

## GearBoss® Elite™ Athletic Locker

These lockers feature open front athletic uniform and equipment storage available in an array of styles and finishes that represent excellence in team room design.

Versatile construction provides for through-bolting to connect side-by-side units, allowing for easy removal of a single locker without disturbing other lockers. Steel base mounting fixture provides natural ventilation and height adjustment to compensate for uneven floors.

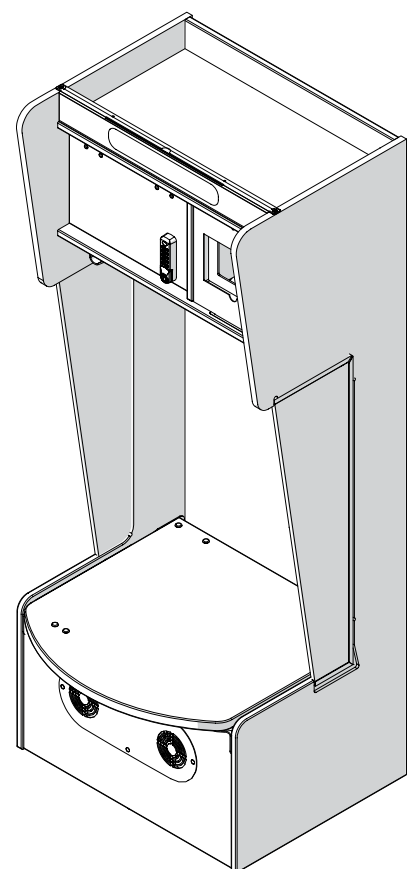
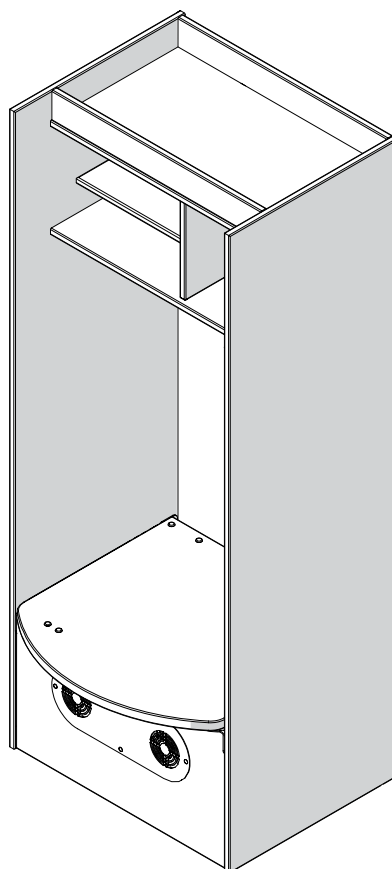
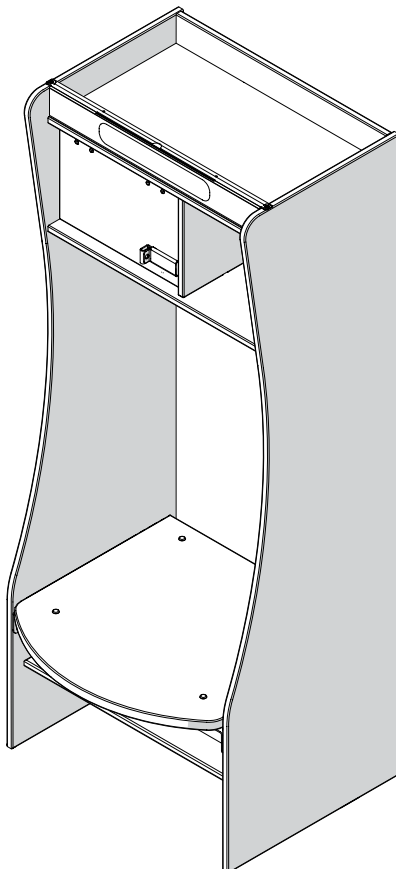
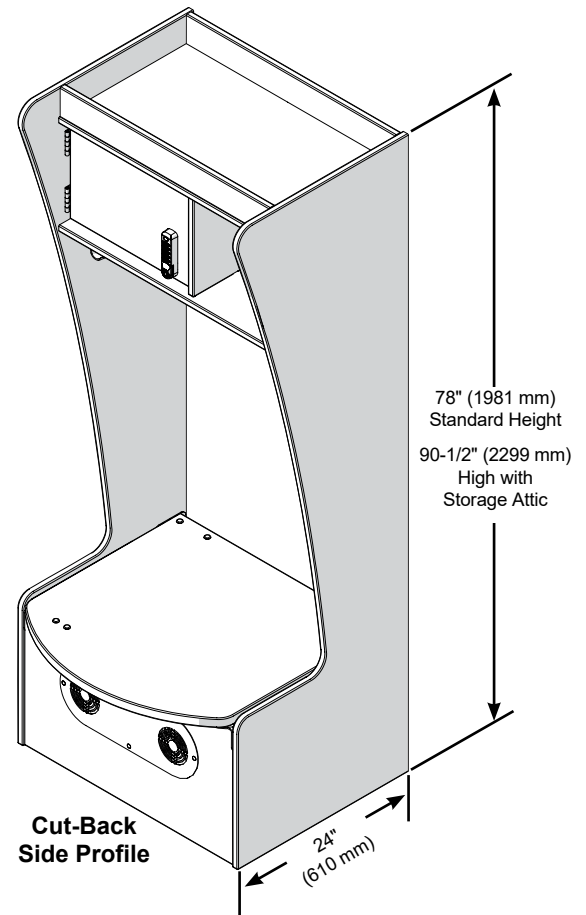
The optional built-in foot locker provides power ventilation to dry cleats, socks and shoes.

Available features and accessories include power ventilated shoulder pad and helmet drying racks, adjustable base, digitally-locked valuables compartment, lighted name plates and electrical outlet.

### Intended Use

The locker provides a cleanable, sanitary and fast drying storage solution in the team room.

The locker is intended for indoor use in normal ambient temperature and humidity conditions - components must not be exposed to prolonged outside weather conditions.



Contour Side Profile

Square Side Profile

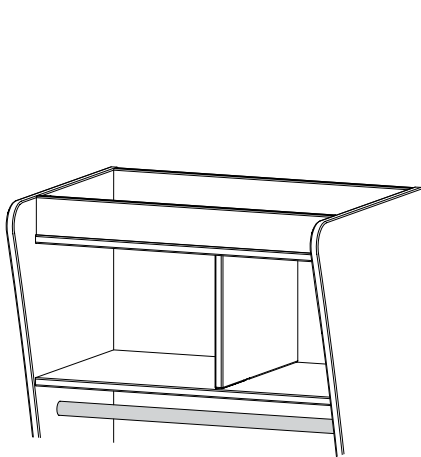
Lighted Side Profile

## Specifications

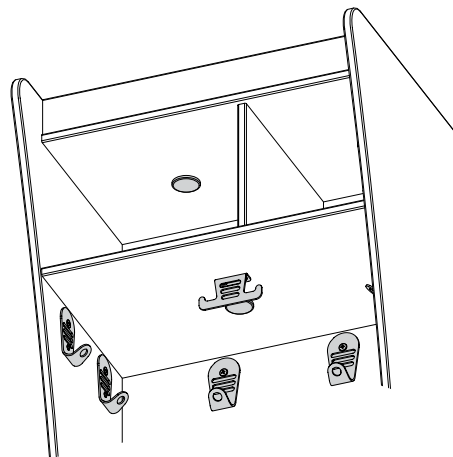
- Product Number: 241F027
- Locker sizes:  
Standard locker height is 78" (1981 mm), 90-1/2" (2299 mm) high with optional storage attic  
18"-36" widths available in 2" increments x 24" deep (457-914 mm widths available in 51 mm increments x 610 mm)  
Depending on overall locker width, a hinged seat can be up to 29-1/2" (749 mm) deep
- Side Profile options are Cut-Back, Straight, Concave or Lighted
- Constructed of 3/4" (19 mm) composite wood core
- Antimicrobial polyester laminates available in Cherry, Graphite, Pebble, Fusion Maple, Wenger Maple, Solar Oak and Oyster finishes.
- Hardware is available in Black or Silver
- Edging is 1/8" (3 mm) beveled PVC
- Each locker seat is rated for 500 lb (227 kg)
- Each garment bar and garment hook is rated for 50 lb (27 kg)
- 12-gauge, powder-coat painted garment hooks
- Vented foot locker
- Leveling powder-coat metal base raises unit from 1" to 2.5" (25 to 64 mm) off floor
- 16-gauge powder-coat painted floor plate
- Zinc-plated levelers
- 16-gauge steel or 3/4" composite wood core nameplate housing
- Low-profile, zinc-plated through-connectors
- ETL certified to meet UL 65 / CSA 22.2 Electrical Standards  
Requires a 120V, 60 Hz, 15A circuit to be connected to the 4" x 4" (102 x 102 mm) electrical junction box of each locker
- Available in four core substrates to meet your specific needs:  
fire-rated, formaldehyde free industrial grade composite wood (standard), moisture-resistant, and Vencore (plywood)
- Shipped ready-to-assemble with detailed instructions, Wenger assembly and installation is optional
- ADA-Compliant options
- Ten-year limited warranty

## Available Options

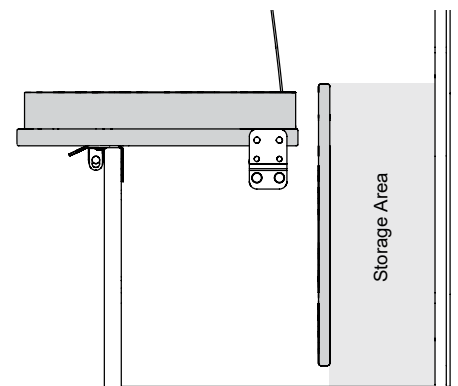
- Helmet and shoulder pad topper (with or without fans)
- Electronics
  - lighted name plate
  - duplex outlet (Standard, GFCI or outlet with USB ports)
  - Two fans in helmet and shoulder pad topper
  - Two fans in enclosed footlocker
- Lockable valuables compartment
  - Programmable digital lock
  - Slide lock for use with padlock (not supplied)
- Lighting
  - in the side panels
  - under the seat
  - inside the cubbies
- Hinged seat and enclosed footlocker with adjustable storage bars
- Hinged seat lock
- Fixed seat and open foot locker
- Behind seat storage
- Garment hooks and garment bar combinations
- Shelf in upper cubby
- Top or side hinged cubby door
- Shelf in open footlocker
- LCD screen ready
- Storage attic



**Garment Bar**

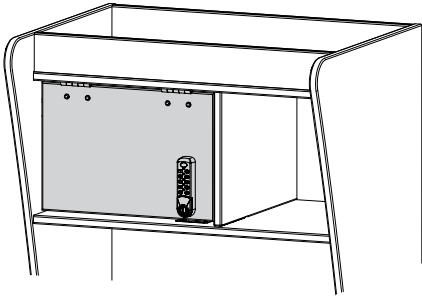


**Garment Hooks and Lights**

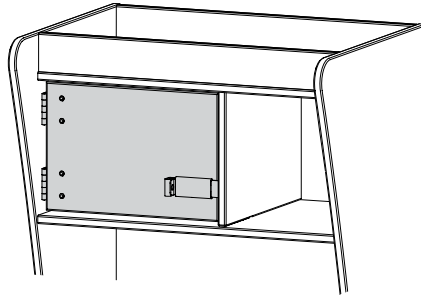


**Behind Seat Storage**

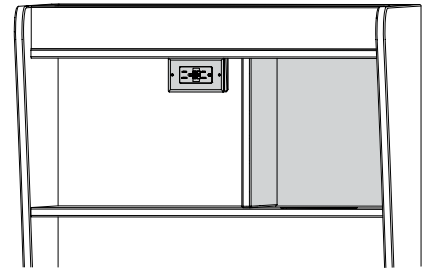
**Available Options (continued)**



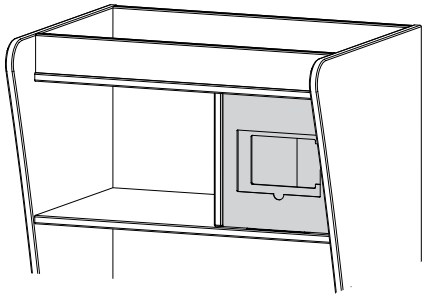
**Top Cubby Hinges  
and Programmable Digital Lock**



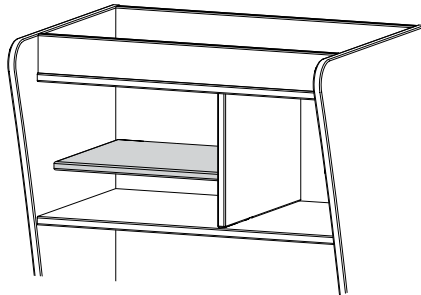
**Left Side Cubby Hinges  
and Slide Lock**



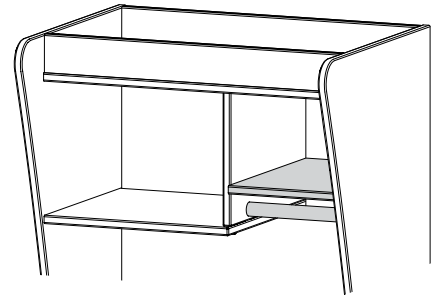
**Cubby with No Door  
and Cubby Outlets**



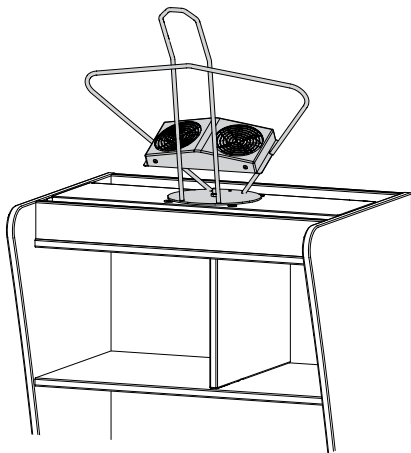
**LCD Screen Ready**



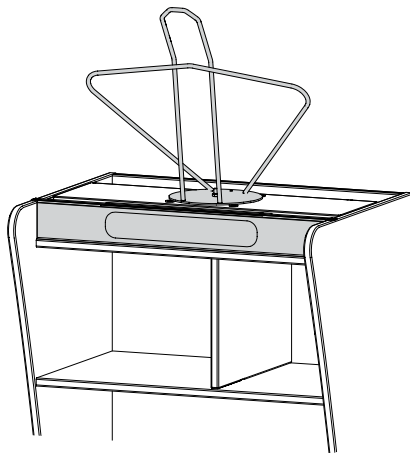
**Cubby Shelf**



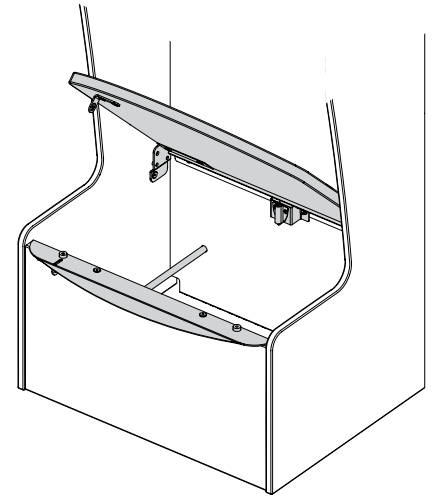
**Half Shelf with Half Garment Bar**



**Football Shoulder Pad/Helmet Topper  
with Fans**



**Football Shoulder Pad/Helmet Topper  
and Lighted Marquee**

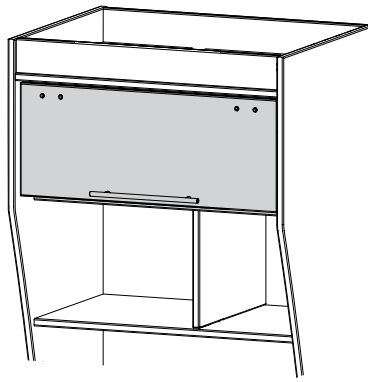


**Hinged Seat, Seat Lock,  
Foot Locker Bar, Light Sensor  
and Outer Foot Locker Light**

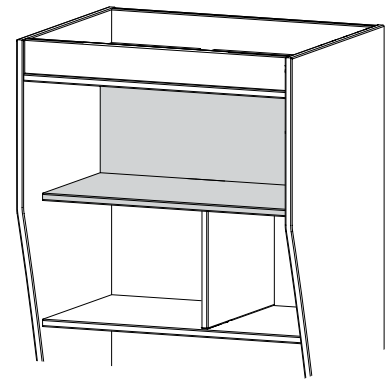
## Available Options (continued)



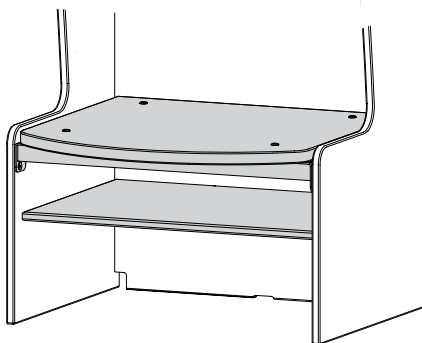
**Storage Attic with Acrylic Door**



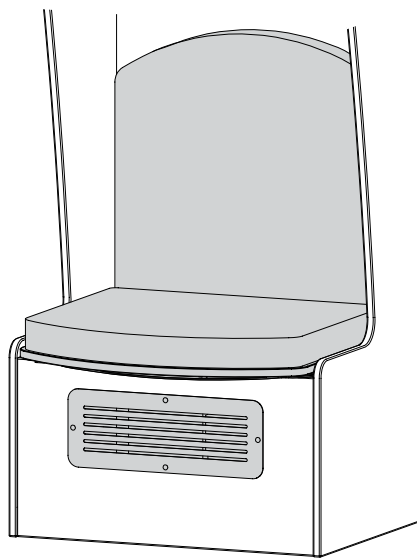
**Storage Attic with Wood Door**



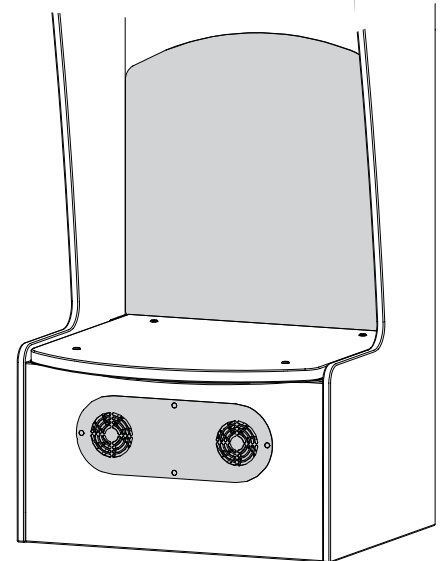
**Storage Attic with No Door**



**Fixed Seat  
and Foot Locker Shelf**



**Padded Seat  
and Passive Air Flow Vent**



**Steel or Diamond Plate Seat Back  
and Foot Locker Fan**

## Installation Requirements

- Lockers should be installed on an unfinished floor, tile or epoxy coated concrete flooring.
- Any additional floor coverings are to be installed after the lockers to avoid interference with the floor levelers.

**Wenger**

**JRCLANCY**

**GEARBOSS**



© 2020 Wenger Corporation  
USA/2020-02

### MUSIC EDUCATION AND PERFORMING ARTS

Owatonna Office: Phone 800.4WENGER (493-6437) Worldwide +1.507.455.4100 | Parts & Service 800.887.7145 | wengercorp.com  
555 Park Drive, PO Box 448 | Owatonna | MN 55060-0448

Syracuse Office: Phone 800.836.1885 Worldwide +1.315.451.3440 | jrclancy.com | 7041 Interstate Island Road | Syracuse | NY 13209-9713

**ATHLETICS** Phone 800.493.6437 | email gearboss@wengercorp.com | gearboss.com | 555 Park Drive, PO Box 448 | Owatonna | MN 55060-0448