

SilencerCo Salvo 12

Field Manual

SALVO 12







We at SilencerCo® hope that you enjoy the technological advancements offered by the Salvo 12™ sound suppressor. To provide for your safety and the effective use of this suppressor, it is critical that the owner and any user of the suppressor read this entire manual and follow strictly the warnings and instructions within. This suppressor is intended to be used only by those who are well-versed in the safe operation of firearms.

MANUFACTURER'S DISCLAIMER

The manufacturer is not responsible for improper usage of this product. This product is potentially dangerous, and, as such, it is the user's responsibility to understand and implement its proper use. If you do not understand the instructions in this manual, please contact the manufacturer for further clarification at (801)417.5384.

SONIC CRACK

The Salvo 12 is designed to suppress the initial muzzle blast and subsequent projectile de-corking pressure. The Salvo 12 does not contact or otherwise interact with the projectile, allowing the projectile to travel at its default speed. Because of this, a sonic crack is produced by the projectile as it breaks the sound barrier. Depending on the geography of the area, the sonic crack may vary in volume. This is solely a function of the projectile breaking the sound barrier and is not related to suppressor performance.

WARNING

Failure to follow installation and maintenance instructions detailed in this manual may result in serious personal injury and damage to the weapon. Firearm sound suppressors are user-attached firearm muzzle devices, and as such are subject to improper attachment issues unless the procedures outlined in this manual are followed precisely. Do not attempt to use this product unless you have specific training and experience in the use of firearms.

Before installing or removing the Salvo 12 sound suppressor from the host weapon, be sure that the weapon is unloaded and the action is opened so that it is visibly clear of any ammunition. If you are at all unsure as to the proper procedures to ensure that your firearm is unloaded, please consult your firearm user's manual/instructions and/or contact a properly licensed dealer or the manufacturer of your weapon.

Because suppressed firearms make less noise than unsuppressed firearms, it is easy to forget that they are still firearms and capable of causing bodily injury and property damage. It is of vital importance to remember that a suppressed firearm is just as dangerous as an unsuppressed firearm, and that the same safe handling requirements still apply.

Failure to follow installation instructions detailed in this manual can result in the potential for serious injury to the user and/or damage to the weapon.

When removing the Salvo 12, use extreme caution as it may be hot to the touch after firing. Use gloves to avoid burns or other injuries.

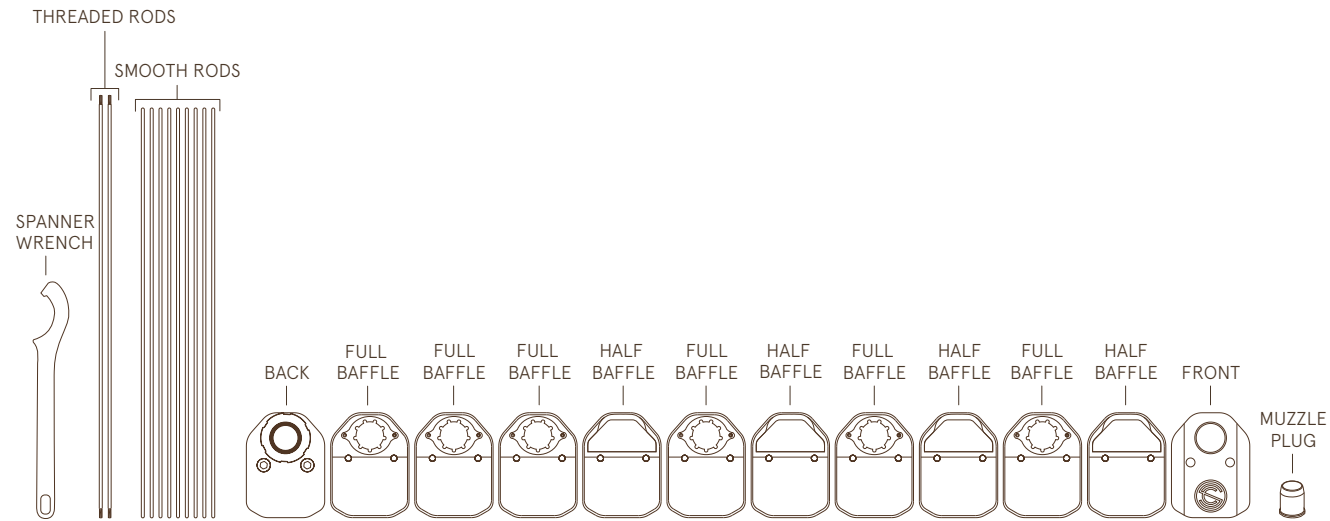
Check the fit between barrel and suppressor before firing! The thread mount must be fully shouldered on the barrel. There should be no visible gap between the barrel shoulder and the face of the suppressor thread mount. If there is any gap DO NOT fire the host with the suppressor attached. Poor accuracy and product damage may result if the suppressor is not fully shouldered.

Assembly and disassembly should never be performed while the suppressor is affixed in any manner to a host firearm. Always completely remove the Salvo 12 from the host firearm before assembly and/or disassembly is attempted.

Before performing maintenance, removing, or installing the suppressor, open the action, ensure firearm is unloaded, and be sure the chamber is empty. Failure to do so can result in property damage, injury, or death.

MADE IN THE USA

The SilencerCo Salvo 12 is the first commercially-viable shotgun suppressor on earth and represents an incredible advance in engineering and technology. Due to the modularity of the Salvo 12, the shooter can remove sections to balance their sound suppression, weight, and length needs. At its full length of 12 inches, it brings sound down to 137 dB at the muzzle — well below the 140 dB threshold level set by OSHA. Pair this sound reduction with a decrease in felt recoil, and after just a few rounds through the Salvo 12 you'll never go back to shooting unsuppressed. Lucky for you, with a variety of Choke mounts available to fit a wide range of hosts, you'll never have to.



PRODUCT SPECS

The Salvo is compatible with the following barrel and ammunition pairings:

BARREL LENGTH	AMMUNITION
10"-16"	2 3/4" SHELL, 1,350 FPS
16"+	3" SHELL, 1,550 FPS

10" is the shortest recommended barrel length.

The Salvo is **ONLY** for use with wadded or slug 12 gauge ammunition.

Each Salvo includes nine smooth bore rods and two threaded rods, as well as a muzzle plug and spanner wrench.

Disassembly and Assembly will require the use of a 5/32" Allen wrench (not included).

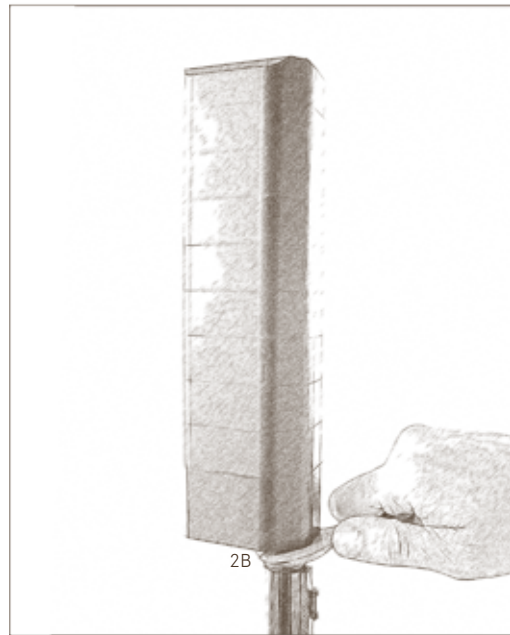
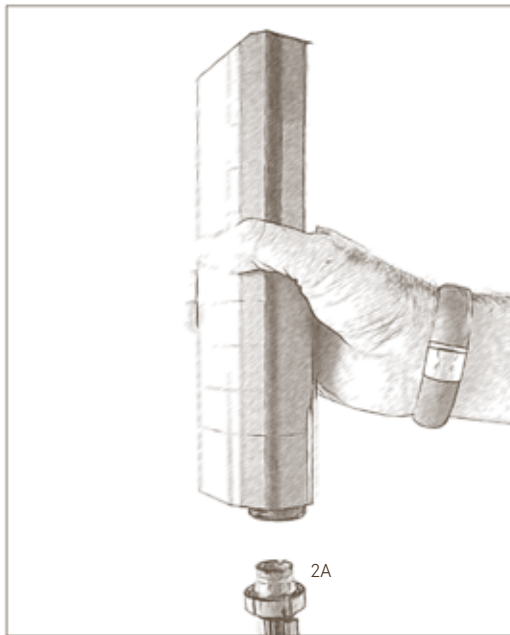
SALVO CHOKE MOUNTS

INSTALLATION:

Screw choke into barrel. Using the spanner wrench provided with your Salvo 12, tighten the choke onto the barrel (1A).

If shooting the firearm with the choke attached, but without attaching the Salvo 12, reverse thread the collar of the choke toward barrel to avoid it hanging loosely from choke.





ATTACHING

Align suppressor with host weapon (2A) and place over front of mount. Once suppressor is seated, screw collar of the choke clockwise, seating it against the back of the Salvo 12. Using the spanner wrench (2B), very firmly tighten the collar of the choke.

Make sure the Salvo 12 is vertically aligned so that the volume of the suppressor hangs directly below the bore line.

Reverse steps for disassembly.

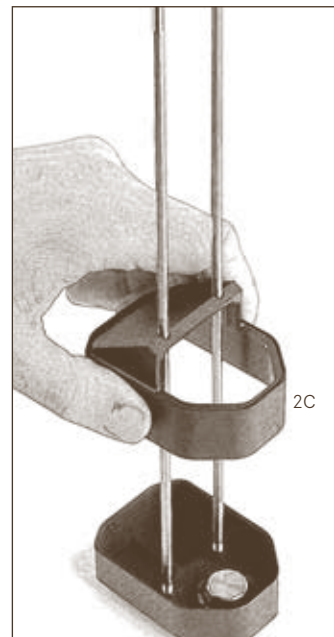
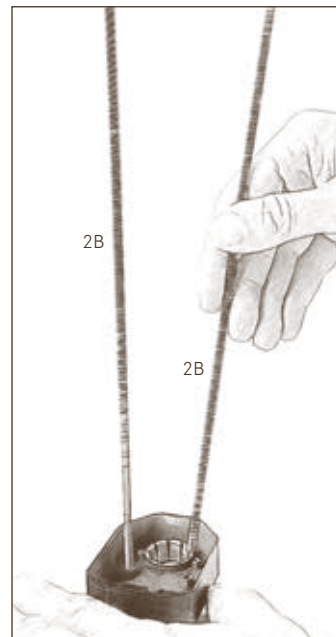
ASSEMBLY 01

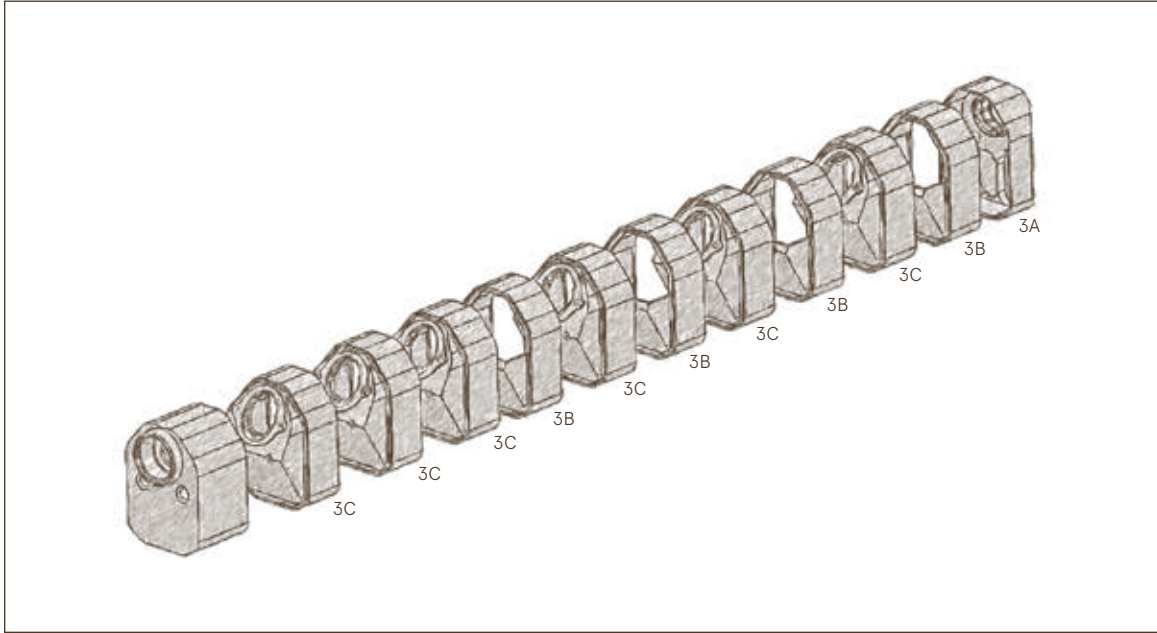
For disassembly, begin at Step 4 and work backwards.

Set muzzle plug (2A) on flat surface. Place front cap on flat surface with muzzle plug centered in front opening. Muzzle plug will ensure front cap remains flat on assembly surface and all rods seat properly. Twist threaded bore rods (2B) into holes on back side of front cap. Once threaded bore rods are inserted, slide baffles (2C) onto rods in order laid out in Step 1 (do not install back cap yet.)

Make sure that you end the assembly with three consecutive full baffles.

NOTE: Ensure all baffles are properly seated together and there are no open seams between them. If reassembling after firing, make sure all tongue and groove fittings are clear of debris (see cleaning instructions.)





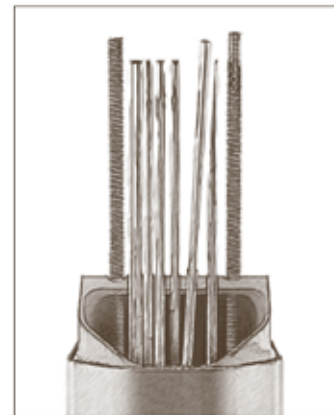
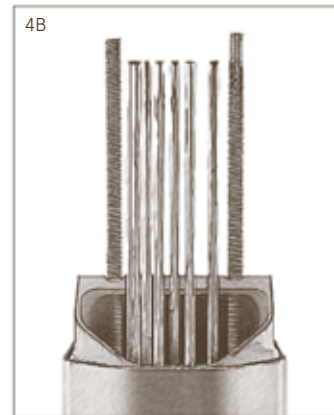
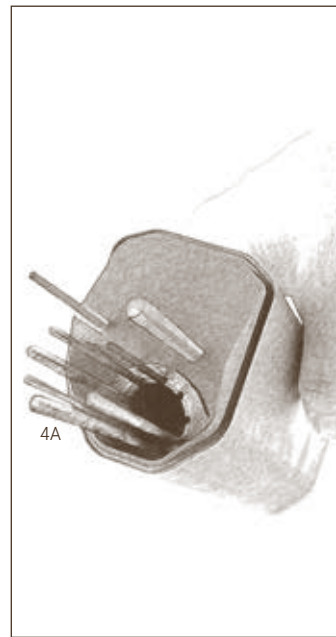
ASSEMBLY 02

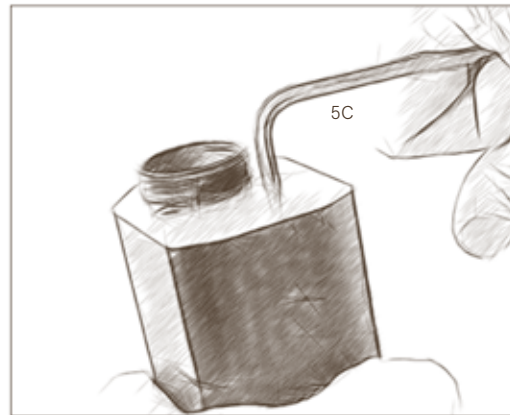
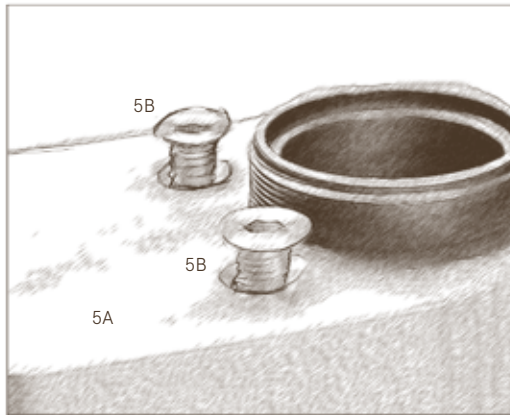
Assemble in the following order: front cap (3A), half baffle (3B), full baffle (3C), half baffle (3B), full baffle (3C), half baffle (3B), full baffle (3C), half baffle (3B), and then three full baffles (3C).

Do not install back cap until Step 4

ASSEMBLY 03

Insert smooth rods (4A) into baffle rod alignment notches surrounding bore, taking care to verify all smooth rods are sliding into baffle holes perfectly. Smooth Rods do not need to be inserted in any particular order. Rods should all be at same height and angle when inserted properly (4B).





ASSEMBLY 04

Install back cap (5A). Screw in two back cap nuts (5B) alternating between the two nuts as you tighten to 45 in-lbs (5C). After back cap is installed, glance down bore to ensure all rods are in alignment.

CLEANING

SilencerCo suggests cleaning the Salvo 12 after firing 1,200 or fewer rounds. It is recommended that no more than 2,000 rounds are fired through the Salvo 12 between cleanings.

Plastic debris will need to be cleaned from the rods and the tongue and groove fitting of the baffles. To clean the fitting, a non-abrasive wooden or plastic pick is recommended.

Soaking the rods overnight in shotgun cleaning solution (such as Brownell's Shotgun Wad Solvent) should loosen and remove plastic debris without issue.

Aluminum parts, such as the baffles, should not be soaked in solvent due to the potential for damage to the finish. To clean the baffles, we recommend using a damp cloth or non-abrasive brush to gently wipe or scrub away debris. Should additional cleaning advice be required, contact SilencerCo Customer Service.

LIMITED LIFETIME WARRANTY

REPAIR POLICY

Should the silencer require repair or modification, the owner should contact SilencerCo either in writing or by telephone. Many problems can be handled without having to return the product. If it is determined that the product needs to be returned for repair or modification Contact SilencerCo customer service (801)417.5384 where an RMA number will be provided. Do not return the suppressor to SilencerCo until you have contacted customer service as an RMA code must be provided.

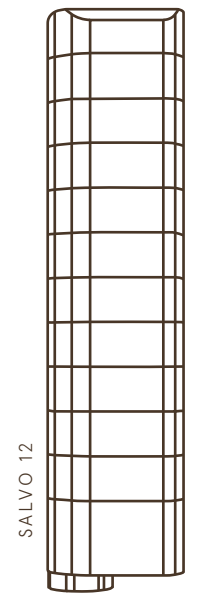
If repairs are required due to a defect in manufacturing or materials, there will be no charge for repairs.

LIMITATIONS TO WARRANTY: THIS WARRANTY DOES NOT COVER DAMAGE TO THE SUPPRESSOR OR THE HOST FIREARM RESULTING FROM CARELESS OR IRRESPONSIBLE HANDLING, ADJUSTMENTS OR MODIFICATIONS TO ITS DESIGN, NEGLIGENCE, OR OTHER ABUSE. SILENCERCO ASSUMES NO LIABILITY WHATSOEVER FOR UNSAFE USE OF THE SUPPRESSOR OR ILLEGAL USE BY ITS PURCHASER OR ANY OTHER PERSON THAT COMES IN CONTACT WITH THE PRODUCT AFTER PURCHASED. SILENCERCO ASSUMES NO RESPONSIBILITY FOR PHYSICAL INJURY OR PROPERTY DAMAGE RESULTING FROM CARELESS OR IRRESPONSIBLE HANDLING AND/OR USE, OR BY ANY USE CONTRARY TO THE RECOMMENDATIONS, WARNINGS, AND CAUTIONS GENERALLY LISTED IN THIS MANUAL. SILENCERCO DOES NOT COVER DAMAGE TO THE SUPPRESSOR OR THE HOST FIREARM RESULTING FROM IMPROPER HAND-LOADED OR RELOADED AMMUNITION OR DEFECTIVE AMMUNITION.

Subject to any restrictions set forth herein, SilencerCo agrees to replace and/or repair the Salvo 12 for an unlimited amount of time. This warranty covers repair, service, and replacement of damaged product caused by normal use, free of charge, only if performed at a SilencerCo facility.

Should a silencer require repair, the owner must contact SilencerCo and make arrangements to return the product. Customer must return damaged product with a legible copy of the approved ATF form and a legible written description of the problem, defect, and/or malfunction. Please include in written description the serial number of the product and the events leading up to the issue, including what ammunition has been used and any host weapons that have been used.

If SilencerCo determines, at its sole and absolute discretion, that a returned suppressor is not covered under this warranty, for any reason, you may purchase a replacement product at 75% off the suggested retail price.



SALVO 12

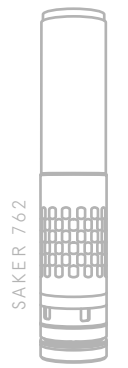
SHOTGUN SUPPRESSOR



HARVESTER BIG BORE 338



HARVESTER 30



SAKER 762



SAKER 556



SPECWAR 762



SPECWAR 556



CENTERFIRE RIFLE SUPPRESSORS



OSPREY 45



OSPREY 40



OSPREY 9



OCTANE 45



OCTANE 9

PISTOL SUPPRESSORS



SPARROW 22



SPECTRE 22



WARLOCK 22

RIMFIRE SUPPRESSORS



Register Your SilencerCo Product & Receive a
Free Personalized Dog Tag

WWW.SILENCERCO.COM/PRODUCT-REGISTRATION



Follow Us

JOIN ASA TODAY

PROTECT YOUR RIGHTS | PROTECT YOUR HEARING





The American Suppressor Association
is fighting to protect and expand your
suppressor rights. Join the fight today!

Become a member at:

www.ASAMEMBER.com

Contact us at:

info@americansuppressorassociation.com

Find Us Online



TWITTER.COM/SILENCERCO



FACEBOOK.COM/SILENCERCO



@SILENCERCO



YOUTUBE.COM/SILENCERCO

Note: If you have any questions whatsoever about whether you are performing the assembly, disassembly, or cleaning of the suppressor properly and in accordance with these instructions, you may contact SilencerCo customer service by phone at 801-417-5384 or via email at info@silencerco.com

For a list of available mounts and suppressors visit silencerco.com/salvo

© 2014 SilencerCo, LLC. All rights reserved. The contents of this publication may not be reproduced in any form or by any means in whole or in part without the prior written permission of the copyright owner.