

EXHIBIT A, U.S. Registration No. 1,869,215 for "CRESTLINE," along with the specimen showing how the mark is actually used

Int. Cls.: 6 and 19

Prior U.S. Cl.: 12

United States Patent and Trademark Office

Reg. No. 1,869,215

Registered Dec. 27, 1994

**TRADEMARK
PRINCIPAL REGISTER**

CRESTLINE

SNE ENTERPRISES, INC. (DELAWARE COR-
PORATION)
ONE WAUSAU CENTER
P.O. BOX 8007
WAUSAU, WI 544028007

FOR: ALUMINUM CLAD WINDOWS, SKY-
LIGHTS AND DOORS, IN CLASS 6 (U.S. CL.
12).

FIRST USE 2-9-1993; IN COMMERCE
2-9-1993.

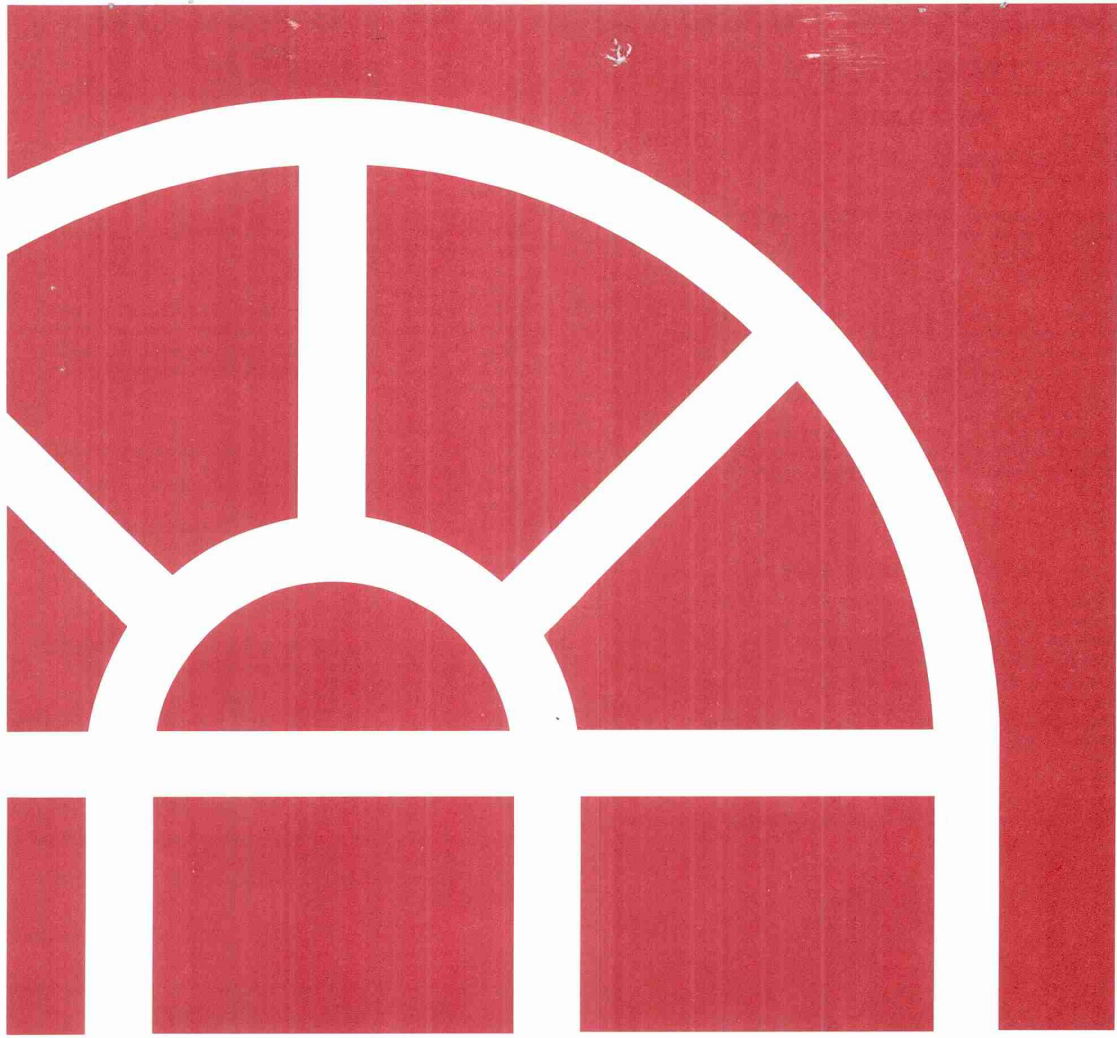
FOR: WOOD WINDOWS, SKYLIGHTS,
DOORS AND VINYL CLAD WINDOWS, IN
CLASS 19 (U.S. CL. 12).

FIRST USE 1-14-1993; IN COMMERCE
1-14-1993.

OWNER OF U.S. REG. NO. 698,404.

SER. NO. 74-448,478, FILED 10-14-1993.

ANGELA M. MICHELI, EXAMINING ATTOR-
NEY



TM

Crestline

Windows & Doors

CRESTLINE CASEMENT / AWNING WINDOW

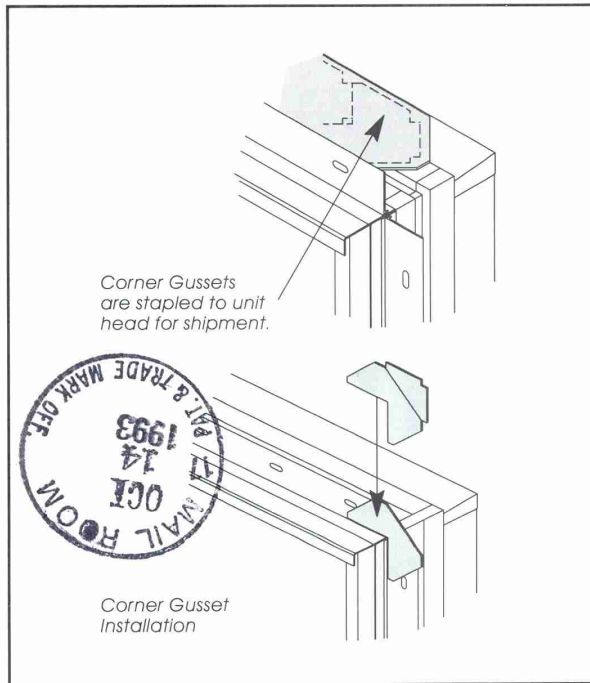
CONTEMPORARY

INSTALLATION

- A. Rough Opening
1. Check to be sure opening is proper size.
 2. Sill plate must be level.
- B. Unit
1. Open operating sash and remove vinyl shipping spacer from bottom rail (awning units have two spacers).
 2. Check unit operation.
 3. Close and lock sash.
- C. Unit installation
1. Be sure frame is level, plumb and square before nailing. Side jambs should be shimmed to a true vertical alignment to insure proper, uniform opening for sash widths. Sill must be shimmed level to assure sealing of sash.
 2. Check diagonally corner to corner for squareness. Jambs should be the same distance apart at all points.
 3. Do not crowd frame in the opening! Check squareness before and during nailing. Insulate behind jambs and under the sill.
 4. Nail through Brickmold into stud 2" from each end and 8"-10" on-center.

PAINTING INSTRUCTIONS

1. This unit should be painted with a quality topcoat within 30 days after installation following paint manufacturer's instructions.
2. **DO NOT PAINT HARDWARE OR WEATHERSTRIPPING.** Paint will seriously affect their efficient operation.
3. Be sure all operating hardware is clean and free from paint, plaster or foreign materials.
4. Interior of sash and frame are factory stained ready to be clear finished, restained or painted without additional preparation.



CRESTCLAD®

INSTALLATION

- A. Rough Opening
1. Check to be sure opening is proper size.
 2. Sill plate must be level.
- B. Unit
1. Open operating sash and remove vinyl shipping spacer from bottom rail (awning units have two spacers).
 2. Check unit operation.
 3. Close and lock sash.
 4. Lift two adjacent installed nailing fins to an upright position and apply adhesive backed foam corner gusset to exterior face of adjacent nail fins. Fold outer edge of corner gusset over interior face of nail fins. See installation detail below. Repeat for three remaining corners.
- C. Unit installation.
1. Center unit in opening.
 2. Nail one bottom corner (using 1 3/4" roofing nails) through nailing fin.
 3. Level unit and nail opposite bottom corner.
 4. Square unit. Check the bottom rail reveal across the sill.
 5. Nail top corners.
 6. Shim behind side jambs. (Be sure unit jambs are not bowed in or out.)
 7. Sill must be shimmed level to assure sealing of sash.
 8. Check squareness of unit and complete nailing through nailing fins with 1 3/4" roofing nails, spaced not more than 10" apart.
 9. After exterior finish (siding, etc.) is applied, caulk around complete perimeter of unit.
 10. Insulate behind jambs and under sill (be careful not to bow jambs in). For best energy savings, tape space between frame and studs before trim is applied.

CRESTCLAD® FINISH

The exterior aluminum Crestclad requires no additional finish. Touchup kits to repair any minor damage or scratches are available from your Crestline Dealer.

Interior of sash and frame are factory stained ready to be clear finished, restained, or painted without additional preparation.

CAUTION: This window is glazed with annealed glass and should be handled with care.

312-004-0193

THIRD PARTY CERTIFICATION

MANUFACTURER
Crestline, SNE Enterprises, Inc.
A PLY GEM Company
P.O. Box 8007
Wausau, WI 54402-8007

LISTED BY:
ETL Testing Laboratories, Inc.
Industrial Park
Cortland, NY 13045



The ETL logo found on Crestline product labels indicates compliance to ETL Testing Laboratories' certification requirements. ETL is a nationally recognized independent third party testing and certification agency approved by the Department of Housing and Urban Development (HUD).

ETL certifies Crestline products have been tested by an independent laboratory to National Wood and Door Association Industry Standards (NWWDA I.S.) as referenced in HUD minimum standards.

Water Repellent Preservative Treated in accordance with I.S. 4 NWWDA Lic. No. 184. Copies of warranty are available at your Crestline Dealer.