



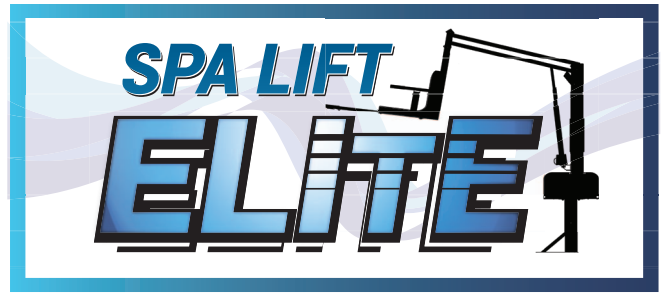
THE LEADERS IN RECREATION, FITNESS, AND ABILITY!

9889 Garrymore Ln

Missoula, MT 59808

888-687-3552 | +1-406-549-0769

www.aquacreek.com



PART #: F-006SLE-02

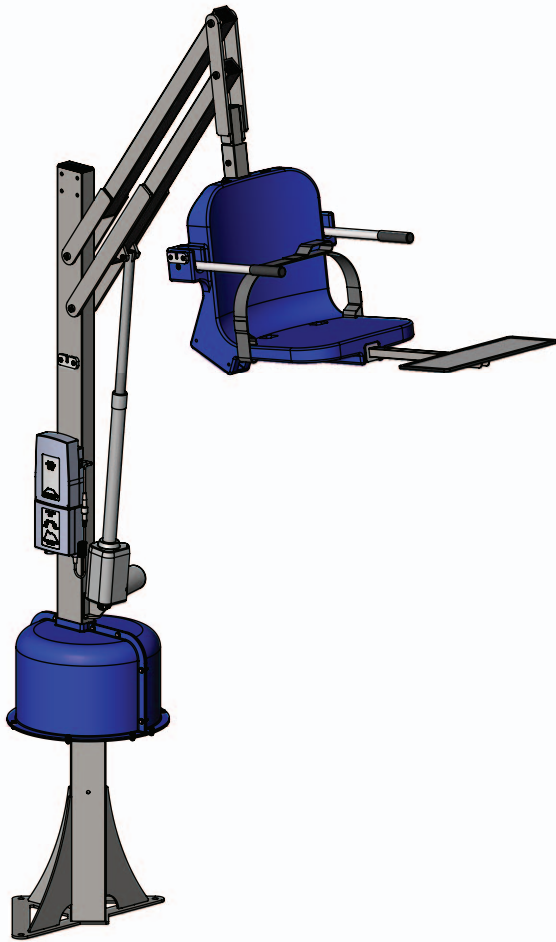
US PATENT NUMBER: [D507,769 S]

300 LB. [136 kg] MAXIMUM WEIGHT CAPACITY

FOR INDOOR OR OUTDOOR USE

MANDATORY

LEAVE THIS MANUAL WITH LIFT OWNER



READ CAREFULLY

Check entire box and inside all packing materials for parts. Before beginning assembly, read the instructions and identify parts using the figures and parts listed in this document.

It is critical all parts be carefully inspected by the installer prior to installation to ensure no damage occurred in transit and a damaged part is not used. If any damage occurred in transit, Aqua Creek Products, LLC must be notified within three days of receipt of unit.

Proper installation cannot be overstressed, as an improper installation voids Aqua Creek's warranty and may affect the safety of the user.

Spa Lift Elite

IMPORTANT SAFETY INSTRUCTIONS



When installing and using this electrical appliance, basic precautions should always be followed, including the following:

READ ALL INSTRUCTIONS BEFORE USING

WARNING - To reduce the risk of injury, do not permit children to use this product unless they are closely supervised at all times.

This appliance is not intended for use by persons (including children) with reduced physical, sensory or mental capabilities, or lack of experience and knowledge, unless they have been given supervision or instruction concerning use of the appliance by a person responsible for their safety.

A wire connector is provided on the unit to connect a minimum 8 AWG (8.4mm²) solid copper conductor between this unit and the means for local equipotential bonding.

Check the unit periodically for signs of deterioration: Keep all nuts, bolts and screws tight to be sure the lift is in safe working condition.

SAVE THESE INSTRUCTIONS

Affix supplied ADA POOL/SPA LIFT sign in a location visible from the lift at all times.

Rechargeable batteries are to be removed from the appliance before being charged. Batteries are to be inserted with the correct polarity. If the appliance is to be stored unused for a long period of time, the batteries should be removed. The supply terminals are not to be short-circuited.

REDUCE THE RISK OF DROWNING!

Supervise children at all times.

No jumping or diving from the lift.

Seat may be hot, use caution when entering.

Keep covered when not in use. Inspect and clean before use.

INDOOR BATTERY CHARGER:

AMPERAGE = 0.65 FREQUENCY = 60

24 VOLT BATTERY

AMPERAGE = 8 IP RATING = IPX5

Spa Lift Elite

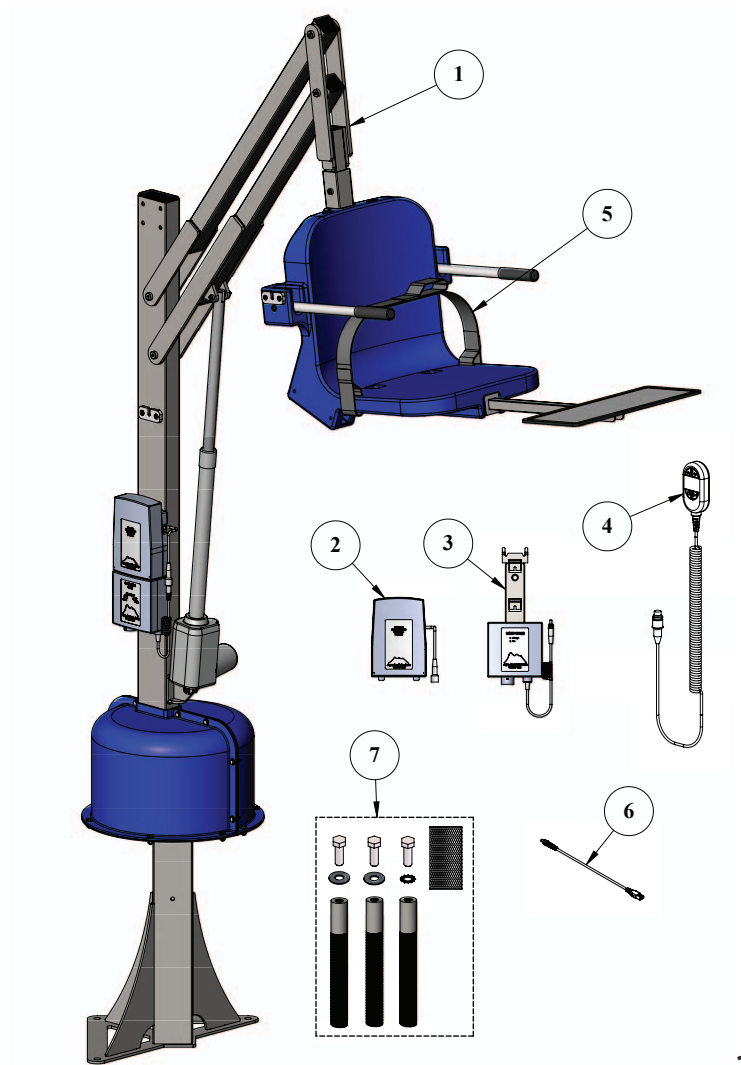
Table of Contents

PAGE	DESCRIPTION	PAGE	DESCRIPTION
3	Spa Lift Elite Components	9	Pinch Point Locations
4	Anchor Installation	10	Proper Care and Maintenance
5-6	Installation and Assembly	11	Spa Lift Elite Parts List
7	Basic Troubleshooting	12	Seat Assembly Parts List
8	Battery Test Cable Instructions	13	Warranty

Spa Lift Elite Components

1. Spa Lift Elite
2. 24 Volt Battery
3. Battery charger with mounting plate & power cord
4. Handset Remote
5. Safety Belt
6. Battery Test Cable
7. Hardware bag with anchor inserts & anti-seize (if ordered w/ anchor)

NOTE: For wood deck applications refer to Wood Deck Anchor Manual (F-107UEWDA)



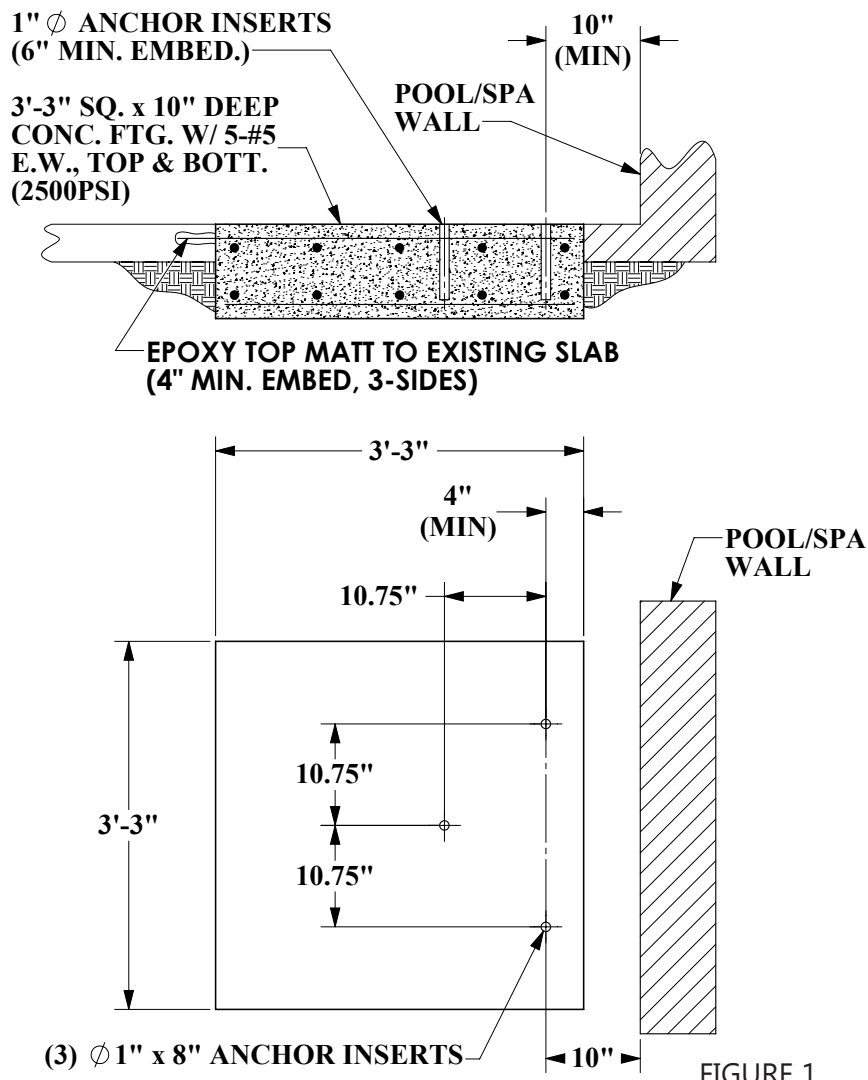
Anchor Installation

You will need:

- Hammer
- 1 1/8" Masonry Bit
- Drill
- Marker/Chalk

Before installing the lift, determine where to place the lift on the deck. Locate the lift as close to the pool/spa as possible to ensure that the seat arm clears the pool/spa wall. As shown in FIGURE 1 below, the lift must be a minimum of 10" from the front anchor holes to the pool/spa wall. Also, allow enough room for the seat arm to swing around away from the pool/spa. Refer to the specifications for lift dimensions.

1. If ordered with lift, the Spa Lift Elite is shipped with three (3) 8 inch anchor inserts. Make a mark on the deck with a marker or chalk at each anchor location.
2. Using the 1 1/8 inch masonry bit, drill a hole in the concrete deck to a depth of 8 1/2 inches at each of the three anchor locations. The holes must be drilled perpendicular to the deck or the bolts will not thread into the anchors. Once the holes have been drilled to the proper depth, clean all debris out of the anchor holes.
3. Fill each hole half full with Hilti™ brand HIT RE-500-SD or Simpson™ brand SET-XP, or equivalent. Thread a 1/2 inch hex bolt into each anchor and then insert the anchor into the hole, twisting as you go, until the anchor is flush with the deck. Clean off any excess epoxy from around the hole and make sure not to get any epoxy on the 1/2 inch threads.
4. Bond the anchor according to local code requirements using the bonding screw on the bottom of one of the anchor inserts. Reference the National Electric Code (NEC) Article 680.26 for specifics on bonding.



Spa Lift Elite Installation and Assembly

1. Once the anchor inserts have been installed, the base weldment can now be secured to the deck using the 1/2 inch hex bolts and washers. See FIGURE 2.

2. Attach the mast assembly to the base, as shown in FIGURE 3, using the 3/8 inch nylock nuts and flat washers. This may require two people.

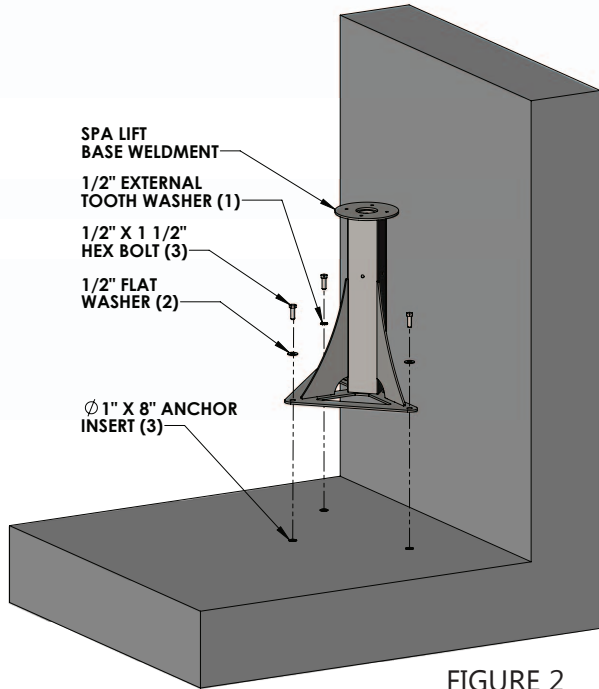


FIGURE 2

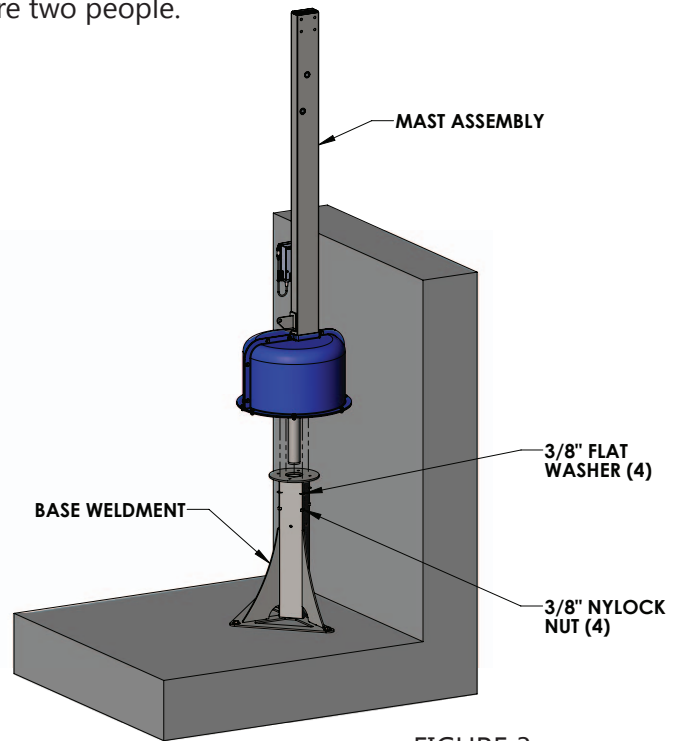


FIGURE 3

3. Attach the lifting arm (identified by the two actuator mounting tabs opposed to the control arm which has no tabs) to the mast assembly using the 1/2 inch shoulder bolt and 3/8 inch nylock and flat washer. Be sure the actuator mounting tabs on the lifting arm are facing downward. See FIGURE 4.

4. After the lifting arm is secured to the mast, attach the actuator to the mast and the lifting arm with the 3/8 inch shoulder bolts and 5/16 inch nylocks and flat washers as shown in FIGURE 5. Make sure the actuator head faces the opposite direction of the control box. If rotated the other way, the actuator head might hit the mast.

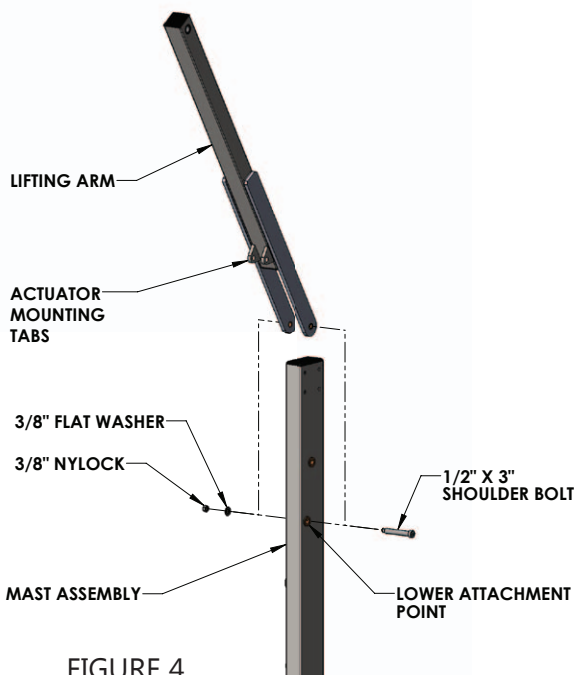


FIGURE 4

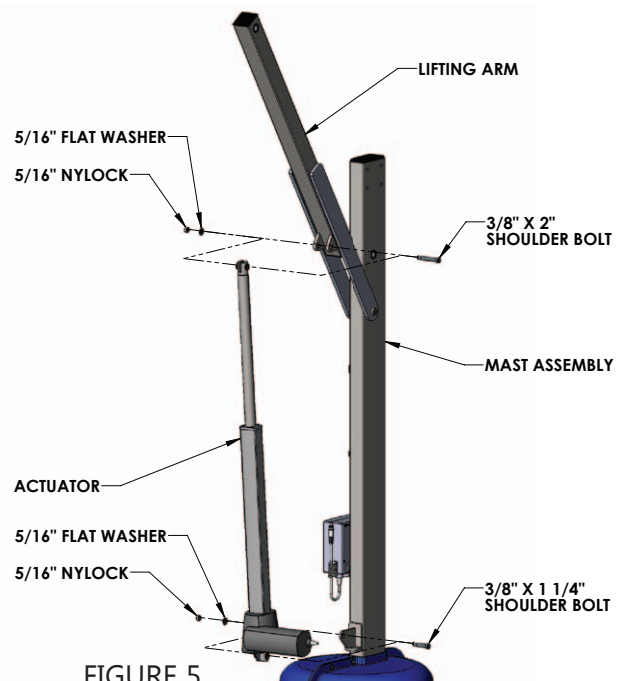


FIGURE 5

Spa Lift Elite Installation and Assembly

5. Connect the control arm to the mast using the 1/2 inch shoulder bolt and 3/8 inch nylock and flat washer, as shown in FIGURE 6. Careful not to scratch the control arm on the lifting arm while attaching.

6. Connect the chair arm assembly to the lifting and control arms using the 1/2 inch shoulder bolts and 3/8 inch nylocks and flat washers. This may require two people. See FIGURE 7.

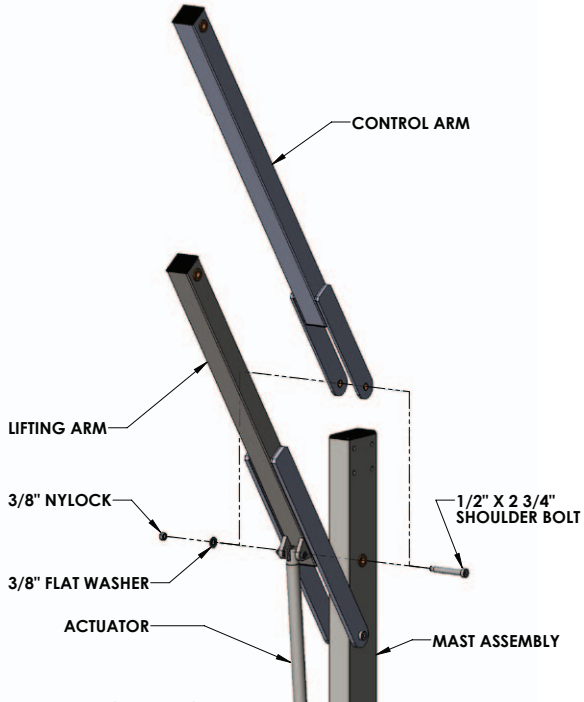


FIGURE 6

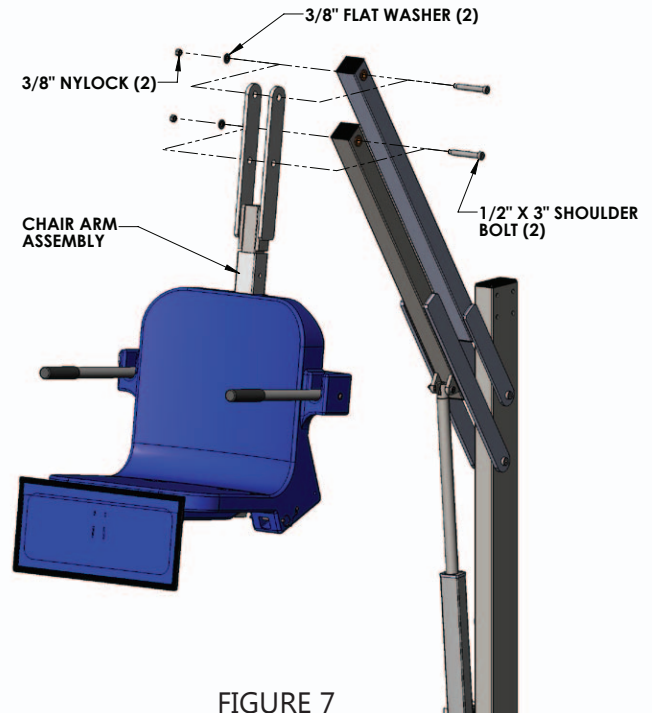


FIGURE 7

7. Attach the safety belt to the chair, as shown in FIGURE 8.

8. The Spa Lift Elite is now assembled and ready for use! Be sure the battery is fully charged. FIGURE 9 shows completed assembly mounted on a spa deck. NOTE: With the lift fully assembled, run the lift fully out and back in 3-5 times, without weight, for the lifts "break in" cycle period.

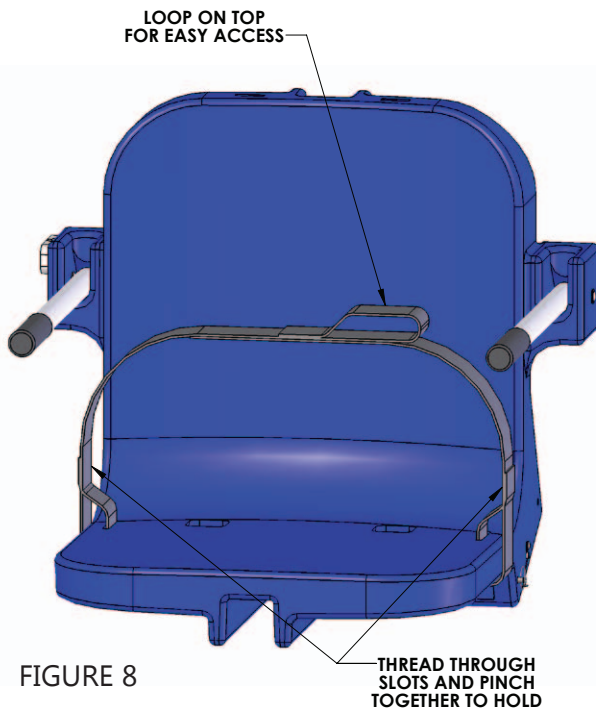


FIGURE 8

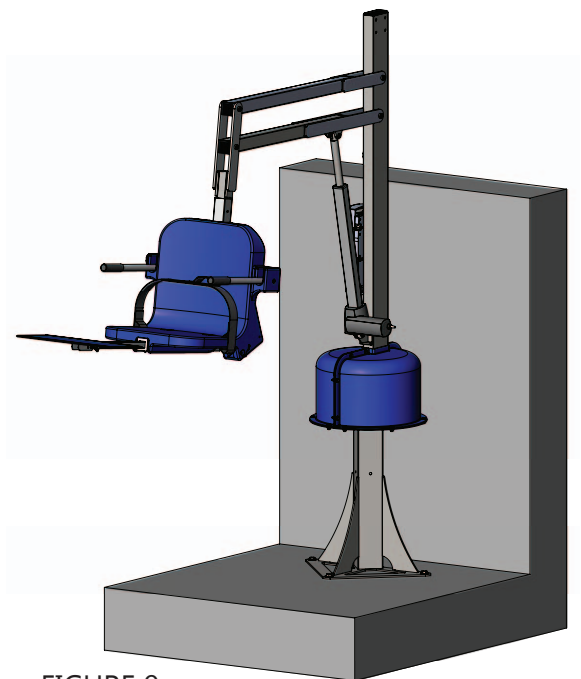


FIGURE 9

Basic Troubleshooting

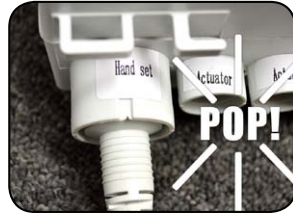
Problem: The lift won't move.

Solution:

1. Make sure the cords are properly plugged in:



NOT Properly Inserted:
The cord plug is flush with or sticking out of the outlet



Properly Inserted:
The cord plug is recessed into the outlet

Check the ends of the cords for corrosion or damage. The cord plugs should be recessed into the outlet. You should feel them pop into place when they are correctly inserted.

2. Check the contact points:



Make sure the contact point of the control box and the battery are not damaged or corroded. If there is corrosion clean with Scotch-Brite™ pad. Put some dielectric grease on the contact points before reattaching the battery.

3. Make sure the battery is fully charged:



The Charger is ON when the green light is glowing

The Battery is CHARGING when the orange light is glowing

When the Battery is fully charged the orange light will stop glowing

Problem: The lift stopped moving and is stuck.

Solution:

1. Press the Emergency button

Press the emergency retract button on the front of the control box to retract the lift.

Note: the lift will not retract if the battery is not fully charged or if the control box is not working. The emergency button only overrides the remote handset.



For troubleshooting videos Visit: www.aquacreek.com or scan the QR Code below using your smartphone.

FOR TROUBLESHOOTING ASSISTANCE

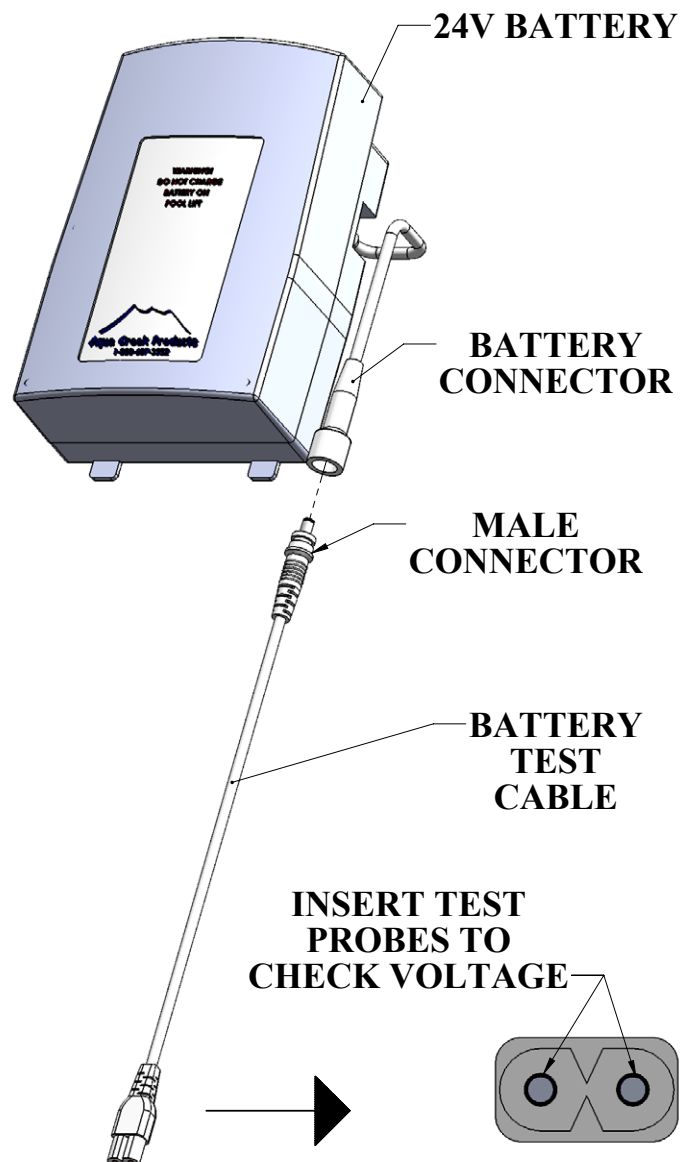


Note: If you feel your lift is malfunctioning due to a faulty battery or connections, contact Aqua Creek Products for a testing kit.

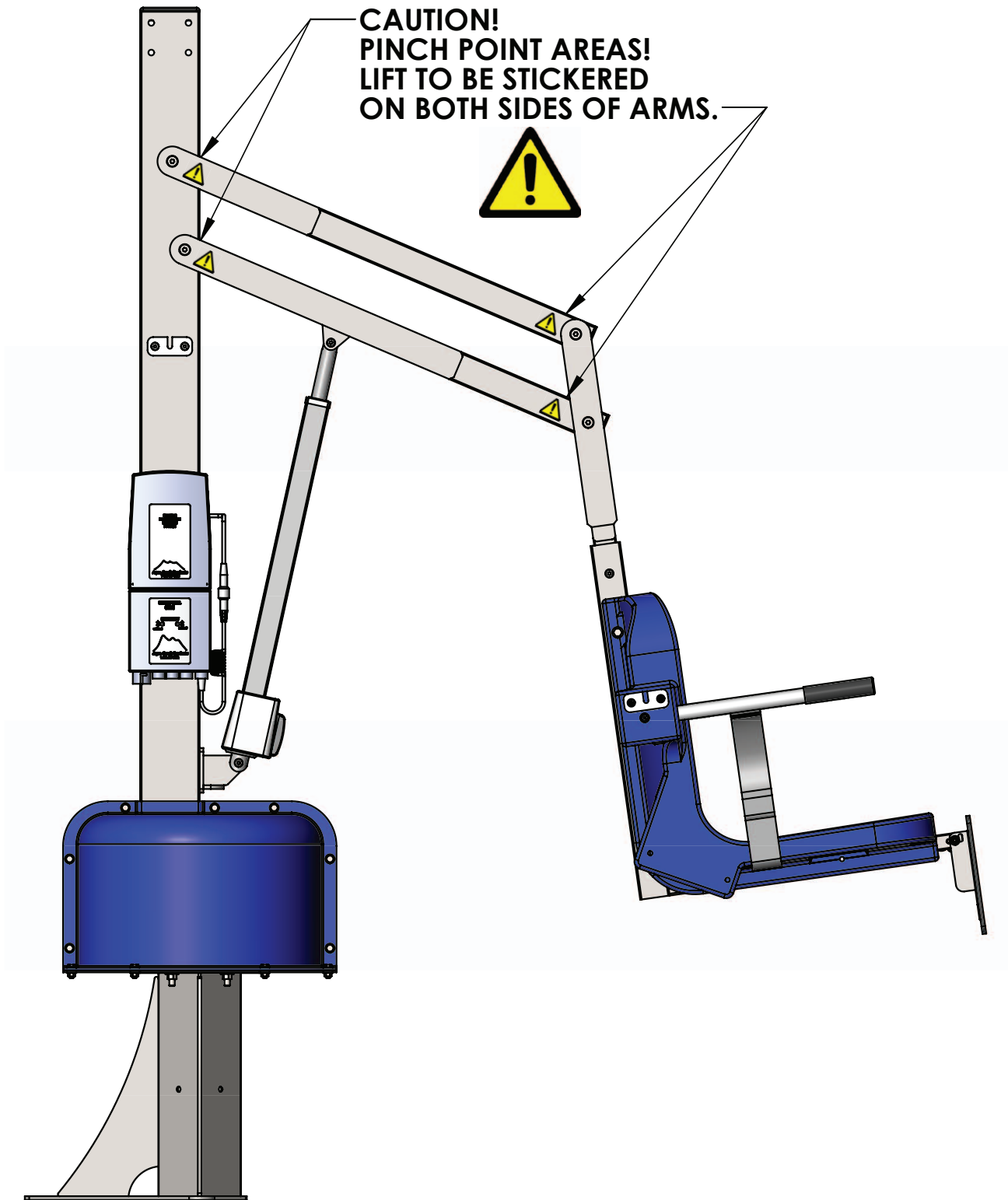
Battery Test Cable Instructions

WARNING! DO NOT ATTEMPT TO DIRECTLY PROBE THE BATTERY CONNECTOR TO TEST VOLTAGE. THIS MAY CAUSE PERMANENT DAMAGE TO THE BATTERY! USE THE SUPPLIED BATTERY TEST CABLE ONLY FOR CHECKING THE BATTERY VOLTAGE!

The Aqua Creek 24V battery has a cable and connector for connecting to the control box or to the battery charger. The battery connector is not suitable to check the battery voltage, as it is very hard to probe the connector without shorting-out the battery, which will cause damage. For this reason, a separate battery test cable is provided. To safely check the battery voltage, use a voltmeter or multimeter with standard test probes, and insert the probes into the test cable as shown below.



Pinch Point Locations



Proper Care of Pool & Spa Lifts

We recommend you place this page next to your charger

PROCEDURE	BEFORE EACH USE	DAILY	WEEKLY	MONTHLY
Check battery level indicator on control box	✓			
Run the lift through a complete test cycle (fully extend actuator) to verify it is functioning properly	✓			
Wash lift with fresh water and dry with clean, soft, non-abrasive cloth		✓		
Recharge battery		✓		
Visually inspect lift for damage, corrosion, and loose or missing hardware		✓		
Check all contact points for damage and/or corrosion			✓	
Repair, clean and apply dielectric grease to all contact points			✓	
Thoroughly clean lift frame and apply a liberal coat of car wax to maintain the lift's finish				✓
Check all Warning and Cautionary labels to make sure they are not faded or worn. Replace as needed.				✓

PROPER CARE NOTES

- **Use only fresh water to wash your lift. Do not wash with pool water**
- Use only clean, soft, non-abrasive cloths to wipe down your lift
- Do not store lift in pump room or near chemicals
- Do not allow children to play on or around this lift
- When cleaning the lift do not spray water directly on control box or battery

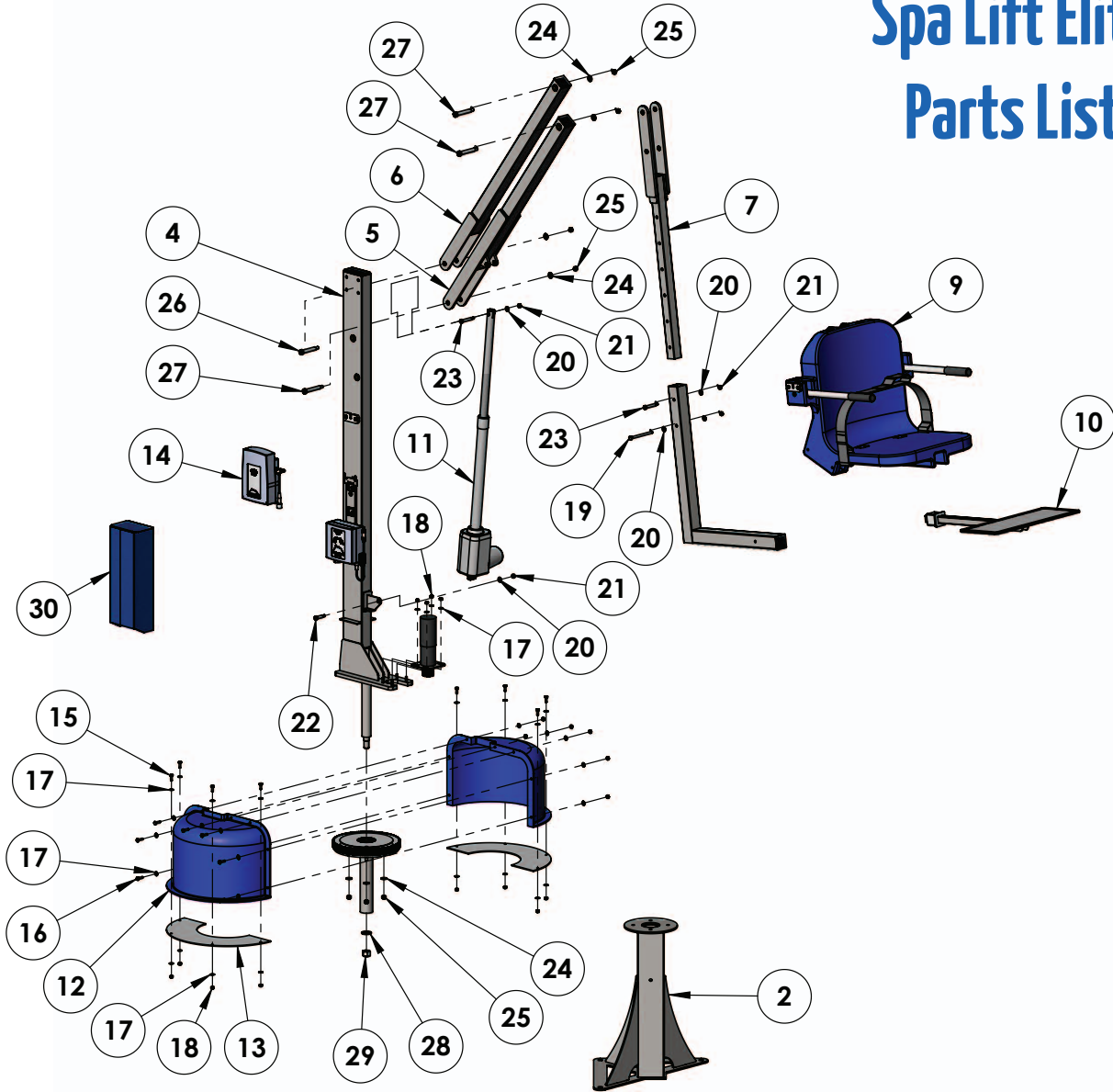
STAIN REMOVAL TIPS:

To remove stains wash affected area with mild dish soap. For stubborn spots and stains try using soft scrub with some brisk rubbing. Use white epoxy paint to touch up. Apply wax to finish.

BATTERY MAINTENANCE:

1. RECHARGE THE BATTERY AS OFTEN AS POSSIBLE. The battery power unit is a sealed lead acid battery pack. Frequent recharges will prolong the battery life and maintain a high cold amperage capacity. THE BATTERY SHOULD BE STORED ON THE CHARGER WHEN NOT IN USE.
2. Do NOT expose the battery to freezing temperatures.
3. Do NOT expose the battery to prolonged periods of extreme heat or severe cold temperatures.
4. Do NOT expose the battery to long periods of direct sunlight. Heat will shorten your battery life. Optimum operating range is between 5 degrees Celsius (40 degrees F) and 40 degrees Celsius (105 degrees F.)
5. Never drop or bump the battery pack. This may result in loose or damaged internal connections, and may damage the battery terminals.

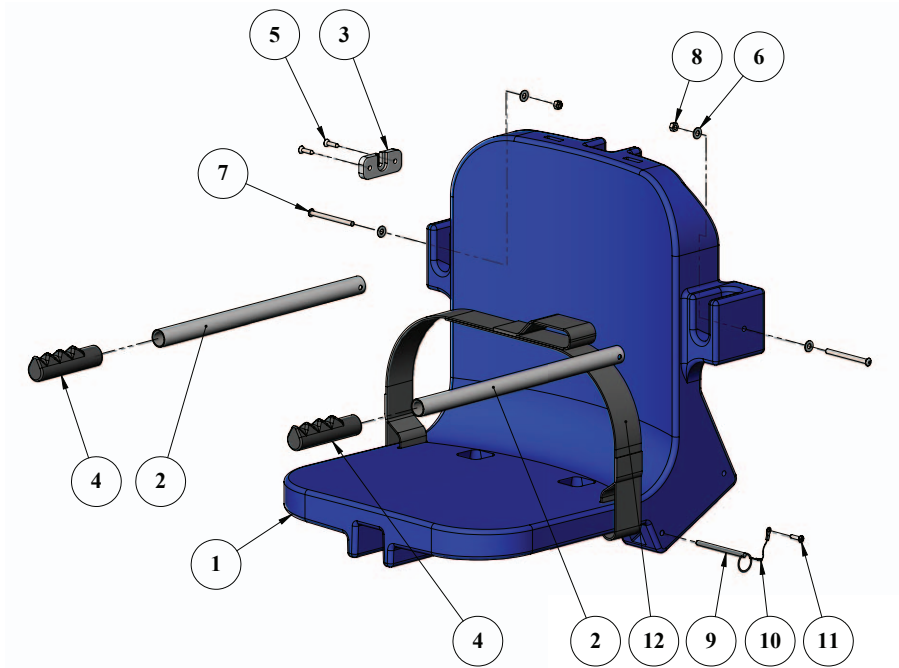
Spa Lift Elite Parts List



ITEM #	QTY	PART #	DESCRIPTION
1	1	SLE-100-01	BEARING HOUSING ASSEMBLY
2	1	SLE-200-02	BASE MAST WELDMENT
3	1	SCT-300-10	MOTOR ASSEMBLY
4	1	SLE-400-02	MAST ASSEMBLY
5	1	SLE-500-00	LIFTING ARM ASSEMBLY
6	1	SLE-600-00	CONTROL ARM ASSEMBLY
7	1	REV-700SP-00	CHAIR ARM ASSEMBLY
8	1	REV-800-20	CHAIR CRADLE ASSEMBLY
9	1	SA-0904CA-A	18" CHAIR ASSEMBLY
10	1	F-105LAR-01	LEGREST ASSEMBLY
11	1	340665-00	400MM LINAK ACTUATOR
12	1	P-920	PLASTIC SHROUD
13	2	SCT-135-01	FINGER GUARD
14	1	VCP100-29800	24V BATTERY
15	8	BH 1/4 X 3/4	1/4-20 X 3/4 HEX BOLT

ITEM #	QTY	PART #	DESCRIPTION
16	7	BH 1/4 X 1	1/4-20 X 1 HEX BOLT
17	34	WF 1/4	1/4 FLAT WASHER
18	19	NN 1/4	1/4-20 NYLOCK NUT
19	1	BH 5/16 X 4 1/2	5/16-18 X 4 1/2 HEX BOLT
20	5	WF 5/16	5/16 FLAT WASHER
21	4	NN 5/16	5/16-18 NYLOCK NUT
22	1	BS 3/8 X 1 1/4 18-8	3/8 X 1 1/4 SHOULDER BOLT
23	2	BS 3/8 X 2 18-8	3/8 X 2 SHOULDER BOLT
24	8	WF 3/8	3/8 FLAT WASHER
25	8	NN 3/8	3/8-16 NYLOCK NUT
26	1	BS 1/2 X 2 3/4 18-8	1/2 X 2 3/4 SHOULDER BOLT
27	3	BS 1/2 X 3 18-8	1/2 X 3 SHOULDER BOLT
28	1	WFC 3/4	3/4 CUSTOM WASHER
29	1	NN 3/4	3/4-10 NYLOCK NUT
30	1	F-UBC	BATTERY/CONTROL BOX COVER

Seat Assembly Parts List



ITEM #	QTY	PART #	DESCRIPTION
1	1	P-901	CHAIR, PLASTIC, 18" BLUE
2	2	P-2100FLA-38	CHAIR II ARMREST TUBE
3	1	P-1208HSB	BRACKET, PLASTIC, HANDSET BRACKET
4	2	RUBBER HAND GRIPS	GRIP, RUBBER HAND GRIP
5	2	SFL 12 X 3/4	SCREW, 316 SS, #12 X 3/4", FHSMS
6	4	WF 1/4	WASHER, FLAT, 1/4, 316 SS
7	2	BB 1/4 X 3-1/4	BOLT, 316 SS, 1/4 X 3 1/4 BHSCS
8	2	NN 1/4	NUT, 316 SS, NYLOCK, 1/4"
9	1	COTTER PIN, 1/4 X 3 1/4	PIN, COTTERLESS PIN, 18-8 SS, 1/4 X 3 3/4
10	1	LANYARD	LANYARD, FOR FOOTREST PIN, SS
11	1	SPH 10 X 3/4	SCREW, 316 SS, #10 X 3/4", PHSMS
12	1	F-38SB	SEAT BELT, 2", STANDARD, BLACK

AQUA CREEK PRODUCTS, LLC LIMITED FIVE (5) YEAR WARRANTY:

ELITE & ULTRA SPA LIFTS

(ITEM #'s F-006SLE, F-005SLU)

Aqua Creek Products, LLC (a.k.a. Aqua Creek) warrants to the original end user purchaser that products manufactured by Aqua Creek, when properly installed in accordance with assembly and installation instructions, and properly used and maintained, shall be free from defects in material and workmanship for a period of **five (5) years from the date of original purchase**, provided that Aqua Creek receives prompt notice in writing of any defect or failure and satisfactory proof thereof, with the following exception(s):

Exceptions:

- All electrical components, including the linear actuator shall have the following warranty period:
 - Year 1-2: 100% Coverage
 - Year 3: 60% Coverage (Customer is responsible for 40% of replacement cost)
 - Year 4: 50% Coverage (Customer is responsible for 50% of replacement cost)
 - Year 5: 40% Coverage (Customer is responsible for 60% of replacement cost)
- Hydraulic actuators and mesh slings shall have a warranty period of **one (1) year from the date of original purchase**.
- Powder coat finish scratches, scrapes, corrosion, or dents from customers normal use, negligence, or abuse

This warranty specifically excludes reimbursement for labor to remove, repair, or install the product and any shipping charges. These warranties do not cover any damages due to accident, force majeure, act of nature, misuse, abuse, negligence or failure to properly maintain any products, or normal wear and tear from day to day operations. In the event that any products are altered, repaired, or improperly installed or improperly used by anyone without the prior written approval by Aqua Creek, all warranties are void. **IMPORTANT: AMOUNT OF WEIGHT PLACED ON LIFT SHALL NOT EXCEED THE RATED LIFTING CAPACITY FOR THE LIFT. NEVER OPERATE THE LIFT UNDER LOAD IN A DRY POOL (WITH NO WATER IN THE POOL).** It is the responsibility of the lift owner to verify the weight of the patron for warranty claim purposes and to ensure that the lift is not overloaded. Non-payment for product to Aqua Creek may void warranty.

To initiate a warranty claim, the owner of an Aqua Creek product must provide the place of purchase, in writing, with a full description of the product, its serial number, the dates of purchase and installation, and the exact nature of the defect. Within thirty (30) days after receipt of a written warranty claim by Aqua Creek, and barring any unforeseen delays, the place of purchase will be notified of Aqua Creek's decision regarding the claim.

If requested by Aqua Creek, any defective product must be returned, freight prepaid by customer, to Aqua Creek's designated factory location or duly appointed distributor for inspection and/or repair. Aqua Creek will, at its option, repair or replace the failed or defective item, and deliver the repaired product or replacement to the customer. All freight charges are the responsibility of the customer. Products returned to Aqua Creek for which Aqua Creek provides replacement under this limited warranty shall become the property of Aqua Creek. A new warranty period shall **NOT** be established for the repaired or replaced products. Such products shall remain under warranty only for the remainder of the original warranty period on the original products purchased.

This written limited warranty constitutes the final, complete and exclusive statement of warranty terms. No person or organization is authorized to make any other specific or implied warranties or representations on behalf of Aqua Creek.

THE WARRANTIES SET FORTH HEREIN ARE IN LIEU OF ALL OTHER WARRANTIES, EXPRESSED OR IMPLIED, WHICH ARE HEREBY DISCLAIMED AND EXCLUDED, INCLUDING WITHOUT LIMITATION ANY WARRANTY OF MERCHANTABILITY OR FITNESS FOR A PARTICULAR PURPOSE OR USE.

THE SOLE AND EXCLUSIVE REMEDIES FOR BREACH OF ANY AND ALL WARRANTIES WITH RESPECT TO THE PRODUCTS SHALL BE LIMITED TO REPAIR OR REPLACEMENT AT AQUA CREEK'S DESIGNATED FACTORY LOCATION, OR DULY APPOINTED DISTRIBUTOR, OR IN PLACE AT AQUA CREEK'S OPTION. IN NO EVENT SHALL AQUA CREEK'S LIABILITY EXCEED THE ENTIRE AMOUNT PAID TO AQUA CREEK BY THE ORIGINAL PURCHASER FOR THE FAILED OR DEFECTIVE PRODUCT.

IN NO EVENT SHALL AQUA CREEK PRODUCTS, LLC BE LIABLE FOR ANY INCIDENTAL, CONSEQUENTIAL, SPECIAL, INDIRECT, PUNITIVE OR EXEMPLARY DAMAGES OR LOST PROFITS FROM ANY BREACH OF THIS LIMITED WARRANTY OR OTHERWISE.

THIS WARRANTY GIVES YOU SPECIFIC LEGAL RIGHTS AND YOU MAY ALSO HAVE OTHER RIGHTS, WHICH MAY VARY FROM STATE TO STATE. SOME STATES DO NOT ALLOW THE EXCLUSION OR LIMITATION OF INCIDENTAL, SPECIAL OR CONSEQUENTIAL DAMAGES, SO SOME OF THE ABOVE LIMITATIONS OR EXCLUSIONS MAY NOT APPLY TO YOU.

Aqua Creek Products, LLC
9889 Garrymore Lane
Missoula, MT 59808
Toll Free: (888) 687-3552
Local/Intnl: (406) 549-0769
www.aquacreek.com



Aqua Creek Products

THE LEADERS IN RECREATION, FITNESS, AND ABILITY!



+1-406-549-0769 | 888-687-3552

sales@aquacreek.com | www.aquacreek.com

ROTATIONAL LIFT ACCESSORIES

COVERS

F-450BL-C	Scout 2 Lockable Cover, Blue
F-450BL-CT	Scout 2 Lockable Cover, Tan
F-450SSC	Scout 2 Cover, Blue (use with Solar Charger)
F-450SSC-T	Scout 2 Cover, Tan (use with Solar Charger)
F-720BL-C	Revolution/Titan Lockable Cover, Blue
F-720BL-CT	Revolution/Titan Lockable Cover, Tan
F-720SSC	Revolution/Titan Cover, Blue (use with Solar Charger)
F-720SSC-T	Revolution/Titan Cover, Tan (use with Solar Charger)
F-450SLEC	Spa Lift Elite Lockable Cover
F-450SLECS	Spa Lift Elite Cover (use with Solar Charger)
F-450SLUC	Spa Lift Ultra Lockable Cover
F-450SLUCS	Spa Lift Ultra Cover (use with Solar Charger)
F-UBC	Electronics Cover, Blue Scout, Rev, Titan, Power EZ 2
F-BCC-11T	Electronics Cover, Tan Scout, Rev, Titan, Power EZ 2

TRANSPORT CARTS

F-814SCTC	Scout 2
F-714RTC	Revolution

ACCESSORIES & OPTIONS

F-019CA	Cycle Attachment
F-105LAR	Pull-Out Legrest
F-422PLH-2	Headrest
F-423CS	Chest Strap
F-38SB	Seat Belt, Standard
F-806SLS	Sling Seat Assembly, Scout 2 (Sling included)
F-705-S3	Wheelchair Assy Option* (Wheelchair not included)
F-734RSA	Spineboard Assy Option* (Blue Spineboard & Head Immobilizer)
F-730RSA-S2	Gurney Assy Option* (Gurney included)
F-760RLSS	Sling Seat Assembly Option for Revolution Lift (Sling included)

*For Revolution Only

SOLAR CHARGERS

F-045SCH	Scout 2 Revolution Titan Elite Ultra
----------	--

