

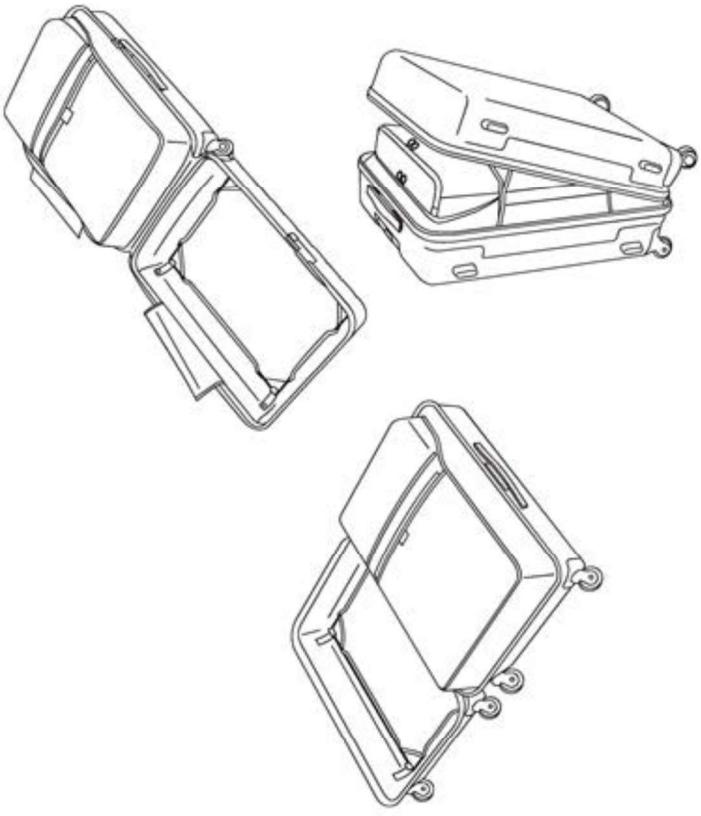
OREGON

ALL-WAY

Instructions for Using the ALL-WAY Luggage System

The "ALL-WAY" suitcase features a completely updated opening system and new interior. To use the "ALL-WAY" suitcase safely and comfortably for many years, please read the following precautions prior to use.

ALL-WAY Luggage System



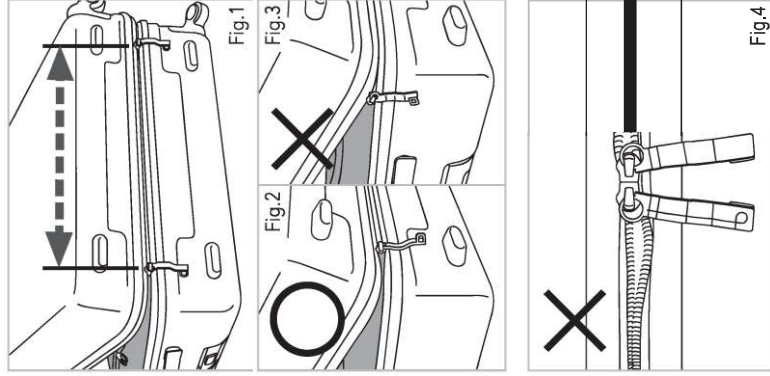
The "ALL-WAY" suitcase is highly innovative . The zipper runs around the entire suitcase body, allowing it to open in any of four directions. This system is designed to allow easy removal of items at an airport, on the go and in a room with limited space to provide extra convenience.

Using the zipper and precautions in opening the suitcase

When opening, be sure to adjust the closed zipper section (see Fig.1) that keeps the lid and bottom of the suitcase connected to be as long as possible. (This precaution applies regardless of the opening direction.)

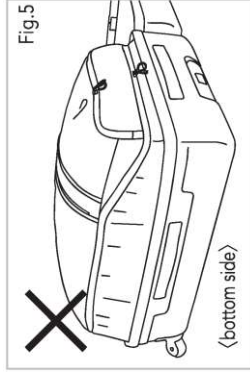
Make sure that both pull tabs of the zipper are open past the rounded corners of the suitcase before opening (see Fig.2). If the suitcase is opened without positioning the pull tabs past the rounded corners, excessive load will be applied to the zipper and may cause damage to the zipper (see Fig.3).

The two sliders with pull tabs are designed to contact each other back to back (see Fig.4). If the suitcase is opened with the sliders positioned back to back as shown in the photo, excessive load will be applied to the interlocked teeth and may cause damage. Be sure to provide a sufficient length between the two pull tabs.

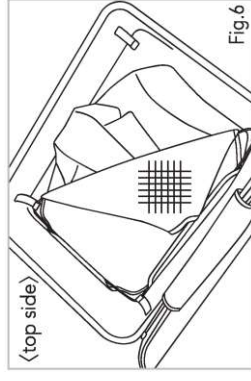


suitcase can be packed together in one large compartment. The "ALL-WAY" suitcase allows easier packing of even bulky items.

The three-dimensionally designed main compartment on the bottom shell can be closed with the zipper for secure containment of the contents. Do not overpack the main compartment to prevent excessive load to the zipper or interior (see Fig.5).

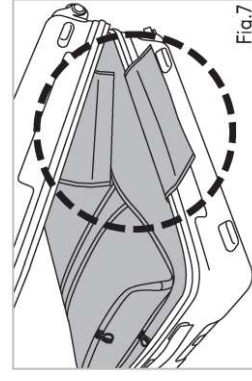


Do not place thick or heavy items in the net cover on the lid shell, because this space is only for holding thin items such as light jackets or guide map etc. (see Fig.6). Note that placing heavy or thick items in this net-covered section will put an excessive burden on the net and zipper and may cause damage.



Precautions in opening the suitcase vertically

The "ALL-WAY" suitcase has a side stopper to prevent the suitcase from opening fully when it is opened vertically. The side stopper connects the lid shell and the bottom shell with hook and loop fastener. When opening the suitcase fully, be sure to detach the side stopper (see Fig.7). If the suitcase is forcibly opened with the side stopper in place, the stopper may be damaged.



Precautions in packing the suitcase

The "ALL-WAY" suitcase features a special design to enable placement of all items in the bottom shell. Thus, items that had to be separated to fit into a conventional