

once™ AC LED PAR 30 7.8 Watt

LAMP

Thanks to Optimized Thermal Management and superior design engineering, the Once Innovations™ AC LED PAR 30 will last approximately 50,000 hours or up to 10 years. This amazing longevity, combined with the fact it's affordable, operates on AC, and has a standard Edison base, makes it the perfect lamp for quick, energy-efficient replacements or for new construction projects in both residential and business interior environments. The materials used, manufacturing process, and energy savings makes this one of today's most environmentally responsible green products. The Once Innovations™ AC LED PAR 30 is fully dimmable on a standard dimmer switch and available in multiple patterns and color temperatures.

- Directional qualities make it one of the best-suited lamps for track lighting
- Dimensions comply with IEC 60630 (4030-1)
- Lighter and more efficient
- Fewer components and greater reliability
- Zero hazardous materials in the product or used in manufacturing
- Vast majority of materials are from recycled materials and are biodegradable

PACKAGING

Packaging demonstrates the commitment Once Innovations™ has to the 3Rs of conservation: reduce, recycle, and the forgotten R, reuse.

- Made from recyclable plastic
- Instantly becomes a quality, reusable screw-top container for storage
- One of the few clear plastic packages in the world that's biodegradable
- Eco Pure™ additive changes plastic's molecular structure so it breaks down in a landfill

EcoPure



“Once shared, discovery becomes measurable in a currency far more valuable than money.”

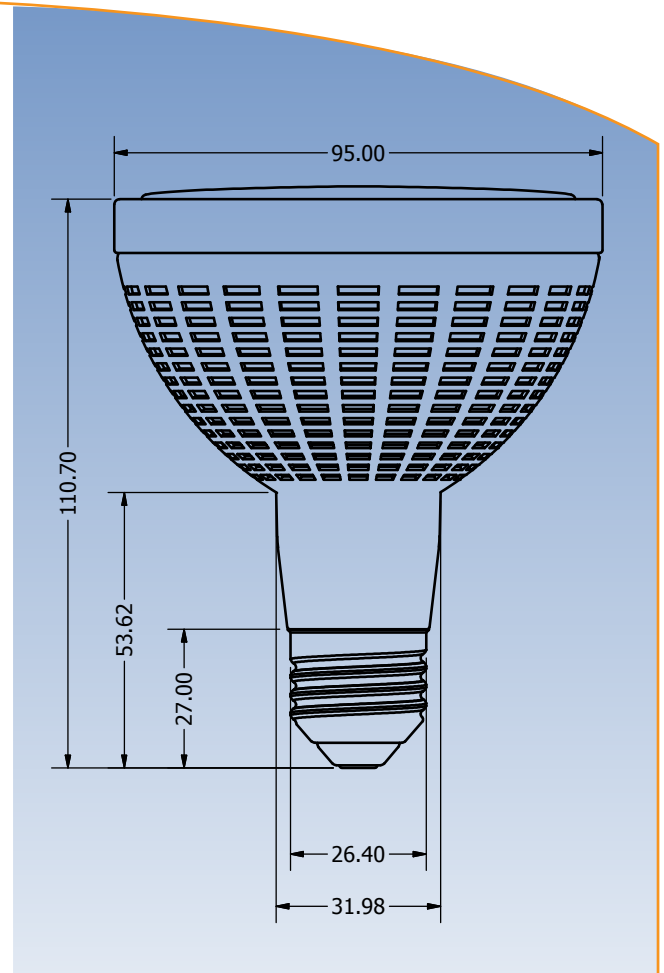
- Unknown Author

once™
innovations inc

once™ AC LED PAR 30

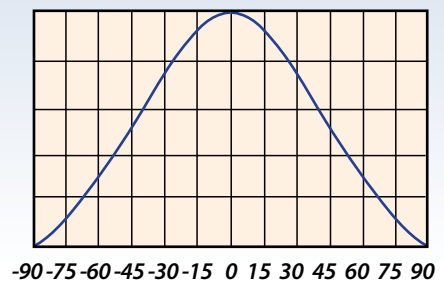
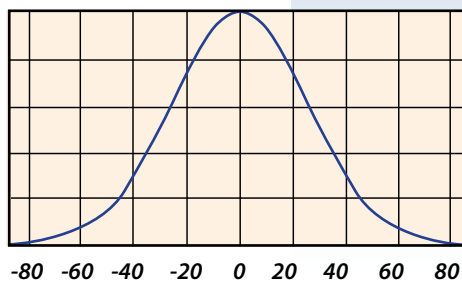
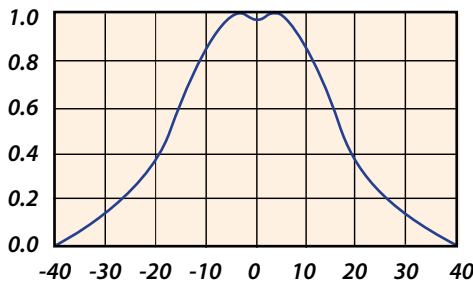
7.8 Watt

Substitutive Equivalence	60 W Incandescent		
Voltage	120 / 230 VAC		
Frequency	60 / 50 Hz		
Average Power	7.8 W		
ANSI Color Temperature	3000° / 5700°K		
CRI	>80		
Power Factor	Min 0.96		
Typical	Illuminance at 1M		Luminous Flux
	Beam Angle	Narrow at 35°	Wide at 60°
3000°K	7900 Lux	1190 Lux	660 Lm
5700°K	8400 Lux	1840 Lux	720 Lm
Operating Temperature	-40°C to 70°C		
Dimmability Range	100 to 5%		
Dimmer Type	Phase Modulation or Amplitude Control		
Dimensions	Meets IEC 60630		
RoHS	Fully Compliant		
Packaging	Recycled Materials / Biodegradable		
Rated Life	50000 Hours		
Warranty	3 Years		



WORLDWIDE DESIGN AND UTILITY PATENTS PENDING.
 PACKAGING DESIGN IS PART OF TRADE DRESS AND TRADE MARKS OF ONCE INNOVATIONS™, INC.

PRELIMINARY SPECIFICATIONS



BEAM ANGLE NARROW LENS
 35 DEGREES
 BEAM PATTERN CIRCLE

WIDE LENS
 60 DEGREES
 CIRCLE

FLOOD
 90 DEGREES
 CIRCLE

ORDERING INFORMATION

ACPAR30 MODEL

COLOR TEMPERATURE

3000- [3000k WARM WHITE]
5700- [5700k NATURAL WHITE]
XXXX- [CUSTOM COLOR TEMP. (°K)]

BEAM ANGLE

N – NARROW [35°]
W – WIDE [60°]
F – FLOOD [90°]

VOLTAGE

120 – 120 VAC/60 Hz
230 – 230 VAC/50 Hz

onceinnovations.com

Once Innovations, Inc. • 5455 Highway 169 N • Plymouth, MN 55442 • P 763. 381. 5621 • F 763. 381. 5698

once™
 innovations inc

© 2009 Once Innovations, Inc.