

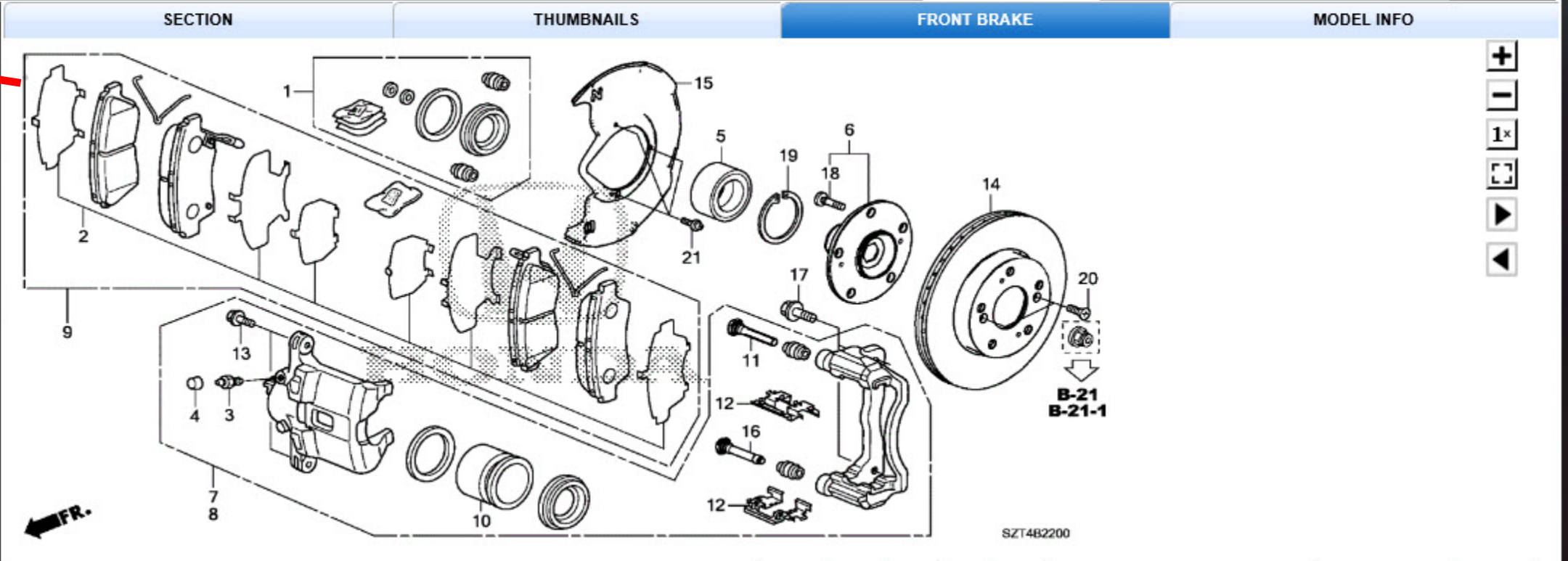
Model	Year	Door	Grade	Area	Mfg	Trans	Clr Label	Exterior Color	Search By
CR-Z	2011	3		KA	JPN		A-GRAY		VIN

**Section**

CHASSIS

Illustration	ID
DRIVESHAFT I - HALF SHAFT (MI)	B-21-1
FRONT DRIVESHAFT SET SHORT PARTS	B-21-5
<b>FRONT BRAKE</b>	<b>B-22</b>
PEDAL	B-23
CLUTCH MASTER CYLINDER	B-23-20
BRAKE MASTER CYLINDER - MASTER POWER	B-24
VSA MODULATOR	B-24-10

Shopping Cart



Ref.	Pick	Part Number	Description	QTY	SS	IB	N	G	Grade	Trans	Mod.
001	<input type="checkbox"/>	01463-S2A-010	CALIPER SET (MSDS)	002					ALL	ALL	
002	<input type="checkbox"/>	06455-TF0-G00	SHIM SET, FR.	001					ALL	ALL	
003	<input type="checkbox"/>	43352-SM4-951	SCREW, BLEEDER	002					ALL	ALL	
004	<input type="checkbox"/>	43353-SD5-003	CAP, BLEEDER SCREW	002					ALL	ALL	
005	<input type="checkbox"/>	44300-TK6-A01	BEARING ASSY., FR. HUB	002					ALL	ALL	
006	<input type="checkbox"/>	44600-SZT-000	HUB ASSY., FR.	002					ALL	ALL	
007	<input type="checkbox"/>	45018-SZT-A00	CALIPER SUB-ASSY., R. FR.	001					ALL	ALL	
008	<input type="checkbox"/>	45019-SZT-A00	CALIPER SUB-ASSY., L. FR.	001					ALL	ALL	
009	<input type="checkbox"/>	45022-TK6-A00	PAD SET, FR. (AK NS236H EF)	001	SS				ALL	ALL	S
009	<input type="checkbox"/>	45022-TK6-A01	PAD SET, FR. (AK NS236H EF) (MSDS)	001					ALL	ALL	M
010	<input type="checkbox"/>	45216-S5A-J01	PISTON	002					ALL	ALL	
011	<input type="checkbox"/>	45235-SZT-G01	PIN A	002					ALL	ALL	
012	<input type="checkbox"/>	45237-TG5-H01	RETAINER	004					ALL	ALL	
013	<input type="checkbox"/>	45240-SC2-003	BOLT, FLANGE (8X22)	004					ALL	ALL	

Search

Part Number  Part Description

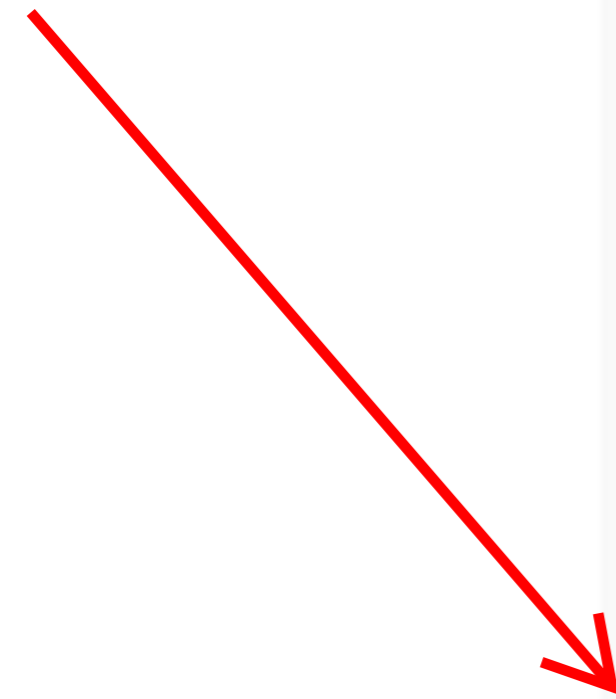
STARTS WITH

Search

Part Information	
Part Number	44300-TK6-A01 <input type="button" value="Add To Cart"/>
Part Description	BEARING ASSY., FR. HUB
Mod	SRA Code D
Height (in)	1.62
Length (in)	3.11
Width (in)	3.11
Multi.	1
Core Charge	

Supersession		
<input type="button" value="Back"/>	<input type="button" value="Forward"/>	<input type="button" value="Most Forward"/>

Model Applications								
Model	Year	Door	Grade	Trans	Section	Illustrations	Ref.	
<a href="#">CR-Z</a>	2011	3	BASE	CVT	CHASSIS ...	FRONT BRAKE ...	005	
<a href="#">CR-Z</a>	2011	3	BASE	6MT	CHASSIS ...	FRONT BRAKE ...	005	
<a href="#">CR-Z</a>	2011	3	EX	CVT	CHASSIS ...	FRONT BRAKE ...	005	
<a href="#">CR-Z</a>	2011	3	EX	6MT	CHASSIS ...	FRONT BRAKE ...	005	
<a href="#">CR-Z</a>	2011	3	EX (NV)	CVT	CHASSIS ...	FRONT BRAKE ...	005	
<a href="#">CR-Z</a>	2011	3	EX (NV)	6MT	CHASSIS ...	FRONT BRAKE ...	005	
<a href="#">CR-Z</a>	2012	3	BASE	CVT	CHASSIS ...	FRONT BRAKE ...	005	
<a href="#">CR-Z</a>	2012	3	BASE	6MT	CHASSIS ...	FRONT BRAKE ...	005	
<a href="#">CR-Z</a>	2012	3	EX	CVT	CHASSIS ...	FRONT BRAKE ...	005	
<a href="#">CR-Z</a>	2012	3	EX	6MT	CHASSIS ...	FRONT BRAKE ...	005	
<a href="#">CR-Z</a>	2012	3	EX (NV)	CVT	CHASSIS ...	FRONT BRAKE ...	005	
<a href="#">CR-Z</a>	2012	3	EX (NV)	6MT	CHASSIS ...	FRONT BRAKE ...	005	
<a href="#">CR-Z</a>	2013	3	BASE	CVT	CHASSIS ...	FRONT BRAKE (1) ...	005	
<a href="#">CR-Z</a>	2013	3	BASE	6MT	CHASSIS ...	FRONT BRAKE (1) ...	005	
<a href="#">CR-Z</a>	2013	3	EX	CVT	CHASSIS ...	FRONT BRAKE (1) ...	005	
<a href="#">CR-Z</a>	2013	3	EX	6MT	CHASSIS ...	FRONT BRAKE (1) ...	005	
<a href="#">CR-Z</a>	2013	3	EX (NAVI)	CVT	CHASSIS ...	FRONT BRAKE (1) ...	005	
<a href="#">CR-Z</a>	2013	3	EX (NAVI)	6MT	CHASSIS ...	FRONT BRAKE (1) ...	005	
<a href="#">CR-Z</a>	2014	3	BASE	CVT	CHASSIS ...	FRONT BRAKE (1) ...	005	
<a href="#">CR-Z</a>	2014	3	BASE	6MT	CHASSIS ...	FRONT BRAKE (1) ...	005	
<a href="#">CR-Z</a>	2014	3	EX	CVT	CHASSIS ...	FRONT BRAKE (1) ...	005	
<a href="#">CR-7</a>	2014	3	FX	6MT	CHASSIS	FRONT BRAKE (1)	005	



Show Saved Shopping Cart

Active Shopping Cart

Shopping Cart Name:  Description:  Duration (Days):

Created:  Retention Date:  Save Save As Delete

Manually Added		Memo			
D	Part Number	Description	Qty	Illustration	Memo
X	44300-TK6-A01	BEARING ASSY., FR. HUB	1		

Availability Send (DMS) Send (iN)

Manual Part Add

Part Number:  Qty:  Add Clear

Part Description:

- Hide This Menu
- Acknowledgements
- Transactions
- Parts and Service News Flash
- Airbag Inflator Recall
- Parts Catalog
- Parts Ordering
  - Parts Order**
  - Parts Order Interface
  - Controlled Order
  - Oil & Fluids Order
  - Tire Center
  - Order Maintenance
  - Order Status Inquiry
  - Detail Inquiry
  - Inquiry by Part
  - Back/HLD/Future Order Release
  - Auto Order Inquiry
  - Auto Order Maintenance
  - CBO Inquiry
  - UPO Upgrade to CBO
  - Parts Shipper Inquiry
  - Parts Shipper List
  - Parts Auto Ship Admin
  - Controlled Part Serial No
  - Reman Parts/ Special Orders
  - Pricing
  - Accessory Sell Sheet
  - Parts Locator
  - Returns and Surplus

### Daily Order

• = Required

Order Information

Reference* <input type="text" value="D"/> <input type="text" value="0030626"/>	Ship Via* <input type="text" value="3-SURFACE"/>	Cross Shipment <input type="text" value="YES"/>
Back Order* <input type="text" value="YES"/>	Alt Ship Via* <input type="text" value="3-SURFACE"/>	Alt Ship To* <input type="text" value="NO"/>
Total Price <input type="text" value="\$87.81"/>	Dealer No <input type="text" value="SAN001"/>	

Search by

Item	Part*	Qty*	Memo	Description	Unit Price	
1	<input type="text" value="44300-TK6-A01"/>	<input type="text" value="1"/>	<input type="text"/>	BEARING, FR. HUB	87.81	<a href="#">Delete</a>
2	<input type="text"/>	<input type="text"/>	<input type="text"/>			<a href="#">Delete</a>
3	<input type="text"/>	<input type="text"/>	<input type="text"/>			<a href="#">Delete</a>
4	<input type="text"/>	<input type="text"/>	<input type="text"/>			<a href="#">Delete</a>
5	<input type="text"/>	<input type="text"/>	<input type="text"/>			<a href="#">Delete</a>
6	<input type="text"/>	<input type="text"/>	<input type="text"/>			<a href="#">Delete</a>
7	<input type="text"/>	<input type="text"/>	<input type="text"/>			<a href="#">Delete</a>
8	<input type="text"/>	<input type="text"/>	<input type="text"/>			<a href="#">Delete</a>
9	<input type="text"/>	<input type="text"/>	<input type="text"/>			<a href="#">Delete</a>
10	<input type="text"/>	<input type="text"/>	<input type="text"/>			<a href="#">Delete</a>
11	<input type="text"/>	<input type="text"/>	<input type="text"/>			<a href="#">Delete</a>
12	<input type="text"/>	<input type="text"/>	<input type="text"/>			<a href="#">Delete</a>
13	<input type="text"/>	<input type="text"/>	<input type="text"/>			<a href="#">Delete</a>
14	<input type="text"/>	<input type="text"/>	<input type="text"/>			<a href="#">Delete</a>
15	<input type="text"/>	<input type="text"/>	<input type="text"/>			<a href="#">Delete</a>