

**Lutron.  
tensioned shade  
(4.75 inch frame)**

Chassis  
Installation  
Instructions

 **LUTRON**

# 10

## Install Shade in Frame

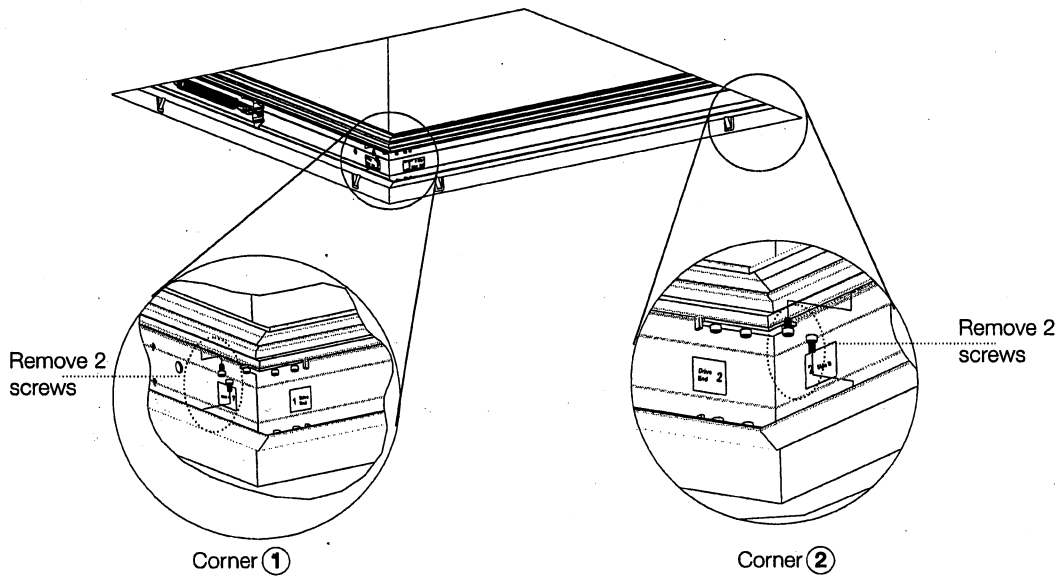
If your tensioned shade arrived pre-assembled, proceed to step 9.

Assembled in Place

Floor Assembled

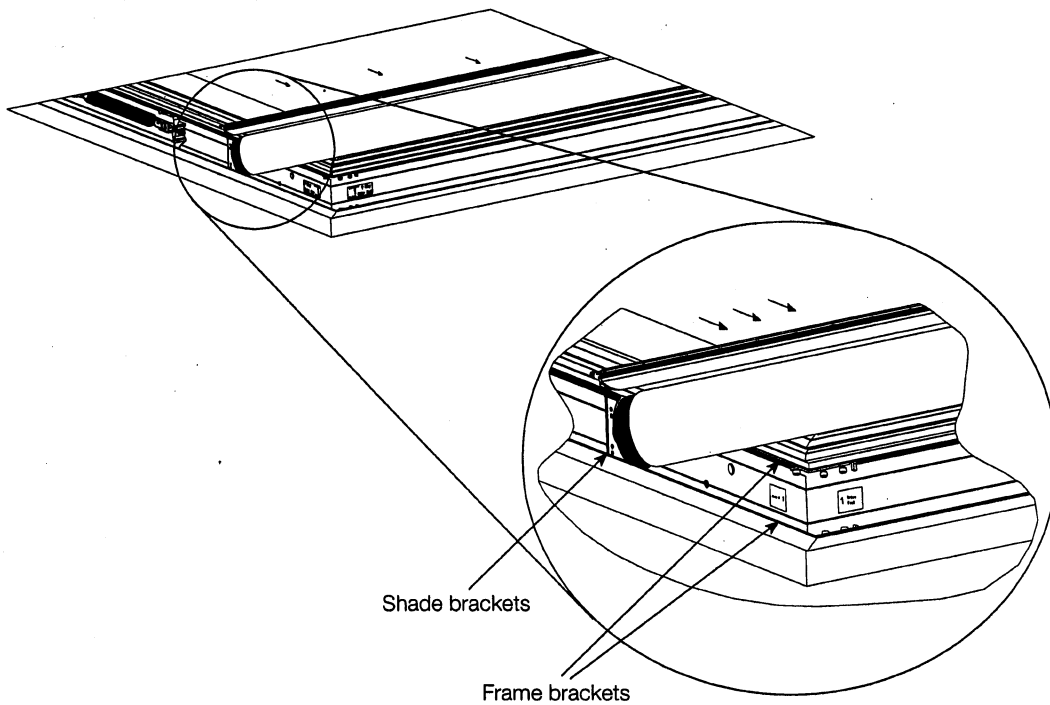
### 10.1

Remove 2 screws from each corner ① and corner ② brackets as shown.



### 10.2

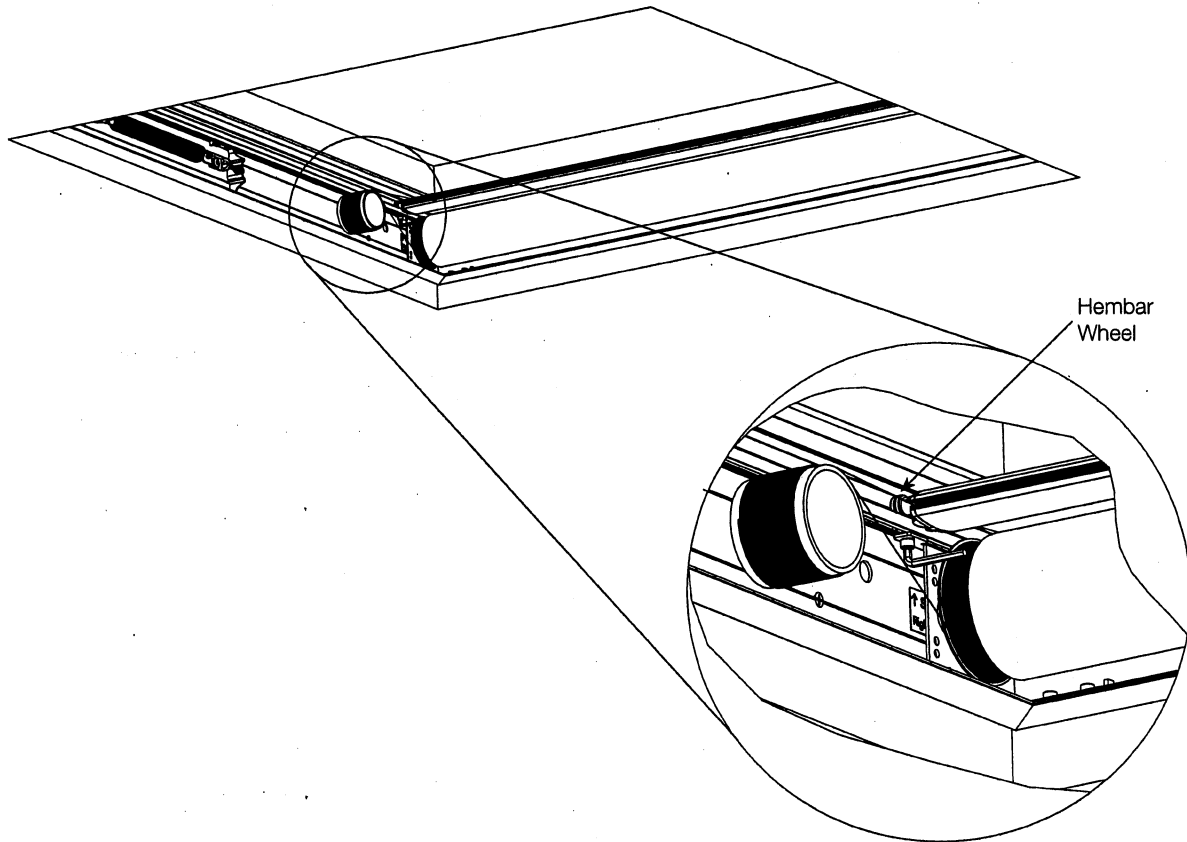
Insert shade and align shade brackets with the frame brackets



## 10 Install Shade in Frame (continued)

Assembled in Place  
Floor Assembled

10.3 Insert in the hembar wheels into the guide tracks on the frame



10.4 Reinsert and tighten the 4 screws removed in step 10.1 to secure the shade.

# 18 Troubleshooting

Assembled in Place  
 Proassembled  
 Floor Assembled

Symptom	Solution
Shade will not move using adjustment buttons on EDU.	EDU is not powered - check EDU Power by unplugging and re-plugging in EDU. LED should flash for 5 seconds Shade is obstructed - free obstruction
Shade does not fully open or fully close.	Limits have been set incorrectly - refer to "Set open limit" and "Set close limit" sections Shade is obstructed - free obstruction
Shade does not move smoothly.	Check for binding of shade fabric in frame Verify frame is square
IR controls will not operate shade.	IR transmitter does not have line-of-sight to IR receiver Out of range - move to within 40 ft (12 m) of IR receiver EDUs not assigned to IR receiver - Refer to Wiring and Programming Guide IR receiver not plugged into any EDU within range IR remote control batteries are not providing power - replace them
Fabric sags at close limit.	Close limit is set too far. Adjust close limit.
Motor stalls	Verify cable is routed over all pulleys and wound properly on take up spool