



H2O eMop™



Instruction Manual

THANK YOU!

Congratulations on your choice of the H2O eMop™ from Thane™, the super Effective, Economical and Eco-friendly, natural, yet powerful, system that cleans, kills bacteria and deodorizes!

The H2O eMop™ system is the latest H2O innovation that will revolutionize the cleaning industry and the way you clean your home, forever! You can clean, kill bacteria and deodorize your entire home simply by transforming salt and drinking water into an electrolyzed cleaning solution. With just simple science, and electricity the H2O eMop™ energizes the water you drink to create a natural all-purpose cleaning solution that we call S-Water™!

The H2O eMop™ S-Water™ is powered by the water you drink and super-charged with cleaning, bacteria killing and deodorizing oxidants! To find out more about S-Water™ and to get the most out of your H2O eMop™ system, please make sure to read this entire Instruction Manual before first use.

Thanks again for trusting the H2O™ brand from Thane™!

Thane™ and its affiliated companies assume no liability for personal injury or property damage resulting from the misuse of the H2O eMop™, including the failure to comply with the instructions contained in this Instruction Manual or provided by the manufacturer or distributor of the treated surface.

IMPORTANT SAFETY INFORMATION IS ENCLOSED
READ ALL INSTRUCTIONS BEFORE USING THE H2O eMop™ SYSTEM

S-Water™ EXPLAINED!

The passage of energy through clean water is very poor since water is not a good conductor of electricity. To make water conductive, common table salt (NaCl) is added and dissolved.

In our case, S-Water™ is produced by electrolysis of ordinary tap/drinking water (H2O; hydrogen and oxygen) containing dissolved table salt, sodium chloride (NaCl; sodium and chlorine). The result is an effective, economical and eco safe cleanser, bacteria killer and deodorizer.

When an electrical current is applied to the salt water solution, the water and salt molecules are broken apart and combined into a few new molecules, including hypochlorous acid (HClO), hypochlorite ion (-OCl) and sodium hydroxide (NaOH).

The hypochlorous acid and hypochlorite ion molecules coexist in various ratios in S-Water™, and their amounts are dictated by the pH (acidity vs alkalinity) of the S-Water™.

Hypochlorous acid is a known sanitizing, bacteria killing and deodorizing agent (or oxidant), and is the same substance our white blood cells produce to keep our immune system healthy. Sodium hydroxide is a type of detergent and it is used in wide range of products in various concentrations (toothpaste, all-purpose cleaners, etc). It provides optimal conditions for the cleaning action of the hypochlorite ion, another powerful oxidant.

These molecules exist in very safe and non-toxic amounts in S-Water™ we generate with the H2O eMop™, but are still enough to make it very effective for cleaning, deodorizing and killing bacteria.

The oxidants, or oxidizing agents, work by OXIDATING (breaking down) and eliminating dirt, bacteria and odors!

The pH of the resulting electrolyzed water is an important factor in understanding how S-Water™ works and it is affected by the concentration of salt, the current and amount of time the current is running. By varying these factors, the S-Water™ can be made more alkaline (better cleaning) or acidic (better bacteria killing).

The S-Water™ pH we achieve with just salt and water is in the neutral/ mildly alkaline range so that we get a very effective cleaning agent that provides good sanitizing. Plus, we have the option of adding vinegar, after the S-Water™ is produced, to make it more acidic for an even better bacteria killing effect. The vinegar lowers the pH (and increases acidity) of the S-Water™ so that better sanitizing can be achieved!

WARNINGS AND CAUTIONS

PLEASE READ ALL PRODUCT INSTRUCTIONS CAREFULLY. FAILURE TO FOLLOW THE PRODUCT INSTRUCTIONS WILL VOID YOUR WARRANTY.

USE YOUR H2O eMop™ ONLY AS DIRECTED IN THIS MANUAL AND ONLY WITH THE MANUFACTURER'S RECOMMENDED ACCESSORIES.

AS WITH ANY ELECTRICAL APPLIANCE, BASIC PRECAUTIONS SHOULD ALWAYS BE OBSERVED WHEN USING THIS PRODUCT, INCLUDING THE FOLLOWING:

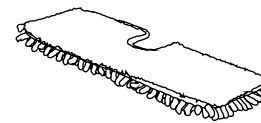
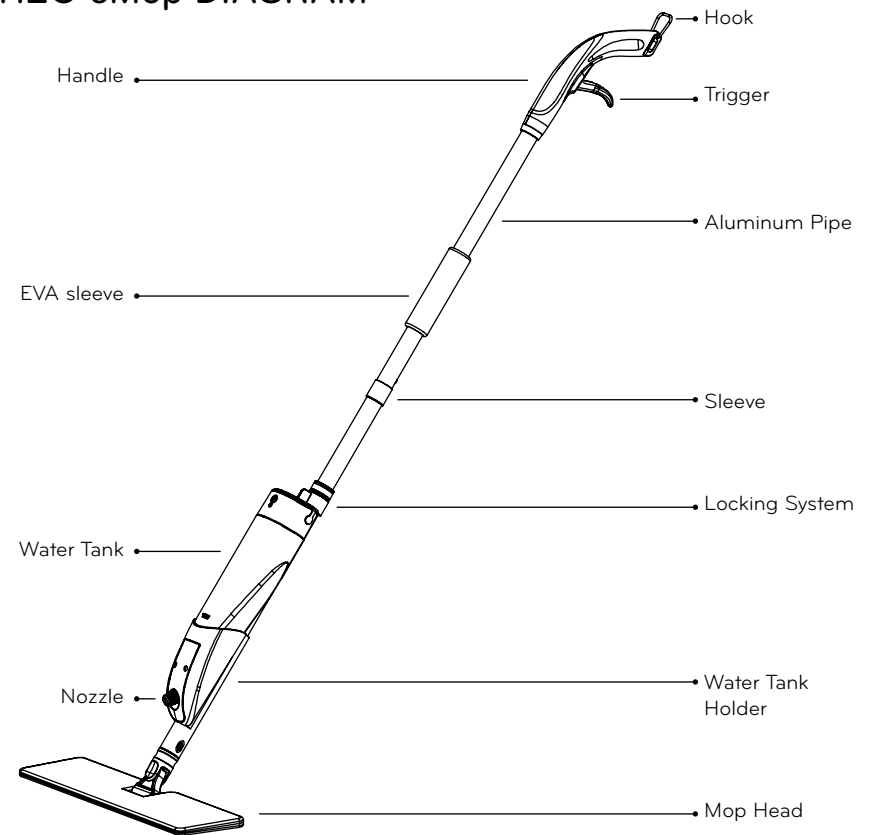
When using H2O eMop™ basic safety precautions must always be followed:

1. Read all instructions before operation
2. Always follow ALL safety precautions and Instruction Manual directions when working with H2O eMop™ and S-Water™.
3. Verify that the voltage indicated on the adapter rating label corresponds with the voltage of your electrical outlet.
4. This appliance is designed for household use only. Commercial use of the H2O eMop™ voids the manufacturer's warranty.
5. Always unplug the H2O eMop™ unit when cleaning or performing any other user maintenance.
6. Do not drink the S-Water™ after electrolysis is done.
7. Do not use hot water to make S-Water™, and do not heat or boil the finished S-Water™.
8. Always use the amount of salt (and vinegar) as per the instructions in this manual. Do not add more.
9. Do not add any ingredients, before or after electrolysis, except for those stated in this Instruction Manual. Fragrances or scented oils will diminish the cleaning and bacteria killing effectiveness of the S-Water™.
10. Always use regular table salt to make S-Water™. Using other kinds of salts, like Epsom salts, will not yield S-Water™ and the resulting solution will not be an effective cleaner or bacteria killer.
11. Do not exceed recommended amount of vinegar when preparing S-Water™ as this can create excessive fumes and cause breathing difficulties.
12. Never electrolyze cleaners, sanitizers or any other flammable, explosive or toxic solution. Electrolysis shall only be supplied to water and salt as instructed in this Instruction Manual.
13. Never mix ammonia products with S-Water™. This practice may produce toxic fumes that can cause breathing difficulties
14. Do not mix S-Water™ with acidic toilet bowl cleaners as this can result in toxic fumes causing breathing difficulties.
15. Do not mix S-Water™ with any other cleaners.
16. Keep this appliance and its cord out of the reach of children younger than 8 years old.
17. This appliance can be used by children aged 8 years and above and by persons with reduced physical, sensory or mental capabilities or lack of experience and knowledge ONLY IF they have been given supervision or instruction concerning use of the appliance in a safe way and understand the hazards involved.
18. Cleaning and user maintenance shall not be made by children unless they are older than 8 years old and supervised by a responsible adult.
19. Children shall not play with this appliance.
20. Do not use this appliance with a damaged cord or plug. If it is not working as it should, or if it has been dropped, damaged, left outdoors, or immersed in water, return it to the distributor. If the supply cord is damaged, it must be replaced by the manufacturer or a qualified repair facility to avoid hazard.
21. If the supply cord on the adapter is damaged, it must be replaced by the manufacturer or its service agent or a similarly qualified person in order to avoid a hazard.
22. Never force the plug into an outlet or pull or carry the unit by the cord. Do not use the cord as a handle, close a door on the cord or pull the cord around sharp edges or corners. Keep the cord away from heated surfaces.
23. Do not use extension cords or outlets with inadequate current-carrying capacity, and in order to avoid circuit overload, do not operate another appliance on the same socket (circuit) as the H2O eMop™.

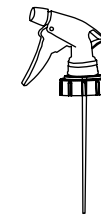
24. Do not operate the H2O eMop™ if it has been damaged in any way.
25. Due to risk of electric shock or fire, do not disassemble the H2O eMop™ unit when in use.
26. To reduce the risk of electric shock, unplug the H2O eMop™ adapter from the outlet when not in use.
27. Never use the H2O eMop™ in frost or temperatures above 50°C/122°F or humid or wet locations.
28. Do not use the S-Water™ on metal and copper surfaces as they may rust as a result.
29. S-Water™ might cause corrosion or damage on unprotected metals and some plastics so it is advisable to wipe them off after application.
30. Do not use H2O eMop™ on unsealed wood floors.
31. Do not use H2O eMop™ on carpet, leather, clothing or any other fabric or soft materials. Continuous use will bleach the color over time.
32. To avoid leakage, check the following points after filling the H2O eMop™ Water Tank with water:
 - Make sure the Water Tank cap is sealed properly and twisted on tight.
 - Check that the water bottle base is fixed properly into the tank.
 - Check the Valve Cap assembly and make sure it is sealed.
33. Do not use this appliance for anything other than its intended use.

SAVE THESE INSTRUCTIONS
FOR HOUSEHOLD USE ONLY

H2O eMop DIAGRAM



Dual Mop Head Cloth
(Microfiber and Coral)



Spray Head

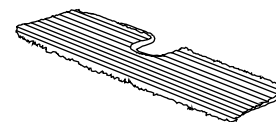


Adapter

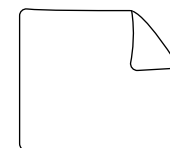


Spoon

OPTIONAL ITEMS



Dual Mop Head Cloth
(Microfiber and Scrubbing)



Microfiber Cloth
for Hand Cleaning



Food Bottle (in white & blue)
with Spray Head Nozzle

ASSEMBLY INSTRUCTIONS

1. Install the Mop Head onto the Water Tank Holder, as shown in figures a) and b) below.

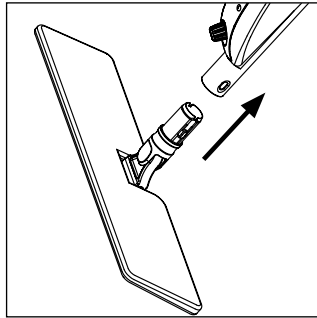


Figure a)

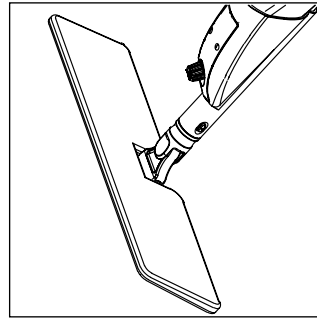


Figure b)

2. Connect the two aluminum pipes as shown below in figures c), d), and e).

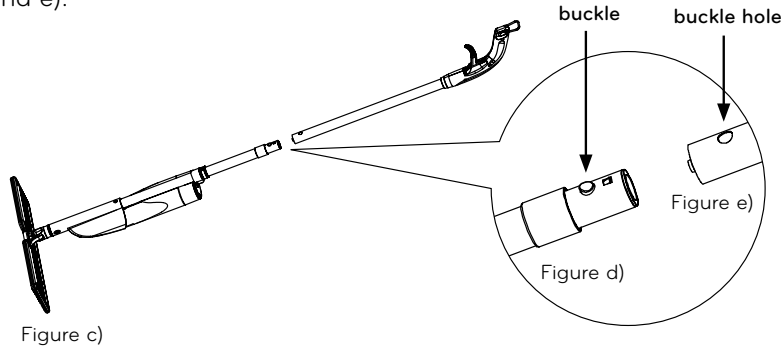


Figure c)

NOTE: The buckle hole on the upper aluminum pipe should be aligned with the buckle on the bottom aluminum pipe when connecting. Make sure that the buckle clicks into the buckle hole for secure assembly.

USER INSTRUCTIONS

1. Fill the Water Tank, shown in figure g) below, with 450ml of regular tap/drinking water (not distilled).
 - ⚠ WARNING** Do not use hot or boiling water to make S-Water™, and do not heat or boil the finished S-Water™.
2. Add one spoon (provided with unit), which equals to 3g, of regular, table salt.
3. Close the tank cover and shake it for a few seconds, until all the salt is dissolved. Then place the Water Tank on a level surface.

NOTE: For optimal results, make sure to shake the water and salt solution until all the salt is dissolved. This will make the S-Water™ more concentrated with the cleaning and bacteria killing oxidants.

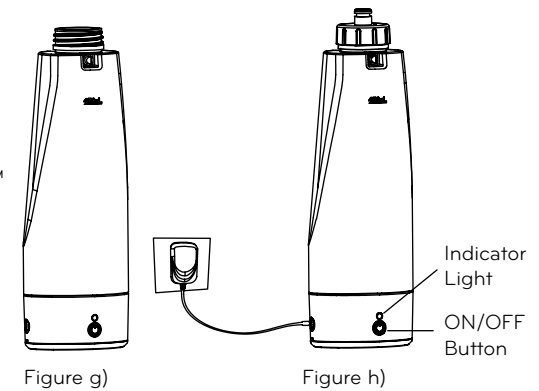


Figure g)

Figure h)

4. Plug in the Adapter into the Water Tank, and then press the ON/OFF button, see figure h) above. The red indicator light will turn red and the electrolysis process will begin.

NOTE: The electrolysis process is preprogrammed to run for 10 minutes, and it will automatically stop after 10 minutes of electrolysis.

5. Once the electrolysis process is done and 10 minutes has passed, the indicator light will turn green, indicating the electrolysis process is complete and the S-Water™ is ready for use.

6. Optional: To create an even more effective bacteria killing version of the S-Water™, after the electrolysis process is done, add one spoon of vinegar (0.21ml) to the Water Tank and shake to mix it in.

NOTE: The generated S-Water™ (with or without vinegar) will be effective for 1-2 weeks. After two weeks, its effectiveness will be lowered considerably.

⚠ WARNING Do not drink, heat, or mix the generated S-Water™ with any cleaning or sanitizing products and keep it out of reach of children.

For Floor Cleaning/Mop Use:

7. Insert the Water Tank into the Water Tank Holder as shown in figures i), j) and k) below. Then, turn Water Tank locking mechanism to secure the Water Tank in place, see figure k).

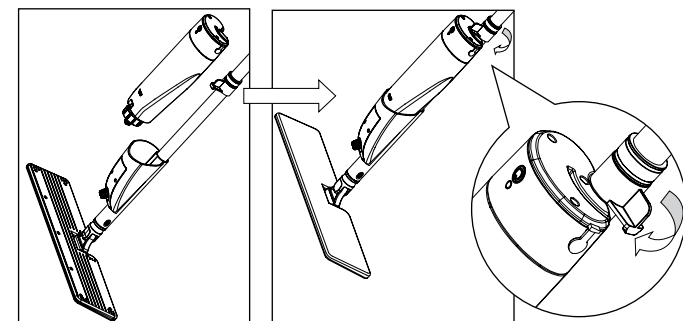


Figure i)

Figure j)

Figure k)

8. Place the Dual Mop Head Cloth onto the Mop Head and press the trigger, shown in Figure l), upwards, in order to spray the S-Water™ from the Nozzle* onto the floor.

*NOTE: Turn the Nozzle in either direction, as shown in Figures l) and m) below and choose between a more concentrated or wide spray mode.

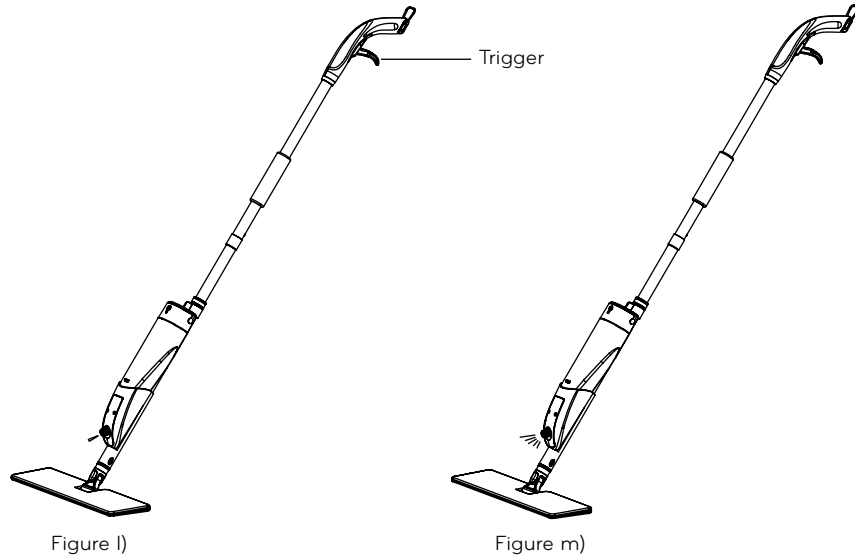


Figure l)

Figure m)

For Spray Bottle Use:

9. Place Spray Head, shown in Figure n), onto the Water Tank.

*NOTE: Turn the Spray Head nozzle in either direction, as shown in Figures o) and p) below and choose between a more concentrated or wide spray mode.

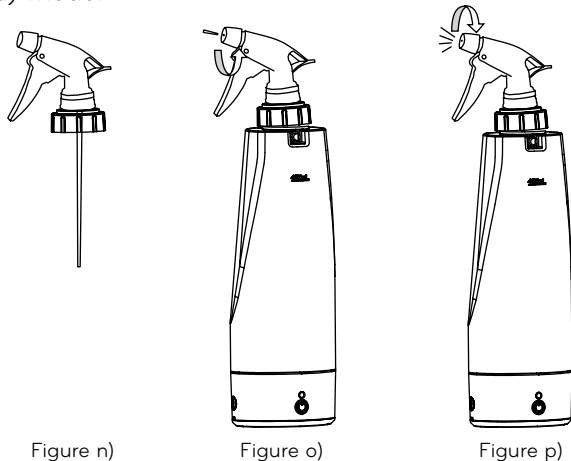


Figure n)

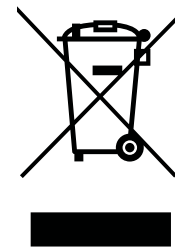
Figure o)

Figure p)

CLEANING & MAINTENANCE

- Dual Mop Head Cloths are machine washable or they can be rinsed under tap water. Always, make sure they are completely dry before next use.
- The H2O eMop Main Unit can be cleaned with a damp cloth.
- The inside of the H2O eMop Water Tank can be cleaned thoroughly with vinegar. Place approximately 50ml of vinegar and 200ml of water into the Water Tank and turn the unit ON. Once the 10-minute electrolysis process is done, empty the Water Tank, rinse thoroughly with regular tap water and use new water to make the next batch of S-Water™.
- It is recommended to clean the inside of the Water Tank if it is used for electrolysis more than once. For example, if you are making multiple batches back to back and having the electrolysis process run for more than 15-20 minutes, add vinegar to the water tank after use and shake it and soak the metal electrolysis net for about 3 minutes. After cleaning with vinegar, rinse it thoroughly with regular tap water again.

CORRECT DISPOSAL OF THIS PRODUCT



This marking indicates that this product should not be disposed with other household wastes throughout the EU. To prevent possible harm to the environment or human health from uncontrolled waste disposal, recycle it responsibly to promote the sustainable reuse of material resources. To return your used device, please use the return and collection systems or contact the retailer where the product was purchased. They can take this product for environmentally safe recycling.



Distributed by:

Thane Canada Inc.
Mississauga ON L4W 5M6, Canada
www.thane.ca

Thane USA, Inc.
Canton OH 44718, U.S.A.
www.thane.com

Thane Direct UK Limited
+44 (0)20 3455 8520
www.thane.tv

Danoz Direct Pty Ltd.
Bondi Junction, NSW, 2022, Australia
www.danoz.com.au

OPERADORA AINOA SAPI DE CV
Av. Magnocentro No. 5 Piso 1 Centro Urbano Interlomas,
Municipio Huixquilucan de Degollado, Estado de México. C.P: 52760
www.mejorcompratv.com

TVNS Scandinavia AB
SE-211 74 Malmö, Sweden
www.tvns.com

© 2019 Thane IP Limited.

"Thane", "H2O eMop" and related logos and variations are trademarks or registered trademarks, in Canada and/or other countries, of Thane IP Limited and/or its affiliated companies.