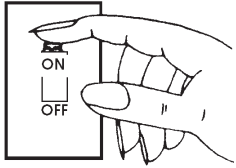


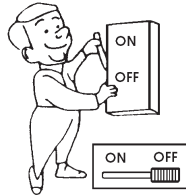
INSTALLATION INSTRUCTIONS

READ IMPORTANT SAFETY TIPS BEFORE PROCEEDING WITH INSTALLATION

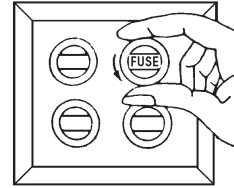
SAFETY TIPS



Turn fixture off! (Place wall switch in off position, if fixture has built-in switch or chain pull, switch or pull chain so fixture is off.)

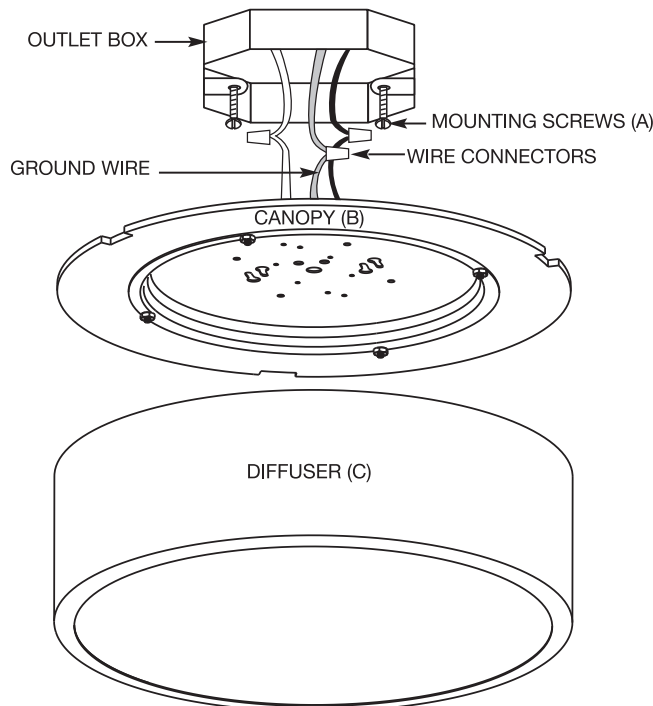


Next - go to the main fuse box. If your fuse box has an ON/OFF switch, simply place main power switch in OFF position.



Screw-in type fuses - unscrew the fuse or fuses that control the power to the fixture or room you are working in.

FLUSH MOUNT



- 1) Thread 1" long mounting screws (A) into outlet box. Be sure to leave enough of the screw extended to allow the attachment of the canopy (B).
- 2) **CONNECT THE WIRES.** NOTE: Attach black fixture wire to black supply wire, white fixture wire to white supply wire. Do not mix them up. Use approved wire connectors. Connect fixture ground wire(s) to ground wire from outlet box. NEVER CONNECT GROUND WIRE TO BLACK OR WHITE POWER SUPPLY WIRES.
- 3) After the wires are connected, carefully tuck them into the outlet box. Position canopy (B) to outlet box and secure with mounting screws (A). Select appropriate keyhole slots.
- 4) Place canopy (B) over the mounting screw heads (A) through the slotted key hole openings. Twist canopy (B) so fixture pan sits on screw heads. Tighten screws (A) till fixture fits firmly on ceiling. Do not over-tighten screws so not to deform fixture pan.
- 5) If incandescent fixture install 40W A19 lamps, If LED fixture No lamps are required.
- 6) Install diffuser by using location tabs and twist to set position.



CLEAN ONLY WITH MILD SOAP AND WATER. AVOID SPRAYING WITH CLEANSERS, INSECTICIDES, AND PESTICIDES THAT ARE PETROLEUM BASED HYDROCARBON PRODUCTS. THESE WILL DEGRADE LUMINAIRE.

CAUTION: Do not turn on without diffuser installed. Do not touch LEDs or circuit board. LED optics could be damaged. No lamp replacement required! Integral LED light engine supplied. Do not remove protective cover from LED light engine.

OPTIONAL KIT INSTALLATION INSTRUCTIONS

PENDANT MOUNT (PENDANT KIT SOLD SEPERATELY)

ASSEMBLE THE FIXTURE:

- 1) Attach 6" or 13" rod (C) to center mount hole of each support housing (B) using 9/16" nuts and 9/16" split lock washers as shown.
- 2) Cut to length SVT cord or 3 pieces of 18 AWG wire (A) for Line, Neutral, and Ground to and push each through rod (C).
- 3) Cut original ground wire from fixture (E). Install bare ground wire (D) in center hole on top of canopy (F) using 1 9/16" nut (G), 1 lock washer (H), 1/2" long nipple (J), and cap nut (K) as shown. Be sure cap nut is on lamp side of fixture.
- 4) **CONNECT FIXTURE WIRES TO ROD WIRES:** Attach black fixture wire to black rod wire, white fixture wire to white rod wire. Do not mix them up. Use approved wire connectors. Connect bare fixture ground wire to ground wire from rod. NEVER CONNECT GROUND WIRE TO BLACK OR WHITE WIRES.
- 5) Insert 2 screws (L) through slotted key hole openings in canopy (F) and support housing (B) as shown and attach 8-32 nuts. Tighten until canopy fits firmly on support housing. Do not over-tighten screws so not to deform fixture pan.

MOUNT FIXTURE TO CEILING:

- 1) **CONNECT FIXTURE WIRES TO SUPPLY WIRES:** Attach black fixture wire to black supply wire, white fixture wire to white supply wire. Do not mix them up. Use approved wire connectors (not provided). Connect bare fixture ground wire to ground supply wire. NEVER CONNECT GROUND WIRE TO BLACK OR WHITE WIRES.
- 2) Screw mounting screws (A) into outlet box. Slide fixture (B) over mounting screws as shown and secure cap nuts (C) to mounting screws (A) and tighten against the ceiling.
- 3) If incandescent fixture install 40W A19 lamps, If LED fixture No lamps are required.
- 4) Install diffuser by using location tabs and twist to set position.

CABLE MOUNT (CABLE KIT SOLD SEPERATELY)

ASSEMBLE THE FIXTURE:

- 1) Determine distance from Ceiling the top of fixture will hang. Cut SVT cord (A) leaving 6" additional on each end. Strip and spit 4 inches each end.
- 2) Pass SVT cord through center hole of cable mount housing (B) and support housing (C) with open sides facing out as shown. Tie knot at each end of SVT cord to prevent cable from dropping through center hole.
- 3) Cut original ground wire from fixture (E). Install bare ground wire (D) in center hole on top of canopy (F) using 9/16" nut (G), 1 lock washer (H), 1/2" long nipple (J), and cap nut (K) as shown. Be sure cap nut is on lamp side of fixture.
- 4) **CONNECT FIXTURE WIRES TO SVT CORD WIRES:** Attach black fixture wire to black SVT wire, white fixture wire to white SVT wire. Do not mix them up. Use approved wire connectors. Connect bare fixture ground wire to ground wire from SVT. NEVER CONNECT GROUND WIRE TO BLACK OR WHITE WIRES.
- 5) Insert 2 screws (L) through slotted key hole openings in canopy (F) and support housing (B) as shown and attach 8-32 nuts. Tighten until canopy fits firmly on support housing. Do not over-tighten screws so not to deform fixture pan.
- 6) Screw cable end connectors (N) to threaded couplings on top of canopy (F). Pull each cable through cable lock (M) until all slack is removed and the canopy (F) hangs level. If necessary, cable can be pulled opposite direction to provide slack by pushing on spring loaded tip of cable lock (M).
- 7) Once cables are adjusted to height, thread 3 safety stops (P) as shown on to support cables. Cut cables to remove excess.

MOUNT FIXTURE TO CEILING:

- 1) **CONNECT FIXTURE WIRES TO SUPPLY WIRES:** Attach black fixture wire to black supply wire, white fixture wire to white supply wire. Do not mix them up. Use approved wire connectors. Connect bare fixture ground wire to ground supply wire. NEVER CONNECT GROUND WIRE TO BLACK OR WHITE WIRES.
- 2) Screw mounting screws (A) into outlet box. Slide fixture (B) over mounting screws as shown and secure cap nuts (C) to mounting screws (A) and tighten against the ceiling.
- 3) If incandescent fixture install 40W A19 lamps, If LED fixture No lamps are required.
- 4) Install diffuser by using location tabs and twist to set position.

THREE YEAR (36 MONTH) LIMITED WARRANTY

Solo Lights warrants this lighting fixture to be free from defects in material and workmanship for a period of three (3) years from the date of purchase and agrees, at its option, to repair or replace any defective product without charge. **IMPORTANT: THIS WARRANTY DOES NOT COVER ANY DAMAGE RESULTING FROM ACCIDENT, MISUSE OR ABUSE, ABNORMAL USAGE, FAULTY INSTALLATION, NON-RESIDENTIAL USE, NEGLIGENCE, DAMAGE IN TRANSIT, OR REPAIR OR ALTERATIONS TO THE PRODUCT, IMPROPER MAINTENANCE, OR ANY CAUSE, OTHER THAN OUR DEFECTIVE MATERIAL OR WORKMANSHIP.**

For warranty service, call Solo Lights at 314-779-6332 to request RGA.

NOTE: Solo Lights shall not be liable for any special, incidental, or consequential damages arising out of or in connection with the use, manufacture, design, sale, or performance of its products.

No other warranties, express or implied, written or oral are authorized by Solo Lights. **ALL IMPLIED WARRANTIES, INCLUDING THE WARRANTIES OF MERCHANTABILITY AND FITNESS FOR A PARTICULAR PURPOSE SHALL BE LIMITED IN DURATION FOR A PERIOD OF 36 MONTHS FROM THE ORIGINAL DATE OF PURCHASE.** Seller shall in no event be liable for any breach of warranty in an amount that exceeds the price of the specific product.

This warranty gives you specific legal rights. You may also have other rights which vary from state to state. Some states do not allow the exclusion or limitation of incidental or consequential damages or the limitation on the duration of how long an implied warranty lasts, so the above exclusions and limitations may not apply to you.

Solo Lights takes pride in this production and we hope that it brings you many years of enjoyment.

If you have comments, please call 314-779-6332.