

# SPRINGFIELD ARMORY. USA

DEFEND YOUR LEGACY.

# XDM<sup>M</sup>

## User Instruction Manual



.177 Cal. (4.5mm) CO<sub>2</sub> BB Pistols  
3.8" Compact & 4.5" Full-Size

Air  
Venturi  
THE HEART OF AIR

# Contents

Rules For Safe Shooting.....	3
Learning the Parts of Your Airgun.....	4
Operating the Safety.....	5
Installing CO2 Capsules.....	6
Loading the Magazine.....	7
Operating the Pistol.....	8
Back Strap Replacement.....	9
Grip Extension Replacement.....	10
Care & Maintenance.....	11
Repair/Service/Warranty.....	12



**CAUTION:** EYE PROTECTION REQUIRED.  
WEAR YOUR SHOOTING GLASSES.



READ THIS OWNERS MANUAL COMPLETELY. This airgun is not a toy. Treat it with the same respect you would a firearm. Always carefully follow the safety instructions found in this owner's manual and keep this manual in a safe place for future use.



**WARNING:** NOT A TOY. ADULT SUPERVISION IS REQUIRED  
MISUSE MAY CAUSE SERIOUS INJURY OR DEATH.  
READ THIS OWNER'S MANUAL BEFORE USING. MAY BE DANGEROUS UP TO  
300 YARDS (274 METERS).



**WARNING:** THIS PRODUCT CAN EXPOSE YOU TO CHEMICALS  
INCLUDING LEAD, WHICH IS KNOWN TO THE STATE OF  
CALIFORNIA TO CAUSE CANCER AND BIRTH DEFECTS OR OTHER REPRODUCTIVE  
HARM. FOR MORE INFORMATION GO TO [WWW.P65WARNINGS.CA.GOV](http://WWW.P65WARNINGS.CA.GOV).



**WARNING:** DO NOT BRANDISH OR DISPLAY THIS AIRGUN  
IN PUBLIC - IT MAY CONFUSE PEOPLE AND MAY  
BE A CRIME. POLICE AND OTHERS MAY THINK THIS AIRGUN IS A FIREARM.  
DO NOT CHANGE THE COLORATION AND MARKINGS TO MAKE IT LOOK  
MORE LIKE A FIREARM. THAT IS DANGEROUS AND MAY BE A CRIME.



**WARNING:** BUYER AND USER HAVE THE RESPONSIBILITY  
TO OBEY ALL WARNINGS AND CAUTIONS  
REGARDING THE USE OF GAS PROPELLENT.

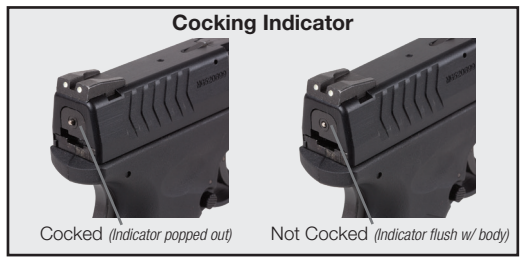


**WARNING:** BUYER SHOULD BE AT LEAST 18 YEARS OF AGE  
TO PURCHASE THIS AIRGUN. CAREFULLY  
READ AND UNDERSTAND THESE INSTRUCTIONS BEFORE USING THIS  
AIRGUN. BUYER AND USER HAVE THE DUTY TO OBEY ALL LAWS  
REGARDING THE PURCHASE, USE, AND OWNERSHIP OF THIS AIRGUN.

# Rules for Safe Shooting

- **NEVER** point the Airgun at any person.
- **NEVER** point the Airgun at anything you do not intend to shoot.
- **ALWAYS** treat the Airgun as if it was loaded and handle it with the same respect you would a firearm.
- **ALWAYS** aim in a **SAFE DIRECTION**.
- **ALWAYS** keep the muzzle pointed in a **SAFE DIRECTION**.
- **NEVER** put any part of your hand over the muzzle.
- **ALWAYS** keep the Airgun on “**SAFE**” until you are ready to shoot in a **SAFE DIRECTION**.
- **CHECK** behind and beyond your target to be certain you have a safe backstop and that no person or property can be endangered.
- Place the backstop in a location that will be safe should the backstop fail.
- Replace the backstop if it becomes worn.
- **ALWAYS** be sure of your target and what lies beyond it in case you miss.
- **NEVER** shoot at hard surfaces, water or anything else that may cause a ricochet.
- This Airgun may only be used where your local laws permit or at shooting ranges allowed by the law, and only if the ammunition does not travel further than the shooting area. Keep in mind the maximum range of the ammunition. **ALWAYS** abide by laws and regulations that apply to Airgun.
- **ALWAYS** check to see if the Airgun is ON “**SAFE**” and unloaded when getting it from another person or from storage.
- **ALWAYS** keep your finger off the trigger and away from the trigger guard until ready to shoot.
- You and others with you should **ALWAYS** wear safety shooting glasses to protect your eyes.
- If your reading or prescription glasses are not certified safety glasses, make sure you wear shooting glasses over your regular glasses.
- **NEVER** load your Airgun until you’re ready to shoot and it’s safe to do so.
- **ALWAYS** use the correct caliber ammunition that is suitable for the Airgun. Use **ONLY** ammunition designed for this Airgun.
- **NEVER** reuse ammunition.
- **ALWAYS** store the Airgun with the safety on “**SAFE**”, unloaded, uncocked, separated from the ammunition, out of the reach of children, and in a secure location to prevent unauthorized people from accessing it.
- **DO NOT** attempt to disassemble or tamper with the Airgun.
- **ALWAYS** store this Airgun in a safe location.
- **ALWAYS** store ammunition separately from the gun.
- **ALWAYS** unload the Airgun before giving it to someone else.
- **ALWAYS** read and follow the manufacturer’s manual and instructions.
- **NEVER** let a person who has not completely read this manual use this product.

# Parts of Your Airgun



# Safety

## **⚠ CAUTION:**

- ONLY HANDLE THE AIRGUN WHEN IT IS ON SAFE.
- ALWAYS MAKE SURE THAT THE MUZZLE POINTS INTO A SAFE DIRECTION.

Your Springfield Armory® XD(M)® airgun has three safeties. A manual safety, a grip safety and a trigger safety.

### 1. Manual Safety



### 2. Functional Grip Safety

NOTE: The grip safety must be fully depressed for the airgun to fire.

### 3. Trigger Safety

SAFE



FIRE



NOTE: The trigger safety must be fully depressed for the airgun to fire.

## **⚠ CAUTION:**

LIKE ALL MECHANICAL DEVICES, AN AIRGUN SAFETY CAN FAIL. EVEN WHEN THE SAFETY IS "ON SAFE", YOU SHOULD CONTINUE TO HANDLE THE AIRGUN SAFELY. NEVER POINT THE AIRGUN AT ANYTHING YOU DO NOT INTEND TO SHOOT.

## **! WARNING:**

BE SURE THE AIRGUN IS ALWAYS POINTED IN A SAFE DIRECTION. NEVER POINT THE AIRGUN AT ANY PET OR PERSON EVEN IF IT IS UNLOADED. ALWAYS ASSUME AND HANDLE THE AIRGUN AS IF IT WERE LOADED AND READY TO FIRE.

# Installing CO<sub>2</sub> Capsule

**! WARNING:** CO<sub>2</sub> CAPSULES MAY EXPLODE AT TEMPERATURES ABOVE 122° F. DO NOT MUTILATE OR INCINERATE THEM. DO NOT EXPOSE THEM TO HEAT OR STORE CO<sub>2</sub> CAPSULES AT TEMPERATURES ABOVE 122° F.



1. Press the magazine release. The magazine will drop free from the pistol.

2. Remove the magazine floor plate by pulling the floor plate follower down (2.1) & sliding the floor plate forward (2.2), exposing the capsule piercing screw.

3. Turn the capsule piercing screw counter-clockwise with the included allen key until the piercing screw is removed.

4. Insert one CO<sub>2</sub> capsule as shown.

5. Turn the capsule piercing screw clockwise with the included allen key until tight. The capsule is now pierced.

6. Replace the floor plate by sliding it back onto the bottom of the magazine.

7. Insert the magazine into the pistol grip.

*NOTE: A slight seepage of CO<sub>2</sub> may occur until piercing screw is tight.*

*NOTE: Never try to force any CO<sub>2</sub> capsule into or out of place. Do not store your airgun with a CO<sub>2</sub> capsule in it. If you know you will not be using your airgun for an extended period of time, empty the CO<sub>2</sub> capsule and remove it from the airgun. This is very important to remember, as it will prolong the longevity of your airgun seals.*

**! WARNING:** USE ONLY 12 GRAM CO<sub>2</sub> CAPSULES. ANY ATTEMPT TO USE OTHER TYPES OF GAS CAPSULES COULD BE EXTREMELY DANGEROUS AND COULD RESULT IN SERIOUS INJURY OR DEATH. GASES OTHER THAN CO<sub>2</sub> COULD RESULT IN AN EXPLOSION OR RUPTURE OF THE AIRGUN.

**! WARNING:** KEEP HANDS AND FACE AWAY FROM ESCAPING CO<sub>2</sub> GAS. IT CAN CAUSE FROSTBITE IF ALLOWED TO COME IN CONTACT WITH SKIN. ALWAYS MAKE SURE THE CO<sub>2</sub> CAPSULE IS EMPTY BEFORE ATTEMPTING TO REMOVE IT FROM THE AIRGUN BY SLOWLY TURNING THE GAS CAPSULE PIERCING SCREW COUNTER-CLOCKWISE ALL THE WAY UNTIL YOU NO LONGER HEAR THE ESCAPE OF THE CO<sub>2</sub> GAS.

# Loading the Magazine



1. Press the magazine release. The magazine will drop free from the pistol.
2. Using the included loading assist (2.1), pull the follower down until the loading area is exposed (2.2). The follower will need to be held in place.

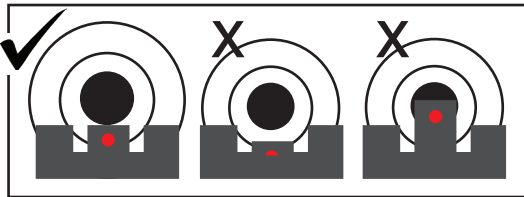
3. Load BBs (up to 20) and release the follower once complete.
4. Insert the magazine into the pistol grip. You will feel it lock into place when it is fully inserted.

## CAUTION:

USE ONLY .177 CALIBER (4.5 MM) BBs. DO NOT ATTEMPT TO REUSE BBs THAT HAVE BEEN FIRED OR ARE DEFORMED. DO NOT USE BUCK SHOT, DARTS, BALL BEARINGS, OR OTHER FOREIGN OBJECTS BECAUSE THEY CAN CAUSE INJURY TO YOU OR SOMEONE ELSE OR MAY DAMAGE AND/OR JAM THE AIRGUN.

# Operation

- You and others with you should always wear shooting glasses to protect your eyes
- Always aim your air pistol in a **SAFE DIRECTION**. When you are sure of your target and backstop, and the area around the target is clear, take “OFF SAFE” and squeeze the trigger to fire.
- Do not shoot at hard surfaces or the surface of water. Projectiles may bounce off or ricochet and hit someone or something you had not intended to hit.
- Do not shoot at fragile surfaces such as glass or mirrors.
- Always choose your target carefully. Only targets which cannot be completely penetrated or which will not cause ricochets should be used.
- Your backstop should be checked for wear before and after each use. Replace your backstop if the surface is worn or damaged, or if a ricochet occurs.
- The air pistol is correctly aimed when the front sight blade is positioned exactly in the notch and even with the rear sight. The top of the front sight blade should be even with the top of the notch in the rear sight. The bullseye should appear to rest on the top of the front sight.



**⚠ CAUTION:**  
THE SLIDE BLOWS BACK, MEANING IT SHIFTS REARWARD. KEEP HANDS AND FINGERS AWAY FROM PINCH POINTS.





# Back Strap Replacement

Your Springfield Armory® XD(M)® air pistol comes with interchangeable back straps to change the size of the grip.

## REMOVING THE BACK STRAP

1. Carefully remove the back strap retention pin with an appropriately sized punch or Allen key. This can be done by pushing on the pin from either side of the grip.
2. With the pin removed, grip the bottom of the back strap and lift up and away from the grip.



## INSTALLING THE BACK STRAP

3. Starting at 45 degree angle from the grip, insert the upper portion of back strap into the frame. Rotate/press downward until the grip is properly aligned.
4. Install the back strap retention pin.



## CAUTION:

BEFORE ANY CARE, CLEANING OR MAINTENANCE, ALWAYS BE SURE YOUR AIRGUN IS UNLOADED. KEEP POINTED IN A SAFE DIRECTION. IT IS IMPORTANT TO PERFORM ROUTINE INSPECTIONS AND MAINTAIN YOUR AIRGUN PROPERLY.

# Replacing the Grip Extension

(3.8 Compact version only)

Your Springfield Armory® XD(M)® 3.8 Compact air pistol comes with interchangeable grip extensions to accompany the interchangeable backstraps.

1. With the magazine removed from the pistol, locate the grip extension at the bottom of the magazine.



2. Pull the extension up and off of the magazine.



3. Slide the preferred size extension down in the orientation shown. Press the extension firmly to the bottom of the magazine until it sits flush against the magazine base plate.



# Care & Maintenance

**! WARNING:** MAKE SURE THAT THE MUZZLE OF THE AIRGUN ALWAYS POINTS INTO A SAFE DIRECTION. NEVER AIM AT PETS OR UNSUSPECTING PERSONS. ALWAYS TREAT YOUR AIRGUN AS IF IT WAS LOADED AND READY TO FIRE.

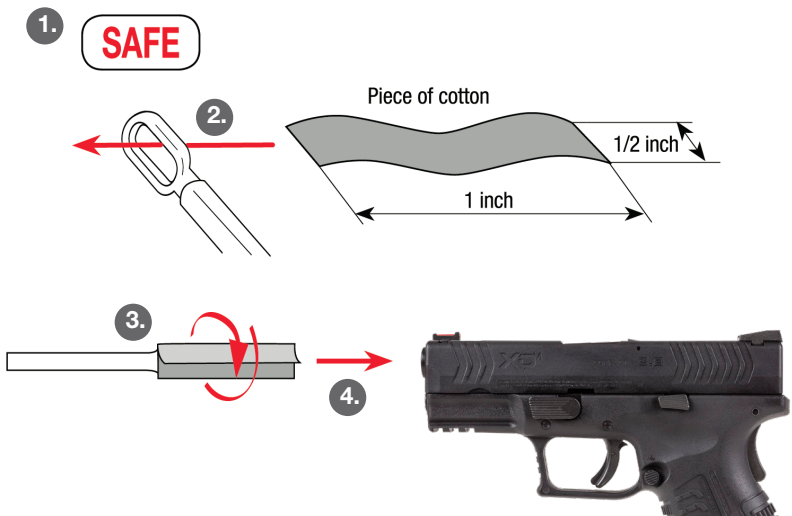
**! WARNING:** NEVER ATTEMPT TO CLEAN THE AIRGUN WITHOUT HAVING PUT THE SAFETY ON SAFE FIRST, REMOVE THE MAGAZINE AND CHECK THE BARREL, IT MUST BE CLEAR.

The exposed metal parts should be wiped clean using a slightly oiled cloth after handling to prevent rust. Use light acid free and resin free oil. Perform routine inspections of the Airgun to check for proper operation.

## **! CAUTION:**

OILS THAT CONTAIN ACID OR RESIN CAN DAMAGE SEALS AND POSSIBLY THE FINISH OF THE PISTOL.

- Do not force the rod into the barrel, as this could cause damage.
- Never drip silicone oil directly into the barrel.



# Warranty

## REPAIR / SERVICE / WARRANTY

**NOTE:** Do not return defective or damaged products to the dealer. If your Airgun needs repair, call Air Venturi® 216-220-1180 and ask for Service Department. **DO NOT ATTEMPT TO DISASSEMBLE IT!** Your Airgun requires special tools and fixtures to repair it. Any disassembly or modification not performed by Air Venturi® will void the warranty.

### 90 day Limited Warranty

This product is warranted to the retail consumer for 90 days from date of retail purchase against defects in material and workmanship. In the unlikely event there are any defects in materials or workmanship in the first 90 days after retail purchase, we will repair or replace the defective items under warranty.

#### What is covered:

Replacement parts and labor. Transportation charges to consumer for repaired product.

#### What is NOT covered:

Transportation charges to Air Venturi for defective products.

Any damage or faults caused by owner misuse, action or inaction.

Damages caused by abuse or failure to perform normal maintenance.

Any other expense.

Parts subject to normal wear and tear.

Consequential damages, incidental damages or incidental expenses including damage to property.

This warranty is in addition to your statutory rights. Retain your sales receipt as proof of purchase.

**NOTE:** *Some states do not allow the exclusion or limitation of incidental or consequential damages, so the above limitation or exclusion may not apply to you.*

#### Warranty claims:

Call Air Venturi at **216-220-1180** before returning any product.

#### Implied warranties:

Any implied warranties, including the implied warranties of merchantability and fitness for a particular purpose, are limited in duration to 90 days from date of retail purchase.

**NOTE:** *Some states do not allow limitations on how long an implied warranty lasts, so the above limitation may not apply to you.*

To the extent any provision of this warranty is prohibited by federal, state or municipal law which cannot be preempted, it shall not be applicable. This warranty gives you specific legal rights, and you may also have other rights which vary from state to state and country to country. Illustrations and photographs are for information purposes only and may not show the exact model purchased.

#### The warranty shall be invalid if the Airgun:

- Has been incorrectly disassembled, reassembled or maintained.
- Has been fitted with non-Air Venturi parts.
- Has been abused, misused or improperly stored.
- Original purchase receipt cannot be presented.



Regeln fürs sichere Schießen.....	3
Lernen Sie die Teile Ihres Luftgewehrs kennen.....	4
Bedienung der Sicherheit.....	5
CO2-Kapseln installieren.....	6
Laden des Magazins.....	7
Benutzung der Pistole.....	8
Rückengurt ersetzen.....	9
Griffverlängerung ersetzen.....	10
Pflege & Instandhaltung.....	11
Reparatur/Service/Garantie.....	12



**ACHTUNG:** **SCHUTZBRILLE VORGESCHRIEBEN. TRAGEN SIE IHRE SCHUTZBRILLE BEIM SCHIESSEN.**



LESEN SIE SICH DIESE BETRIEBSANLEITUNG VOLLSTÄNDIG DURCH. Dieses Luftgewehr ist kein Spielzeug. Behandeln Sie sie mit der gleichen Sorgfalt wie eine echte Schusswaffe. Befolgen Sie stets die Sicherheitshinweise in dieser Bedienungsanleitung und bewahren Sie diese Anleitung sicher für die zukünftige Verwendung auf.



**WARNUNG:** KEIN SPIELZEUG. NUR UNTER AUFSICHT VON ERWACHSENEN VERWENDEN MISSBRAUCH KANN ZU SCHWEREN VERLETZUNGEN ODER ZUM TOD FÜHREN. LESEN SIE VOR GEBRAUCH DIESE BETRIEBSANLEITUNG. KANN BIS 274 METER GEFÄHRLICH SEIN.



**WARNUNG:** DIESES PRODUKT KANN SIE CHEMIKALIEN AUSSETZEN EINSCHLIESSLICH BLEI, DAS DEM BUNDESSTAAT KALIFORNIEN BEKANNT IST, KREBS UND GEBURTSFEHLER ODER ANDERE FORTPFLANZUNGSSCHÄDEN ZU VERURSACHEN. WEITERE INFORMATIONEN FINDEN SIE UNTER [WWW.P65WARNINGS.CA.GOV](http://WWW.P65WARNINGS.CA.GOV).



**WARNUNG:** SCHWINGEN SIE DIESES LUFTGEWEHR NICHT UND STELLEN SIE ES NICHT ÖFFENTLICH ZUR SCHA IN DER ÖFFENTLICHKEIT - ES KANN MENSCHEN VERUNSICHERN UND KANN EINE STRAFTAT DARSTELLEN. POLIZEI UND ANDERE MÖGEN DENKEN, DASS DIESES LUFTGEWEHR EINE SCHUSSWAFFE IST. ÄNDERN SIE NICHT DIE FARBE ODER MARKIERUNGEN, UM DIE PISTOLE WIE EINE ECHTE HANDFEUERWAFFE AUSSEHEN ZU LASSEN. DIES KÖNNTE GEFÄHRLICH UND EIN STRAFTATBESTAND SEIN.



**WARNUNG:** ES LIEGT IN DER VERANTWORTUNG DES KÄUFERS UND VERWENDERS, ALLE WARNUNGEN UND HINWEISE BEZÜGLICH DER VERWENDUNG VON TREIBGAS ZU BEFOLGEN.

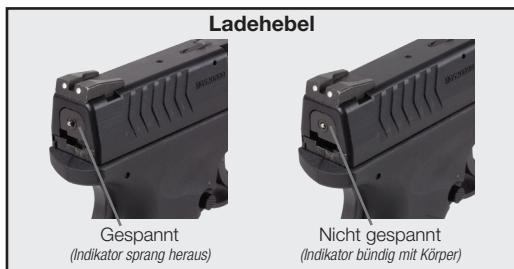


**WARNUNG:** DER KÄUFER SOLLTE MINDESTENS 18 JAHRE ALT SEIN, UM DIESES LUFTGEWEHR KAUFEN ZU DÜRFEN. LESEN UND VERSTEHEN SIE DIESE ANLEITUNG SORGFÄLTIG, BEVOR SIE DIESES LUFTGEWEHR BENUTZEN. KÄUFER UND BENUTZER SIND VERPFLICHTET, ALLE GESETZE BEZÜGLICH DES KAUFES, DER VERWENDUNG UND DES EIGENTUMS DIESES LUFTGEWEHRS EINZUHALTEN.

# Regeln fürs sichere Schießen

- Zielen Sie mit dem Luftgewehr **NIEMALS** auf einen anderen Menschen.
- Zielen Sie mit dem Luftgewehr **NIEMALS** auf ein Ziel, auf das Sie nicht schießen möchten.
- Behandeln Sie das Luftgewehr **IMMER** so, als sei es geladen und handhaben Sie es mit der gleichen Sorgfalt wie eine Schusswaffe.
- Zielen Sie **IMMER** in eine **SICHERE RICHTUNG**.
- Zielen Sie mit dem Lauf **IMMER** in eine **SICHERE RICHTUNG**.
- Legen Sie **NIEMALS** Ihre Hand über den Lauf.
- Lassen Sie die Luftwaffe **IMMER** auf "**SAFE**" stehen, bis Sie zum Schießen in eine **SICHERE RICHTUNG** bereit sind.
- **ÜBERPRÜFEN** Sie hinter und außerhalb Ihres Ziels, dass Sie einen sicheren Kugelfang haben und dass keine Person oder Eigentum gefährdet wird.
- Positionieren Sie den Kugelfang an einem Ort, der auch bei Versagen des Kugelfangs sicher ist.
- Ersetzen Sie den Kugelfang, wenn dieser abgenutzt ist.
- Gehen Sie **IMMER** sicher, dass Sie wissen, wo sich Ihr Ziel befindet und was dahinter liegt, für den Fall, dass Sie es verfehlen.
- Schießen Sie **NIEMALS** auf eine harte Oberfläche, Wasser oder andere Gegenstände, die Querschläger verursachen können.
- Diese Airsoft Pistole darf nur verwendet werden, wenn die örtliche Gesetzgebung dies erlaubt oder auf Schießständen, wo es das Gesetz erlaubt, und nur dann, wenn die Munition nicht über den Schießbereich hinausfliegen kann. Bedenken Sie die maximale Reichweite der Munition. Befolgen Sie **IMMER** die Gesetze und Vorschriften in Bezug auf Luftgewehre.
- Überprüfen Sie **IMMER**, dass das Luftgewehr auf "**SICHER**" steht und entladen ist, wenn Sie es von einer anderen Person in Empfang oder aus der Aufbewahrung nehmen.
- Halten Sie Ihre Finger **IMMER** vom Abzug und Abzugsbügel fern, bis Sie bereit sind zu schießen.
- Sie und andere Personen in der Nähe sollten **IMMER** Schutzbrillen fürs Schießen tragen, um Ihre Augen zu schützen.
- Wenn Ihre Lesebrille oder Brille mit geschliffenen Gläsern keine zertifizierte Schutzbrille ist, stellen Sie sicher, dass Sie eine Schutzbrille zum Schießen über Ihrer regulären Brille tragen.
- Laden Sie **NIEMALS** Ihr Luftgewehr, bevor Sie bereit sind zu schießen und die Waffe sicher geladen werden kann.
- Benutzen Sie **IMMER** Munition des korrekten und für das Luftgewehr geeigneten Kalibers. Benutzen Sie **NUR** Munition, die für dieses Luftgewehr entwickelt wurde.
- Benutzen Sie Munition **NIEMALS** mehrmals.
- Bewahren Sie das Luftgewehr **IMMER** mit der Sicherung auf "**SICHER**", ungeladen, entspannt, von der Munition getrennt, außerhalb der Reichweite von Kindern und an einem sicheren Ort auf, um zu verhindern, dass unbefugte Personen Zugang zu der Waffe erhalten.
- Versuchen Sie **NICHT** das Luftgewehr auseinander zu nehmen oder dieses zu manipulieren.
- Bewahren Sie dieses Luftgewehr **IMMER** an einem sicheren Ort auf.
- Bewahren Sie Munition **IMMER** getrennt von der Waffe auf.
- Entladen Sie das Luftgewehr **IMMER**, bevor Sie dieses einer anderen Person geben.
- Lesen und befolgen Sie **IMMER** die Betriebsanleitung und Anweisungen des Herstellers.
- Lassen Sie **NIEMALS** Personen dieses Produkt benutzen, die diese Betriebsanleitung nicht vollständig gelesen haben.

# Einzelteile Ihrer Airsoft Pistole



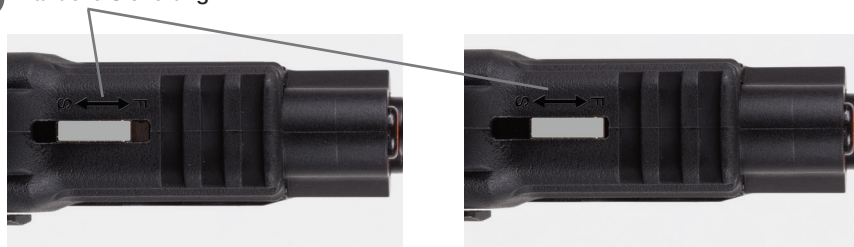
# Sicherung

## **! ACHTUNG:**

- HANDHABEN SIE DAS LUFTGEWEHR NUR, WENN DIE SICHERUNG AUF "SICHER" STEHT.
- STELLEN SIE IMMER SICHER, DASS DER LAUF IN EINE SICHERE RICHTUNG ZEIGT.

Ihr Springfield Armory® XD(M)® - Luftgewehr verfügt über drei Sicherheiten. Eine manuelle Sicherung, eine Griffsicherung und eine Abzugssicherung.

### 1. Manuelle Sicherung



### 2. Funktionelle Griffsicherung

**HINWEIS:** Die Griffsicherung muss vollständig niedergedrückt sein, damit das Luftgewehr abfeuern kann.

### 3. Abzugssicherung

**SICHERES**



**SCHIESSEN**



**HINWEIS:** Die Abzugssicherung muss vollständig niedergedrückt sein, damit das Luftgewehr abfeuern kann.

## **! ACHTUNG:**

WIE ALLE MECHANISCHEN GERÄTE, KANN DIE SICHERUNG EINES LUFTGEWEHRES VERSAGEN. AUCH WENN DIE SICHERHEIT AUF "SICHER" EINGESTELLT IST, SOLLTEN SIE WEITERHIN DAS LUFTGEWEHR SICHER HANDHABEN. ZIELEN SIE MIT DEM LUFTGEWEHR NIEMALS AUF EIN ZIEL, AUF DAS SIE NICHT SCHIESSEN MÖCHTEN.

## **! WARNUNG:**

STELLEN SIE SICHER, DASS DAS LUFTGEWEHR IMMER RICHTUNG. ZIELEN SIE NIEMALS MIT DEM LUFTGEWEHR AUF PERSONEN ODER HAUSTIERE, AUCH WENN DIESES NICHT GELADEN IST. GEHEN SIE IMMER DAVON AUS, DASS DAS LUFTGEWEHR GELADEN UND BEREIT ZU FEUERN IST.



# CO<sub>2</sub>-Kapsel installieren

**! WARNUNG:** CO<sub>2</sub>-KAPSELN KÖNNEN BEI TEMPERATUREN ÜBER 50 GRAD C LIEGEN. VERSTÜMMELN ODER VERBRENNEN SIE SICH NICHT. SETZEN SIE KEINERZEIT WÄRME ODER LAGERN SIE CO<sub>2</sub>-KAPSELN NICHT BEI TEMPERATUREN ÜBER 50 GRAD C.



1. Drücken Sie den Magazinauslöser. Das Magazin fällt aus der Pistole heraus.
2. Entfernen Sie die Magazinbodenplatte indem Sie den Bodenplatten-Follower runterziehen (2.1) & die Bodenplatte nach vorne schieben (2.2), und die Kapsel-Piercingsschraube freilegen.
3. Drehen Sie die Kapsel-Piercingsschraube mit dem mitgelieferten Inbusschlüssel gegen den Uhrzeigersinn, bis die Piercing-Schraube entfernt ist.
4. Eine CO<sub>2</sub>Kapsel wie angezeigt einsetzen.
5. Drehen Sie die Kapsel-Piercingsschraube mit dem mitgelieferten Inbusschlüssel im Uhrzeigersinn, bis sie fest sitzt. Die Kapsel ist jetzt durchbohrt.
6. Ersetzen Sie die Bodenplatte, indem Sie sie auf der Unterseite des Magazins zurückschieben.
7. Setzen Sie das Magazin in den Pistolengriff ein.

*HINWEIS: Ein leichtes Durchsickern von CO<sub>2</sub> kann auftreten, bis die Piercingsschraube fest angezogen ist.*

*HINWEIS: Versuchen Sie niemals, eine CO<sub>2</sub>-Kapsel in oder aus ihrer Position zu drücken. Bewahren Sie Ihr Luftgewehr nicht mit einer CO<sub>2</sub> darin auf. Wenn Sie wissen, dass Sie Ihr Luftgewehr längere Zeit nicht benutzen werden, leeren Sie die CO<sub>2</sub>-Kapsel und nehmen Sie sie aus der Luftpistole. Es ist sehr wichtig sich daran zu erinnern, da dies die Lebensdauer Ihrer Luftgewehrsiegel verlängert.*

**! WARNUNG:** VERWENDEN SIE NUR 12 GRAMM CO<sub>2</sub>-KAPSELN. JEDER VERSUCH ANDERE ARTEN VON GASKAPSELN ZU VERWENDEN, KÖNNTE EXTREM GEFÄHRLICH SEIN UND KÖNNTE ZU ERNSTEN VERLETZUNGEN ODER TOD FÜHREN ANDERE GASE ALS CO<sub>2</sub> KÖNNEN ZU EINER EXPLOSION ODER BRUCH DES LUFTGEWEHRS FÜHREN.

**! WARNUNG:** HALTEN SIE HÄNDE UND GESICHT WEG VON ENTWEICHENDEM CO<sub>2</sub>-GAS. ES KANN ERFRIERUNGEN VERURSACHEN, WENN ES ZU KONTAKT MIT DER HAUT KOMMT. STELLEN SIE IMMER SICHER, DASS DIE CO<sub>2</sub>-KAPSEL LEER IST, BEVOR SIE VERSUCHEN, SIE AUS DEM LUFTGEWEHR ZU ENTFERNEN, INDEM SIE DIE GASKAPSELEINSTECHSCHRAUBE LANGSAM GEGEN DEN UHRZEIGERSINN DREHEN, BIS SIE DAS ENTWEICHEN DES CO<sub>2</sub>-GASES NICHT MEHR HÖREN.

# Laden des Magazins



1. Drücken Sie den Magazinauslöser. Das Magazin fällt aus der Pistole heraus.

2. Ziehen Sie den Follower mit der mitgelieferten Ladehilfe (2.1) nach unten, bis die Ladefläche frei liegt (2.2). Der Follower muss an Ort und Stelle gehalten werden.

3. BBs (bis zu 20) laden und den Follower beim Abschluss loslassen

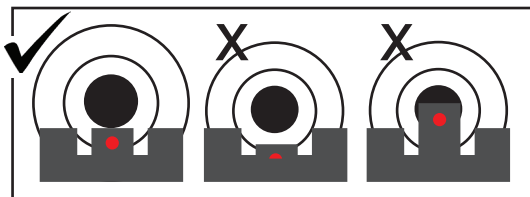
4. Setzen Sie das Magazin in den Pistolengriff ein. Sie spüren das Einrasten, sobald das Magazin vollständig eingesteckt ist.

## **ACHTUNG:**

NUR .177 KALIBER (4,5 MM) BBs VERWENDEN. VERSUCHEN SIE NICHT, BBs WIEDERZUVERWENDEN, DIE ABGEFEUERT ODER VERFORMT WURDEN. VERWENDEN SIE KEINEN BUCK SHOT, DART, KUGELLAGER ODER ANDERE FREMDKÖRPER, DA SIE ODER ANDERE PERSONEN VERLETZT WERDEN ODER DAS LUFTGEWEHR BESCHÄDIGT BZW. VERKLEMMT WERDEN KANN.

# Bedienung

- Sie und andere Personen sollten immer Schutzbrillen fürs Schießen tragen, um Ihre Augen zu schützen.
- Zielen Sie mit Ihrer Airsoft Pistole immer in eine SICHERE RICHTUNG. Wenn Sie sicher sind, dass Ziel und Kugelfang sicher sind und der Bereich um das Ziel frei ist, stellen Sie die Sicherung auf "OFF SAFE" und drücken Sie den Abzug zum Feuern.
- Schießen Sie nicht auf harte Oberflächen oder Wasseroberflächen. Die Projektilen könnten abprallen oder zu Querschlägern werden und Personen oder Gegenstände treffen, die Sie nicht treffen wollten.
- Schießen Sie nicht auf zerbrechliche Oberflächen, wie Glas oder Spiegel.
- Wählen Sie Ihr Ziel immer sorgfältig. Es sollten nur Ziele verwendet werden, die nicht vollständig durchdrungen werden oder zu Querschlägern führen können.
- Der Kugelfang sollte vor und nach jedem Schießen auf Verschleiß überprüft werden. Ersetzen Sie Ihren Kugelfang, wenn die Oberfläche verschlissen oder beschädigt ist oder ein Querschläger auftritt.
- Die Airsoft Pistole zielt dann korrekt, wenn das sich das vordere Blattkorn exakt in der Kerbe befindet und auf einer Linie mit der Kimme liegt. Die Oberseite des vorderen Blattkorns sollte sich auf einer Linie mit der Oberseite der Kerbe der Kimme befinden. Das Ziel sollte auf der Spitze des Kornes liegen.



1. Ziehen Sie den Schlitten nach hinten



2. Ziehen Sie den Abzug



## **ACHTUNG:**

DER SCHLITTEN STÖßT ZURÜCK, D. H. ER BEWEGT SICH NACH HINTEN. HALTEN SIE HÄNDE UND FINGER VON QUETSCHUNGSBEREICHEN FERN.



# Back-Strap Ersatz

Ihr Springfield Armory® XD(M)® - Luftgewehr verfügt über austauschbare Rückengurte, um die Griffgröße zu verändern.

## ENTFERNUNG DES RÜCKENGURTES

1. Entfernen Sie vorsichtig den Sicherungsbügel des Rückengurts mit einem passenden Schlag oder Inbusschlüssel. Der Bolzen kann von beiden Seiten des Griiffs aus herausgedrückt werden.



2. Wenn der Bolzen entfernt wurde, greifen Sie das untere Ende des Back-Strap und heben Sie ihn nach oben und weg vom Griff.



## ANBRINGUNG DES BACK-STRAP

3. Stecken Sie den oberen Bereich des Back Strap in den Rahmen; beginnen Sie dabei mit einem Winkel von 45 Grad zum Griff. Drehen Sie/ pressen Sie ihn nach unten, bis der Griff ordnungsgemäß ausgerichtet ist.



4. Stecken Sie den Back-Strap Sicherungsbolzen ein.



## ACHTUNG:

VOR JEDER PFLEGE, REINIGUNG ODER WARTUNG IST IMMER SICHERZUSTELLEN, DASS IHR LUFTGEWEHR ENTLADEN WIRD. ZEIGEN SIE IMMER IN EINE SICHERE RICHTUNG. ES IST WICHTIG, ROUTINE-INSPEKTIONEN DURCHFÜHREN UND IHR LUFTGEWEHR RICHTIG ZU WARTEN.

# Ersetzen der Griffverlängerung

(nur Kompakte version)

Ihr Springfield Armory® XD(M)® 3,8 Zoll Compact-Luftgewehr wird mit austauschbaren Griffverlängerungen geliefert, die die austauschbaren Rückengurte begleiten.

**1.** Positionieren Sie die Griffverlängerung unten im Magazin, während das Magazin von der Pistole entfernt wurde.



**2.** Ziehen Sie die Verlängerung nach oben und aus dem Magazin.



**3.** Schieben Sie die bevorzugte Größenerweiterung in der gezeigten Ausrichtung nach unten. Drücken Sie die Verlängerung fest an die Unterseite des Magazins, bis sie bündig an der Magazingrundplatte anliegt.



# Pflege & Instandhaltung

**! WARNUNG:** STELLEN SIE SICHER, DASS DIE MÜNDUNG DES LUFTGEWEHRS IMMER IN EINE SICHERE RICHTUNG ZEIGT. ZIELEN SIE NIEMALS AUF HAUSTIERE ODER ARGLOSE PERSONEN. BEHANDELN SIE IHR LUFTGEWEHR IMMER SO, ALS SEI DIESES GELADEN UND ZU FEERN BEREIT.

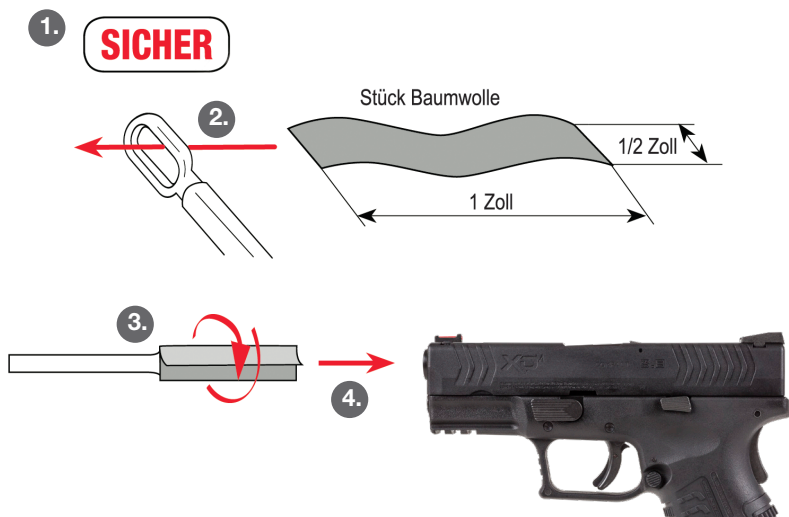
**! WARNUNG:** VERSUCHEN SIE NIEMALS DAS LUFTGEWEHR ZU REINIGEN, OHNE VORHER DIE SICHERUNG AUF "SICHER" ZU SCHALTEN; ENTFERNEN SIE DAS MAGAZIN UND ÜBERPRÜFEN SIE DEN LAUF, DIESER MUSS LEER SEIN.

Freiliegende Metallteile sollten nach der Verwendung mit einem leicht geölten Tuch abgewischt werden, um Rost zu verhindern. Verwenden Sie leichtes, säurefreies und harzfreies Öl. Führen Sie Routineinspektionen Ihres Luftgewehr durch, um den ordnungsgemäßen Betrieb zu überprüfen.

## **! ACHTUNG:**

ÖLE, DIE SÄUREN ODER HARZE ENTHALTEN, KÖNNEN DIE DICHTUNGEN UND MÖGLICHERWEISE DIE BESCHICHTUNG DER PISTOLE BESCHÄDIGEN.

- Zwängen Sie den Reinigungsstab nicht in den Lauf, da dies Schäden verursachen kann.
- Lassen Sie niemals Silikonöl direkt in den Lauf tropfen.



# Contenido



Reglas para disparar con seguridad.....	3
Partes de la pistola de aire comprimido.....	4
Funcionamiento del seguro.....	5
Instalación de las cápsulas de CO2.....	6
Carga del cargador.....	7
Funcionamiento de la pistola.....	8
Sustitución de la trasera de culata.....	9
Sustitución de la extensión de agarre. ....	10
Cuidado y mantenimiento.....	11
Reparación, servicio y garantía.....	12



**PRECAUCIÓN: REQUIERE PROTECCIÓN OCULAR. USA TUS GAFAS DE TIRO.**



LEE TODO ESTE MANUAL DE USUARIO. Esta arma de aire comprimido no es un juguete. Trátala con el mismo respeto que a un arma de fuego. Sigue siempre escrupulosamente las instrucciones de seguridad que se encuentran en este manual de usuario y consérvalo en lugar seguro para futuras consultas.



**ADVERTENCIA:** NO ES UN JUGUETE. REQUIERE LA SUPERVISIÓN DE UN ADULTO. SU USO INDEBIDO PUEDE CAUSAR LESIONES GRAVES O INCLUSO LA MUERTE. LEE ESTE MANUAL DE USUARIO ANTES DE UTILIZAR LA RÉPLICA. PUEDE SER PELIGROSO HASTA UNA DISTANCIA DE 274 METROS.



**ADVERTENCIA:** ESTE PRODUCTO PODRÍA EXPONERTE A SUSTANCIAS QUÍMICAS, INCLUIDO EL PLOMO, QUE SEGÚN EL ESTADO DE CALIFORNIA CAUSA CÁNCER, DEFECTOS DE NACIMIENTO U OTROS DAÑOS REPRODUCTIVOS. PARA OBTENER MÁS INFORMACIÓN, VISITA [WWW.P65WARNINGS.CA.GOV](http://WWW.P65WARNINGS.CA.GOV).



**ADVERTENCIA:** NO EMPUÑES NI EXHIBAS EN PÚBLICO ESTA ARMA DE AIRE COMPRIMIDO: PODRÍA CONFUNDIR A LA GENTE Y CONSTITUIR UN DELITO. LA POLICÍA Y OTRAS PERSONAS PODRÍAN PENSAR QUE ESTA ARMA DE AIRE COMPRIMIDO ES UN ARMA DE FUEGO. NO ALTERES SU COLOR NI SUS MARCAS PARA QUE SE ASEMEJE MÁS A UN ARMA DE FUEGO. ES PELIGROSO Y PODRÍA SER UN DELITO.



**ADVERTENCIA:** EL COMPRADOR Y EL USUARIO TIENEN LA RESPONSABILIDAD DE OBEDECER TODAS LAS ADVERTENCIAS Y PRECAUCIONES RELATIVAS AL USO DEL GAS PROPULSOR.



**ADVERTENCIA:** SE PROHÍBE LA VENTA DE ESTA ARMA DE AIRE COMPRIMIDO A MENORES DE 18 AÑOS. LEE DETENIDAMENTE Y COMPRENDE ESTAS INSTRUCCIONES ANTES DE USAR ESTA ARMA DE AIRE COMPRIMIDO. EL COMPRADOR Y EL USUARIO TIENEN EL DEBER DE CUMPLIR TODA LA LEGISLACIÓN RELATIVA A LA COMPRA, USO Y TENENCIA DE ESTA ARMA DE AIRE COMPRIMIDO.

# Reglas para disparar con seguridad

- No apuntes **NUNCA** con el arma de aire comprimido a otra persona.
- No apuntes **NUNCA** con el arma de aire comprimido a nada a lo que no pretendas disparar.
- Trata **SIEMPRE** el arma de aire comprimido como si estuviera cargada y manipúlala con el mismo respeto que si se tratara de un arma de fuego.
- Apunta **SIEMPRE** en una **DIRECCIÓN SEGURA**.
- Mantén **SIEMPRE** la boca de fuego apuntando en una **DIRECCIÓN SEGURA**.
- No pongas **NUNCA** ninguna parte de tu mano delante de la boca de fuego.
- Mantén **SIEMPRE** el arma de aire comprimido con el "**SEGURO**" puesto hasta que estés listo para disparar en una **DIRECCIÓN SEGURA**.
- **COMPRUEBA** lo que hay detrás y más allá de tu blanco para asegurarte de que tienes un protector trasero seguro y que ninguna persona o propiedad pueden correr peligro.
- Coloca el protector en un lugar que sea seguro incluso en el caso de que este falle.
- Sustituye el protector trasero si se deteriora.
- Asegúrate **SIEMPRE** de lo que hay junto a tu blanco y detrás de él en caso de que falles.
- No dispires **NUNCA** contra superficies duras, agua o cualquier otra cosa que pueda ocasionar un rebote.
- Esta arma de aire comprimido solo se puede usar donde lo permita la legislación local o en los campos de tiro con permiso legal y siempre y cuando el proyectil no salga de la zona de tiro. Ten en cuenta el alcance máximo de los proyectiles. Cumple **SIEMPRE** con la legislación y normativas aplicables a las armas de aire comprimido.
- Comprueba **SIEMPRE** si el arma de aire comprimido tiene el "**SEGURO**" PUESTO y está descargada cuando la recibas de otra persona o la saques de donde esté guardada.
- Mantén **SIEMPRE** el dedo alejado del gatillo y del guardamonte hasta que estés listo para disparar.
- Tú y quienes te acompañen debéis usar **SIEMPRE** gafas de tiro para protegeros los ojos.
- Si tus gafas correctoras no son gafas de seguridad certificadas, asegúrate de llevar unas gafas de tiro sobre tus gafas normales.
- No cargues **NUNCA** tu arma de aire comprimido hasta que estés listo para disparar y sea seguro hacerlo.
- Usa **SIEMPRE** munición del calibre correcto adecuada para el arma de aire comprimido. Utiliza **SOLO** munición diseñada para esta arma de aire comprimido.
- No reutilices **NUNCA** la munición.
- Guarda **SIEMPRE** el arma de aire comprimido con el "**SEGURO**" puesto, descargada, sin amartillar, en un lugar distinto de la munición, fuera del alcance de los niños y en un sitio seguro para evitar que puedan acceder a ella personas no autorizadas.
- **NO** intentes desarmar ni manipular el arma de aire comprimido.
- Guarda **SIEMPRE** esta arma de aire comprimido en un lugar seguro.
- Guarda **SIEMPRE** la munición en un lugar distinto que el arma.
- Descarga **SIEMPRE** el arma de aire comprimido antes de dársela a otra persona.
- Lee y sigue **SIEMPRE** el manual del fabricante y las instrucciones.
- No dejes **NUNCA** que use el producto una persona que no haya leído todo este manual.



# Partes de tu arma de aire comprimido



# Seguridad

## PRECAUCIÓN:

- MANIPULA EL ARMA DE AIRE COMPRIMIDO SOLO CON EL SEGURO PUESTO.
- ASEGÚRATE SIEMPRE DE QUE LA BOCA DE FUEGO APUNTE EN UNA DIRECCIÓN SEGURA.

Tu pistola de aire comprimido Springfield Armory® XD(M)® tiene tres seguros. Un seguro manual, otro de agarre y un tercero de gatillo.

### 1. Seguro manual



### 2. Seguro de agarre funcional

NOTA: El seguro de agarre debe estar totalmente pulsado para que el arma de aire comprimido dispare.

### 3. Seguro de gatillo

SEGURO



DISPARO



NOTA: El seguro de gatillo debe estar totalmente pulsado para que el arma de aire comprimido dispare.

## PRECAUCIÓN:

COMO CUALQUIER DISPOSITIVO MECÁNICO, PUEDE QUE UN MECANISMO DE SEGURIDAD DEL ARMA DE AIRE COMPRIMIDO FALLE. INCLUSO AUNQUE TENGA EL SEGURO PUESTO, SIEMPRE DEBES MANIPULAR EL ARMA DE AIRE COMPRIMIDO CON PRECAUCIÓN. NO APUNTES NUNCA CON EL ARMA DE AIRE COMPRIMIDO A NADA A LO QUE NO PRETENDAS DISPARAR.

 **ADVERTENCIA:** ASEGÚRATE DE QUE EL ARMA DE AIRE COMPRIMIDO APUNTA SIEMPRE EN UNA DIRECCIÓN SEGURA.

NO APUNTES NUNCA CON EL ARMA DE AIRE COMPRIMIDO A NINGÚN ANIMAL O PERSONA, AUNQUE ESTÉ DESCARGADA. ASUME Y MANIPULA SIEMPRE EL ARMA DE AIRE COMPRIMIDO COMO SI ESTUVIERA CARGADA Y LISTA PARA DISPARAR.

# Instalación de la cápsula de CO<sub>2</sub>

**! ADVERTENCIA:** LAS CÁPSULAS DE CO<sub>2</sub> PUEDEN EXPLOTAR A TEMPERATURAS SUPERIORES A LOS 50 °C. NO LAS PERFORES NI LAS ARROJES AL FUEGO. NO EXPONGAS AL CALOR LAS CÁPSULAS DE CO<sub>2</sub> NI LAS ALMACENES A TEMPERATURAS SUPERIORES A LOS 50 °C.



1. Pulsa para liberar el cargador. El cargador se soltará de la réplica.

2. Retira la placa base del cargador tirando del muelle del elevador hacia abajo (2.1) y deslizando la placa base hacia adelante (2.2), con lo que queda a la vista el tornillo de perforación de la cápsula.

3. Gira el tornillo de perforación de la cápsula en sentido contrario a las agujas del reloj con la llave Allen incluida hasta sacar el tornillo de perforación.

4. Inserta una cápsula de CO<sub>2</sub> como se indica.

5. Gira el tornillo de perforación de la cápsula en el sentido de las agujas del reloj con la llave Allen incluida hasta que esté apretado. La cápsula quedará perforada.

6. Vuelve a poner la placa base deslizándola hacia atrás en la parte inferior del cargador.

7. Inserta el cargador en la culata de la pistola.

NOTA: Puede producirse una ligera pérdida de CO<sub>2</sub> hasta que el tornillo de perforación quede apretado.

NOTA: Nunca intentes forzar una cápsula de CO<sub>2</sub> para meterla o sacarla de su compartimento. No almacenes tu arma de aire comprimido con la cápsula de CO<sub>2</sub> dentro. Si sabes que no vas a usar tu arma de aire comprimido durante un largo periodo de tiempo, vacía la cápsula de CO<sub>2</sub> y extráela del arma de aire comprimido. Es muy importante que no olvides esto, ya que aumentará la duración de los sellos del arma de aire comprimido.

**! ADVERTENCIA:** UTILIZA SOLO CÁPSULAS DE CO<sub>2</sub> DE 12 GRAMOS. INTENTAR USAR OTRO TIPO DE CÁPSULA DE GAS PODRÍA SER EXTREMADAMENTE PELIGROSO Y DESEMBOCAR EN LESIONES GRAVES O INCLUSO LA MUERTE. EMPLEAR GASES DISTINTOS AL CO<sub>2</sub> PODRÍA CONDUCIR A UNA EXPLOSIÓN O A LA RUPTURA DE LA RÉPLICA.

**! ADVERTENCIA:** MANTÉN LAS MANOS Y LA CARA ALEJADOS DE LOS ESCAPES DE CO<sub>2</sub>. PUEDE OCASIONAR CONGELACIÓN SI ENTRA EN CONTACTO CON LA PIEL. ASEGÚRATE SIEMPRE DE QUE LA CÁPSULA DE CO<sub>2</sub> ESTÉ VACÍA ANTES DE INTENTAR RETIRARLA DEL ARMA DE AIRE COMPRIMIDO GIRANDO LENTAMENTE EL TORNILLO DE PERFORACIÓN DE LA CÁPSULA DE GAS EN SENTIDO CONTRARIO A LAS AGUJAS DEL RELOJ HASTA QUE DEJES DE OÍR EL ESCAPE DE GAS.



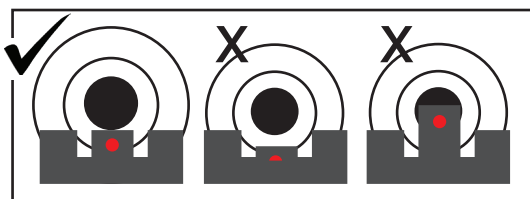
1. Pulsa para liberar el cargador. El cargador se soltará de la réplica.
2. Utilizando el asistente de carga incluido (2.1), tira hacia abajo del muelle del elevador hasta que la zona de carga quede expuesta (2.2). Habrás de mantener el muelle del elevador en esa posición.
3. Mete las BBs (hasta 20) y libera el muelle del elevador una vez que hayas terminado.
4. Inserta el cargador en la culata de la pistola. Sentirás que encaja en su lugar cuando se se inserta por completo.

## PRECAUCIÓN:

USA SOLO BBs DEL CALIBRE .177 (4,5 MM). NO INTENTES REUTILIZAR LAS BBs QUE HAYAS DISPARADO O QUE ESTÉN DEFORMADAS. NO UTILICES PERDIGONES, DARDOS, BOLAS PARA RODAMIENTOS U OTROS OBJETOS EXTRAÑOS PORQUE PODRÍAN LESIONARTE A TI O A OTRA PERSONA Y TAMBIÉN DAÑAR O ATASCAR EL ARMA DE AIRE COMPRIMIDO.

# Funcionamiento

- Tú y quienes te acompañen debéis usar siempre gafas de tiro para protegeros los ojos.
- Apunta siempre tu réplica en una DIRECCIÓN SEGURA. Cuando estés seguro de tu blanco y de tu protector trasero, así como de que el área alrededor del blanco está despejada, quita el SEGURO y aprieta el gatillo para disparar.
- No dispares contra superficies duras ni a la superficie del agua. Los proyectiles podrían rebotar y golpear a alguien o a algo que no pretendías golpear.
- No dispares contra superficies frágiles, como vidrio o espejos.
- Elige siempre tu blanco cuidadosamente. Solo debes usar blancos que no puedan penetrarse completamente ni causen rebotes.
- Debes revisar el protector trasero antes y después de cada uso. Sustituye el protector trasero si tiene la superficie desgastada o dañada o si produce rebotes.
- La réplica está apuntada correctamente cuando la marca del punto de mira se sitúa exactamente en la muesca nivelada con el alza. La parte superior del punto de mira debe estar nivelada con la parte superior del alza. La diana debería parecer que descansa en la parte superior del punto de mira.



## PRECAUCIÓN:

EL CERROJO TIENE RETROCESO, LO QUE SIGNIFICA QUE SE DESPLAZA HACIA ATRÁS. MANTÉN LAS MANOS Y LOS DEDOS ALEJADOS DE LOS PUNTOS EN LOS QUE PODRÍA PELLIZCARTE.



# Sustitución de la trasera de culata

Tu pistola de aire comprimido Springfield Armory® XD(M)® viene con traseras de culata intercambiables para modificar el tamaño de la empuñadura.

## QUITAR LA TRASERA DE CULATA

1. Retira con cuidado el pasador de retención de la trasera de culata con una llave Allen u otra herramienta del tamaño adecuado. Puedes hacer esto empujando el pasador desde cualquier lado de la empuñadura.
2. Una vez extraído el pasador, sujeta la parte inferior de la trasera de culata, levántala y sepárala de la empuñadura.



## INSTALACIÓN DE LA TRASERA DE CULATA

3. Comenzando en un ángulo de 45 grados respecto a la empuñadura, inserta la parte superior de la trasera de culata en el armazón. Pivota y presiona hasta que la empuñadura quede correctamente alineada.
4. Instala el pasador de retención de la trasera de culata.



### PRECAUCIÓN:

ANTES DE INICIAR CUALQUIER TAREA DE LIMPIEZA O MANTENIMIENTO, ASEGÚRATE SIEMPRE DE QUE TU PISTOLA DE AIRE COMPRIMIDO ESTÁ DESCARGADA. MANTENLA APUNTANDO EN UNA DIRECCIÓN SEGURA. ES IMPORTANTE REALIZAR INSPECCIONES RUTINARIAS Y LLEVAR A CABO UN MANTENIMIENTO ADECUADO DE TU PISTOLA DE AIRE COMPRIMIDO.

# Sustitución de la extensión de agarre

(Solo para la versión compact de 3,8")

Tu pistola de aire comprimido Springfield Armory® XD (M)® compact de 3,8" viene con extensiones de agarre intercambiables como accesorio de las traseras de culata.

1. Con el cargador fuera de la pistola, localiza la extensión de agarre en la parte inferior del cargador.



2. Tira de la extensión hacia arriba y hacia fuera del cargador.



3. Desliza hacia abajo la extensión del tamaño que prefieras orientada tal como se muestra en la imagen. Empuja la extensión firmemente hasta la parte inferior del cargador para que quede enrasada con la placa base del cargador.



# Cuidado y mantenimiento

**! ADVERTENCIA:** ASEGÚRATE DE QUE LA BOCA DE FUEGO DEL ARMA DE AIRE COMPRIMIDO APUNTA SIEMPRE EN UNA DIRECCIÓN SEGURA. NO APUNTES NUNCA A MASCOTAS O PERSONAS DESPREVENIDAS. MANIPULA SIEMPRE EL ARMA DE AIRE COMPRIMIDO COMO SI ESTUVIERA CARGADA Y LISTA PARA DISPARAR.

**! ADVERTENCIA:** NO INTENTES NUNCA LIMPIAR EL ARMA DE AIRE COMPRIMIDO SIN HABER PUESTO ANTES EL SEGURO, RETIRADO EL CARGADOR Y COMPROBADO QUE EL CAÑÓN ESTÁ VACÍO.

Después de la manipulación, debes limpiar las partes metálicas externas con un paño ligeramente engrasado para evitar su oxidación. Usa aceite ligero sin ácidos ni resinas. Realiza inspecciones rutinarias del arma de aire comprimido para comprobar su correcto funcionamiento.

**! PRECAUCIÓN:**

LOS ACEITES QUE CONTIENEN ÁCIDOS O RESINAS PUEDEN DAÑAR LOS SELLOS Y, POSIBLEMENTE, EL ACABADO DE LA RÉPLICA.

- No fuerces la varilla dentro del cañón, ya que podría causar daños.
- No eches nunca lubricante de silicona dentro del cañón.





# Table des matières



Précautions pour tirer en toute sécurité.....	3
Les pièces qui composent votre fusil à air comprimé.....	4
Fonctionnement de la sécurité.....	5
Installation des capsules de CO2.....	6
Chargement du chargeur.....	7
Utilisation du pistolet.....	8
Remplacement de la sangle arrière.....	9
Remplacement de la rallonge de crosse.....	10
Entretien et maintenance.....	11
Réparation / Service / Garantie.....	12

**ATTENTION :** PROTECTION DES YEUX OBLIGATOIRE. PORTEZ VOS LUNETTES DE TIR. 

LISEZ COMPLÈTEMENT CE MANUEL DE L'UTILISATEUR. Ce fusil à air comprimé n'est pas un jouet. Vous devez l'utiliser avec les mêmes précautions que pour une arme à feu. Suivez toujours attentivement les consignes de sécurité figurant dans ce manuel d'utilisation et conservez-le en lieu sûr pour référence ultérieure.

**ATTENTION :** CECI N'EST PAS UN JOUET. LA SURVEILLANCE D'UN ADULTE EST OBLIGATOIRE UNE UTILISATION INCORRECTE PEUT CAUSER DES BLESSURES GRAVES, VOIRE MORTELLES. LISEZ CE MANUEL DU PROPRIÉTAIRE AVANT D'UTILISER L'ARME. UN DANGER EXISTE JUSQU'À 274 MÈTRES.

**ATTENTION :** CE PRODUIT PEUT VOUS EXPOSER À DES PRODUITS CHIMIQUES DONT LE PLOMB, QUI EST RECONNU PAR L'ÉTAT DE CALIFORNIE COMME SUBSTANCE CANCÉRIGÈNE ET SUSCEPTIBLE DE CAUSER DES ANOMALIES CONGÉNITALES OU D'AUTRES TROUBLES DE LA REPRODUCTION. POUR PLUS D'INFORMATION À CE SUJET, CONSULTEZ [WWW.P65WARNINGS.CA.GOV](http://WWW.P65WARNINGS.CA.GOV)

**ATTENTION :** IL EST INTERDIT DE BRANDIR OU DE MONTRER CE FUSIL À AIR COMPRIMÉ EN PUBLIC - IL PEUT ÊTRE CONFONDU AVEC UNE ARME À FEU ET VOUS VOUS EXPOSEZ À DES POURSUITES. LA POLICE ET D'AUTRES PERSONNES PEUVENT PENSER QUE CE PISTOLET À AIR COMPRIMÉ EST UNE ARME À FEU. NE MODIFIEZ PAS LA COULEUR ET LES MARQUAGES POUR QU'IL RESSEMBLE D'AVANTAGE À UNE ARME À FEU. C'EST DANGEREUX ET PEUT CONSTITUER UNE INFRACTION À LA LOI.

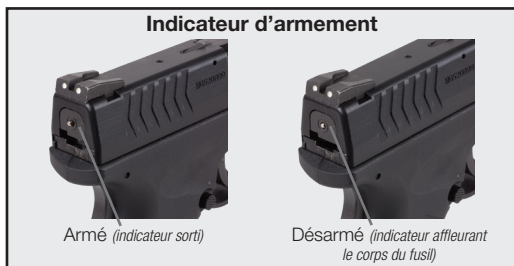
**ATTENTION :** L'ACHETEUR ET L'UTILISATEUR ONT LA RESPONSABILITÉ D'OBÉIR À TOUS LES AVERTISSEMENTS ET AUX MISES EN GARDE CONCERNANT L'UTILISATION DES GAZ PROPULSEURS.

**ATTENTION :** LA VENTE DE CE PRODUIT EST INTERDITE AUX MINEURS D'ÂGE. VEILLEZ À LIRE ATTENTIVEMENT ET À COMPRENDRE CES INSTRUCTIONS AVANT D'UTILISER LE FUSIL À AIR COMPRIMÉ. L'ACHETEUR ET L'UTILISATEUR DOIVENT SE CONFORMER À TOUTES LES LOIS CONCERNANT L'ACHAT, L'UTILISATION ET LA PROPRIÉTÉ DE CE FUSIL À AIR COMPRIMÉ.

# Précautions pour tirer en toute sécurité

- NE pointez **JAMAIS** le fusil à air comprimé sur qui que ce soit.
- NE pointez **JAMAIS** le fusil à air comprimé sur un objet sur lequel vous n'avez pas l'intention de tirer.
- Manipulez **TOUJOURS** le fusil à air comprimé comme s'il était chargé et avec les mêmes précautions que s'il s'agissait d'une arme à feu.
- Visez **TOUJOURS** une **DIRECTION SÛRE**.
- Gardez **TOUJOURS** le canon pointé dans une **DIRECTION SÛRE**.
- Ne placez **JAMAIS** une partie de votre main sur le canon.
- Laissez **TOUJOURS** le fusil à air comprimé en position « **SÛR** » jusqu'à ce que vous soyez prêt à tirer dans une **DIRECTION SÛRE**.
- **VÉRIFIEZ** derrière et au-delà de votre cible pour vous assurer que vous avez un dispositif pare-balles et que vous ne mettez pas en danger des personnes ou des biens.
- Placez le dispositif pare-balles dans un endroit sûr pour le cas où il ne ferait pas son office.
- Remplacez le dispositif pare-balles s'il est usé.
- Restez **TOUJOURS** attentif à votre cible et à ce qui se trouve au-delà, pour le cas où vous la manqueriez.
- Ne tirez **JAMAIS** sur des surfaces dures, de l'eau ou tout autre objet susceptible de provoquer des ricochets.
- Ce fusil à air comprimé ne peut être utilisé que lorsque la législation locale le permet ou sur les champs de tir autorisés par la loi, et seulement si les munitions ne parviennent pas au-delà de la zone de tir. Gardez à l'esprit la portée maximale de la munition. Respectez **TOUJOURS** les lois et les règlements qui s'appliquent aux fusils à air comprimé.
- Vérifiez **TOUJOURS** que le fusil à air comprimé est réglé sur « **SÛR** » et déchargé lorsqu'il vous est remis par une autre personne ou après stockage.
- Ne placez **JAMAIS** votre doigt à proximité de la détente avant d'être prêt à tirer.
- Vous devez **TOUJOURS** porter des lunettes de protection, de même que les personnes se tenant à proximité.
- Si vos lunettes de lecture ou de vue habituelles ne sont pas des lunettes de sécurité certifiées, veillez à porter des lunettes de protection par-dessus.
- Ne chargez **JAMAIS** votre fusil à air comprimé avant d'être prêt à tirer en toute sécurité.
- Utilisez **TOUJOURS** les munitions de calibre approprié au fusil à air comprimé. Utilisez **UNIQUEMENT** des munitions conçues pour ce fusil à air comprimé.
- Ne réutilisez **JAMAIS** les munitions.
- Rangez **TOUJOURS** le fusil à air comprimé avec la sécurité en position « **SÛR** », déchargé, désarmé, séparé des munitions, hors de portée des enfants, et dans un endroit sûr pour empêcher les personnes non autorisées d'y accéder.
- Ne tentez **PAS** de démonter ou de modifier le fusil à air comprimé.
- Rangez **TOUJOURS** ce fusil à air comprimé dans un endroit sûr.
- Entrez les munitions séparément du fusil.
- Déchargez **TOUJOURS** le fusil à air comprimé avant de le remettre à une autre personne.
- Lisez et respectez **TOUJOURS** le manuel du fabricant et les instructions.
- Ne laissez **JAMAIS** une autre personne utiliser ce produit sans qu'elle ait lu ce manuel en entier.

# Les pièces qui composent votre fusil à air comprimé



## **ATTENTION :**

- NE MANIPULEZ LE FUSIL À AIR COMPRIMÉ QUE LORSQU'IL EST EN POSITION DE SÉCURITÉ.
- VEILLEZ À CE QUE LE CANON SOIT TOUJOURS POINTÉ DANS UNE DIRECTION SÛRE.

Votre fusil à air comprimé XD(M)<sup>®</sup> de Springfield Armory<sup>®</sup> est équipé de trois sécurités. Une sécurité manuelle, une sécurité de la crosse et une sécurité de la détente.

### 1. Sécurité manuelle



### 2. Fonctionnel Sécurité de la crosse

REMARQUE : Pour que vous puissiez tirer avec le fusil, la sécurité de la crosse doit être complètement abaissée.

### 3. Sécurité de la détente

POSITION « SÛR »



POSITION « TIR »



REMARQUE : Pour pouvoir tirer avec le fusil, la sécurité de la détente doit être complètement abaissée.

## **ATTENTION :**

COMME TOUS LES APPAREILS MÉCANIQUES, LA SÉCURITÉ D'UN FUSIL À AIR COMPRIMÉ PEUT FAILLIR. MÊME EN POSITION DE SÉCURITÉ, VOUS DEVEZ CONTINUER À MANIPULER LE FUSIL À AIR COMPRIMÉ AVEC PRÉCAUTIONS. NE POINTEZ JAMAIS LE FUSIL À AIR COMPRIMÉ SUR UN OBJET SUR LEQUEL VOUS N'AVEZ PAS L'INTENTION DE TIRER.

**ATTENTION :** ASSUREZ-VOUS QUE LE FUSIL À AIR COMPRIMÉ EST TOUJOURS POINTÉ DANS UNE DIRECTION SÛRE. NE POINTEZ JAMAIS LE FUSIL À AIR COMPRIMÉ SUR UN ANIMAL OU UNE PERSONNE, MÊME S'IL EST DÉCHARGÉ. MANIPULEZ TOUJOURS LE FUSIL À AIR COMPRIMÉ COMME S'IL ÉTAIT CHARGÉ ET PRÊT À TIRER.

# Installation des capsules de CO<sub>2</sub>

**! ATTENTION :** LES CAPSULES DE CO<sub>2</sub> PEUVENT EXPLOSER SI LA TEMPÉRATURE DÉPASSE 50 °C. VOUS NE DEVEZ EN AUCUN CAS LES DÉTÉRIORER OU LES INCINÉRER. N'EXPOSEZ PAS LES CAPSULES DE CO<sub>2</sub> À LA CHALEUR ET NE LES STOCKEZ PAS À UNE TEMPÉRATURE SUPÉRIEURE À 50 °C.



1. Appuyez sur le bouton de dégagement du chargeur. Le chargeur sera libéré du pistolet.

2. Retirez la plaque de base du chargeur en abaissant la plaque de base de l'élevateur (2.1) avant de la faire glisser vers l'avant (2.2), pour laisser apparaître la vis de perçage de la capsule.

3. Tournez la vis de perçage de la capsule en tournant dans le sens inverse des aiguilles d'une montre avec la clé Allen incluse.

4. Insérez une capsule de CO<sub>2</sub> comme illustré

5. Tournez la vis de perçage de la capsule dans le sens des aiguilles d'une montre avec la clé Allen incluse jusqu'au blocage. La capsule est maintenant percée.

6. Remplacez la plaque de base en la faisant glisser sur le bas du chargeur.

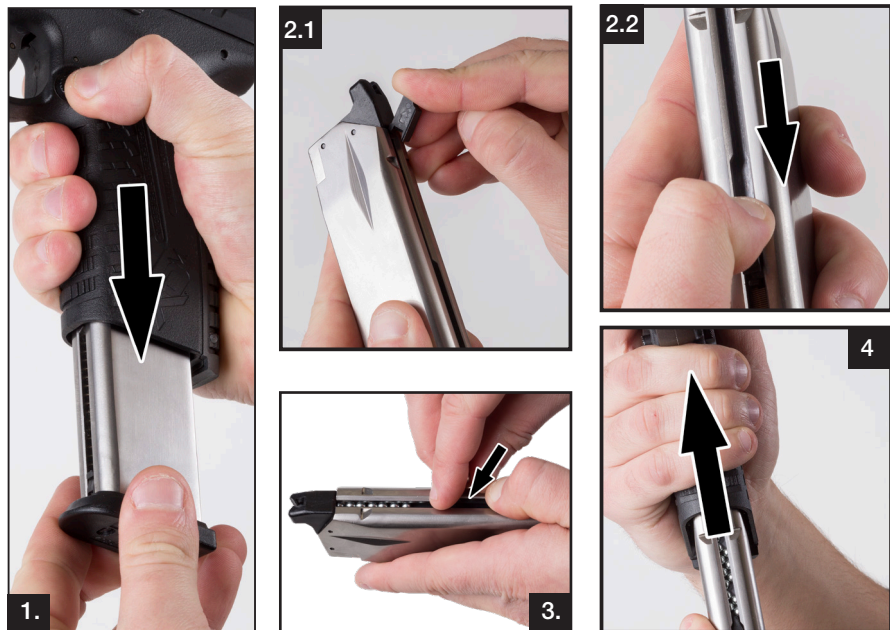
7. Insérez le chargeur dans la crosse du pistolet.

REMARQUE : Le CO<sub>2</sub> peut suinter légèrement jusqu'à ce que la vis de perçage soit serrée à fond.

REMARQUE : N'essayez jamais de forcer une capsule de CO<sub>2</sub> pour la mettre en place ou la dégager. N'entreposez pas votre fusil à air comprimé avec une capsule de CO<sub>2</sub> à l'intérieur. Si vous prévoyez de ne pas utiliser votre fusil à air comprimé pendant une période prolongée, videz la capsule de CO<sub>2</sub> et retirez-la du fusil à air comprimé. Le respect de cette consigne est très important pour prolonger la durée de vie des joints de votre fusil à air comprimé.

**! ATTENTION :** UTILISEZ UNIQUEMENT DES CAPSULES DE CO<sub>2</sub> DE 12 GRAMMES. TOUTE TENTATIVE D'UTILISATION D'AUTRES TYPES DE CAPSULES DE GAZ PEUT ÊTRE EXTRÊMEMENT DANGEREUSE ET ENTRAÎNER DES BLESSURES GRAVES VOIRE MORTELLES. L'UTILISATION D'AUTRES GAZ QUE LE CO<sub>2</sub> PEUT ENTRAÎNER UNE EXPLOSION OU UN ÉCLATEMENT DU FUSIL À AIR COMPRIMÉ.

**! ATTENTION :** TENEZ VOTRE VISAGE ET VOS MAINS ÉLOIGNÉS DU CO<sub>2</sub> QUI S'ÉCHAPPE. IL PEUT PROVOQUER DES ENGELURES S'IL ENTRE EN CONTACT AVEC LA PEAU. AVANT DE LA RETIRER DU FUSIL À AIR COMPRIMÉ, VÉRIFIEZ TOUJOURS QUE LA CAPSULE DE CO<sub>2</sub> EST VIDE EN TOURNANT LENTEMENT LA VIS DE PERÇAGE DE LA CAPSULE DE GAZ DANS LE SENS INVERSE DES AIGUILLES D'UNE MONTRE JUSQU'À CE QUE VOUS N'ENTENDIEZ PLUS DE CO<sub>2</sub> S'ÉCHAPPER.



1. Appuyez sur le bouton de dégagement du chargeur. Le chargeur sera libéré du pistolet.

2. Avec l'aide au chargement incluse (2.1), abaissez l'élévateur jusqu'à ce que la zone de chargement soit découverte (2.2). Vous devrez maintenir l'élévateur en place.

3. Chargez des billes (jusqu'à 20) puis relâchez l'élévateur.

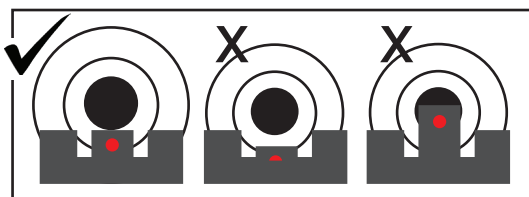
4. Insérez le chargeur dans la crosse du pistolet. Vous devez sentir qu'il se verrouille en place lorsqu'il est correctement inséré.

## **ATTENTION :**

UTILISEZ DES BILLES BB DE CALIBRE 0,177 (4,5 MM) UNIQUEMENT. NE RÉUTILISEZ JAMAIS DES BILLES QUI ONT DÉJÀ ÉTÉ TIRÉES OU QUI SONT DÉFORMÉES. N'UTILISEZ PAS DE GRENAILLE, DE FLÉCHETTES, DE ROULEMENTS À BILLES OU D'AUTRES CORPS ÉTRANGERS, CAR ILS POURRAIENT BLESSER LE TIREUR OU UNE AUTRE PERSONNE ET/OU ENDOMMAGER LE FUSIL À AIR COMPRIMÉ.

# Fonctionnement

- Vous devez toujours porter des lunettes de protection pour le tir, de même que les personnes se tenant à proximité.
- Pointez toujours votre pistolet à air comprimé dans une DIRECTION SÛRE. Lorsque vous êtes sûr de votre cible et du dispositif pare-balles, enlevez la position de sécurité et pressez la détente pour tirer.
- Ne tirez pas sur des surfaces dures ou sur la surface de l'eau. Les projectiles peuvent rebondir ou ricocher et atteindre un objet ou un être vivant que vous n'aviez pas l'intention de toucher.
- Ne tirez pas sur les surfaces fragiles telles que le verre ou les miroirs.
- Choisissez toujours votre cible minutieusement. Utilisez uniquement des cibles qui ne peuvent pas être transpercées et qui ne provoqueront pas de ricochets.
- Vérifiez votre dispositif pare-balles avant et après chaque utilisation. Remplacez votre dispositif pare-balles si sa surface est usée ou endommagée ou si un ricochet se produit.
- Pour viser correctement, la lame du viseur avant doit être positionnée exactement dans l'encoche et au même niveau que le viseur arrière. Le haut de la lame du viseur avant doit être aligné avec le haut de l'encoche du viseur arrière. La cible devrait sembler se reposer sur le haut du viseur avant.



## **ATTENTION :**

SI LA GLISSIÈRE SE RABAT, CE QUI SIGNIFIE QU'ELLE EST REFOULÉE VERS L'ARRIÈRE. GARDEZ LES MAINS ET LES DOIGTS ÉLOIGNÉS DES POINTS DE PINCEMENT.



# Remplacement de la sangle arrière

Votre pistolet à air comprimé XD(M)<sup>®</sup> de Springfield Armory<sup>®</sup> est fourni avec des sangles arrière interchangeables qui permettent de modifier la taille de la crosse.

## RETRAIT DE LA SANGLE ARRIÈRE

1. Retirez délicatement la broche de retenue de la sangle arrière avec un poinçon de taille appropriée ou une clé Allen. Pour ce faire, appuyez sur la broche de chaque côté de la crosse.
2. Une fois la goupille retirée, saisissez le bas de la sangle arrière et soulevez-la pour la dégager de la crosse.



## INSTALLATION DE LA SANGLE ARRIÈRE

3. En commençant à un angle de 45 degrés par rapport à la crosse, insérez la partie supérieure de la sangle arrière dans le cadre. Tournez en poussant vers le bas jusqu'à ce que la crosse soit correctement alignée.
4. Installez la goupille de retenue de la sangle arrière.



### **ATTENTION :**

AVANT TOUT ENTRETIEN, NETTOYAGE OU MAINTENANCE, ASSUREZ-VOUS TOUJOURS QUE VOTRE PISTOLET À AIR COMPRIMÉ EST DÉCHARGÉ. POINTEZ-LE TOUJOURS DANS UNE DIRECTION SÛRE. IL EST IMPORTANT D'EFFECTUER DES INSPECTIONS DE ROUTINE ET D'ENTREtenir CORRECTEMENT VOTRE PISTOLET À AIR COMPRIMÉ.



# Remplacement de la rallonge de crosse

[Version compacte 96,5 mm uniquement]

Votre pistolet à air comprimé XD(M)<sup>®</sup> de Springfield Armory<sup>®</sup> est fourni avec des rallonges de crosse interchangeables pour accompagner les sangles arrière interchangeables.

1. Avec le chargeur retiré du pistolet, repérez la rallonge de la crosse située en bas du chargeur.



2. Tirez la rallonge vers le haut pour la dégager du chargeur.



3. Insérez la rallonge de votre choix en la faisant glisser vers le bas dans le sens indiqué. Appuyez fermement sur la rallonge vers le bas du chargeur jusqu'à ce qu'elle affleure la plaque de base du chargeur.



# Entretien et maintenance

**ATTENTION :** ASSUREZ-VOUS QUE LE CANON DU FUSIL À AIR COMPRIMÉ POINTE TOUJOURS DANS UNE DIRECTION SÛRE. NE VISEZ JAMAIS DES PERSONNES OU DES ANIMAUX INNOCENTS. MANIPULEZ TOUJOURS VOTRE FUSIL À AIR COMPRIMÉ COMME S'IL ÉTAIT CHARGÉ ET PRÊT À TIRER.

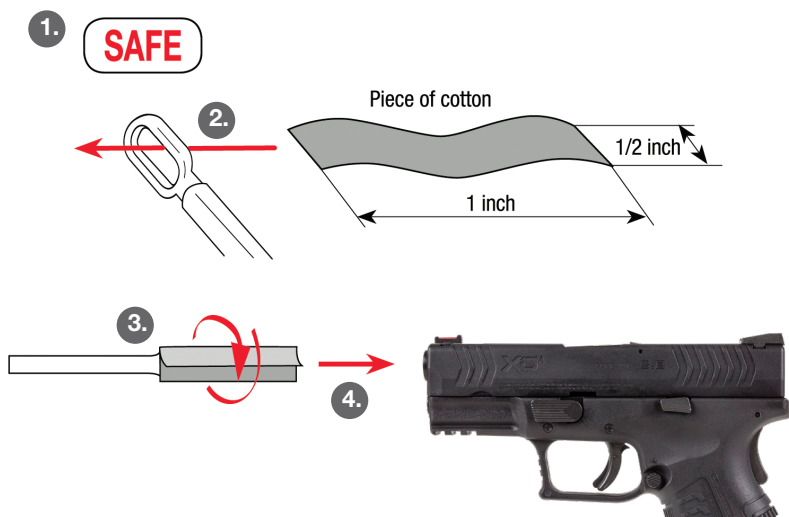
**ATTENTION :** NE TENTEZ JAMAIS DE NETTOYER LE FUSIL À AIR COMPRIMÉ SANS AVOIR D'ABORD RÉGLÉ LA SÉCURITÉ SUR « SÛR », ENLEVÉ LE CHARGEUR ET VÉRIFIÉ QUE LE CANON EST VIDE.

Pour éviter la rouille, les parties métalliques exposées doivent être nettoyées à l'aide d'un chiffon légèrement huilé après la manipulation. Utilisez de l'huile sans acide et sans résine. Effectuez des inspections de routine du fusil à air comprimé pour vous assurer de son bon fonctionnement.

**ATTENTION :**

LES HUILES CONTENANT DE L'ACIDE OU DE LA RÉSINE PEUVENT ENDOMMAGER LES JOINTS ET LE VERNIS DU PISTOLET.

- Ne forcez pas la tige dans le canon car vous risqueriez de l'endommager.
- Ne versez jamais d'huile de silicone directement dans le canon.













# SPRINGFIELD ARMORY® USA

DEFEND YOUR LEGACY.

Airgun Series



Air Venturi®, Ohio, USA is the exclusive worldwide Licensee for all Springfield Armory® replica firearms and accessories manufactured in regard to their intellectual properties (IP) rights. All rights are inclusive of all type, models and kinds of Airguns and Airguns replica firearms, components, CO2 and accessories.

**Air**  
**Venturi**  
THE POWER OF AIR

5135 Naiman Parkway, Cleveland, OH 44139

OH: 216-292-2570 • fax: 216-373-0086