



Ampt String Optimizer V1000 Series

Installation Manual

57070009-1 H



Copyright 2015-2018 Ampt LLC. All rights reserved. No part of this document may be reproduced, retransmitted, or copied in any form without the expressed and written permission of Ampt.

This document contains information needed to install and commission an Ampt optimizer (including Smart String Technology™ optimizers, String Stretch® optimizers, Ampt Mode® optimizers, String View® optimizers, V-match™ optimizers, I-match™ optimizers, Direct-to-Battery™ optimizers, and Direct-to-Converter™ optimizers) within a photovoltaic (PV) installation.

U.S. and international patents apply to this product. For details visit:
www.ampt.com/patents.

Read This First

To help avoid problems during the system installation, familiarize yourself in advance with the installation process by reading this entire document before starting the installation.



Risk of electric shock, do not remove covers. No user serviceable parts inside. Refer servicing to qualified service personnel. When the photovoltaic array is exposed to light, it supplies a dc voltage to this equipment.



Le risqué de décharge électirque n'enlèvent pas la couverture. Aucunes pieces utiles d'utilisateur à l'intérieur. Référéz-vous l'entretien au personnel de service qualifiè. Quand la range photovoltaïque est exposée à la lumière. Il fournit une tension CC à cet équipement.



Hot surfaces – to reduce the risk of burns – do not touch.



Les surfaces chaudes - pour réduire le risque de brûlures - ne se touchent pas.

IMPORTANT SAFETY INSTRUCTIONS

This manual contains important instructions for Ampt optimizers that shall be followed during installation and maintenance. The optimizer has been designed and tested according to international safety requirements, but requires certain precautions are observed when installing and/or operating the optimizer. To reduce the risk of personal injury and to ensure the safe installation and operation of the optimizer, please be sure you carefully read and follow all instructions and safety messages in this manual.

SAVE THESE INSTRUCTIONS

Safety Message Types

The following messaging is used to identify a hazard to equipment or personnel:



DANGER

Indicates a hazardous situation which, if not avoided, will result in death or serious injury.



WARNING

Indicates a hazardous situation which, if not avoided, could result in death or serious injury.



CAUTION

Indicates a hazardous situation which, if not avoided, could result in minor or moderate injury.

NOTICE

Indicates information considered important but not hazard, or personal injury, related - for example, property damage.

General Safety

Installation and maintenance should be performed only by qualified persons. Installers and maintenance personnel assume the risk of all injury that might occur during installation or maintenance including, without limitation, the risk of electric shock. Follow your safety procedures and protocols.

All electrical installations must be done in accordance with the local and National Electrical Code ANSI/NFPA 70; Canadian Electrical Code, Part I; or the applicable standards, codes, and regulations for your region.

The Ampt product contains no user-serviceable parts. All repairs and maintenance should be handled in accordance with the instructions and terms contained in the product warranty.

Before installing or using the Ampt optimizer, read all of the instructions and safety messages-on the optimizer and in this manual. Follow the safety precautions for this product as well as the other components in the PV system.

PV modules produce electrical energy when exposed to light and thus can create an electrical shock hazard. Wiring of the PV modules should only be performed by qualified personnel.

Disclaimer of Liability

Ampt makes no representations, expressed or implied, that with respect to this documentation or any of the equipment and/or software it may describe, including (with no limitation) any implied warranties of utility, merchantability, or fitness for any particular purpose. All such warranties are expressly disclaimed. Ampt shall not be liable for any indirect, incidental, or consequential damages under any circumstances. (The exclusion of implied warranties may not apply in all cases under some statutes, and thus the above exclusion may not apply.)

The following information is subject to change without notice, even though every attempt has been made to make this document complete, accurate and up-to-date. Readers are cautioned, however, that Ampt reserves the right to make changes without notice and shall not be responsible for any damages, including indirect, incidental or consequential damages, caused by reliance on the material presented, including, but not limited to, omissions, typographical errors, arithmetical errors or listing errors in the content material.

WARNING

Any use of the Ampt String Optimizer that is not expressly authorized in this manual or associated documentation is expressly prohibited by Ampt. Ampt disclaims any responsibility or liability for such prohibited use.

Table of Contents

Read This First	3
IMPORTANT SAFETY INSTRUCTIONS	3
Safety Message Types.....	4
General Safety.....	4
Disclaimer of Liability.....	5
Chapter 1: Product Overview.....	9
General Description.....	9
Dimensional Drawings.....	11
Physical Overview	12
Bar Code Label.....	12
Specifications	13
13.5A Output Models	13
13.3A Output Models	14
12.8A Output Models	15
12A Output Models	16
Chapter 2: Planning Installation.....	17
Overview	17
Inputs	17
Acceptable Input Configurations.....	17
Unacceptable Input Configurations.....	18
Acceptable Input Configurations Between Parallel Optimizers	18
Electrical Connections	19
Ungrounded PV Systems.....	19
Resistively Grounded PV Systems (positive or negative)	19
Fuse Sizes.....	19
Inter-row Shading Wiring Example.....	20
Cabling Connectors.....	20
Chapter 3: Installing the Ampt String Optimizer	21
Getting Started.....	21
Parts and Tools Needed.....	21
Mounting and Grounding the String Optimizer	22
Steps.....	22
Making Electrical Connections.....	23
Steps.....	24
Verifying Electrical Connections	27
Before Connecting the Optimizer Output in parallel to other circuits:.....	27
Verify Operational Currents and/or Output Power	27

Uninstalling an Optimizer	28
Steps.....	28
Unexpected Current Detected	29
What this means	29
Steps.....	29
Appendix	31
Compliance.....	31
Model Numbering System	31
Markings.....	32
FCC Compliance	34
Avis IC.....	35
Contacts.....	36

Chapter 1:

Product Overview

General Description

Ampt String Optimizers are DC/DC converters with multiple features that lower the cost and improve the performance of new and existing PV systems.

Dual MPPT per optimizer - Ampt String Optimizers put maximum power point tracking on each of its two input strings of PV modules. This mitigates or eliminates mismatch losses to deliver more energy under changing environmental and system conditions over the lifetime of the power plant.

String Stretch[®] – Ampt's patented String Stretch[®] technology puts voltage and current limits on the output of each optimizer which doubles the number of modules per string and allows for smaller conductor sizing per kilowatt delivered to save up to 50% on electrical BOS costs.

Ampt Mode[®] – Inverters with Ampt Mode[®] operate in a narrow input voltage range that is closer to the maximum system voltage. This allows the inverter to deliver a higher AC output voltage at the same current which raises the rated output power of the inverter to lower the inverter's cost per watt.

V-match[™] – Ampt's patented V-match[™] technology allows the output of our optimizers to match the DC bus voltage set by the inverter or battery while delivering full available power from the PV modules. This uniquely allows PV arrays with Ampt to automatically adapt to legacy or future power equipment to repower existing systems, upgrade inverters, deploy optimized DC-coupled storage systems, and other applications.

I-match[™] - Ampt's patented I-match[™] technology allows the PV array to automatically (or by command) match the desired current of the battery as determined by either the battery SoC or the EMS.

Direct-to-Battery[™] – Ampt String Optimizers include power management technology for DC-coupled energy storage systems (ESS). Our Direct-to-Battery[™] technology allows the optimizer, battery, and inverter to share the same DC bus without additional charging equipment dedicated to the battery. This feature enables storage systems with greater efficiency, flexibility, and scalability at a lower cost.

Direct-to-Converter™ – For DC-coupled energy storage systems, Ampt String Optimizers include Direct-to-Converter™ technology which allows the DC bus to operate at a higher fixed voltage. This increases the power density of both the battery charger and inverter to lower equipment cost per watt while increasing the solar+storage system efficiency.

High DC/AC – Ampt’s patented technology allows DC/AC ratios of 2:1 or more. This enables system owners to expand the DC power on existing systems without replacing inverters, combiners, or cables. It also opens design flexibility for new systems to optimize inverter utilization and cost per watt.

Wireless Communication – Ampt String Optimizers incorporate optional wireless communication to provide string-level data that is highly accurate, synchronous, and scalable to improve O&M, as well as enhanced controls for storage applications.

For more information on Ampt’s product features and applications, visit www.ampt.com.

Dimensional Drawings

The dimensions for the String Optimizer shown below are in millimeters and inches.

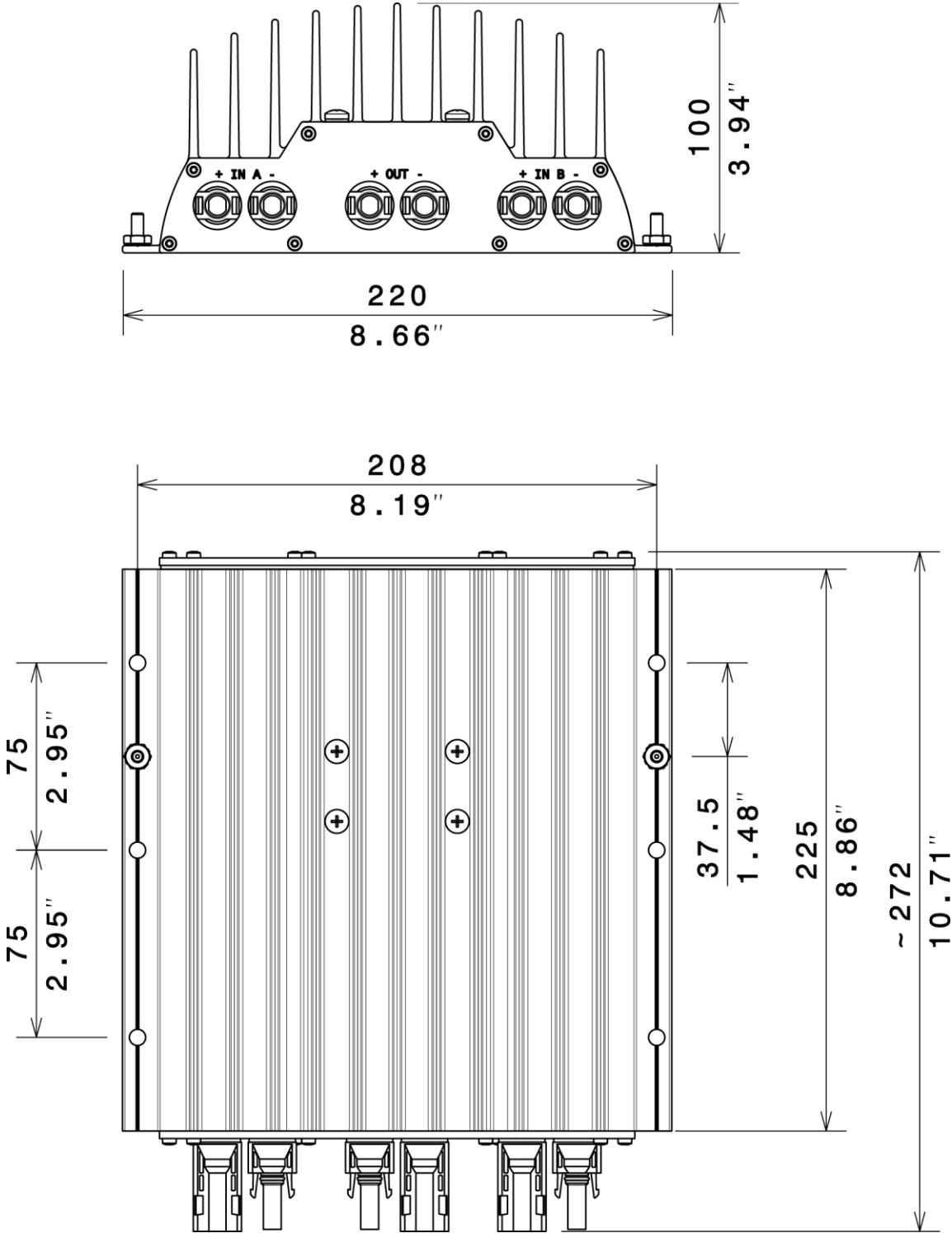


Figure 1: Dimensional drawings

Physical Overview

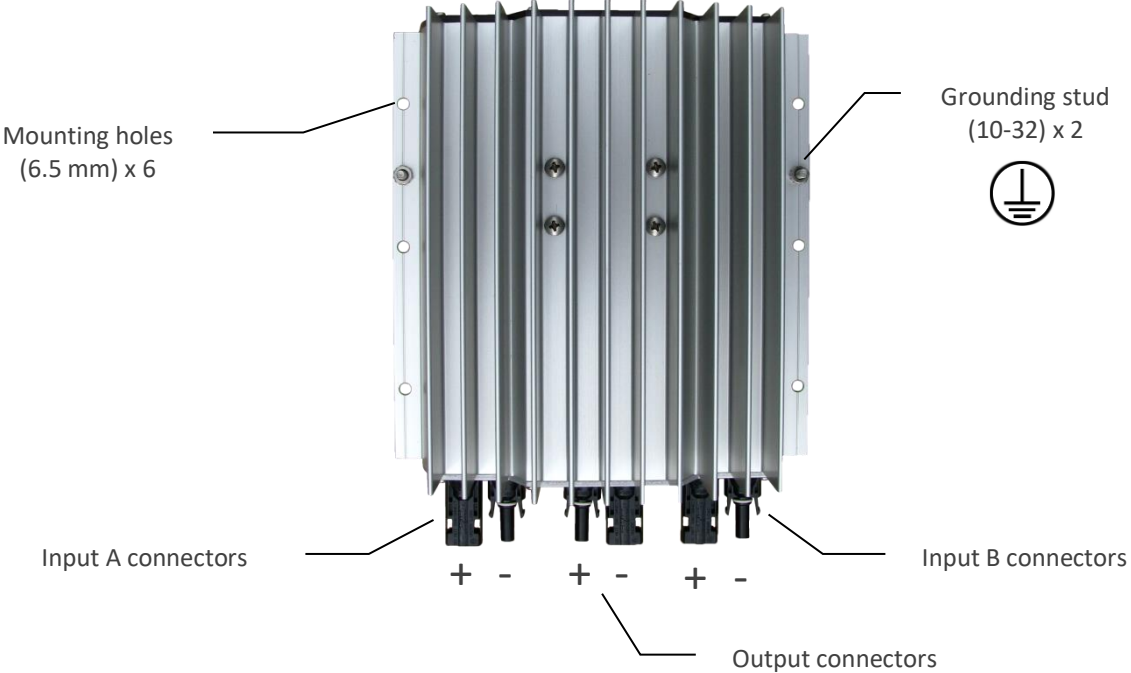


Figure 2: Physical overview of the string optimizer

Bar Code Label

The image below shows the bar code label with model and serial numbers.



Figure 3: Bar code tag with the model and serial numbers

Specifications

13.5A Output Models

	V850-13.5	V875-13.5	V900-13.5	V925-13.5	V950-13.5	V975-13.5	V1000-13.5
Model Number	31570017-0850	31570017-0875	31570017-0900	31570017-0925	31570017-0950	31570017-0975	31570017-1000
Electrical							
Input							
Maximum voltage per input ¹	V	1000	1000	1000	1000	1000	1000
Maximum current per input ²	A	12.8	12.8	12.8	12.8	12.8	12.8
MPP tracking voltage range	V	190 – 900	190 – 900	190 – 900	190 – 900	190 – 900	190 – 900
Number of inputs		2	2	2	2	2	2
Output							
Output voltage	V	0 – 850	0 – 875	0 – 900	0 – 925	0 – 950	0 – 1000
Maximum output current	A	13.5	13.5	13.5	13.5	13.5	13.5
Max continuous output power	kWdc	10.8	11.1	11.4	11.7	12.1	12.7
Efficiency (max, CEC, Euro)	%	99.5, 99.3, 99.2					
Mechanical							
Input & output connector	Amphenol H4						
Dimensions	10.71" x 8.66" x 3.94" (272 mm x 220 mm x 100 mm)						
Weight	10.6 lbs. (4.8 kg)						
Ambient temperature operating range	-40 °F to + 167 °F (-40 °C to +75 °C)						
Cooling	Convection						
General							
Maximum system voltage	1000 V						
Compliance	ETL to UL 1741; IEC 61000-6-1, 61000-6-3, 62109; CE; Giteki 2-1-19; FCC Part 15, class A						
Ingress protection	IP 66/4X						

1. Voc at coldest design temp. - follow Ampt's design guidelines to determine the number of modules per input and max. system voltage.
2. Module Imp at standard test condition (STC) - irradiation level of 1000 W/m² at 25°C.

13.3A Output Models

	V850-13.3	V875-13.3	V900-13.3	V925-13.3	V950-13.3	V975-13.3	V1000-13.3
Model Number	31570016-0850	31570016-0875	31570016-0900	31570016-0925	31570016-0950	31570016-0975	31570016-1000
Electrical							
Input							
Maximum voltage per input ¹	V	1000	1000	1000	1000	1000	1000
Maximum current per input ²	A	12.8	12.8	12.8	12.8	12.8	12.8
MPP tracking voltage range	V	190 – 900	190 – 900	190 – 900	190 – 900	190 – 900	190 – 900
Number of inputs		2	2	2	2	2	2
Output							
Output voltage	V	0 – 850	0 – 875	0 – 900	0 – 925	0 – 950	0 – 1000
Maximum output current	A	13.3	13.3	13.3	13.3	13.3	13.3
Max continuous output power	kWdc	10.9	11.2	11.6	11.9	12.2	12.8
Efficiency (max, CEC, Euro)	%	99.5, 99.3, 99.2					
Mechanical							
Input & output connector	Amphenol H4						
Dimensions	10.71" x 8.66" x 3.94" (272 mm x 220 mm x 100 mm)						
Weight	10.6 lbs. (4.8 kg)						
Ambient temperature operating range	-40 °F to + 167 °F (-40 °C to +75 °C)						
Cooling	Convection						
General							
Maximum system voltage	1000 V						
Compliance	ETL to UL 1741; IEC 61000-6-1, 61000-6-3, 62109; CE; Giteki 2-1-19; FCC Part 15, class A						
Ingress protection	IP 66/4X						

1. Voc at coldest design temp. - follow Ampt's design guidelines to determine the number of modules per input and max. system voltage.
2. Module Imp at standard test condition (STC) - irradiation level of 1000 W/m² at 25°C.

12.8A Output Models

	V850-12.8	V875-12.8	V900-12.8	V925-12.8	V950-12.8	V975-12.8	V1000-12.8
Model Number	31570015-0850	31570015-0875	31570015-0900	31570015-0925	31570015-0950	31570015-0975	31570015-1000
Electrical							
Input							
Maximum voltage per input ¹	V	1000	1000	1000	1000	1000	1000
Maximum current per input ²	A	12.8	12.8	12.8	12.8	12.8	12.8
MPP tracking voltage range	V	190 – 900	190 – 900	190 – 900	190 – 900	190 – 900	190 – 900
Number of inputs		2	2	2	2	2	2
Output							
Output voltage	V	0 – 850	0 – 875	0 – 900	0 – 925	0 – 950	0 – 1000
Maximum output current	A	12.8	12.8	12.8	12.8	12.8	12.8
Max continuous output power	kWdc	10.5	10.8	11.1	11.4	11.7	12.3
Efficiency (max, CEC, Euro)	%	99.5, 99.3, 99.2					
Mechanical							
Input & output connector	Amphenol H4						
Dimensions	10.71" x 8.66" x 3.94" (272 mm x 220 mm x 100 mm)						
Weight	10.6 lbs. (4.8 kg)						
Ambient temperature operating range	-40 °F to + 167 °F (-40 °C to +75 °C)						
Cooling	Convection						
General							
Maximum system voltage	1000 V						
Compliance	ETL to UL 1741; IEC 61000-6-1, 61000-6-3, 62109; CE; Giteki 2-1-19; FCC Part 15, class A						
Ingress protection	IP 66/4X						

1. Voc at coldest design temp. - follow Ampt's design guidelines to determine the number of modules per input and max. system voltage.
2. Module Imp at standard test condition (STC) - irradiation level of 1000 W/m² at 25°C.

12A Output Models

	V850-12	V875-12	V900-12	V925-12	V950-12	V975-12	V1000-12
Model Number	31570014-0850	31570014-0875	31570014-0900	31570014-0925	31570014-0950	31570014-0975	31570014-1000
Electrical							
Input							
Maximum voltage per input ¹	V	1000	1000	1000	1000	1000	1000
Maximum current per input ²	A	12.3	12.3	12.3	12.3	12.3	12.3
MPP tracking voltage range	V	190 – 900	190 – 900	190 – 900	190 – 900	190 – 900	190 – 900
Number of inputs		2	2	2	2	2	2
Output							
Output voltage	V	0 – 850	0 – 875	0 – 900	0 – 925	0 – 950	0 – 1000
Maximum output current	A	12	12	12	12	12	12
Max continuous output power	kWdc	9.8	10.1	10.4	10.7	11.0	11.6
Efficiency (max, CEC, Euro)	%	99.5, 99.3, 99.2					
Mechanical							
Input & output connector	Amphenol H4						
Dimensions	10.71" x 8.66" x 3.94" (272 mm x 220 mm x 100 mm)						
Weight	10.6 lbs. (4.8 kg)						
Ambient temperature operating range	-40 °F to + 167 °F (-40 °C to +75 °C)						
Cooling	Convection						
General							
Maximum system voltage	1000 V						
Compliance	ETL to UL 1741; IEC 61000-6-1, 61000-6-3, 62109; CE; Giteki 2-1-19; FCC Part 15, class A						
Ingress protection	IP 66/4X						

1. Voc at coldest design temp. - follow Ampt's design guidelines to determine the number of modules per input and max. system voltage.
2. Module Imp at standard test condition (STC) - irradiation level of 1000 W/m² at 25°C.

Chapter 2:

Planning Installation

Overview

This chapter defines the acceptable criteria for input connections, describes the appropriate electrical connections based on the grounding configuration of your PV system, and explains the mating connector polarities for the inputs and output of the String Optimizer.

Inputs

This section defines the acceptable criteria for the two input connections of the Ampt String Optimizer.

NOTICE

The inputs of the optimizer are not intended for connection to a battery or any other type of DC source except PV modules.

The following information applies to 60- or 72-cell c-Si/p-Si modules. If you are using another type of module (e.g. thin-film), please contact Ampt for configuration rules.

In the figures that follow, the number of modules connected in series is representative only. Follow Ampt’s design guidelines to determine the number of modules for each input.

Acceptable Input Configurations

It is common for inputs A and B to have the same number of modules (i.e. $A = B$). However, if the number of modules between inputs is different, then input A can have one more module than input B (i.e. $A = B + 1$).

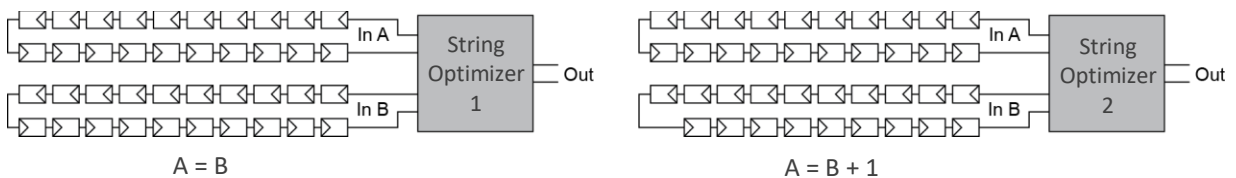


Figure 4: The number of modules on each input can be the same as illustrated by String Optimizer 1, or input A can have one more module than input B as shown by String Optimizer 2.

Unacceptable Input Configurations

The figure below illustrates input configurations that do not meet the criteria described in the previous section.

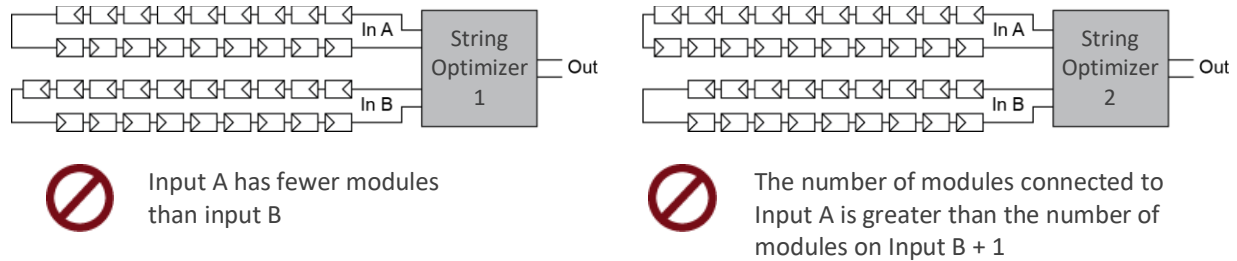


Figure 5: Unacceptable input configurations.

Acceptable Input Configurations Between Parallel Optimizers

The number of modules on each input between parallel optimizers can vary within an array so long as they meet the criteria described in the *Acceptable Input Configurations* section and are within the minimum and maximum limits determined by Ampt's design guidelines. An example is shown below.

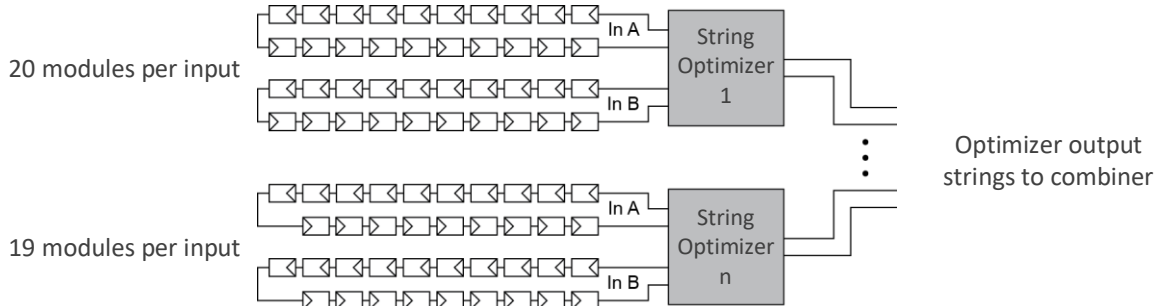


Figure 6: The number of modules per input between parallel optimizers can vary so long as they follow the acceptable input configuration criteria and Ampt's design guidelines.

Electrical Connections

The electrical connection of the String Optimizer is done after mounting and grounding the unit and depends on the grounding configuration of your PV system.

Ungrounded PV Systems

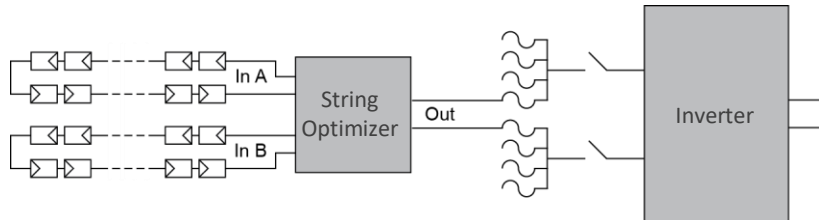


Figure 7: Electrical connections for an ungrounded PV system

Resistively Grounded PV Systems (positive or negative)

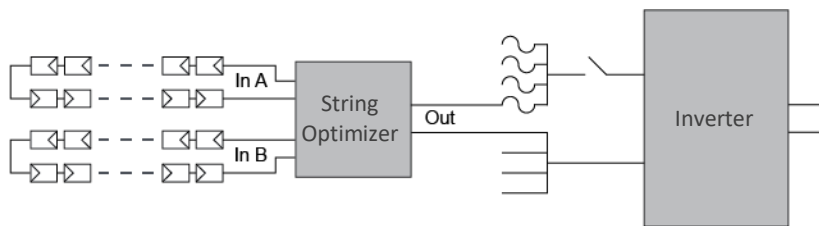


Figure 8: Electrical connections for a grounded PV system

Fuse Sizes

⚠ CAUTION

Over-current protection devices and conductors shall be sized in accordance with the National Electrical Code (ANSI/NFPA 70); Canadian Electrical Code, Part I; or the applicable standards, codes, and regulations for your region.

The output current limit of the Ampt String Optimizer eliminates the need for the 1.25 multiplication factor for over-sun conditions when calculating ampacity. The 1.25 multiplier for continuous use is still required.

Optimizer Max Output Current (A)	Minimum Fuse Size (A)
12	15
12.8	16
13.3	16.625
13.5	16.875

Inter-row Shading Wiring Example

When inter-row shading is expected, the best practice is to wire the modules on the two inputs of the Ampt String Optimizer to be on the same row as shown below.

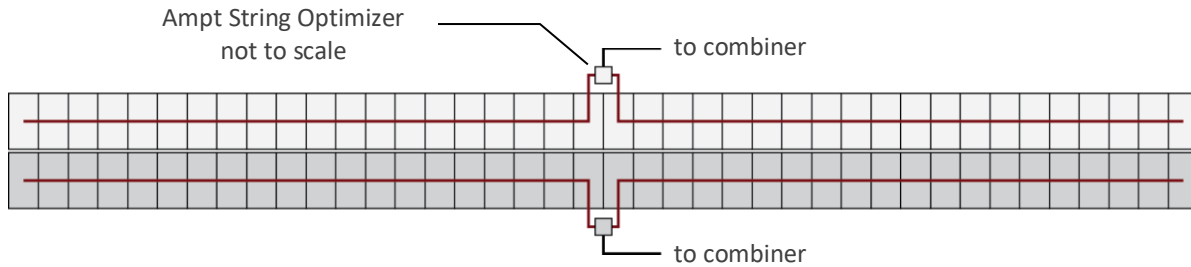


Figure 9: Wiring example when inter-row shading is expected

Cabling Connectors

The figure below shows the mating connectors and polarities for the inputs and output of the String Optimizer.

NOTICE

Use only Amphenol H4 mating connectors.

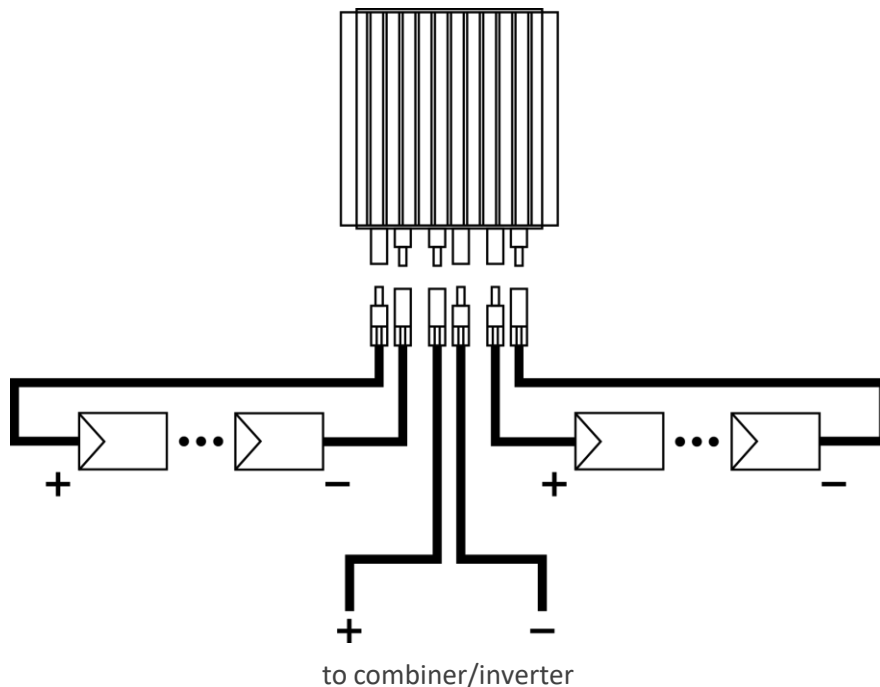


Figure 10: Mating connectors and associated polarity for the two inputs and the output of the String Optimizer

Chapter 3:

Installing the Ampt String Optimizer

Getting Started

This chapter addresses the proper mounting and installation of the Ampt String Optimizer. Read the entire chapter before starting the procedures and then conduct each task in the order given.

Parts and Tools Needed

- The mounting hardware varies by the type of PV module mounting rail.
- Amphenol H4 connector unlocking tool (Amphenol p/n: H4TR0000 or H4TU0000). Follow all safety practices when connecting and disconnecting PV connectors.
- General purpose anti-seize compound.
- Volt meter (rated for the PV system's maximum system voltage) with DC current clamp.

Mounting and Grounding the String Optimizer

WARNING

Read the warning statements below:

Installation and maintenance should be performed only by qualified persons. Installers and maintenance personnel assume the risk of all injury that might occur during installation or maintenance including, without limitation, the risk of electric shock. Follow your safety procedures and protocols.

All electrical installations must be done in accordance with the local and National Electrical Code ANSI/NFPA 70; Canadian Electrical Code, Part I; or the applicable standards, codes, and regulations for your region.

The Ampt optimizer is to be installed so that it is not expected to be contacted by persons.

CAUTION

Keep connectors dry and clean. Do not install Ampt String Optimizers in a location where they might be immersed in water.

Steps

1. Mount the String Optimizer to the rack using the mounting holes provided.
 - a. See *Dimensional Drawings* on page 11
 - b. The recommended practice is to mount the unit parallel to the PV modules with the connectors facing downward.
 - c. Ensure sufficient spacing such that the safety icons as well as the serial and model numbers on the bar code label can be read by maintenance personnel.
2. Ground the String Optimizer as required by your local codes using one of the grounding studs provided, or with a listed bonding washer.

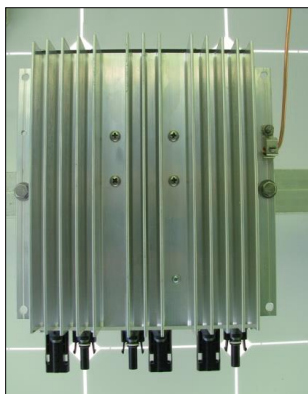


Figure 11: Ampt String Optimizer mounted and grounded

Making Electrical Connections

WARNING

Read the warning statements below:

Installation and maintenance should be performed only by qualified persons. Installers and maintenance personnel assume the risk of all injury that might occur during installation or maintenance including, without limitation, the risk of electric shock. Follow your safety procedures and protocols.

Do not make or break connections under load.

Ensure that there are no parallel connections to the string while series connections are being made.

Voltage may be present on the output terminals when an input terminal is connected.

Voltage builds as modules are connected in series.

CAUTION

Read the caution statements below:

To reduce the risk of fire, connect the outputs of the Ampt equipment only to conductors with sufficient ampacity based on the maximum output fault current (maximum optimizer output current) for the chosen optimizer. Over-current protection devices and conductors shall be sized in accordance with the National Electrical Code (ANSI/NFPA 70); Canadian Electrical Code, Part I; or the applicable standards, codes, and regulations for your region.

Over current protection is required for the DC output circuit in the installation.

Ampt recommends that a disconnect switch be included in the installation for the DC output.

NOTICE

Use only Amphenol H4 mating connectors.

NOTICE

Per Canadian Electrical Code, the installer is required to mark the device with the following wording or equivalent, located on or adjacent to each wiring compartment giving access to high voltage circuits, only if actually connected to high voltage in the installation:

DANGER — HIGH VOLTAGE

or

DANGER XXX V

where XXX is replaced by the rated voltage.

Steps

1. Read the warning, caution, and notice statements above.
2. Ensure the String Optimizer is mounted and grounded.
 - See *Mounting and Grounding the String Optimizer* on page 22.
3. Make sure you are familiar with the electrical connections for the String Optimizer in your system. See:
 - *Electrical Connections* on page 19.
 - *Cabling Connectors* on page 20.
4. Ensure the output cables are appropriately terminated at the combiner box and not connected to any other circuits.
5. Connect the appropriate cables to the output (OUT) of the String Optimizer. Pay special attention to the voltage polarity and the connector gender of these cables as illustrated in Figure 12. See:
 - *Electrical Connections* on page 19.
 - *Cabling Connectors* on page 20.

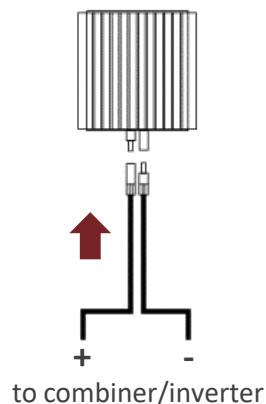


Figure 12: Connecting the output connectors

6. Ensure the planned input connections meet the acceptable criteria.
 - See *Inputs* on page 17.
7. Connect the modules in series for each input by following your procedures and safety protocols.
8. Validate the voltage *and polarity* of the modules in series as well as the connector gender before connecting them to inputs A and B by following your procedures and safety protocols.

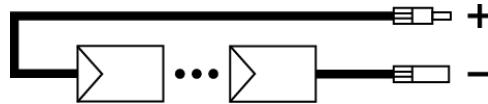


Figure 13: Polarity and gender for each input connector

9. Connect the series of modules for Input A to the *IN A* terminal of the String Optimizer.
 - Note: While it should always be assumed that voltage may be present on the output terminals whenever an input terminal is connected, the engine of the String Optimizer is powered from modules connected to Input B. Therefore, if modules are *only* connected to Input A and there is no output voltage detected, this is normal behavior.

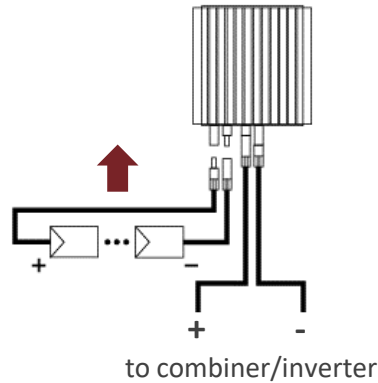


Figure 14: Connecting Input A (IN A)

10. Connect the series of modules for Input B to the *IN B* terminal of the String Optimizer.

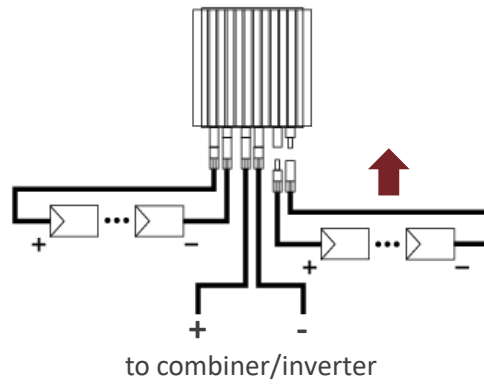


Figure 15: Connecting Input B (IN B)

11. Ensure that the locking mechanisms on all connectors are fully engaged.

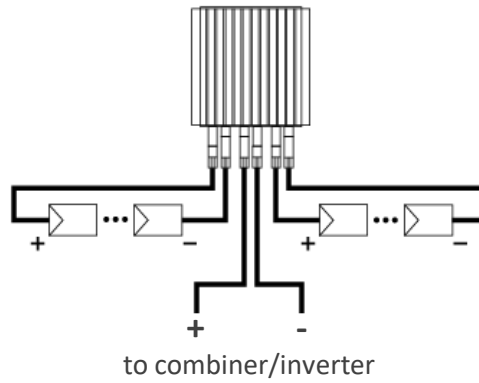


Figure 16: Verify that the connectors are fully engaged

12. Proceed to the next section and verify electrical connections.

Verifying Electrical Connections

WARNING

Read the warning statements below:

Installation and maintenance should be performed only by qualified persons. Installers and maintenance personnel assume the risk of all injury that might occur during installation or maintenance including, without limitation, the risk of electric shock. Follow your safety procedures and protocols.

Do not make or break connections under load.

NOTICE

Because Ampt String Optimizers alter the I-V curve of the array, curve tracers are not recommended during commissioning.

Before Connecting the Optimizer Output in parallel to other circuits:

1. Read the warning and notice statements above.
2. Verify the optimizer circuit is isolated and not under load by following your safety procedures and protocols.
3. Verify the output voltage *and polarity* of the String Optimizer by measuring the optimizer output string voltage at the combiner box by following your safety procedures and protocols.
 - Expect to see the upper limit of the *output voltage range* for the appropriate String Optimizer model. See *Specifications* section on page 13.
4. Verify that there is zero current flowing through the optimizer circuit by using a current clamp on each wire connected to the optimizer. Individually test each wire connected to Input A, Input B, and the output.
 - If current is detected on any of these cables, STOP and go immediately to the *Unexpected Current Detected* section on page 29.

Verify Operational Currents and/or Output Power

1. Read the warning and notice statements above.
2. Because the String Optimizers effectively change strings from current sources to power sources, they deliver full power at a variety of voltages and currents. Therefore, both the output voltage and current must be known to validate output performance under load. There are two ways to validate performance:
 - a. If all optimizer output string voltages are the same, then the optimizer output string currents will be proportional to the sum of the optimizer input powers at the time of the measurement.

- b. If the optimizer output string voltages are different at the time of measurement, then the optimizer *output voltage x output current = output power* may be used to compare to the sum of the measured or predicted optimizer input powers.

Uninstalling an Optimizer

WARNING

Read the warning statements below:

Installation and maintenance should be performed only by qualified persons. Installers and maintenance personnel assume the risk of all injury that might occur during installation or maintenance including, without limitation, the risk of electric shock. Follow your safety procedures and protocols.

Do not perform any servicing other than that specified in these instructions.

Do not make or break connections under load.

Voltage may be present on the output terminals when an input terminal is connected.

CAUTION

Read that caution statements below:

The Ampt product contains no user-serviceable parts. All repairs and maintenance should be handled in accordance with the instructions and terms contained in the product warranty.

The surface of the heat sink may be hot.

Steps

1. Read the warning and caution statements above.
2. Ensure the String Optimizer is not under load by following your safety procedures and protocols.
3. Verify that there is zero current flowing through the optimizer circuit by using a current clamp on each wire connected to the optimizer. Individually test each wire connected to Input A, Input B, and the output.
 - a. If current is detected on any of these cables, STOP and go immediately to the *Unexpected Current Detected* section on page 29.

4. If no current is detected, then use the Amphenol H4 connector unlocking tool to disconnect connectors in the following order:
 - a. Input B (IN B)
 - b. Input A (IN A)
 - c. Output (OUT)

Unexpected Current Detected

WARNING

Read the warning statements below:

Installation and maintenance should be performed only by qualified persons. Installers and maintenance personnel assume the risk of all injury that might occur during installation or maintenance including, without limitation, the risk of electric shock. Follow your safety procedures and protocols.

Do not make or break connections under load.

Do not perform any servicing other than that specified in these instructions

Voltage may be present on the output terminals when an input terminal is connected.

CAUTION

Read that caution statements below:

The Ampt product contains no user-serviceable parts. All repairs and maintenance should be handled in accordance with the instructions and terms contained in the product warranty.

The surface of the heat sink may be hot.

What this means

If current is detected on either one of the inputs or the output when the String Optimizer is not under load, then this usually indicates that the optimizer has been connected improperly.

Steps

1. Read the warning and caution statements above.
2. Wait for zero irradiance.

3. Before disconnecting, verify that there is zero current flowing through the optimizer circuit by using a current clamp on each wire connected to the optimizer. Individually test each wire connected to Input A, Input B, and the output.
4. If no current is detected, then use the Amphenol H4 connector unlocking tool to disconnect connectors in the following order:
 - a. Input B (IN B)
 - b. Input A (IN A)
 - c. Output (OUT)
5. Follow your safety procedures and protocols to verify that the gender of the connectors, the voltage polarities, and the cable routings match the *Cabling Connectors* section on page 20.
6. Follow the *Making Electrical Connections* procedure starting on page 23.

Appendix

Compliance

The box is not meant to be user serviced or opened in any way.






Model Numbering System

The model numbers for Ampt String Optimizers are in the following format:

- 31570017-xxxx (13.5A models, ranging from 350 – 1000V)
- 31570016-xxxx (13.3A models, ranging from 350 – 1000V)
- 31570015-xxxx (12.8A models, ranging from 350 – 1300V)
- 31570014-xxxx (12A models, ranging from 350V – 1300V)

...where xxxx equals voltage of the unit (e.g. -0750 is a V750; -1300 is V1300).

Markings

 www.ampt.com 	MAXIMUM VOLTAGE PER INPUT*	   CONFORMS TO UL STD 1741. CERTIFIED TO CSA STD C22.2 NO. 107.1. Intended PV configuration: ungrounded. Patents: See www.ampt.com/patents
	OPERATING VOLTAGE RANGE PER INPUT	
	MAXIMUM CURRENT PER INPUT (Imp @ STC)	
	MAX PV SHORT-CIRCUIT CURRENT PER INPUT	
	OUTPUT VOLTAGE RANGE	
	MAXIMUM OUTPUT CURRENT	
	MAXIMUM CONTINUOUS OUTPUT POWER	
	MAXIMUM AMBIENT TEMPERATURE	
	ENCLOSURE TYPE	
	* SEE INSTRUCTIONS TO CALCULATE MAXIMUM SYSTEM VOLTAGE	

13.5A models (V850 – V1000)

	V850-13.5	V875-13.5	V900-13.5	V925-13.5	V950-13.5	V975-13.5	V1000-13.5
Ampt model number	31570017-0850	31570017-0875	31570017-0900	31570017-0925	31570017-0950	31570017-0975	31570017-1000
Maximum voltage per input (Vdc)	1000	1000	1000	1000	1000	1000	1000
Operating voltage range per input (Vdc)	190 – 900	190 – 900	190 – 900	190 – 900	190 – 900	190 – 900	190 – 900
Maximum current per input (Imp@STC) (Adc)	12.8	12.8	12.8	12.8	12.8	12.8	12.8
Max PV short-circuit current per input (Adc)	13.5	13.5	13.5	13.5	13.5	13.5	13.5
Output voltage range (Vdc)	0 – 850	0 – 875	0 – 900	0 – 925	0 – 950	0 – 975	0 – 1000
Maximum output current (Adc)	13.5	13.5	13.5	13.5	13.5	13.5	13.5
Maximum continuous output power (kWdc)	10.8	11.1	11.4	11.7	12.1	12.4	12.7
Maximum ambient temperature	75 °C/167 °F	75 °C/167 °F	75 °C/167 °F	75 °C/167 °F	75 °C/167 °F	75 °C/167 °F	75 °C/167 °F
Enclosure type	IP 66/4X	IP 66/4X	IP 66/4X	IP 66/4X	IP 66/4X	IP 66/4X	IP 66/4X

13.3A models (V850 – V1000)

	V850-13.3	V875-13.3	V900-13.3	V925-13.3	V950-13.3	V975-13.3	V1000-13.3
Ampt model number	31570016-0850	31570016-0875	31570016-0900	31570016-0925	31570016-0950	31570016-0975	31570016-1000
Maximum voltage per input (Vdc)	1000	1000	1000	1000	1000	1000	1000
Operating voltage range per input (Vdc)	190 – 900	190 – 900	190 – 900	190 – 900	190 – 900	190 – 900	190 – 900
Maximum current per input (Imp@STC) (Adc)	12.8	12.8	12.8	12.8	12.8	12.8	12.8
Max PV short-circuit current per input (Adc)	13.5	13.5	13.5	13.5	13.5	13.5	13.5
Output voltage range (Vdc)	0 – 850	0 – 875	0 – 900	0 – 925	0 – 950	0 – 975	0 – 1000
Maximum output current (Adc)	13.3	13.3	13.3	13.3	13.3	13.3	13.3
Maximum continuous output power (kWdc)	10.9	11.2	11.6	11.9	12.2	12.5	12.8
Maximum ambient temperature	75 °C/167 °F	75 °C/167 °F	75 °C/167 °F	75 °C/167 °F	75 °C/167 °F	75 °C/167 °F	75 °C/167 °F
Enclosure type	IP 66/4X	IP 66/4X	IP 66/4X	IP 66/4X	IP 66/4X	IP 66/4X	IP 66/4X

12.8A models (V850 – V1000)

	V850-12.8	V875-12.8	V900-12.8	V925-12.8	V950-12.8	V975-12.8	V1000-12.8
Ampt model number	31570015-0850	31570015-0875	31570015-0900	31570015-0925	31570015-0950	31570015-0975	31570015-1000
Maximum voltage per input (Vdc)	1000	1000	1000	1000	1000	1000	1000
Operating voltage range per input (Vdc)	190 – 900	190 – 900	190 – 900	190 – 900	190 – 900	190 – 900	190 – 900
Maximum current per input (Imp@STC) (A _{dc})	12.8	12.8	12.8	12.8	12.8	12.8	12.8
Max PV short-circuit current per input (A _{dc})	13.5	13.5	13.5	13.5	13.5	13.5	13.5
Output voltage range (Vdc)	0 – 850	0 – 875	0 – 900	0 – 925	0 – 950	0 – 975	0 – 1000
Maximum output current (A _{dc})	12.8	12.8	12.8	12.8	12.8	12.8	12.8
Maximum continuous output power (kW _{dc})	10.5	10.8	11.1	11.4	11.7	12	12.3
Maximum ambient temperature	75 °C/167 °F	75 °C/167 °F	75 °C/167 °F	75 °C/167 °F	75 °C/167 °F	75 °C/167 °F	75 °C/167 °F
Enclosure type	IP 66/4X	IP 66/4X	IP 66/4X	IP 66/4X	IP 66/4X	IP 66/4X	IP 66/4X

12A models (V850 – V1000)

	V850-12	V875-12	V900-12	V925-12	V950-12	V975-12	V1000-12
Ampt model number	31570014-0850	31570014-0875	31570014-0900	31570014-0925	31570014-0950	31570014-0975	31570014-1000
Maximum voltage per input (Vdc)	1000	1000	1000	1000	1000	1000	1000
Operating voltage range per input (Vdc)	190 – 900	190 – 900	190 – 900	190 – 900	190 – 900	190 – 900	190 – 900
Maximum current per input (Imp@STC) (A _{dc})	12.3	12.3	12.3	12.3	12.3	12.3	12.3
Max PV short-circuit current per input (A _{dc})	13	13	13	13	13	13	13
Output voltage range (Vdc)	0 – 850	0 – 875	0 – 900	0 – 925	0 – 950	0 – 975	0 – 1000
Maximum output current (A _{dc})	12	12	12	12	12	12	12
Maximum continuous output power (kW _{dc})	9.8	10.1	10.4	10.7	11.0	11.3	11.6
Maximum ambient temperature	75 °C/167 °F	75 °C/167 °F	75 °C/167 °F	75 °C/167 °F	75 °C/167 °F	75 °C/167 °F	75 °C/167 °F
Enclosure type	IP 66/4X	IP 66/4X	IP 66/4X	IP 66/4X	IP 66/4X	IP 66/4X	IP 66/4X

FCC Compliance

This device complies with part 15 of the FCC Rules. Operation is subject to the following two conditions: (1) This device may not cause harmful interference, and (2) this device must accept any interference received, including interference that may cause undesired operation.

This equipment complies with radiation exposure limits set forth for uncontrolled environment. The antenna(s) used for this transmitter must be installed to provide a separation distance of at least 20 cm from all persons.

IMPORTANT! Changes or modifications not expressly approved by Ampt, LLC could void the user's authority to operate the equipment.

NOTE: This equipment has been tested and found to comply with the limits for a Class A digital device, pursuant to part 15 of the FCC Rules. These limits are designed to provide reasonable protection against harmful interference when the equipment is operated in a commercial environment. This equipment generates, uses, and can radiate radio frequency energy and, if not installed and used in accordance with the instruction manual, may cause harmful interference to radio communications. Operation of this equipment in a residential area is likely to cause harmful interference in which case the user will be required to correct the interference at his own expense.

FCC ID # X3R-31570014
Model Number: 31570014

Avis IC

Cet appareil est conforme à la partie 15 des règles de la FCC. Son fonctionnement est soumis aux deux conditions suivantes: (1) Ce dispositif ne peut causer des interférences nuisibles, et (2) cet appareil doit accepter toute interférence reçue, y compris les interférences qui peuvent provoquer un fonctionnement indésirable.

Cet équipement est conforme aux limites d'exposition aux rayonnements définies pour un environnement non contrôlé. L'antenne (s) utilisé pour cet émetteur doit être installé pour fournir une distance de séparation d'au moins 20 cm de toute personne.

IMPORTANT! Les changements ou modifications non expressément approuvés par Ampt, LLC pourraient annuler l'autorité de l'utilisateur à utiliser l'équipement.

Remarque: Cet équipement a été testé et trouvé conforme aux limites de la classe A des appareils numériques, conformément à la partie 15 des règles de la FCC. Ces limites sont conçues pour fournir une protection raisonnable contre les interférences nuisibles lorsque l'équipement est utilisé dans un environnement commercial. Cet équipement génère, utilise et peut émettre de l'énergie radiofréquence et, si non installé et utilisé conformément au manuel d'instruction, peut causer des interférences nuisibles aux communications radio. Le fonctionnement de cet équipement dans une zone résidentielle est susceptible de provoquer des interférences nuisibles, auquel cas l'utilisateur sera tenu de corriger les interférences à ses propres frais.

Contacts

Headquarters

Ampt, LLC
4850 Innovation Drive
Fort Collins, CO 80525
970-372-6950

Sales

Global: sales@ampt.com

North America: p: +1 970.372.6952
f: +1 970.225.0483

Europe: p: +49 7456 20 88 42
f: +49 7456 20 88 43

Japan: p: +81.45.565.9977
f: +81.45.565.9938

Support

Global: support@ampt.com

North America: p: +1 970.372.6951
f: +1 970.225.0483

Europe: p: +49 7456 20 88 42
f: +49 7456 20 88 43

Japan: p: +81.45.565.9977
f: +81.45.565.9938

