



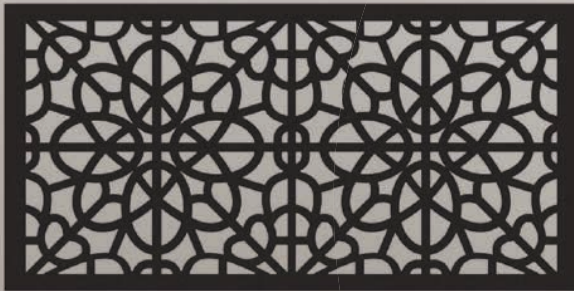
## Fretwork

**Actual size: 48-in x 24-in x .03-in**

- Unique and artistic traditional pattern
- For use with interior or exterior projects
- Install as is or paint to your desire
- Hardware sold separately

**Actual size: 48-in x 24-in x .03-in**

- Unique and artistic traditional pattern
- For use with interior or exterior projects
- Install as is or paint to your desire
- Hardware sold separately



### Kit includes:

(1) Decorative Home Screen

**Hardware sold separately**  
**Installation Instructions on back of label**

### Contenido del kit:

(1) Decorative Home Screen

**Hardware sold separately**  
**Installation Instructions on back of label**

#41009

BUILT BY **Barrette**

73004316UPC

Barrette Outdoor Living  
Cleveland, OH 44130  
FreedomVinylFence.com

Made in USA • Hecho en EE. UU.

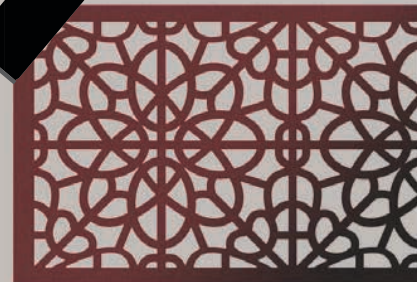
34108722



**Paintable**  
**Paintable**

Screen material will accept paint which allows you to customize to any color you prefer!

Screen material will accept paint which allows you to customize to any color you prefer!





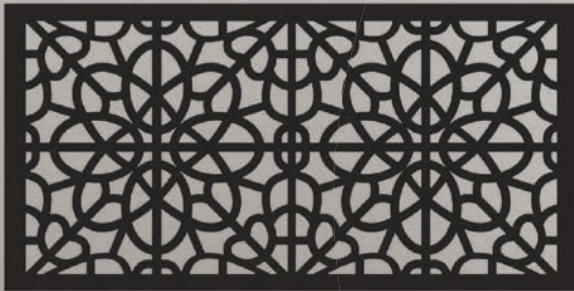
## Fretwork

**Actual size: 48-in x 24-in x .03-in**

- Unique and artistic traditional pattern
- For use with interior or exterior projects
- Install as is or paint to your desire
- Hardware sold separately

**Actual size: 48-in x 24-in x .03-in**

- Unique and artistic traditional pattern
- For use with interior or exterior projects
- Install as is or paint to your desire
- Hardware sold separately



### Kit includes:

(1) Decorative Home Screen

**Hardware sold separately**

**Installation Instructions on back of label**

### Contenido del kit:

(1) Decorative Home Screen

**Hardware sold separately**

**Installation Instructions on back of label**

#41009

BUILT BY **Barrette**

73004316UPC

Barrette Outdoor Living  
Cleveland, OH 44130  
FreedomVinylFence.com

0 5 7 5 4 5 0 4 3 1 6 6

Made in USA • Hecho en EE. UU. 34108722



**Paintable**  
**Paintable**

Screen material will accept paint which allows you to customize to any color you prefer!

Screen material will accept paint which allows you to customize to any color you prefer!





Read all instructions prior to installing product.  
Refer to manufacturers safety instructions when operating any tools.

To register your product, please visit: [FreedomProduct.com](http://FreedomProduct.com)



Lea todas las instrucciones antes de la instalación del producto.  
Consulte las instrucciones de seguridad del fabricante al utilizar herramientas.

Para registrar su producto, visite: [FreedomProduct.com](http://FreedomProduct.com)

**▲ WARNING:**

- Improper installation of this product can result in personal injury. Always wear safety goggles when cutting, drilling and assembling the product.
- Incorrect installation may cause harm to the product or individual.

**NOTICE:**

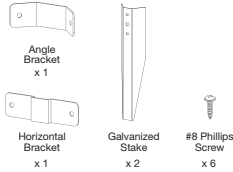
- DO NOT attempt to assemble the kit if parts are missing or damaged.
- DO NOT return the product to the store, for assistance or replacement parts call: 1-800-336-2383.

**TOOLS NEEDED:**

Phillips Screwdriver

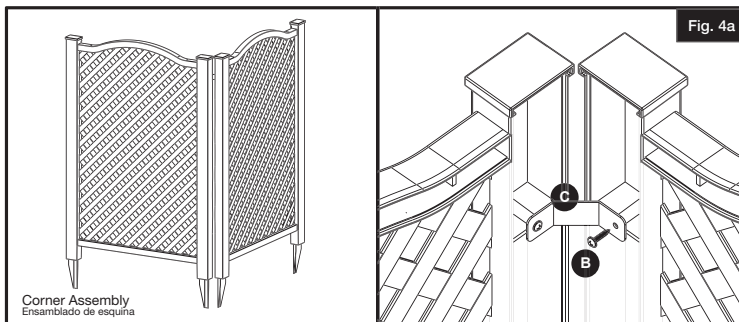
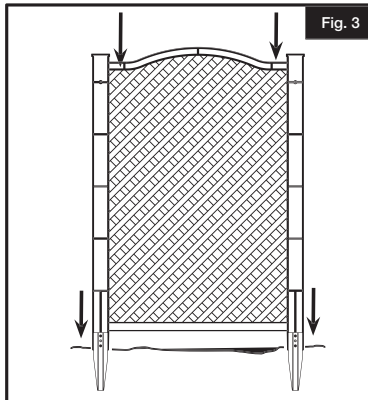
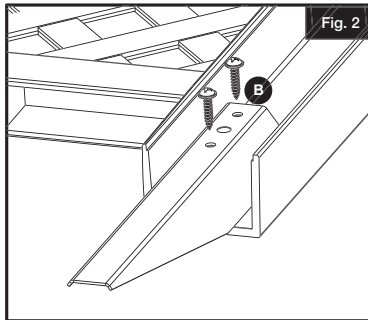
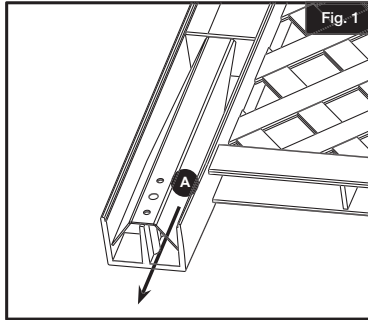
**Kit Components:**

Description
Screen
Stakes
Bracket Kit



**INSTALLATION**

- 1 Unpack components:**  
Remove galvanized stake (A) (Fig.1).
- 2 Attach stakes:**  
Insert 2 #8 Phillips screws (B) into each utility screen post to attach stake (Fig.2).
- 3 Install screen:**  
Place screen in desired location by pressing stakes into soil (Fig. 3). If the stakes are difficult to press in, loosen soil before installing.
- 4a Multiple screens, corner assembly:**  
Insert 1 #8 Phillips screw (B) into each side of angle bracket (C) for corner assembly of multiple utility screens (Fig. 4a).
- 4b Multiple screens, straight assembly:**  
Insert 1 #8 Phillips screw (B) into each side of horizontal bracket (D) for straight assembly of multiple utility screens (Fig. 4b).



Corner Assembly  
Ensamblado de esquina

**▲ ADVERTENCIA:**

- La instalación incorrecta de este producto puede resultar en lesiones corporales. Utilice siempre gafas de seguridad al cortar, taladrar y ensamblar el producto.
- La instalación incorrecta puede causar daños al producto o a personas.

**AVISO:**

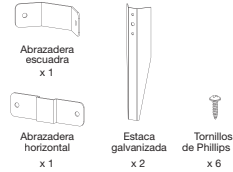
- NO intente ensamblar el kit si faltan piezas o las piezas están dañadas.
- NO devuelva el producto a la tienda; para solicitar ayuda o piezas de repuesto llame al: 1-800-336-2383

**HERRAMIENTAS QUE SE REQUIEREN:**

Destornillador Phillips

**Kit Components:**

Descripción
Mampara
Estacas
Kit de soporte



**INSTALACIÓN**

- 1 Desembalar los componentes:**  
Retire la estaca galvanizada (A) (Fig.1).
- 2 Colocar las estacas:**  
Inserte 2 tornillos de Phillips #8 (B) en cada poste de pantalla de utilidad para sujetar la estaca (Fig.2).
- 3 Instalar la mampara:**  
Coloque la pantalla en el lugar deseado apretando la estaca en el suelo (Fig.3). Si tiene problemas para enterrar las estacas, afloje la tierra antes de la instalación.
- 4a Varias mamparas, ensamblado de esquina:**  
Inserte 1 tornillo de Phillips #8 (B) en cada lado de la abrazadera escuadra (C) para un montaje en esquina de varias pantallas de utilidad (Fig.4a).
- 4b Varias mamparas, ensamblado en línea:**  
Inserte 1 tornillo de Phillips #8 (B) en cada lado de la abrazadera horizontal (D) para un montaje recto de varias pantallas de utilidad (Fig.4b).