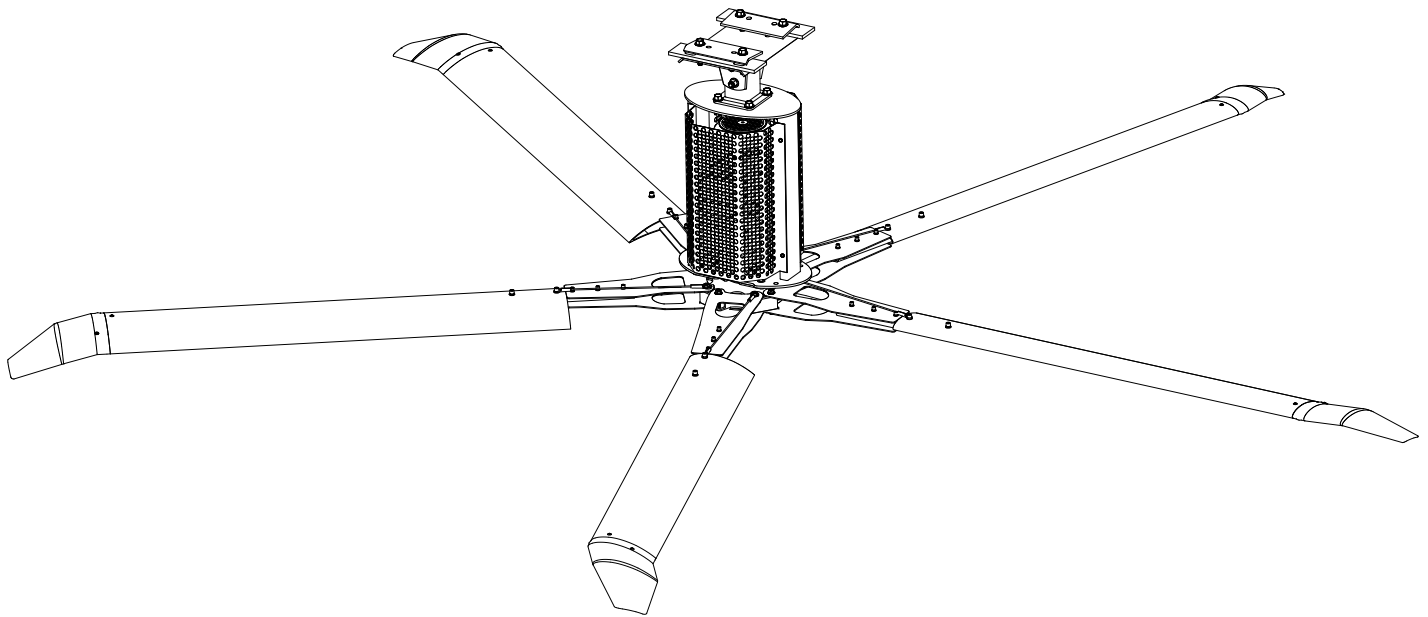


HVLS Fans



This manual applies to fans manufactured beginning May 2014 with serial numbers F61111180 and higher.

▲ WARNING

Do not install, operate or service this product unless you have read and understand the Safety Practices, Warnings, and Installation and Operating Instructions contained in this User's Manual. Failure to do so could result in death or serious injury.

User's Manual

Installation, Operations,
Maintenance and Parts

Part No. 6015653B

TABLE OF CONTENTS

Introduction.....	2	Operating Instructions	17
Safety Signal Words	2	Planned Maintenance.....	21
Safety Practices.....	3	Troubleshooting Guide	22
Owner's Responsibilities	4	VFD Fault Codes	24
Hardware	5	Fire Control System Option	25
Fan Kit.....	6	Electrical Schematics	26
Installation Considerations	7	Parts List.....	31
Installation	9	Warranty Information	43
Components and Specifications	16	Distributor Information	44

INTRODUCTION

Welcome and thank you for choosing this industrial fan from 4Front® Engineered Solutions, Inc.

This User's Manual contains information that you need to safely install, operate and maintain the fan. It also contains a complete parts list and information about ordering replacement parts. Please keep and read this User's Manual before using your new fan.

SAFETY SIGNAL WORDS

You may find safety signal words such as DANGER, WARNING, CAUTION or NOTICE throughout this User's Manual. Their use is explained below:



This is the safety alert symbol. It is used to alert you to potential personal injury hazards. Obey all safety messages that follow this symbol to avoid possible death or injury.

▲ DANGER

Indicates an imminently hazardous situation which, if not avoided, will result in death or serious injury.

▲ WARNING

Indicates a potentially hazardous situation which, if not avoided, could result in death or serious injury.

▲ CAUTION

Indicates a potentially hazardous situation which, if not avoided may result in minor or moderate injury.

NOTICE

Notice is used to address practices not related to personal injury.

Please direct questions about your fan to your local distributor.

Your local distributor is:

Corporate Head Office:

1612 Hutton Dr. Suite 140
Carrollton, TX. 75006
Tel. (972) 466-0707
Fax (972) 323-2661

WAVE™

ATEC™

4Front Engineered Solutions®