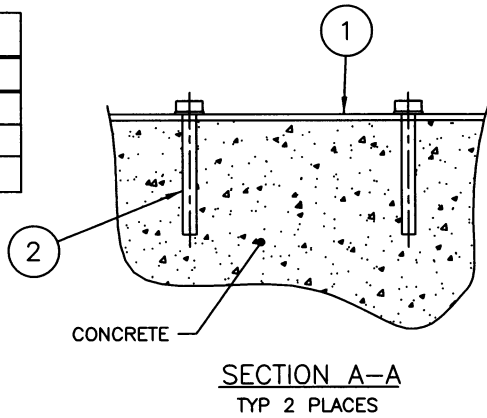


No. of Seats	"X" Distance
1-Seat	660 [36"]
2-Seat	1320 [52"]
3-Seat	1980 [78"]

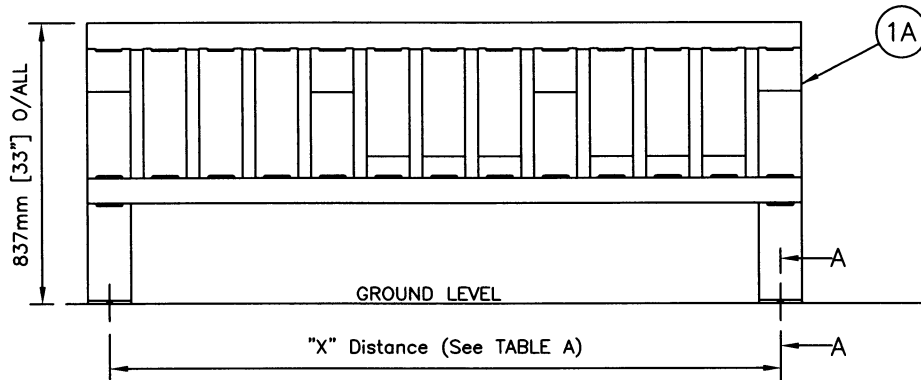
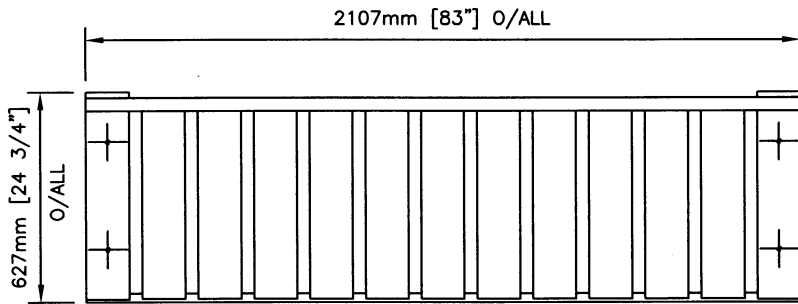
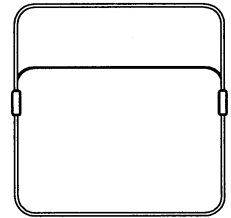
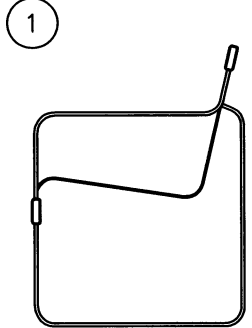


CONTEMPO 3-SEAT BENCH W/OUT BACK	12343
CONTEMPO 2-SEAT BENCH W/OUT BACK	12342
CONTEMPO 1-SEAT BENCH W/OUT BACK	12341
CONTEMPO 3-SEAT BENCH W/BACK	12333
CONTEMPO 2-SEAT BENCH W/BACK	12332
CONTEMPO 1-SEAT BENCH W/BACK	12331

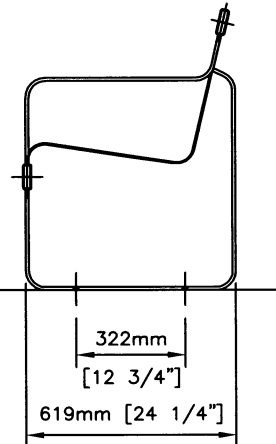
Item	Code	Description	Qty.
1A	993211P	BENCH CONTEMPO W/BACK 3 SEAT	1
1B	993212P	BENCH CONTEMPO W/BACK 2 SEAT	1
1C	993213P	BENCH CONTEMPO W/BACK 1 SEAT	1
1D	993214P	BENCH CONTEMPO 3-SEAT W/O BACK	1
1E	993215P	BENCH CONTEMPO 2-SEAT W/O BACK	1
1F	993216P	BENCH CONTEMPO 1-SEAT W/O BACK	1
2	993223	ANCHOR CONCRETE WEDGE 3/8" X 3-3/4"	4

Installation Instructions

1. Place bench (item 1) in desired location.
2. Mark holes for anchors (item 2).
3. Move bench (item 1) and drill 10mm [3/8"] holes for anchors (item 2).
4. Replace bench (item 1), install anchors (item 2) and tighten.



3-SEAT WITH BACK SHOWN



1

