

# ECOFLO 14" (35,6cm)

HIGH VELOCITY INDUSTRIAL FAN  
VENTILADOR DE ALTA VELOCIDAD INDUSTRIAL

HP-140

CON UNO DE LOS DOS MODO  
DE OPERACION, EL ECOFLO  
ES IDEAL PARA  
VENTILAR ESPACIOS



OPERANDO EN LOS DOS  
MODO DE OPERACION  
ES IDEAL PARA  
VENTILAR ESPACIOS



CON UNO DE  
LOS DOS MODO DE  
OPERACION



# ECOFLO

# ECOFLO

14" (35,6cm)

HIGH VELOCITY INDUSTRIAL FAN  
VENTILADOR DE ALTA VELOCIDAD INDUSTRIAL

14"  
35,6cm

HP-140

- Motor Tipo Motor With 3 Speed Rotary Switch
- All Metal Case And Industrial Aluminum Fan Blade
- A Durable 120 Watt Cage For Protection
- Speed 120 Speed and Carrying Handle
- 4 1/2" Power Supply Cord
- Built in Cast Wheel
- Rubber Foot Guards To Prevent Floor

- Motor Tipo Motor Con Interruptor Rotatorio De 3 Velocidades
- Carcasa De Metal Y Hojas De Ventilador De Aluminio
- Instrucciones Aplicable de la Hoja, Tipo de Montaje Para Aire Forzado
- Cables de Alimentacion y Asa de Transporte
- 4 1/2" en Largo de Alimentacion Electrica
- Cuchillas Con Cables Removibles
- Montaje de La Rueda
- Proteccion de Cables de Poder



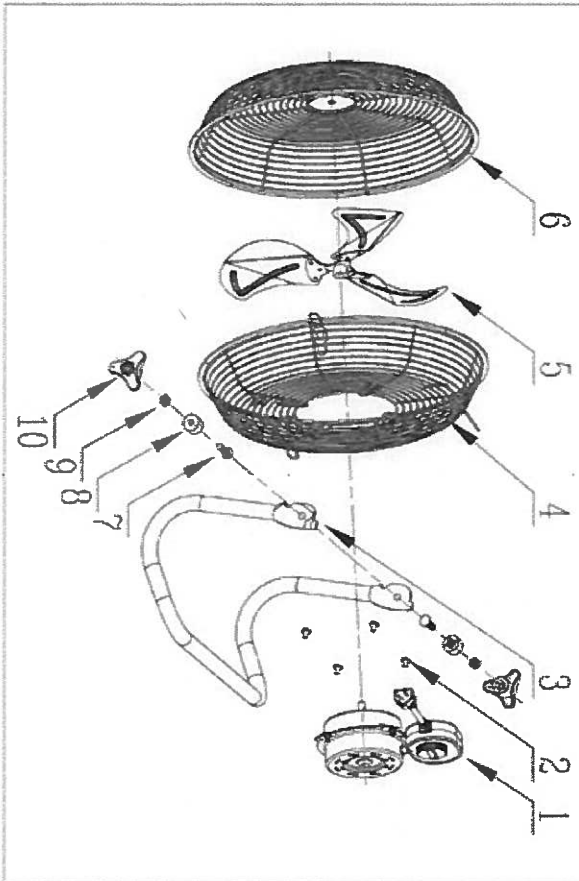
- Motor Tipo Motor With 3 Speed Rotary Switch
- All Metal Case And Industrial Aluminum Fan Blade
- A Durable 120 Watt Cage For Protection
- Speed 120 Speed and Carrying Handle
- 4 1/2" Power Supply Cord
- Built in Cast Wheel
- Rubber Foot Guards To Prevent Floor
- Motor 3 Control Potenciocon Asa de Transporte
- Hojas Con Cables De 120Watt Para la Ventilacion de Espacios Industriales
- Cables de Alimentacion y Asa de Transporte Removible Para la Montaje de la Rueda
- 4 1/2" en Largo de Alimentacion Electrica
- Cuchillas Con Cables Removibles
- Montaje de La Rueda
- Proteccion de Cables de Poder







No.	Part Name	Parte	Nome do pteco
1	MOTOR	MOTOR	MOTUR
2	SCREW	TORNILLO	VIS
3	FLOOR BASE BRACKET	SOPORTE BASE DE PISO	PARAVENTE BASE DE PLANCHER
4	REAR GRILL	(REJILLA) TRASERA	GRILLE ARRIERE
5	BLADE	ASPA	PALE
6	FRONT GRILL	(REJILLA) DELANTERA	GRILLE AVANT
7	SCREW	TORNILLO	VIS
8	WASHER	ARANDELA	RONDELE
9	NUT	TUERCA	ECROU
10	ASSIST KNOB	PERILLA DE AJUSTE	BOITON DE MAINTIEN



# ECOFLO

14" HIGH VELOCITY

FLOOR FAN

MODEL HV-14D

OWNER'S MANUAL





## READ AND SAVE THESE INSTRUCTIONS. ASSEMBLY AND OPERATING INSTRUCTIONS

### CAUTION:

Read and follow all instructions before operating fan.  
Do not use fan if any part is damaged or missing.

### WARNING:

To reduce the risk of fire or electrical shock, do not expose to water or rain.  
To reduce the risk of fire or electrical shock, do not use this fan with any solid state speed control device.  
This appliance has a 3-prong plug. To reduce the risk of electrical shock, this plug is intended to fit in an outlet only one way.

If this does not fit the outlet, contact a qualified electrician. Do not attempt to bypass this procedure.  
If the supply cord is damaged, it must be replaced by the manufacturer, its service agent or similarly qualified person in order to avoid a hazard.

### RULES FOR SAFE OPERATION:

- Never insert fingers or any other objects through the grille guard when fan is in operation.
- Disconnect the fan when moving from one location to another.
- Disconnect the fan when removing guards for cleaning.
- Be sure fan is on a stable, flat surface when in operation.
- **DO NOT** use fan in windows. Rain and moisture may create electrical hazard.

### CAUTION: Do not alter the Fan's assembly.

**WARNING:** Be sure **FRONT** and **REAR GUARD** screw are completely screwed down in locking position before operation.

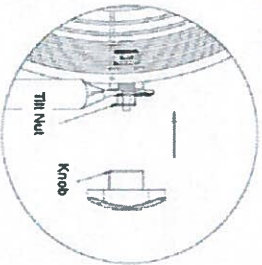
### OPERATING INSTRUCTIONS

This fan comes fully assembled. No further assembly is needed.

**TO ADJUST AIRFLOW UPWARD OR DOWNWARD:** Tilt fan head to the desired angle. The high velocity fan can be used alone or in conjunction with air conditioning. Rotating the fan head upward screws to pull air from the floor and circulate it throughout the entire room. This fan comes fully assembled. No further assembly is needed.

### How To Adjust Tilt

1. Insert knob to tilt nut.
2. Use knob to loose tilt nut by turning counter-clockwise.
3. Adjust fan head to tilt you want.
4. Tightened the tilt nut by turning clockwise.
5. Keep knob for future use.



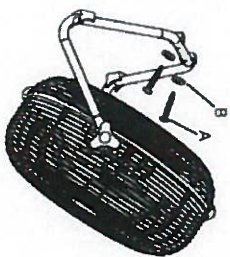
**SPEED CONTROL:** Rotate SWITCH to LOW (1), MEDIUM (2) AND HIGH (3) speeds for respective air velocity. It is normal for the motor to feel warm to touch after continuous operation. This fan features a thermal cutoff that will automatically shut off should it overheat for any reason. If this happens, immediately unplug the fan from the outlet.

### TO INSTALL AS WALL FAN (Hardware not provided)

Secure the fan through the two holes in the stand with provided screws (A) and curved washers (B) on wall.

### WARNING:

- Mount fan on a wooden wall only.
- To reduce the risk of electric shock and personal injury, ensure the location for all mounting is able to support this fan.
- Total weight of fan is 11 lbs (5 kg).
- This fan is recommended to be mounted by a qualified electrician.



### CLEANING

**WARNING:** Unplug from electrical supply source before cleaning.

- After servicing, any safety device (including grilles and blades) must be reinstalled or remounted as previously installed:
- Use soft damp cloth to clean. Then wipe with dry cloth.
  - Do not use a cleaning solution that is harmful to paints or plastics.
  - Do not bend the blades.
  - The motor bearings are permanently sealed and do not require additional lubrication.

**WARNING:** This product is not intended for use by persons (including children) with reduced physical, sensory or mental capabilities, or lack of experience and knowledge, unless they have been given supervision or instruction concerning use of the product by a person responsible for their safety. Children should be supervised to ensure that they do not play with the product.