

SHIMANO



2018
BICYCLE COMPONENTS
TRADE SALES & SUPPORT MANUAL

English(GB)

SHIMANO 2018 BICYCLE COMPONENTS

TRADE SALES & SUPPORT MANUAL



FC-M4060



SM-BB52

FC-M4060

Crankset (3x9-speed)

SM-BB52

Bottom Bracket

- 2-PIECE CRANKSET
- 48-36-26T
- Use FD-T4000-TS/DS in combination with this crankset
- HYPERDRIVE SG-X chainrings
- With chain guard, without chain guard
- Better sealing performance (SM-BB52)



FC-M4000



BB-ES300



FC-M4000

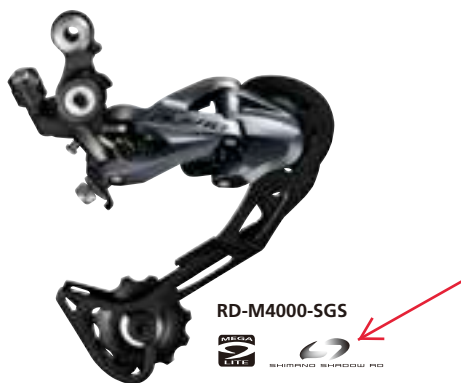
OCTALINK Crankset (3x9-speed)

- OCTALINK
- 40-30-22T
- SHIMANO logo
- With chain guard, without chain guard

BB-ES300

OCTALINK Bottom Bracket

- Stiff and lightweight for efficient power transfer
 - » Durable spline reinforced construction
 - 8-splined OCTALINK interface increases the strength and rigidity of the entire assembly
 - » 26 g lighter weight than BB-ES25
- Quick and precise assembly
 - » Good chain line control with chain stabilizer



RD-M4000-SGS



RD-M4000-SGS

SHIMANO SHADOW RD (9-speed)

- Super low profile concept with SHIMANO SHADOW RD technology for long term trouble free operation
 - » Cable adjuster on SHIMANO SHADOW RD
- B-tension spring for easy wheel installation
- Direct mount compatible



CS-HG400-9



NEW

CS-HG400-9

HG Cassette Sprocket (9-speed)

- Close gear steps between primary sprockets creates smooth, comfortable pedaling
 - » 11-36T specification addition to 11-25T, 11-28T, 11-32T, 11-34T, 12-36T specs (11-25T, 11-28T not for RD-M4000/M3000)
- HYPERGLIDE technology
- Lightweight design
- Quick and easy assembly with cassette sprocket cap
- Gear combination: 11-25T, 11-28T, 11-32T, 11-34T, 12-36T, 11-36T (New)

MTB

TREKKING
URBAN SPORT
CITY
ROAD
E-BIKE
WHEEL
TECHNOLOGY
LSG

XTR

DEORE XT

SLX

DEORE

SAINT

ZEE

DXR

SHIMANO
Series

ALIVIO

ACERA
9-speed

ALTUS
9-speed

ACERA 8s
ALTUS 8s

TOURNEY
TX

TOURNEY
TZ

DEORE XT

DEORE LX

DEORE

ALIVIO

ACERA

METREA

ALFINE

NEXUS

Hub
Dynamo

CAPREO

DURA-ACE

ULTEGRA

105

TIAGRA

SORA

CLARIS

Cyclocross

TOURNEY
A070

SHIMANO
Series

Others

E8000
E6000

Eyewear

Bag

Footwear
& Pedal

Apparel



RD-M3000-SGS

SHIMANO SHADOW RD (9-speed)

- Ride aggressively with fewer interruptions
 - » SHIMANO SHADOW RD technology
 - Cable adjuster on SHIMANO SHADOW RD
 - Wide link for durability and precise shifting
- Quick and easy wheel installation
 - » B-tension spring or direct mount rear derailleur specification for easy wheel installation and removal
- Look sharp with an dedicated MTB profile
 - » SHIMANO SHADOW RD technology
 - » Anti-rust concept for long lasting satisfaction
 - Stainless steel adjustment bolts
- Total capacity: 45T



ST-M3050

RAPIDFIRE PLUS Shift/Hydraulic Disc Brake Lever Set (3x9-speed)

- Command a clean and compact cockpit
 - » Integrated design and stylish OGD
 - 2-finger brake lever member
 - » Anti-rust concept for long lasting satisfaction
 - Stainless steel adjustment bolts
 - » Clean cable routing (shifting / hydraulic hose)
 - In-line cable exit of BL and SL by integration
- Easy and clean bleeding
 - » ONE WAY BLEEDING caliper
 - » Funnel bleeding



BR-M3050

Hydraulic Disc Brake Caliper

- Braking confidence with simple maintenance
 - » Stable brake performance
 - Same brake power as BR-M447
 - » Clean and easy bleeding
 - One Way Bleeding caliper



HB-M3050

Front Hub for Disc Brake



FH-M3050

Rear FREEHUB for Disc Brake

- Durable performance
 - » Prevent mud intrusion
 - High quality seal
 - Adjustable bearing system (Cup & Cone)
 - » CENTER LOCK system for easy set up

MTB

TREKKING
URBAN SPORT
CITY
ROAD
E-BIKE
WHEEL
TECHNOLOGY
LSG

XTR

DEORE XT

SLX

DEORE

SAINT

ZEE

DXR

SHIMANO
Series

ALIVIO

ACERA
9-speed

ALTUS
9-speed

ACERA 8s
ALTUS 8s

TOURNEY
TX

TOURNEY

TOURNEY
TZ

DEORE XT

DEORE LX

DEORE

ALIVIO

ACERA

METREA

ALFINE

NEXUS

Hub
Dynamo

CAPREO

DURA-ACE

ULTEGRA

105

TIAGRA

SORA

CLARIS

Cyclocross

TOURNEY
A070

SHIMANO
Series

Others

E8000
E6000

Eyewear

Bag

Footwear
& Pedal

Apparel



BB-UN100



BB-UN26(-K)



RD-M2000



RD-M370-SGS



RD-M370-SGS



BB-UN100

Cartridge Bottom Bracket

- **Quick and precise assembly**
 - » Better chain line stability with chain line stabilizer for D-NL spec as well as LL123 spec
- **Superior quality and reliability at a great value**
 - » Cost competitive construction while maintaining SHIMANO quality and performance
- **Square type**

BB-UN26 (-K)

Cartridge Bottom Bracket

- **Smooth rotation**
- **Square type**

NEW

RD-M2000

SHIMANO SHADOW RD (9-speed)

- **Super low-profile concept with SHADOW mechanism**
 - SHIMANO SHADOW RD
- **Wider linkage ensures durability and more precise shifting**
- **Quick and easy wheel installation**
 - » B tension spring for quick and easy wheel installation and removal
 - MEGA 9 LITE
- **Easy adjustment and maintenance**
 - » Cable adjuster on SHIMANO SHADOW RD
- **High-level surface treatment**
- **Total capacity: 45T (RD-M2000-SGS)**

RD-M370-SGS

Rear Derailleur (9-speed)

- **Possible to select appropriate gear combination for stress free long riding**
- **MEGA 9 DRIVE TRAIN**
- **Smooth / light action shifting performance**
- **Low profile concept with Double Servo-panta technology**
- **Wide Link for durability and precise shifting**
- **Total capacity: 45T**
- **Color options: Black, Silver**

MTB

TREKKING
URBAN SPORT
CITY
ROAD
E-BIKE
WHEEL
TECHNOLOGY
LSG

XTR

DEORE XT

SLX

DEORE

SAINT

ZEE

DXR

SHIMANO
Series

ALIVIO

ACERA
9-speed

ALTUS
9-speed

ACERA 8s
ALTUS 8s

TOURNEY
TX

TOURNEY

TOURNEY
TZ

DEORE XT

DEORE LX

DEORE

ALIVIO

ACERA

METREA

ALFINE

NEXUS

Hub
Dynamo

CAPREO

DURA-ACE

ULTEGRA

105

TIAGRA

SORA

CLARIS

Cyclocross

TOURNEY
A070

SHIMANO
Series

Others

E8000
E6000

Eyewear

Bag

Footwear
& Pedal

Apparel



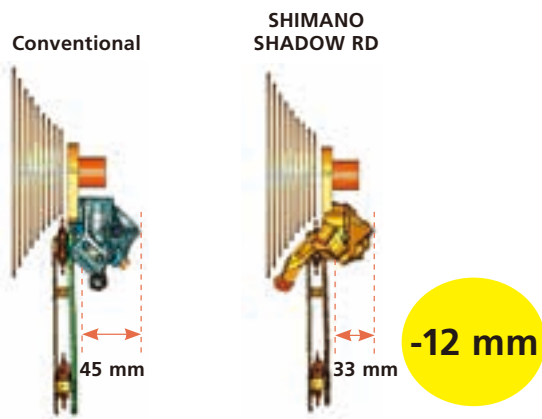
SHIMANO SHADOW RD

The mechanism rear derailleur, SHIMANO SHADOW RD, is intended for more aggressive riding. Its super low profile design carries many benefits. Because of its low profile and single tension construction, the derailleur does not hit the chain stay in rough riding conditions. The result is smooth and silent performance.



RD-T6000

Low profile design (Top gear position)



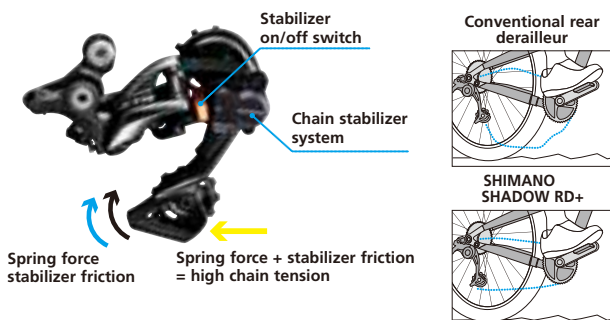
SHIMANO SHADOW RD+

Less distraction quiet drive train

Rear derailleur stabilizer reduces chain slap

Simple solution for chain drop

Lighter and more efficient than roller type chain device



Adjustable chain stabilizer
Equipped: XTR/SAINT/DEORE XT/SLX/ZEE/DEORE

SHIMANO SYNCHRONIZED SHIFT

Two derailleurs, One Shifter

Front derailleur reads the rear derailleur's position and automatically executes front shifts.

Improves efficiency by minimizing time spent on smaller chainwheels.

Programmable synchronized shifting map

The rider chooses when front shifts occur and also chooses rear derailleur command.

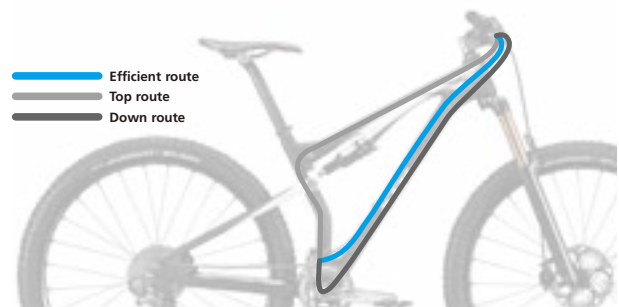


SW-M9050

SIDE SWING Front Derailleur

- Horizontal movement follows the chain direction
- Smooth & efficient front shifting effort

Improved Routing Efficiency



Cable Route Efficiency

