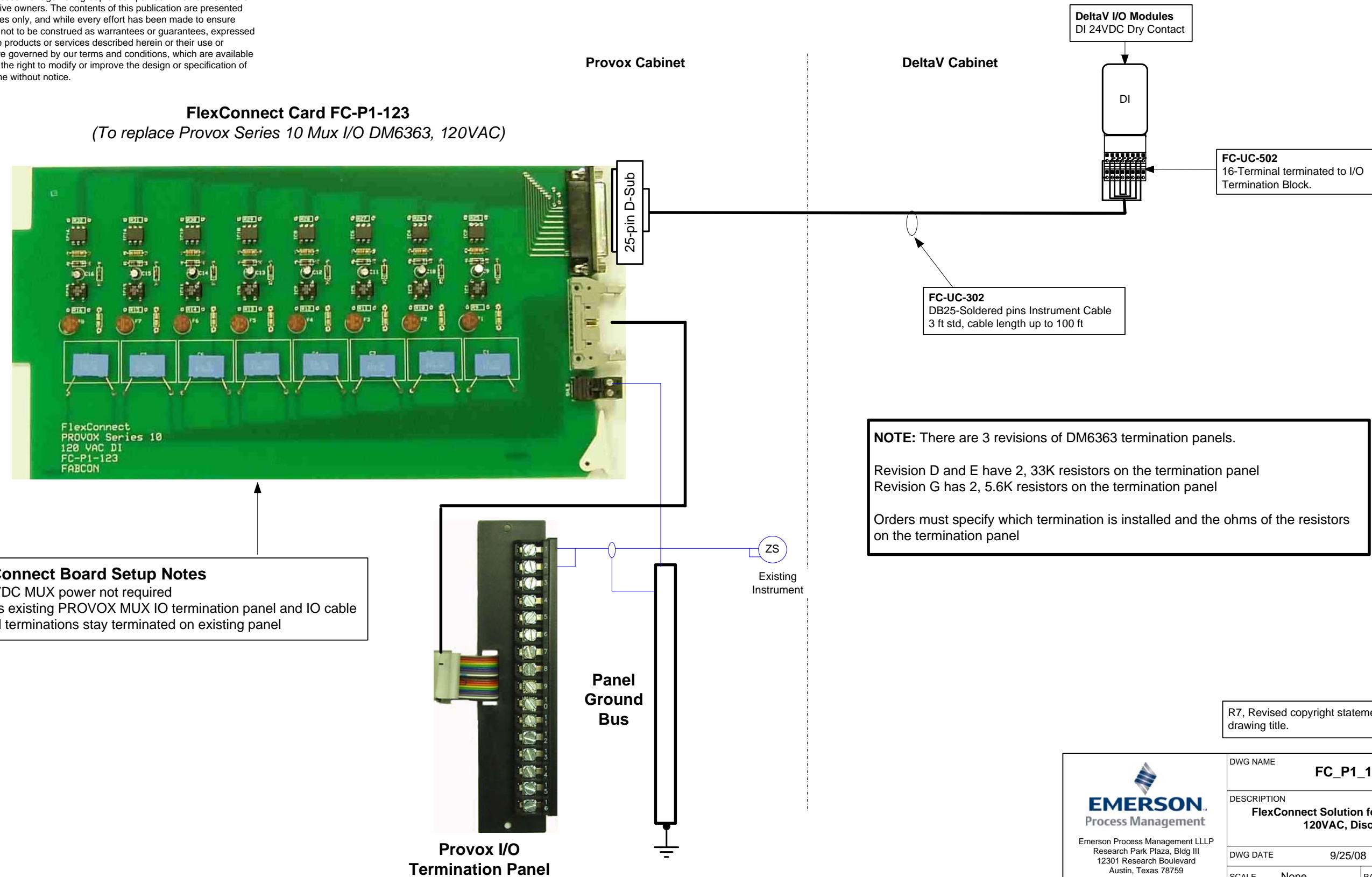




© Emerson Process Management LLLP, 2002, 2008. All rights reserved.

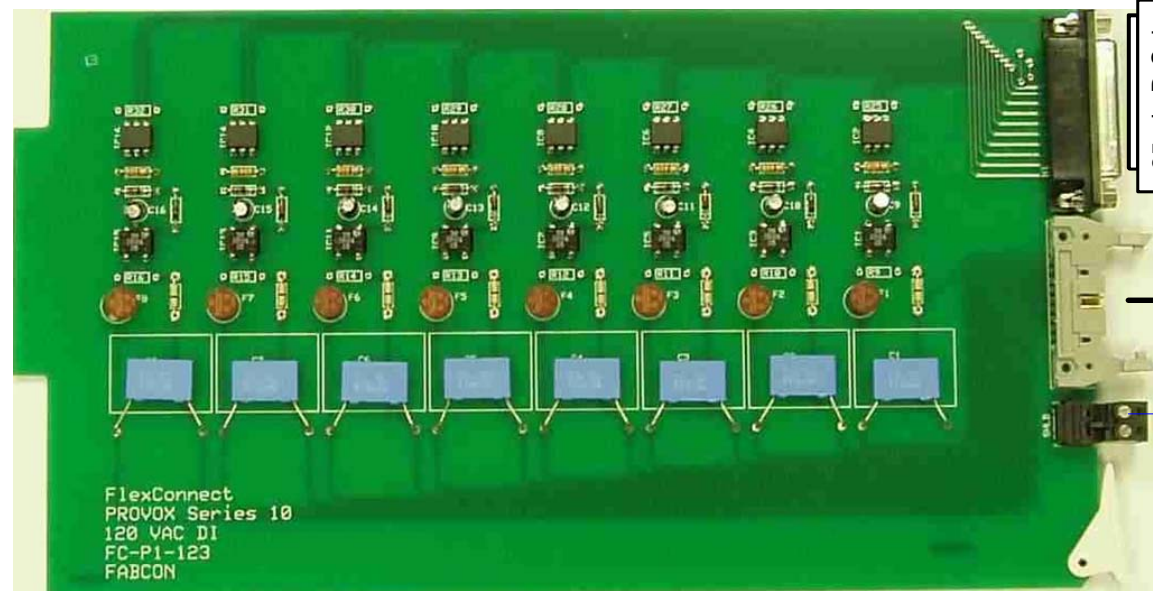
FlexConnect, the FlexConnect design, DeltaV and the DeltaV design, are marks of one of the Emerson Process Management group of companies. All other marks are property of their respective owners. The contents of this publication are presented for informational purposes only, and while every effort has been made to ensure their accuracy, they are not to be construed as warranties or guarantees, expressed or implied, regarding the products or services described herein or their use or applicability. All sales are governed by our terms and conditions, which are available on request. We reserve the right to modify or improve the design or specification of such products at any time without notice.

FlexConnect Solution for PROVOX[®] DM6363 120VAC, Discrete Input Installation Layout Drawing



FlexConnect Card FC-P1-123

(To replace Provox Series 10 Mux I/O DM6363, 120VAC)



FlexConnect Board Setup Notes

- 1) 24 VDC MUX power not required
 - 2) Uses existing PROVOX MUX IO termination panel and IO cable
- All field terminations stay terminated on existing panel

NOTE: There are 3 revisions of DM6363 termination panels.

Revision D and E have 2, 33K resistors on the termination panel
Revision G has 2, 5.6K resistors on the termination panel

Orders must specify which termination is installed and the ohms of the resistors on the termination panel

R7, Revised copyright statement and marks in drawing title.

 Emerson Process Management LLLP Research Park Plaza, Bldg III 12301 Research Boulevard Austin, Texas 78759	DWG NAME		FC_P1_123_DI	
	DESCRIPTION			FlexConnect Solution for PROVOX DM6363 120VAC, Discrete Input
	DWG DATE	9/25/08	REV	7
	SCALE	None	PAGE	1 of 1