

United States Patent and Trademark Office
Response to Office Action (Official Letter)

U.S. Application Serial no. 88818190

MARK: LOCK BOX

Applicant: Brian Sykes

Disclaimer. No claim is made to the exclusive right to use "BOX" apart from the mark as shown.

Status The Official Letter issued July 8, 2021 re-issued a suspension, and stated that the Section 2(e)(1) refusal in the Office Action dated May 21, 2020, "will be made final once this application is removed from suspension, unless a new issue arises." Applicant timely responded to that May 2020 Office Action, which had requested information, per TMEP §814. The Official Letter of July 8, 2021 does not mention Applicant's response to the Office Action or the information that Applicant provided.

Response

Applicant's serial number 88818190 is suspended "pending the outcome" of U.S. Application Serial No. 88803807 (the "Memories" application). It is noted that "Memories" application No. 88803807 is suspended pending the outcome of this Applicant's serial number 88818190. See, attached suspension letter dated July 12, 2021 in U.S. Application Serial No. 88803807.

In the Section 2(e)(1) refusal, from the May 2020 Office Action to which Applicant responded, the examiner concluded that "the applied-for mark merely describes the applicant's goods".

The authoritative statement of the law is that a mark "is merely descriptive if it **immediately conveys** knowledge of a quality, feature, function, or characteristic of the goods or services with which it is used." *In re Chamber of Commerce of the U.S.*, 675 F.3d 1297, 102 USPQ2d 1217, 1219 (Fed. Cir. 2012) (*quoting In re Bayer Aktiengesellschaft*, 488 F.3d 960, 82 USPQ2d 1828, 1831 (Fed. Cir. 2007)) (emphasis added). The term lockbox "immediately conveys" a box that can be secured with a padlock or a combination lock. It does not suggest or describe a box that has no padlock or combination lock that can make it secure and inaccessible.

Accompanying the May 2020 Office Action was a web page dictionary definition for "lockbox" that recites the requirement that the item have a lock or a way for it to be locked. On that web page, the "lockbox" definition links to the word "locks" and to its definition "to make secure or inaccessible by" use of a lock, which is defined as a device "operated by a key or a combination."

The food storage containers identified in Applicant's serial number 88818190 have no mechanical or electronic lock, no key, no combination or keypad, no tumbler or

rotating lock cylinders, no deadbolt, and no shackle or hasp to receive a lock. The box in the specimen has no lock.

The compressible seal feature on the specimen product, and as explained in the response to the May 2020 Office action, seals between the lid and the box. That seal is not a lock, and it does not "secure" or prevent access into the container, and it does not keep anyone from opening the container. As applied to these food storage containers the work lock is not descriptive of a keyed or combination lock. Hereinabove, the Applicant has disclaimed the work "box" apart from its use in the mark.

In the May 2020 Office Action, the examiner noted correctly that whether "consumers could guess what the product [or service] is from consideration of the mark alone is not the test." *In re Am. Greetings Corp.*, 226 USPQ 365, 366 (TTAB 1985). Again, that Office Action placed reliance on the dictionary definition, which requires that the item include a securable lock. The requirement of a keyed or combination lock cannot be excised from the mark as a whole. *DuoProSS Meditech Corp. v. Inviro Med. Devices, Ltd.*, 695 F.3d 1247, 1252 (Fed. Cir. 2012) ("Because a mark must be considered as a whole, the Board may not 'dissect' the mark into isolated elements."). Hereinabove, the Applicant has disclaimed "box."

Evidence about the impression and "the possible significance that the term would have to the average purchaser of the goods" can be obtained "from any competent source," *In re Bayer*, 82 USPQ2d at 1831, quoting *In re Bed & Breakfast Registry*, 791 F.2d 157, 229 USPQ 818, 819 (Fed. Cir. 1986), to include "listings in dictionaries, trade journals, newspapers[,] and other publications." *Real Foods Pty Ltd. v. Frito-Lay N. Am., Inc.*, 128 USPQ2d 1370, 1374 (Fed. Cir. 2018) (quoting *Royal Crown Co. v. Coca-Cola Co.*, 892 F.3d 1358, 127 USPQ2d 1041, 1046 (Fed. Cir. 2018)), and competent "sources may include [w]ebsites, publications and use 'in labels, packages, or in advertising material directed to the goods.'" *In re N.C. Lottery*, 123 USPQ2d 1707, 1710 (Fed. Cir. 2017) (quoting *In re Abcor Dev.*, 200 USPQ 215, 218 (CCPA 1978)). Those sources, discussed below, all recite the requirement that a lockbox have a keyed or combination lock, or perhaps an electronic lock.

Standard dictionaries, today, define a lockbox as not just a box with a lid, but one that has a lock or that can be locked to secure and make the contents inaccessible to anyone other than the one with the key or the combination for the lock. That common and accepted definition does not describe a food storage container, having no lock, but which is an openable container that uses a compressible sealing feature to keep the food or contents inside it fresh.

Lockbox is a fairly new addition to dictionaries. The Webster's Seventh New Collegiate Dictionary, originally published in 1963, does not include the word lockbox. (See attached frontpage and page 496). However, by the time of the Webster's New Collegiate Dictionary, originally published in 1980, lockbox had been added, and there it is defined as "a box (as a post-office box, strongbox, or safety-deposit box) that locks. (See attached frontpage and page 669). On that same page, the verb "locks" is defined. The common and accepted meaning of lockbox, and one common to the purchasing public, according to the standard dictionaries requires that it "locks," that is, the box locks like a "post-office box, strongbox, or safety-deposit box," each of which

lock using a key or a combination lock. That dictionary definition does not indicate or imply that the word “merely describes” a food storage container that has no key lock or combination lock. An expanded definition of lockbox found on Wikipedia, begins with the requirement that it is a box “with a built-in lock,” then lists examples consistent with the standard dictionary, which are indicated to be “lockable.” (See, attached page accessed from Wikipedia). Wikipedia also has a definition for the Real-estate lock box (see attached), which is “secured either with a manual key” or its equivalent.

Next, advertising material directed to lockboxes, that is, materials that would be known to the relevant purchasing public indicate that a lockbox is a lockable, secure container that the owner can lock to prevent access by others, and that it locks using a key lock or a combination lock.

Major U.S. retailers that obtain substantial business from consumers that use their online ordering services have great knowledge and experience of what products their customers expect to see when they enter a search request into these retailers’ online catalogs. The results of such a search of retailer sites indicates that a lockable, securable box is that the word lockbox “immediately conveys” to the average consumer. *In re Bayer, supra*.

A search for “lockbox” on the Walmart.com website yields listings for a variety of secure boxes, all having a combination lock or a padlock. (See attached printout of web search results from <https://www.walmart.com/search?q=lock+box&typeahead=lock+box>). Every one of the listings from the search includes a secure locking feature on the box. No results are food storage containers or container that have no lock on them or no way for the container to be securely locked. Consistent with that, a search for a “lockbox” on the Target.com website produces many listings for lockable boxes that only open using a key or a combination lock. (See attached printout of web search results from <https://www.target.com/s?searchTerm=lock+box>). These retailers know their products and know their customers’ product preferences, and these search results from those retailers’ websites confirm that lockbox is NOT descriptive of a food storage container that cannot be locked using a key lock or a combination lock. Commercial information from major retailers in the U.S. that trade in the relevant products is a “competent source” of evidence, *In re Bayer, supra*, that shows that the consuming public thinks a lockbox only as a securable, lockable box, and that to them, a lockbox not a food storage container and not a container that has no keyed or combination lock. These search results are evidence that the mark lockbox “immediately conveys” to the average consumer, *In re Bayer, supra*, a securable, limited access box that has a lock or an equivalent mechanism. Applicant’s product has no keyed or combination lock.

Retail listings for lockbox include the lockable containers such as for valuables, as well as the commonly-used, combination lockbox device that realtors or property managers place on door knobs to securely hold the keys to a property. While “lockbox” may have an understood meaning with respect to goods in other fields (e.g., lockable, secure containers), the Examining Attorney did not provide evidence that Applicant’s mark “Lock Box” has any descriptive meaning applicable to household and food storage containers with no key lock or combination lock on them.

Usage of lockbox conforms with the accepted definition of a box that can be made secure or inaccessible by means of locks that require a key or combination. Typical usages of lockbox describe a locked box. A “car salesman was fined \$10 for failing to turn in his master key to the individual lock boxes on each car at the end of the day. *Stevens v. Oval Off., LLC*, 2016 WL 7480384, at *3 (E.D. Wis. Dec. 29, 2016). “Allegedly, however, before the eviction was completed, someone acting on behalf of the Defendants placed a lock box on the door, preventing her from entering the residence.” *Snell v. Emc Mortg. Corp.*, 2009 WL 3646605, at *1 (E.D. Mich. Oct. 30, 2009), and *Jackson v. Calderon*, 1994 WL 661061, at *2 (N.D. Cal. Nov. 14, 1994)(“one of these keys opened the padlock on the lock box”). “Although certain other employees possessed keys to the lock box, Defendant determined that Plaintiff was at fault for the missing funds.” *Cleveland v. S. Disposal Waste Connections*, 2011 WL 13186546, at *3 (W.D. Tenn. Jan. 21, 2011), *aff’d*, 491 F. App’x 698 (6th Cir. 2012); “A metal style lock box was also under the bed and inside the locked box were several boxes of ammunition.” *Shell v. Ferry Cty.*, 2017 WL 1550232, at *3 (E.D. Wash. Apr. 28, 2017); “No file cabinet, locker, cabinet, or lock box shall be secured on Department property unless a copy of the key or combination is maintained in a locked key safe or in the office of the Sheriff.” *Huff v. Harness*, 2018 WL 2434329, at *2 (E.D. Ark. May 30, 2018). In every instance of these usages of lockbox, the meaning is limited to a box that has a pad lock, or a combination lock.

Another competent source of evidence of the accepted meaning of lockbox are published, issued patents that bear the title Lock Box. See, generally, WIPO Standard ST-15 (copy attached), “Tittles to inventions convey ...a first impression of the main content of the invention,” and 37 CFR 1.72 (a) The title of the invention ... must be as short and specific as possible.” A search of patents issued by the U.S. Patent and Trademark Office, which are titled “Lock Box” or “Lockbox” yielded only boxes that are lockable, typically with a padlock or a combination lock. See, copies attached hereto of Lock Box titled U.S. Patents nos. USD-0265867, USP-7360380B, USD-0411949, USD-063277, USD-0693535, USD-0772522, USD-0899219, and USP-107944092B.

CONCLUSION.

With the disclaimer submitted herewith, the evidence attached hereto and the arguments that confirm a lock box is a “lockable” box “with a built-in lock,” so as to make the box securable or inaccessible to anyone other than the person with the key or combination to the lock on the box, deserve full consideration because the application is in form for allowance.

Respectfully submitted,

Charles L. Thomason
Attorney for Applicant.

LIST OF EVIDENCE

Merriam-Webster's Seventh New Collegiate Dictionary, copyright 1963, frontpage and page 496.

Merriam-Webster's New Collegiate Dictionary, copyright 1980, frontpage and page 669.

Pages accessed from Wikipedia defining lockbox and Real-estate lockbox.

Search results for "lockbox" on the Walmart.com website at
<https://www.walmart.com/search?q=lock+box&typeahead=lock+box>

Search results for "lockbox" on the Target.com website at
<https://www.target.com/s?searchTerm=lock+box>

Title pages for Lock Box titled U.S. Patents nos. USD-0265867, USP-7360380B, USD-0411949, USD-063277, USD-0693535, USD-0772522, USD-0899219, and USP-107944092B.

To: Memories Lockbox, LLC (cthompson@fredlaw.com)
Subject: U.S. Trademark Application Serial No. 88803807 - MEMORIES LOCKBOX - N/A
Sent: July 12, 2021 09:02:11 PM
Sent As: ecom107@uspto.gov
Attachments:

United States Patent and Trademark Office (USPTO)
Office Action (Official Letter) About Applicant's Trademark Application

U.S. Application Serial No. 88803807

Mark: MEMORIES LOCKBOX

Correspondence Address:

Courtney Thompson
FREDRIKSON & BYRON
200 SOUTH 6TH STREET
MINNEAPOLIS MN 55402

Applicant: Memories Lockbox, LLC

Reference/Docket No. N/A

Correspondence Email Address:

cthompson@fredlaw.com

SUSPENSION NOTICE
No Response Required

Issue date: **July 12, 2021**

The application is suspended for the reason(s) specified below. *See* 37 C.F.R. §2.67; TMEP §§716 *et seq.*

The pending application(s) below has an earlier filing date or effective filing date than applicant's application. If the mark in the application(s) below registers, the USPTO may refuse registration of applicant's mark under Section 2(d) because of a likelihood of confusion with the registered mark(s). 15 U.S.C. §1052(d); *see* 37 C.F.R. §2.83; TMEP §1208.02(c). Action on this application is suspended until the prior-filed application(s) below either registers or abandons. 37 C.F.R. §2.83(c). Information relevant to the application(s) below was sent previously.

- U.S. Application Serial No(s). 88818190

Refusal(s) and/or requirement(s) resolved and maintained and continued. The following requirement is satisfied:

- Disclaimer Statement Provided

See TMEP §713.02.

The following refusal(s) and/or requirement(s) is/are maintained and continued:

- Specimen Refusal – URL and Access Date Omitted

See id. This refusal will be made final once this application is removed from suspension, unless a new issue arises. *See* TMEP §716.01.

Suspension process. The USPTO will periodically check this application to determine if it should remain suspended. *See* TMEP §716.04. As

needed, the trademark examining attorney will issue a letter to applicant to inquire about the status of the reason for the suspension. TMEP §716.05.

No response required. Applicant may [file a response](#), but is not required to do so.

/Andrew T. Clark/
Trademark Examining Attorney
Law Office 107
600 Dulany Ave.
Alexandria, VA 22314
(571) 270-7304
andrew.clark@uspto.gov

To: Memories Lockbox, LLC (cthompson@fredlaw.com)
Subject: U.S. Trademark Application Serial No. 88803807 - MEMORIES LOCKBOX - N/A
Sent: July 12, 2021 09:02:13 PM
Sent As: ecom107@uspto.gov
Attachments:

United States Patent and Trademark Office (USPTO)

USPTO OFFICIAL NOTICE_

Office Action (Official Letter) has issued
on **July 12, 2021** for

U.S. Trademark Application Serial No. 88803807

Your trademark application has been reviewed by a trademark examining attorney. As part of that review, the assigned attorney has issued an official letter. Please follow the steps below.

- (1) [Read the official letter](#). No response is necessary.
- (2) **Direct questions** about the contents of the Office action to the assigned attorney below.

/Andrew T. Clark/
Trademark Examining Attorney
Law Office 107
600 Dulany Ave.
Alexandria, VA 22314
(571) 270-7304
andrew.clark@uspto.gov

Direct questions about navigating USPTO electronic forms, the USPTO [website](#), the application process, the status of your application, and/or whether there are outstanding deadlines or documents related to your file to the [Trademark Assistance Center \(TAC\)](#).

GENERAL GUIDANCE

- [Check the status](#) of your application periodically in the [Trademark Status & Document Retrieval \(TSDR\)](#) database to avoid missing critical deadlines.
- [Update your correspondence email address](#), if needed, to ensure you receive important USPTO notices about your application.
- [Beware of misleading notices sent by private companies about your application](#). Private companies not associated with the USPTO use public information available in trademark registrations to mail and email trademark-related offers and notices – most of which require fees. All **official USPTO correspondence** will only be **emailed from the domain “@uspto.gov.”**

COPYRIGHT © 1963
BY
G. & C. MERRIAM CO.

PREVIOUS EDITIONS
COPYRIGHT © 1916, 1925, 1931, 1936, 1941, 1949, 1951, 1953, 1956, 1958, 1959, 1960, 1961
BY G. & C. MERRIAM CO.

PHILIPPINES COPYRIGHT 1963
BY G. & C. MERRIAM CO.

PREVIOUS EDITIONS
PHILIPPINES COPYRIGHT 1950, 1951, 1953, 1956, 1958, 1959, 1960, 1961
BY G. & C. MERRIAM CO.
COPYRIGHT 1926, 1941, IN PHILIPPINE ISLANDS
BY G. & C. MERRIAM CO.

ALL RIGHTS RESERVED UNDER INTERNATIONAL AND PAN-AMERICAN COPYRIGHT CONVENTIONS
BY G. & C. MERRIAM CO.

BASED ON
WEBSTER'S THIRD NEW INTERNATIONAL DICTIONARY
COPYRIGHT © 1961
BY G. & C. MERRIAM CO.

All rights reserved

MADE IN THE U.S.A.

R. R. DONNELLEY & SONS COMPANY, THE LAKESIDE PRESS, CHICAGO, ILL., U.S.A.
COMPOSITORS

H. O. HOUGHTON AND COMPANY, THE RIVERSIDE PRESS, CAMBRIDGE, MASS., U.S.A.
PRINTERS AND BINDERS

Preface

Front Matter

Explanation

Guide to

Abbreviations

Dictionary

Back Matter

Vocabulary

Arbitrary

Proof of

Biography

Pronunciation

Forms of

Pronunciation

Vocabulary

Spelling

Plurals

Punctuation

Compound

Capitalization

Italicization

Colleges and

Index

OHG *leid* loathsome, OIr *luss* aversion] : unwilling to do something contrary to one's likes, sympathies, or ways of thinking : RE-
 LUCTANT syn see DISINCLINED — **loath-ness** *n*
loathe \lō-th\ *v* [ME *lothen*, fr. OE *lāthan*, fr. *lāth*] : to dislike
 greatly : DETEST syn see HATE
loath-ing \lō-th-ing\ *n* : extreme disgust : DETESTATION
loath-ly \lō-th-lē, -lōth-ə\ *adj* : LOATHSOME, REPULSIVE
loath-some \lō-th-səm, -lōth-ə\ *adj* : UNWILLINGLY
loath-some-ness *n* : exciting loathing — **loath-some-ly** *adv* —
loath-some-ness *n*
loathy \lō-thē, -thē\ *adj* : LOATHSOME
lob \lɒb\ *n* [prob. of LG origin; akin to LG *lubbe* coarse person]
dialect Brit : a dull heavy person : LOU
lob *v* **lobbed**; **lob-bing** [*lob* (a loosely hanging object)] *vt* 1 *ar-*
chaic : to let hang heavily : DROOP 2 : to throw, hit, or propel
 slowly in or as if in a high arc ~ *vi* 1 : to move slowly and heavily
 2 : to hit a tennis ball easily in a high arc
lob *n* 1 : a cricket ball bowled or thrown underhand usu. slowly
 2 : a tennis ball hit slowly in a high arc
lob- or **lobb-** *comb form* [*lob*] : lobe (*lobar*) <*lobotomy*>
lob-bar \lɒb-ber, -bär\ *adj* : of or relating to a lobe
lob-bate \lɒb-bāt\ also **lob-bat-ed** \-bāt-ed\ *adj* [NL *lobatus*, fr. LL
lobus] 1 : having lobes 2 : resembling a lobe — **lob-bate-ly** *adv*
lob-ba-tion \lɒb-bā-shən\ *n* 1 : the quality or state of being lobed
 b : the formation of lobes
 c : lobules 2 a : LOBBE
 b : LOBULE
lob-by \lɒb-ē\ *n* [ML
lobium gallery, of Gmc
 origin; akin to OHG
loba porch] 1 : a corridor
 or hall connected with a
 larger room or series of
 rooms and used as a pas-
 sageway or waiting room:
 as a : an anteroom of a legislative chamber; esp : one of two
 anterooms of a British parliamentary chamber to which members go
 to vote during a division b : a large hall serving as a foyer (as of a
 hotel or theater) 2 : a group of persons engaged in lobbying esp. as
 representatives of a particular interest group
lobby *vi* : to conduct activities aimed at influencing public officials
 and esp. members of a legislative body on legislation and other
 policy decisions ~ *vt* : to promote (as a project) or secure the
 passage of (as legislation) by influencing public officials — **lob-
 by-er** *n* — **lob-by-ism** \-ē-iz-əm\ *n* — **lob-by-ist** \-ē-ist\ *n*
lobe \lɒb\ *n* [MF, fr. LL *lobus*, fr. Gk *lobos* — more at SLEEP] : a
 curved or rounded projection or division; *specif* : a usu. somewhat
 rounded projection or division of a bodily organ or part
lobec-tomy \lɒb-ek-tə-mē\ *n* [SV] : surgical removal of a lobe
 of an organ (as a lung) or gland
lobed \lɒbd\ *adj* : LOBBATE 1
lobelia \lɒb-ē-lē-ya, -bē-lē-ə\ *n* [NL, genus name, fr. Matthias de
 Lobel 1616 Flem botanist] : any of a genus (*Lobelia*) of the family
 Lobeliaceae, the lobelia family) of widely distributed and often
 cultivated herbaceous plants
lob-ly \lɒb-lē\ *adj* [prob. fr. E dial. *lob* (to boil) + obs. E dial.
lobly broth] 1 *dialect* a : a thick gruel b : a miry mess 2 *dialect*
 : LOU
lob \lɒb\ *n* [Sp, wolf, fr. L *lupus*, present at WOLF] : a wolf
 — called also *timber wolf*
lob-ot-o-my \lɒb-ō-tə-mē\ *n* : a surgical operation that divides
 into the frontal lobes) to sever
 mental disorders and tensions
lob-scouse \lɒb-skəʊs\ *n* [origin unknown] : a sailor's dish
 prepared by stewing or baking bits of meat with vegetables and
 hardtack
lob-ster \lɒb-stər\ *n* [ME, fr. OE *loppestre*, fr.
loppe spider; akin to ME *slöberen* to slobber]
 1 a : a large marine decapod crustacean (family
 Homaridae) commonly used for food; esp : one
 of a genus (*Homarus*) including the American
 lobster (*H. americanus*) and the European lobster
 (*H. vulgaris*) of the Atlantic coasts and the very
 small Cape lobster (*H. capensis*) of southern
 Africa b : SPINY LOBSTER 2 : a stupid or awk-
 ward person : LUMMOX
lobster New-burg or **lobster New-burgh**
 \lɒb-stər-n(y)ū-berg\ *n* [origin unknown]
 : cooked lobster meat heated usu. in a chafing
 dish in a sauce of cream, egg yolk, and sherry
lobster pot *n* : an oblong cage with slat sides and a
 funnel-shaped net used as a trap for catching
 lobsters
lobster ther-mi-dor \lɒb-stər-thər-mə-dó(r)\ *n* : a mixture of
 cooked lobster meat, mushrooms, cream, egg yolks, and sherry
 stuffed into a lobster shell and browned
lob-u-lar \lɒb-yə-lər\ *adj* : of, relating to, or resembling a lobule —
lob-u-lar-ly *adv*
lob-u-late \lɒb-yə-lāt\ also **lob-u-lat-ed** \-lāt-ed\ *adj* : made up
 of or provided with lobules — **lob-u-lat-ion** \lɒb-yə-lā-shən\ *n*
lob-u-le \lɒb-(y)ū(ə)\ *n* : a small lobe; also : a subdivision of a
 lobe — **lob-u-lose** \lɒb-yə-lōs\ *adj*
lo-cal \lɒ-kəl\ *adj* [ME *locale*, fr. MF *local*, fr. LL *localis*, fr. L
locus place — more at STALL] 1 : characterized by or relating to
 position in space 2 : characterized by, relating to, or occupying a
 particular place 3 : not broad or general 4 a : primarily serving
 the needs of a particular limited district b of a public conveyance
 : making stops at the stops in its run 5 : involving or affecting only a
 restricted part of the organism : TOPICAL — **lo-cal-ly** \-kə-lē\ *adv*
local *n* : a local person or thing; as a : a local train, elevator, or
 other public conveyance b : a local or particular branch, lodge, or
 chapter of an organization
local color *n* : color in writing derived from the presentation of the
 features and peculiarities of a particular locality and its inhabitants
lo-cal-ity \lɒ-kəl-ē-tē\ *n* [modif. of F *local*, fr. *local*, *adj.*] 1 : a place or
 locality esp. when viewed in relation to a particular event or char-
 acteristic 2 : SITE, SCENE
local government *n* : the government of a specific local area con-



lobation: 1 lobed, 2 cleft, 3 parted, 4 divided



American lobster

stituting a subdivision of a nation, state, or other major political
 unit; also : the body of persons constituting such a government
lo-cal-ism \lɒ-kəl-iz-əm\ *n* 1 : affection or partiality for a par-
 ticular place : SECTIONALISM 2 : a local idiom or peculiarity of
 speaking or acting
lo-cal-i-ty \lɒ-kəl-ē-tē\ *n* 1 : the fact or condition of having a lo-
 cation in space or time 2 : a particular spot, situation, or location
lo-cal-ization \lɒ-kəl-ī-zā-shən\ *n* : an act of localizing : the
 state of being localized
lo-cal-ize \lɒ-kəl-īz\ *vt* : to make local ~ *vi* : to collect in a
 specific or limited area
local option *n* : the power granted by a legislature to a political
 subdivision to determine by popular vote the local applicability of
 a law on a controversial issue
lo-cate \lɒ-kāt, lɒ-ē\ *vb* [L *locatus*, pp. of *locare* to place, fr.
locus] *vt* : to establish oneself or one's business : SETTLE ~ *vi* 1 :
 to determine or indicate the place, site, or limits of 2 : to set or estab-
 lish in a particular spot : STATION 3 : to determine the location of
 4 : to find or fix the place of in a sequence — **lo-cat-er** *n*
lo-ca-tion \lɒ-kā-shən\ *n* 1 : the act or process of locating 2 a :
 a position or site occupied or available for occupancy or
 marked by some distinguishing feature : SITUATION b : a tract of
 land designated for a purpose c : a place outside a motion-picture
 studio where a picture or part of it is filmed — **lo-ca-tion-al**
 \-shənəl, -shən-ē\ *adj* — **lo-ca-tion-al-ly** \-ē\ *adv*
lo-ca-tive \lɒk-ət-iv\ *n* [L *locus* + E *-ative* (as in *vocative*)] : the
 locative case or a word in that case
locative *adj* : of or being a grammatical case that denotes place or
 the place where or wherein
lo-ca-tor \lɒ-kāt-ər, lɒ-ē\ *n* : one that locates; *specif* : one that
 locates land or a mining claim
loch \lɒk, lɒk\ *n* [ME (Sc) *loch*, fr. ScGael *loch*; akin to L *lacus*
 lake] 1 *Scot* : LAKE 2 *Scot* : a bay or arm of the sea esp. when
 nearly landlocked
loch *pl* of LOCUS
lock \lɒk\ *n* [ME *lok*, fr. OE *loc*; akin to OHG *loc* lock, L *luctari*
 to struggle, *luxus* dislocated] 1 a : a tuft, tress, or ringlet of hair
 b : the hair of the head 2 : a cohering bunch (as of wool, cotton,
 flax) : TUFT
lock *n* [ME *lok*, fr. OE *loc*; akin to OHG *loh* enclosure, OE *locc*
 lock of hair] 1 a : a fastening (as for a door) operated by a key or a
 combination b : the mechanism for exploding the charge or car-
 tridge of a firearm 2 a : an enclosure (as in a canal) with gates at
 each end used in raising or lowering boats as they pass from level to
 level b : AIR LOCK 3 a : a locking or fastening together b : an
 intricate mass of objects impeding each other (as in a traffic jam)
 c : a hold in wrestling secured on one part of the body
lock w 1 a : to fasten the lock of b : to make fast with or as if with
 a lock (~ up the house) 2 a : to make secure or inaccessible by
 means of locks : CONFINE b : to hold fast or inactive : FIX 3 a : to
 make fast by the interlacing or interlocking of parts b : to hold in a
 letter's embrace; also : to grapple in combat c : to fasten (imposed
 tightening the quoin); also : to attach (a curved plate) to the plate
 cylinder of a rotary press 4 : to invest (capital) without assurance
 of easy convertibility into money 5 a : to move or permit to pass
 by raising or lowering in a lock b : to provide with locks c :
 to divide off by a lock ~ *vi* 1 : to become locked 2 : INTERLACE,
 INTERLOCK 3 a : to build locks to facilitate navigation b : to go or
 pass by means of a lock (as in a canal)
lock-age \lɒk-ij\ *n* 1 : an act or the process of passing a ship
 through a lock 2 : a system of locks 3 : toll paid for passing
 through a lock
lock-er \lɒk-ər\ *n* 1 a : a drawer, cupboard, or compartment that
 may be closed with a lock; esp : one for individual storage use
 b : a chest or compartment on shipboard for compact stowage of
 articles c : a compartment for storing quick-frozen foods for long
 periods usu. at or below 0° F and at 80% relative humidity 2 : one
 that locks
locker paper *n* : a flexible protective paper for wrapping food for
 quick-freezing and storage
locker room *n* : a room devoted to storage lockers; esp : one in
 which participants in a sport have individual lockers for their
 clothes and special equipment and change into and out of sports
 costume
lock-et \lɒk-ət\ *n* [MF *loquet* latch, fr. MD *loke*; akin to OE *loc*]
 : a small case usu. of precious metal for a memento that is worn
 typically suspended from a chain or necklace
lock-jaw \lɒk-jə\ *n* : an early symptom of tetanus characterized
 by spasm of the jaw muscles and inability to open the jaws; also
 : TETANUS
lock-nut \lɒk-nət, -nət\ *n* 1 : a nut screwed down hard on another
 to prevent it from sliding back 2 : a nut so constructed that it
 locks itself when screwed up tight
lock on w : to sight and follow (a target) automatically by means of
 a radar beam
lock out *vt* : to subject (a body of employees) to a lockout
lock-out \lɒk-əʊt\ *n* : the withholding of employment by an em-
 ployer and the whole or partial closing of his business establishment
 in order to gain concessions from employees
lock-ram \lɒk-rəm\ *n* [ME *lokerham*, fr. *Loconan*, town in
 Brittany] : a coarse plain-woven linen formerly used in England
lock-smith \lɒk-smith\ *n* : one who makes or repairs locks
lock-step \-step, -step\ *n* : a mode of marching in step by a body of
 men going one after another as closely as possible
lock-stitch \-stitch\ *n* : a sewing machine stitch formed by the
 looping together of two threads one on each side of the material
 being sewn — **lock-stitch** \-stitch\ *vb*
lock, stock, and barrel *adv* [fr. the principal parts of a flintlock]
 : WHOLLY, COMPLETELY
lock-up \lɒk-əp\ *n* 1 : an act of locking : the state of being locked
 2 : JAIL; esp : a local jail where persons are detained prior to court
 hearing
lo-co \lɒ-(y)kō\ *n, pl* **locos** or **locoes** [MexSp, fr. Sp, crazy]
 1 : LOCOWEED 2 : LOCOISM
lo-co w 1 : to poison with locoweed 2 : to make frenzied or crazy
lo-co *adj* [Sp] *slang* : out of one's mind : CRAZY
lo-co-to-co \lɒ-kə-tō-kō\ *n, pl* **locofocos** [prob. fr. *locomotive*
 + It *fuoco*, *foco* fire, fr. L *focus* hearth] 1 : a match or cigar capable
 of being ignited by friction on any hard dry rough surface 2 *cap*

a : a member of a radical
 in 1835 in opposition to
 CRAT 2
lo-co-ism \lɒ-(y)kō-iz-əm\ *n*
 caused by chronic poison
lo-co-mo-tion \lɒ-kō-mō-
 ſhən\ *n* : the power of movi
lo-co-mo-tive \lɒ-kō-mō-
 tīv\ *n* : a machine that
 from place to place 2 :
 or being a machine that in
 nism — **lo-co-mo-tive-n-**
lo-comotive *n* 1 : a self-p
 any of several forms of e
 for moving railroad cars.
 by a slow beginning and
lo-co-mo-tor \lɒ-kō-mō-
 tōr\ *n* : LOCOMOTIVE 1 2 : aff
locomotor ataxia *n* : a :
 marked esp. by disturban
 voluntary movements
lo-co-weed \lɒ-(y)kō-wēd\ *n*
 (genera *Astragalus* and *C*
 cause locoism in livestock
lo-co-wor-ship \lɒk-yə-
 lɒr\ *adj*
lo-co-yote \lɒk-yə-
 tō\ *n* : a
 or divided into loculi —
locu-le \lɒk-(y)ū(ə)\ *n*
 \-(y)ū(ə)\ *adj*
lo-cu-li-ci-dal \lɒk-yə-
 tət, fr. *caedere* — more at
 to bisect each loculus (~
lo-cu-lus \lɒk-yə-ləs\ *n, pl*
loculus] : a small chamber
 compound ovary of a plant
lo-cum-to-tenus \lɒ-kəm-
 tō-nen-tēz\ [ML, lit.,
 office for a time or tempo
 esp. of a doctor or clergy]
lo-cus \lɒk-əs\ *n, pl* **lo-ci**
 1 : PLACE, LOCALITY 2 :
 terminated by stated condi
lo-cus clas-si-cus \lɒ-kō-
 klas-sē-s\, -kt-, -kī-
 sage important for the stu
lo-cus-tus \lɒk-kst\ *n* [ME,
 HOPPER; esp : a migrat
 swarms and stripping the
 3 a : any of various hard-w
 (2) : HONEY LOCUST b :
lo-cu-tion \lɒk-yū-shən\ *n*
 fr. *locutus*, pp. of *loqui* to
 or a peculiarity of phras
lode \lɒd\ *n* [ME, fr. OE
 go — more at LEAD] 1 :
 deposit that fills a fissure
 within definite boundary
 3 : something that resem
lode-star \lɒd-stär\ *n* 1
 STAR 2 : something that s
lode-stone \lɒd-stōn\ *n*
 2 : something that strong
lodge \lɒdʒ\ *n* 1 a : to
 establish or settle in a plac
 receptacle for : CONTAIN
 4 : to bring to an intende
 thrusting) 5 : to deposi
 place or vest esp. in a so
 complaint) before a prope
 place temporarily : SLEEP
 (2) : to be a lodger 2 : to
 used esp. of hay or grain
lodge *n* [ME *loge*, fr. OF,
 1 *chiefly dial* : a rude shel
 branch (as of a fraternal o
 such a branch 3 a : a ho
 or other special season b
 an estate orig. for the us
 b : a shelter for an empl
 5 : a den or lair esp. of a gr
 b : a family of No. Ameri
lodg-er \lɒdʒ-ər\ *n* 1 : one th
 room in another's house
lodg-ing *n* 1 a : a place
 2 a (1) : sleeping accomm
 b : a room in the house o
 usu. used in pl. 3 : the a
lodging house *n* : a hous
lodgment or **lodg-ment**
 : SHELTER b : ACCOMMO
 manner of lodging b : a
 3 a : an accumulation o
 maining at rest b : a plac
lod-i-cule \lɒd-ē-kyū(ə)\ *n*
 : one of usu. two delicate r
 the ovary of a grass that t
loess \lēs, lō(r)s, lō-əs\ *n*
 yellowish brown loamy de
 Asia and believed to be ch
 \lēs-ē-əl, lō(r)s-, lō-ēs-\ *n*
loft \lɒft\ *n* [ME, fr. OE
 1 : a room or floor abov
 church or hall b : one of
 ness building esp. when s
 backward slant of the fac
loft w 1 : to place, hous
 so as to cause to rise shat
 drawing of the lines of ~

o abut; o kitten; or fr
 j joke; o sing; o flow

WIKIPEDIA

Lockbox

A **lockbox** or **lock box** refers to a box, container or otherwise enclosed space with a built-in lock. Examples include:

- Safe, a secure lockable box used for securing valuable objects
- Locker, a small lockable storage compartment
- Real-estate lock box, a box that stores the keys of a house to allow access for real-estate agents
- Safe deposit box, a secure container for storage of valuables, usually in a bank
- Bank vault, a secure space where money, valuables, records, and documents are stored
- Post office box, a rented secure mailbox at a post office

Lockbox may also refer to:

- Lockbox (accounts receivable), a service offered to organizations by commercial banks to simplify collection and processing of accounts receivable

Retrieved from "<https://en.wikipedia.org/w/index.php?title=Lockbox&oldid=1026691924>"

This page was last edited on 3 June 2021, at 18:33 (UTC).

Text is available under the Creative Commons Attribution-ShareAlike License; additional terms may apply. By using this site, you agree to the Terms of Use and Privacy Policy. Wikipedia® is a registered trademark of the Wikimedia Foundation, Inc., a non-profit organization.

Real-estate lock box

A **real-estate lock box** is a padlock-shaped box that generally hangs around the doorknob of a house that is on the market. The device holds the keys to a house to allow communal access for all real estate agents, while continuing to keep them secure.^[1] Permission is generally required from the seller, who is the owner, to install such a device on the door.^[2] Lock boxes can also be used for the general storage and security of keys for the use of familial access.

Traditional real estate lock boxes are secured either with a manual key, a security code, or a swipe card,^[1] while newer versions operate in tandem with mobile devices, incorporating logging and remote control and configuration.

Advancements

New technology allows for computer generated codes to access the keys from a lockbox. When a buyers agent requests to see a property, a computer program will send a one time use code to the agent for a one time entry. This advancement allows for maximum security, and is nearly the equivalent to changing the lock every time a customer leaves. Other locks use mobile apps to grant access upon arrival of the customer.

References

1. Callahan, John. *Empowering Consumers With How To-torials: A Revealing Roadmap*. p. 122.
2. Pivar, William H.; Anderson, Lowell; Otto, Daniel S. *California Real Estate Practice*. p. 182.



A realtor lock box hanging on the doorknob of a house for sale

Retrieved from "https://en.wikipedia.org/w/index.php?title=Real-estate_lock_box&oldid=1025373894"

This page was last edited on 27 May 2021, at 06:51 (UTC).

Text is available under the Creative Commons Attribution-ShareAlike License; additional terms may apply. By using this site, you agree to the Terms of Use and Privacy Policy. Wikipedia® is a registered trademark of the Wikimedia Foundation, Inc., a non-profit organization.



Departments

Services

Reorder My Items

Sign In Account

\$16.20

New! Shop and search everything you need, all in one place.

Learn more

All filters

Need it fast

Pickup & shipping

Price range

Brand

fiesafe

laptop

hidden

Results for "lock box" (111)

Reduced price



+ Add

\$22.02 ~~\$25.88~~

Master Lock 5400D Set
Your Own Combination
Portable Lock Box, 5 Key...

★★★★☆ 107



+ Add

\$21.09 ~~\$24.51~~

Master Lock 5401D Set
Your Own Combination
Wall Mount Lock Box, 5...

★★★★★ 56

2 days



+ Add

\$27.69

Master Lock 5422D Set
Your Own Combination
Push Button Portable Loc...

★★★★☆ 9

2 days



+ Add

\$12.21

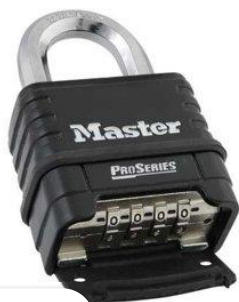
Master Lock 5406D Set
Your Own Combination
Portable Lock Box, 1-2 Ke...

★★★★☆ 28

2 days



+ Add



+ Add



+ Add



+ Add



Departments

Services

Reorder My Items

Sign In Account

\$16.20

Your Own Combination
Tsa-accepted Cable...

★★★★☆ 72

Tomorrow

Combination
Padlock,Bottom,Black/Silve

★★★★☆ 6

Your Own Combination
Portable Lock Box, 5 Key...

Combination Lock Gray
Lock Box

★★★★☆ 4

Reduced price



+2 options

From \$7.05

Master Lock 3DLF Long
Shackle Laminated Steel
Padlock with Key

★★★★☆ 2

2 days



+ Add

\$54.69

Personal Safe, Set Your
OwnWalmartbination
Portable SafeSpace, 9-...



+ Add

\$58.11

Master Lock Group Lock
Box, 9 1/4 in L x 6 in H x 3
1/4 in W, Steel, Red

★★★★☆ 2

2 days



+ Add

\$108.94

Master Lock 5441D Key
Lock Box Bluetooth Wall-
Mount Personal-Use Lock...

2 days



+ Add

\$33.63 ~~\$56.26~~



+ Add

\$89.97 ~~\$199.49~~



+ Add

\$38.09



+ Add

\$9.95 ~~\$93.05~~



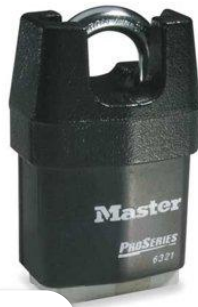
+ Add

\$7.84

Master Lock 380D 1-9/16 in. (40 mm.) Wide Rust-oleum Certified Laminat...

★★★★★ 43

Tomorrow



+ Add

\$22.78 ~~\$35.78~~

Master Lock, MLK6321, Boron Shackle Pro Series Padlock, 1 Each, Black

★★★★☆ 3



+ Add

\$51.00

Master Lock 5420D Set Your Own Combination Portable Lock Box with...



+ Add

\$21.99

Master Lock 234960 1.5 in. Tru Guard Laminated Padlock with 0.87 in. Lon...



+ Add

\$35.57

001404 C3PUSH KeySafe 3-Key Portable Push Button, Clay

2 days



+ Add

\$57.87

MASTER LOCK 503RED Group Lockout Box,14 Locks Max,Red

2 days



+ Add

\$36.02

KIDDE 1413 Lock Box,White,Surface,PushBut Keys

2 days



+ Add

\$39.81

KIDDE 1012 Lock Box,Padlock,3 Keys

2 days



Departments

Services

Reorder My Items

Sign In Account

\$16.20



+ Add

\$23.92 ~~\$39.16~~

Master Lock 1177D 2-1/4" Brass ProSeries Shrouded Resettable Combination...

★★★★☆ 1

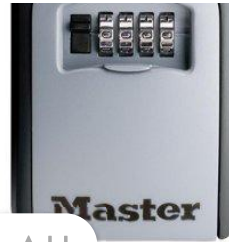


+ Add

\$21.52

Master Lock 175LH Resettable Combination Padlock, Brass, 2", Brass...

★☆☆☆☆ 1



+ Add

\$30.32

Master Lock Set-Your-Own Combination Lock Box

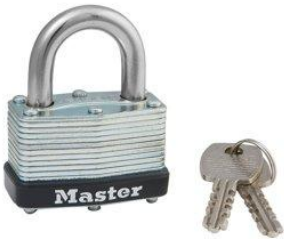


+ Add

\$34.52

KIDDE 534 Lock Box, Black, Surface, Mortise, 5 Keys

Reduced price

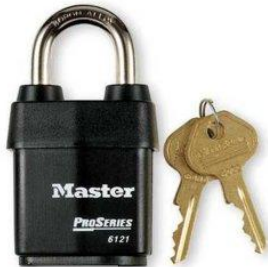


+ Add

\$3.69 ~~\$12.64~~

Master Lock 500D Laminated Steel Warded Padlock with Key

★★★★★ 1



+ Add

\$17.61

Master, MLK6121D, Lock Pro Series Rekeyable Padlock, 1 Each, Black

Explore related products (1000+)

[View all](#)

Reduced price





Departments

Services

Reorder My Items

Sign In Account

Shopping cart icon with 1 item and \$16.20

+ Add

+ Add

+ Add

+ Add

+ Add

+ Add

\$11.22

Vaultz 3x5 Lock Box

★★★★☆ 34

\$19.88

~~\$25.99~~

SentrySafe 1200 Fire-Resistant Box...

★★★★☆ 1114

\$29.88

SentrySafe H0100 Fire-Resistant Box...

★★★★☆ 448

2 days

\$13.45

~~\$18.99~~

Key Lock Safe Box for House and Car Key...

\$19.97

SentrySafe Deluxe Cash Box

★★★★☆ 38

Tomorrow

\$22.77

Vaultz Plastic & Steel Cash Box With Tumbler...

★★★★☆ 35

Tomorrow



We'd love to hear what you think!

Give feedback

Privacy & Security CA Privacy Rights Do Not Sell My Personal Information Request My Personal Information Help Terms of Use All Departments Store Directory

© 2021 Walmart. All Rights Reserved.



Departments

Services

Reorder My Items

Sign In Account

\$16.20

New! Shop and search everything you need, all in one place.

Learn more

All filters

Need it fast

Pickup & shipping

Price range

Brand

vaultz

safe

small

metal

black

medication

key

medicine

fireproof

Showing results for "lock box"

Search instead for [lockbox](#)

Results for "lock box" (111)

Reduced price



+ Add

\$21.09 ~~\$24.51~~

Master Lock 5401D Set
Your Own Combination
Wall Mount Lock Box, 5...

★★★★★ 56

2 days



+ Add

\$22.02 ~~\$25.88~~

Master Lock 5400D Set
Your Own Combination
Portable Lock Box, 5 Key...

★★★★☆ 107



+ Add

\$27.69

Master Lock 5422D Set
Your Own Combination
Push Button Portable Loc...

★★★★☆ 9

2 days



+ Add

\$12.21

Master Lock 5406D Set
Your Own Combination
Portable Lock Box, 1-2 Ke...

★★★★☆ 28

2 days





Departments

Services

Reorder My Items

Sign In Account

\$16.20

\$12.84

Master Lock 4688T Set Your Own Combination Tsa-accepted Cable...

★★★★☆ 72

Tomorrow

\$12.77

MASTER LOCK 1178D Combination Padlock, Bottom, Black/Silve

★★★★☆ 6

\$54.69

Personal Safe, Set Your Own Walmartbination Portable SafeSpace, 9-...

\$30.99 ~~\$44.59~~

Master Lock 0.004 cu. ft. Combination Lock Gray Lock Box

★★★★☆ 4

Reduced price



+2 options

From \$7.05

Master Lock 3DLF Long Shackle Laminated Steel Padlock with Key

★★★★☆ 2

2 days



+ Add

\$108.94

Master Lock 5441D Key Lock Box Bluetooth Wall-Mount Personal-Use Lock...

2 days



+ Add

\$29.99

Master Lock 5400D Set Your Own Combination Portable Lock Box, 5 Key...



+ Add

\$89.97 ~~\$199.49~~

Master Lock 5440D Key Lock Box Bluetooth Portable Lock Box with...

★★★★☆ 3



+ Add



+ Add



+ Add



+ Add



Departments

Services

Reorder My Items

Sign In Account

Shopping cart icon \$16.20

Box, 9 1/4 in L x 6 in H x 3 3/4 in W, Steel, Red

★★★★★ 2

2 days

in. (40 mm.) Wide Rust-oleum Certified Laminate...

★★★★★ 43

Tomorrow

Danger Red Safety Padlock, 1 Each, Red

★★★★★ 9

Set Your Own Combo Light Up Dial Portable Lock Box



+ Add

\$12.17

MASTER LOCK 1534DBLK Luggage/Briefcase Padlock,Steel,Center

★★★★★ 1



+ Add

\$21.52

Master Lock 175LH Resettable Combination Padlock, Brass, 2", Brass...

★☆☆☆☆ 1



+ Add

\$23.92 ~~\$39.16~~

Master Lock 1177D 2-1/4" Brass ProSeries Shrouded Resettable Combination...

★★★★☆☆ 1



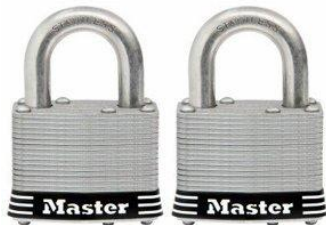
+ Add

\$34.10

Master Lock 5401D Set Your Own Combination Wall Mount Lock Box, 5...

2 days

Reduced price



+ Add

\$33.17

Master Lock Co 2PK 2"SS



+ Add

\$49.92

Master Lock 236794 2 in.



+ Add

\$26.52

Laminated Padlock, 1.5-In.



+ Add

\$38.09

KIDDE 1017 Lock



Departments

Services

Reorder My Items

Sign In Account

\$16.20

Reduced price



+ Add

\$21.99

Master Lock 234960 1.5 in. Tru Guard Laminated Padlock with 0.87 in. Lon...



+ Add

\$36.02

KIDDE 1413 Lock Box, White, Surface, PushBut Keys

2 days



+ Add

\$51.00

Master Lock 5420D Set Your Own Combination Portable Lock Box with...



+ Add

\$7.98

Master Lock 234959 1.5 in. Tru Guard Laminated Padlock with 1.5 in. Long...



+ Add

\$38.82

1SSTLFHC Keyed Laminated Padlocks, 1-3/4 In., 1.5-In. Long Shackle, 2...



+ Add

\$47.37 ~~\$68.10~~

KIDDE 1324 Lock Box, Surface Mount, 2 Keys

Explore related products (1000+)

[View all](#)





Departments

Services

Reorder My Items

Sign In Account

Shopping cart icon with 1 item and \$16.20



+ Add

\$19.88

SentrySafe 1200 Fire-Resistant Box...

★★★★☆ 456

Tomorrow



+ Add

\$9.47

Pen+Gear 8 Inch Red Cash Box

★★★★☆ 20



+ Add

\$11.22

Vaultz 3x5 Lock Box

★★★★☆ 34



+ Add

\$13.45

~~\$18.99~~

Key Lock Safe Box for House and Car Key...



+ Add

\$12.24

SentrySafe CB-8 Small Steel Cash Box with...

★★★★★ 10

2 days



+ Add

\$29.88

SentrySafe H0100 Fire-Resistant Box...

★★★★☆ 448

2 days



Stay in, grill out

Sponsored

Products you may also like

Sponsored





Departments

Services

[Reorder My Items](#)

[Sign In Account](#)

¹
\$16.20



+ Add

\$11.95

ImageLOCK - Combination Lock Blue for Locker - Non-reset Lock with Pictures - Double reinforced stainless steel for all...



+ Add

\$109.99

igloohome Smart Bluetooth Padlock - Grant Access Anytime, Anywhere!

★★★★★ 24

2 days



+ Add

\$11.95

ImageLOCK - Combina For Locker - Non-reset -Double Reinforced St

We'd love to hear what you think!

[Give feedback](#)

[Privacy & Security](#) [CA Privacy Rights](#) [Do Not Sell My Personal Information](#)
[Request My Personal Information](#) [Help](#) [Terms of Use](#) [All Departments](#) [Store Directory](#)

© 2021 Walmart. All Rights Reserved.

lock box

102 items



Up & Up

Lockboxes \$15 - \$25

\$0 - \$15 Key Lock



Try our Same Day Delivery experience.

102 results for "lock box"

↑↓ Relevance



Honeywell Cash Box 816202



Honeywell
★★★★★ 28

\$16.49

Free 2-day shipping with \$35 orders
In stock at Middletown
Ready tomorrow with pickup

Add to cart



Vaultz Personal Storage Box with Combination Lock - Black



Vaultz
★★★★☆ 2

\$32.99

Free standard shipping with \$35 orders
Not in stores

Add for shipping



Vaultz Personal Storage Box with Combination Lock - White



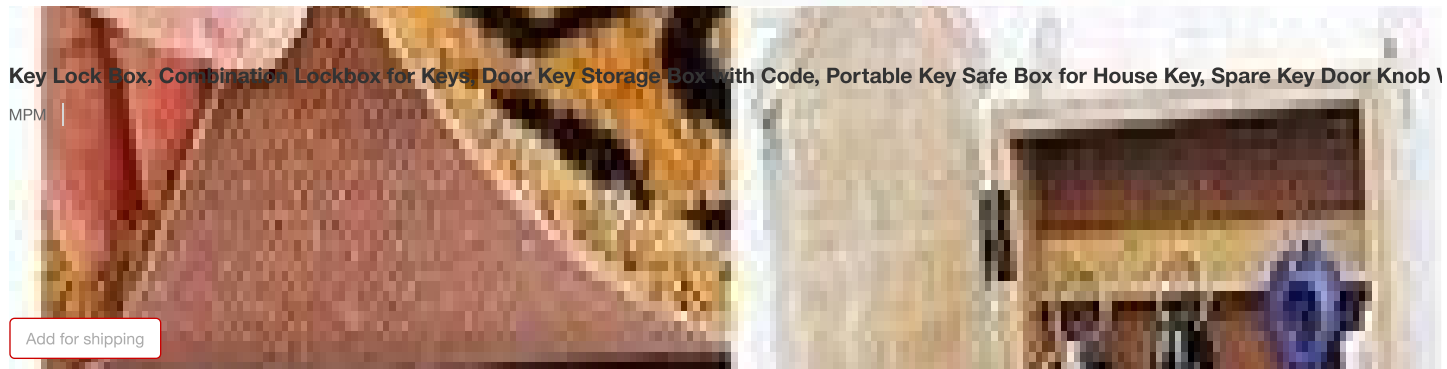
Vaultz
★★★★★ 1

Click to sign in and



Click to sign in and

Click to sign in and



Key Lock Box, Combination Lockbox for Keys, Door Key Storage Box with Code, Portable Key Safe Box for House Key, Spare Key Door Knob

MPM

Add for shipping




Click to sign in and

Lock Box, 4 Digit Combination Key Storage Lock Box for Door, House, Hotels, Realtors, Contractors (Black) 

MPM | New at 

\$19.99

Sold and shipped by **Monoprice**
a Target Plus™ partner 

Free standard shipping with \$35 orders

Not in stores

Add for shipping



Honeywell Fire Resistant Security Box with Key Lock .48 cu ft

Honeywell
★★★★★ 7



Add for shipping



Honeywell Fire Resistant Steel Security Box .17 cu ft - Black

Honeywell
★★★★★ 12



Vaultz Personal Storage Box with Combination Lock - Pink

Vaultz
★★★★★ 1

sponsored



\$27.49

Shipping not available
Not in stores



Digital Security Safe Box Black - Fleming Supply

Fleming Supply
★☆☆☆☆ 1

\$33.99

Free standard shipping with \$35 orders
Not in stores

Add to cart



Honeywell Small Steel Cash Box with Removable Tray

Honeywell
★★★★★ 1

\$18.29

Free standard shipping with \$35 orders
Not in stores

Add for shipping



Honeywell Standard Steel Cash Box

Honeywell
★★★★★ 6

\$19.99

Free standard shipping with \$35 orders
Not in stores

Add for shipping



Honeywell Large Steel Security Cash Box

Honeywell

\$54.99

Free standard shipping
Not in stores

Add for shipping



Vaultz Vinyl Record Case with Combination Lock - Black 

Vaultz
★★★★★ 1

\$69.99

Free standard shipping

Not in stores

Add for shipping



Metal Pencil Box Sparkle Unicorn - Vaultz 

Vaultz
★★★★☆ 3

\$12.99

Free 2-day shipping with \$35 orders

In stock at Middletown

Ready tomorrow with pickup

Add to cart



Deluxe Electronic Digital Safe Black - Fleming Supply 

Fleming Supply
★★★★☆ 2

\$189.99

Free 2-day shipping

Not in stores

Add to cart

Add to cart

sponsored



Metal Pencil Box Adventure Dragon Eye - Vaultz



Vaultz

★★★★★ 4

\$12.99

Free 2-day shipping with \$35 orders

In stock at Middletown

Ready tomorrow with pickup

Add to cart



Honeywell Steel Tiered Tray Cash Box



Honeywell

\$59.99

Free standard shipping

Not in stores

Add for shipping





SereneLife Fireproof Security Safe Box with Electronic Digital Combination Control Pad System and 2 Mechanical Manual Access Keys,
SereneLife

Add to cart





Honeywell Multipurpose Steel Drop Box 

Honeywell

\$39.99

Free standard shipping

Not in stores

Add for shipping



Full-Size Cash Box RSCB-200 - Royal Sovereign 

Royal Sovereign

★★★★☆ 2

\$21.99

Free standard shipping with \$35 orders

Not in stores

Add for shipping



Honeywell Fire Resistant Digital Steel Security 

Honeywell



Add to cart



Security Wall Safe Electronic Digital Lock Box - Fleming Supply



Fleming Supply

\$80.99

Free standard shipping

Not in stores

Add to cart





Bankers Box STOR/FILE Med-Duty Letter/Legal Storage Boxes Locking Lid White/Blue 4/Carton 0078907 

Bankers Box

\$27.04

reg \$29.34

Sale

Sold and shipped by **MyOfficeInnovations**

a Target Plus™ partner 

Free 2-day shipping with \$35 orders

Not in stores

[Add for shipping](#)

 page 1 of 5 

Related searches

- [safes and lock boxes](#)
- [lock box storage](#)
- [kids lock storage box](#)
- [fire safe lock box](#)
- [dorm lock box](#)
- [desk lock box](#)

Did you find what you were looking for?

-
-

For order, account issues, or specific item inquiries, please contact us

Recommended for you

- 

\$16.49
Honeywell Cash Box 8...
- 

\$27.49
Honeywell Fire Resista...
- 

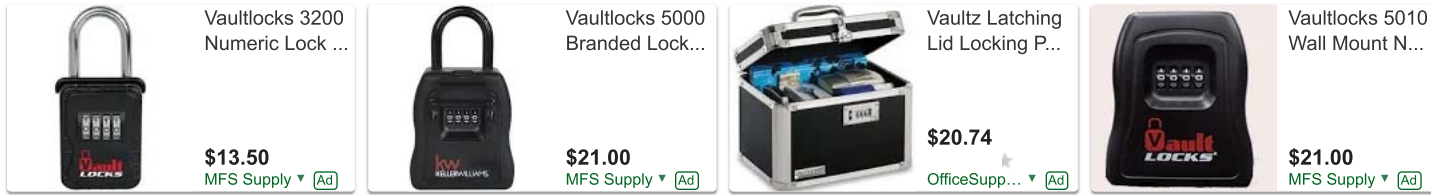
\$22.99
Honeywell Fire & Water...
- 

\$24.99
Vaultz Personal Stora...
- 

\$44.99
Honeywell Fire and Wat...
- 

\$32.9
Vaultz Persona

Sponsored



sponsored

[\\$10.99 Realtor Lock Boxes - Hinged Key Lockboxes - 3 or 4 Combination Wheels](#)

(Ad) <https://www.ushardwaresupply.com/lockboxes>

Combination **Lock Box** for House Keys with Quality 100% Guarantee. Hang **lockbox** on doorknob. **Lockbox** codes of 3 letters or 4 numbers. Hardened steel shackle with protective sleeve. Wholesale Pricing. Free Shipping over \$450. High Quality. Satisfaction Guarantee. Types: Hinged **Lock Box** 4 Number Combination, Hinged **Lock Box** 3 Letter Combination.

→ Visit Website

[Lock box Doorknob Key Safes at Lowes.com](#)

(Ad) <https://www.lowes.com/>

Lowe's® Official Site. Shop Online and Select Delivery or Store Pickup Today. Browse our Huge...
rating for lowes.com
4930 Norton Healthcare Blvd, Louisville, KY

→ Visit Website

[Pitney Bowes - Locker Solutions - Improves customer experience](#)

(Ad) <https://www.pitneybowes.com/receive-track/lockers>

Our lockers provide monitored delivery and offer 24/7 contactless, & self-service pickup. They are designed to meet the evolving demands driven by e-commerce. Tracking. Safety and Security. Improve Productivity. Convenience. Types: Mobile Alerts for Pickup, Customizable Solution.

→ Visit Website

[The Widest Collection of Locks - UHS Locks & Hardware - Locksmith Tools & Supplies](#)

(Ad) <https://www.uhs-hardware.com/>

We offers the widest selection of **locks** and tools for automotive and general locksmith. Save Big on All Your Locksmith Supply Needs. Lowest Price.Free shipping. Call Us Now. Shop Now. Highlights: Multiple Payment Options Available, Newsletter Available.
rating for uhs-hardware.com

→ Visit Website

*See offer details. Restrictions apply. Pricing, promotions and availability may vary by location and at Target.com.

Help ▾ Stores ▾ Apps ▾ Social ▾ More ▾

The latest on our store health and safety plans



Recalls Terms Interest-Based Ads CA Privacy Rights CA Supply Chain Act Privacy Updated 7/2021 Do Not Sell My Personal Information™ & © 2021 Target Brands, Inc.



Expect More. Pay Less.

sponsored

United States Patent [19]

[11] **Des. 265,867**

Margulis

[45] **** Aug. 24, 1982**

[54] **TRANSPARENT LOCK BOX**

D. 202,401 9/1966 Black D3/39
D. 225,479 12/1972 Zottola D3/74

[75] Inventor: **Craig S. Margulis**, Los Angeles, Calif.

[73] Assignee: **Acrylic Creations, Inc.**, Van Nuys, Calif.

[**] Term: **14 Years**

[21] Appl. No.: **130,287**

[22] Filed: **Mar. 14, 1980**

[51] Int. Cl. **D3-02**

[52] U.S. Cl. **D3/78; D3/39**

[58] Field of Search **D3/30, 39, 74, 75, 78; D9/414, 420, 423, 432; D27/43, 46**

[56] **References Cited**

U.S. PATENT DOCUMENTS

D. 71,406 11/1926 Purchas D3/78
D. 97,441 11/1935 Scully D9/432

OTHER PUBLICATIONS

Bradley Industries Cat., 1st Ed., 1962, p. 17, Item No. 700F.

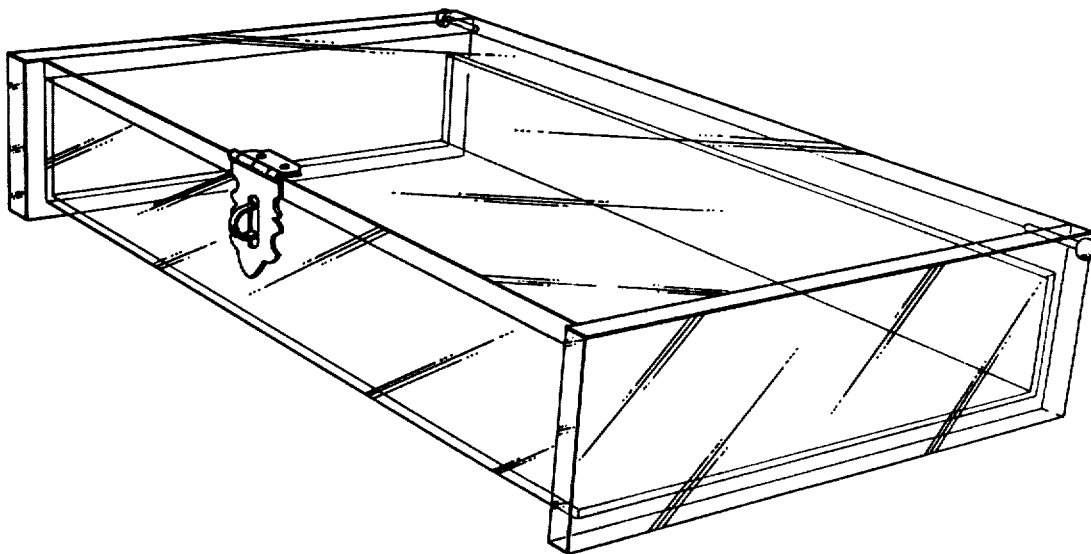
Primary Examiner—George P. Word
Attorney, Agent, or Firm—Nilsson, Robbins, Dalgarno, Berliner, Carson and Wurst

[57] **CLAIM**

The ornamental design for a transparent lock box, substantially as shown and described.

DESCRIPTION

FIG. 1 is a perspective view of a transparent lock box showing my new design;
FIG. 2 is a rear elevational view thereof;
FIG. 3 is a right side elevational view, the opposite side being a mirror image thereof; and
FIG. 4 is a bottom plan view thereof.





US00D411949S

United States Patent [19]
Hill

[11] **Patent Number: Des. 411,949**
[45] **Date of Patent: ** Jul. 13, 1999**

[54] **LOCK BOX**

4,936,894 6/1990 Larson et al. .

[75] Inventor: **Matthew S. Hill**, Salem, Oreg.

OTHER PUBLICATIONS

[73] Assignee: **SLC Technologies, Inc.**, Salem, Oreg.

Supra RV Keyboxes brochure, 4 pages, Supra Products, Inc., Salem, Oregon Jan. 1995.

[**] Term: **14 Years**

Product Brochure, "Trust Your Keys to KeySafe", 2 pages, Supra Product, Inc., Salem, Oregon Jan. 1995.

[21] Appl. No.: **29/086,770**

Primary Examiner—Brian N. Vinson
Attorney, Agent, or Firm—Klarquist Sparkman Campbell Leigh & Whinston, LLP

[22] Filed: **Oct. 14, 1997**

Related U.S. Application Data

[57] **CLAIM**

[63] Continuation of application No. 29/069,949, Apr. 18, 1997, abandoned.

I claim the ornamental design for a lock box, as shown and described.

[51] **LOC (6) Cl.** **08-07**

DESCRIPTION

[52] **U.S. Cl.** **D8/331**

[58] **Field of Search** D8/330, 331, 346;
70/14, 57-58, 63, 158, 286

FIG. 1 is a perspective view of a lock box showing my new design;

FIG. 2 is a front elevation view;

FIG. 3 is a left-side elevation view, the right-side elevation view is the mirror image thereof;

FIG. 4 is a bottom elevation view;

FIG. 5 is a top elevation view; and,

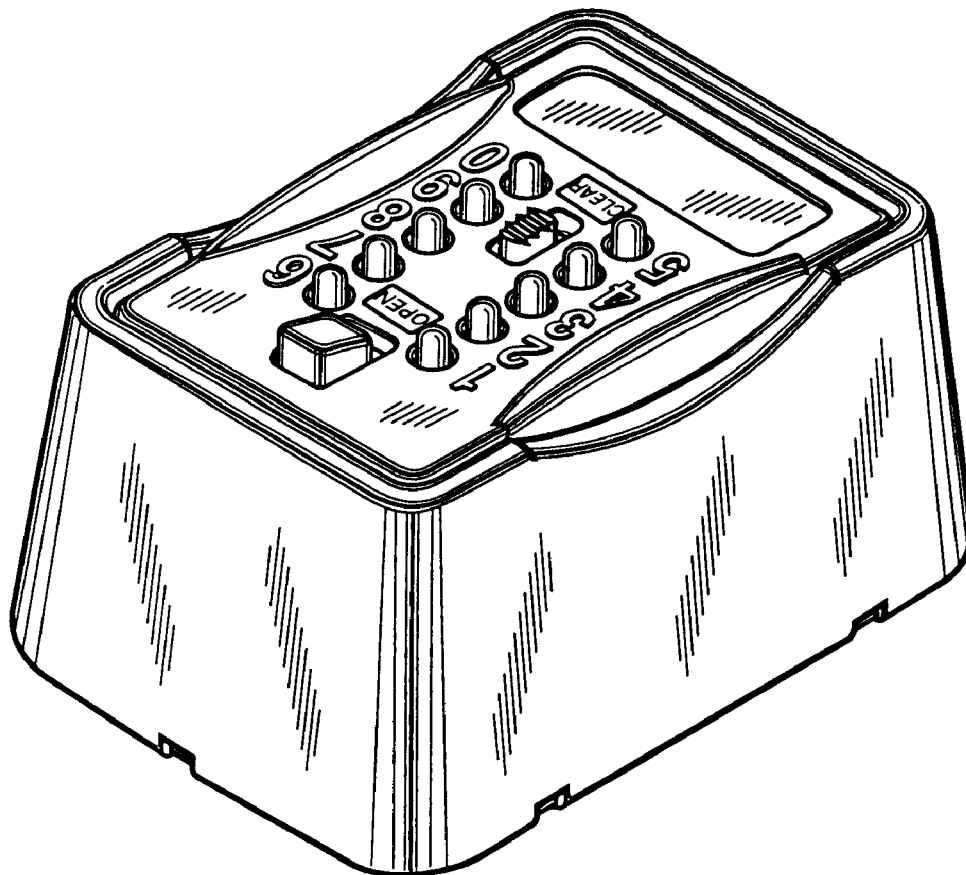
FIG. 6 is a back elevation view.

[56] **References Cited**

U.S. PATENT DOCUMENTS

D. 301,682	6/1989	Gardenswartz	D8/330
D. 336,418	6/1993	Carter	D8/330
D. 358,540	5/1995	Trempala	D8/330
4,468,940	9/1984	Davis	70/63
4,626,007	12/1986	Larson

1 Claim, 2 Drawing Sheets





(12) **United States Design Patent**
Henderson et al.

(10) **Patent No.:** **US D693,535 S**
(45) **Date of Patent:** **** Nov. 12, 2013**

(54) **LOCK BOX**

(71) Applicant: **The Drucker Company**, Philipsburg,
PA (US)

(72) Inventors: **Anthony J. Henderson**, State College,
PA (US); **Thomas Mallison**, State
College, PA (US); **Kenneth Moscone,**
Jr., Port Matilda, PA (US); **Kenneth**
Moscone, Sr., Port Matilda, PA (US);
Craig Stout, Port Matilda, PA (US)

(73) Assignee: **The Drucker Company**, Philipsburg,
PA (US)

(**) Term: **14 Years**

(21) Appl. No.: **29/439,651**

(22) Filed: **Dec. 13, 2012**

(51) **LOC (9) Cl.** **99-00**

(52) **U.S. Cl.**
USPC **D99/28**

(58) **Field of Classification Search**
USPC D99/28, 34, 35, 36, 43, 99; 109/1 R, 1 V,
109/2, 45, 49.5, 52, 58, 59 R, 78; 206/0.8,
206/0.81, 0.815, 0.82, 317, 527; 902/9
See application file for complete search history.

(56) **References Cited**

U.S. PATENT DOCUMENTS

746,205	A *	12/1903	Valentine	232/4 R
D273,908	S *	5/1984	Hoogeveen	D99/28
D289,582	S *	5/1987	Brush et al.	D3/281
D291,139	S *	7/1987	Warwicker	D99/28
4,744,445	A *	5/1988	Anderson et al.	190/107
D393,526	S *	4/1998	Robey et al.	D99/28
D474,596	S *	5/2003	Osiecki et al.	D3/273

D490,206	S *	5/2004	Perella et al.	D99/28
D493,936	S *	8/2004	Perella et al.	D99/28
D503,024	S *	3/2005	Perella et al.	D99/28
D503,503	S *	3/2005	Perella et al.	D99/28
D504,990	S *	5/2005	Perella et al.	D99/28
D511,035	S *	10/2005	Perella et al.	D99/28
D560,875	S *	1/2008	Decarlo et al.	D99/28
D572,425	S *	7/2008	Themistos	D99/28
D574,124	S *	7/2008	Huber	D99/28
D579,174	S *	10/2008	Decarlo et al.	D99/28
D617,974	S *	6/2010	Alfeld, Sr.	D99/28
D620,675	S *	7/2010	Doettling	D99/28
D667,195	S *	9/2012	Guo	D99/28
D668,047	S *	10/2012	Cenzano et al.	D3/272
D669,244	S *	10/2012	Gustafson	D99/28
D671,742	S *	12/2012	Cenzano et al.	D3/272
D671,743	S *	12/2012	Cenzano et al.	D3/272
D677,463	S *	3/2013	Cenzano et al.	D3/272
2008/0196637	A1 *	8/2008	Howell et al.	109/38

* cited by examiner

Primary Examiner — Elizabeth J Oswecki

(74) *Attorney, Agent, or Firm* — McNeese Wallace & Nurick
LLC

(57) **CLAIM**

The ornamental design for a lock box, as shown and
described.

DESCRIPTION

FIG. 1 is a perspective view of a lock box showing our new
design;

FIG. 2 is a front view thereof;

FIG. 3 is a first side view thereof;

FIG. 4 is a rear view thereof;

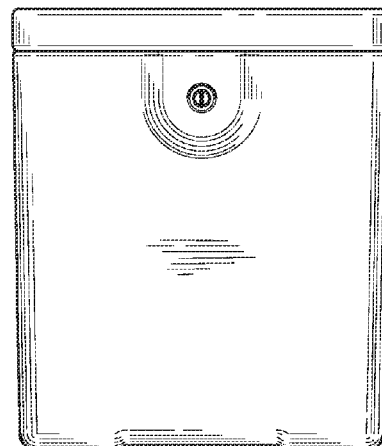
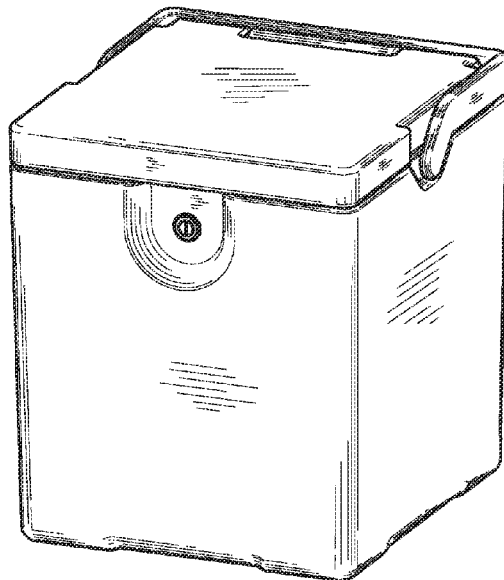
FIG. 5 is a second side view thereof;

FIG. 6 is a top view thereof; and,

FIG. 7 is a bottom view thereof.

The broken-line portions forms no part of the claimed design.

1 Claim, 4 Drawing Sheets





US00D772522S

(12) **United States Design Patent** (10) **Patent No.:** **US D772,522 S**
Henderson et al. (45) **Date of Patent:** **** Nov. 22, 2016**

(54) **LOCK BOX**

(56) **References Cited**

(71) Applicant: **THE DRUCKER COMPANY**,
Philipsburg, PA (US)

(72) Inventors: **Anthony J. Henderson**, State College,
PA (US); **Kenneth Moscone, Sr.**, Port
Matilda, PA (US); **Kenneth Moscone,
Jr.**, Port Matilda, PA (US); **Mathew T.
Samperi**, Boxborough, MA (US); **Craig
Stout**, Port Matilda, PA (US); **Jason A.
Stout**, State College, PA (US)

(73) Assignee: **The Drucker Company**, Philipsburg,
PA (US)

(**) Term: **15 Years**

U.S. PATENT DOCUMENTS

746,205 A	12/1903	Valentine	
928,483 A *	7/1909	Wakeman	E05B 47/0002 109/45
D273,908 S	5/1984	Hoogveen	
D289,582 S	5/1987	Brush, Jr. et al.	
D291,139 S	7/1987	Warwicker	
4,744,445 A	5/1988	Anderson et al.	
D376,246 S *	12/1996	Sugawara	D99/28
D393,526 S	4/1998	Robey et al.	
D474,596 S	5/2003	Osiecki et al.	
D490,206 S	5/2004	Perella et al.	
D493,936 S	8/2004	Perella et al.	
D503,024 S	3/2005	Perella et al.	
D503,503 S	3/2005	Perella et al.	

(Continued)

Primary Examiner — Elizabeth J Oswecki
(74) *Attorney, Agent, or Firm* — McNees Wallace &
Nurick LLC

(21) Appl. No.: **29/537,571**

(22) Filed: **Aug. 27, 2015**

(51) **LOC (10) Cl.** **99-00**

(52) **U.S. Cl.**
USPC **D99/28**

(58) **Field of Classification Search**
USPC D99/28, 34, 35, 36, 37, 43, 99
CPC A45C 1/12; A45C 2001/125; A45C
2001/102; A45C 2001/104; A45C 2001/006;
A45C 2001/003; A45C 2001/105; A45C
2001/107; E05G 1/00; E05G 1/005; E05G
1/024; E05G 1/026; E05G 5/00; E05G 7/00;
E05G 7/001; E05G 2700/00; E05G 2700/002;
B63C 7/30; G07D 9/00; G07D 9/002;
G07D 9/004; G07D 9/006; G07D 9/008;
G07D 9/02; G07D 9/04; G07D 9/06; G07D
9/065; G07D 11/00; G07D 11/0021; G07D
13/00; G07D 2201/00; G07D 2211/00;
G07F 9/06; G07F 9/08

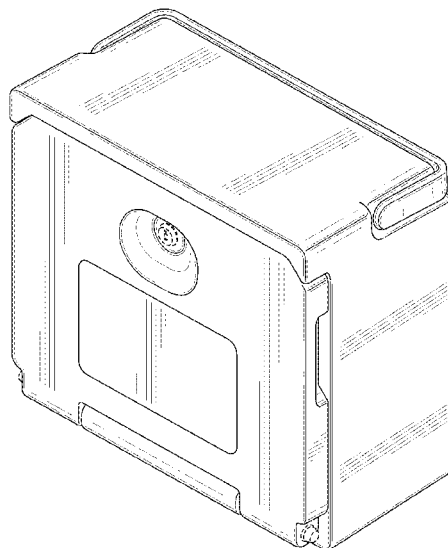
See application file for complete search history.

(57) **CLAIM**
The ornamental design for a lock box, as shown and
described.

DESCRIPTION

FIG. 1 is a top, front, left side perspective view of a lock box
showing our new design;
FIG. 2 is a front view of the lock box of FIG. 1;
FIG. 3 is a rear view of the lock box of FIG. 1;
FIG. 4 is a left side view of the lock box of FIG. 1;
FIG. 5 is a right side view of the lock box of FIG. 1;
FIG. 6 is a top view of the lock box of FIG. 1; and,
FIG. 7 is a bottom view of the lock box of FIG. 1.
The broken lines in the drawings illustrate features that form
no part of the claim.

1 Claim, 7 Drawing Sheets





US00D899219S

(12) **United States Design Patent**
Yu et al.

(10) **Patent No.:** **US D899,219 S**

(45) **Date of Patent:** **** Oct. 20, 2020**

(54) **LOCK BOX**

(71) Applicant: **SINOX CO., LTD**, New Taipei (TW)

(72) Inventors: **Chang-Chiang Yu**, New Taipei (TW);
Chia-Hung Wang, New Taipei (TW);
Chien-Hung Wu, New Taipei (TW)

(73) Assignee: **SINOX CO., LTD**, New Taipei (TW)

(**) Term: **15 Years**

(21) Appl. No.: **29/658,246**

(22) Filed: **Jul. 30, 2018**

(51) **LOC (12) CL.** **08-07**

(52) **U.S. Cl.**
 USPC **D8/333**

(58) **Field of Classification Search**
 USPC D8/330, 331, 334, 333
 CPC E05B 13/001; E05B 15/06; E05B 19/0005
 See application file for complete search history.

(56) **References Cited**

U.S. PATENT DOCUMENTS

D495,234 S * 8/2004 Fisher D8/330
 D615,842 S * 5/2010 Freeman D8/333
 D636,252 S * 4/2011 Wasson D8/333

9,540,845 B1 * 1/2017 Yang E05B 19/0005
 9,670,694 B2 * 6/2017 Larson E05B 19/0005
 10,460,545 B2 * 10/2019 Evans G08B 13/2402

* cited by examiner

Primary Examiner — Doris Clark
 (74) *Attorney, Agent, or Firm* — Birch, Stewart, Kolasch
 & Birch, LLP

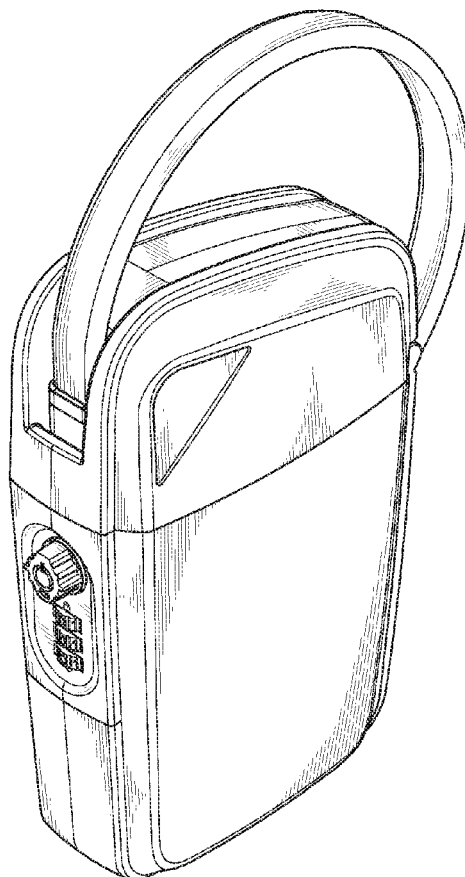
(57) **CLAIM**

We claim the ornamental design for a lock box, as shown and described.

DESCRIPTION

FIG. 1 is a front perspective view of a lock box showing our new design;
 FIG. 2 is a rear perspective view thereof;
 FIG. 3 is a front elevational view thereof;
 FIG. 4 is a rear elevational view thereof;
 FIG. 5 is a left side elevational view thereof;
 FIG. 6 is a right side elevational view thereof;
 FIG. 7 is a top plan view thereof;
 FIG. 8 is a bottom plan view thereof; and
 FIG. 9 is a front perspective view showing an open top;
 FIG. 10 is a front perspective view showing an open top with the strap disengaged; and,
 FIG. 11 is a front perspective view showing the strap disengaged.

1 Claim, 11 Drawing Sheets





(12) **United States Patent**
Van Handel

(10) **Patent No.:** **US 7,360,380 B2**
(45) **Date of Patent:** **Apr. 22, 2008**

- (54) **LOCK BOX**
- (75) Inventor: **Mark Van Handel**, Milwaukee, WI (US)
- (73) Assignee: **Master Lock Company LLC**, Oak Creek, WI (US)

2,859,789 A	11/1958	Bucket
2,875,803 A	3/1959	Greene et al.
2,889,050 A	6/1959	Modrey
3,318,354 A	5/1967	Borisof

(Continued)

FOREIGN PATENT DOCUMENTS

- (*) Notice: Subject to any disclaimer, the term of this patent is extended or adjusted under 35 U.S.C. 154(b) by 117 days.

CH 674 395 5/1990

(Continued)

OTHER PUBLICATIONS

- (21) Appl. No.: **11/264,453**
- (22) Filed: **Nov. 1, 2005**

International Search Report and Written Opinion of the International Searching Authority, dated Dec. 20, 2006, pp. 8.

(Continued)

- (65) **Prior Publication Data**
US 2006/0162403 A1 Jul. 27, 2006

Primary Examiner—Suzanne Dino Barrett
(74) *Attorney, Agent, or Firm*—Calfee, Halter & Griswold LLP

Related U.S. Application Data

- (60) Provisional application No. 60/623,934, filed on Nov. 1, 2004.

(57) **ABSTRACT**

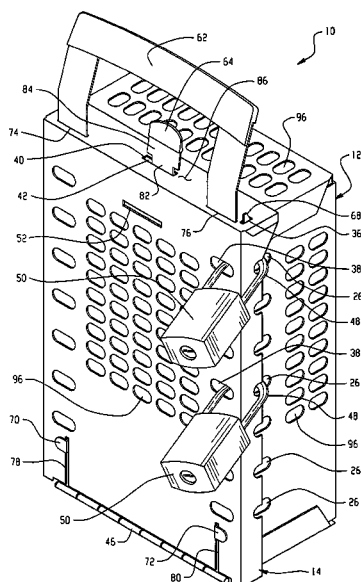
- (51) **Int. Cl.**
B65D 55/14 (2006.01)
- (52) **U.S. Cl.** **70/63; 70/14; 211/9**
- (58) **Field of Classification Search** **70/63, 70/14, 159, DIG. 63, DIG. 71; 211/9, 85.9**
See application file for complete search history.

A lock box that includes a body for storing keys, a lid, and a latching mechanism. The lid is arranged for selectively covering the opening. The body and the lid include securing apertures that are cooperatively positioned when the lid covers the opening. The body and lid also include cutouts that are aligned when the lid covers the opening. The latching mechanism is slideably coupled to the lid and includes a cantilever spring and a tab. The tab passes through the cutouts in the body and lid when the lid covers the opening and the latching mechanism is in a latched position. The cantilever spring is partially located in an aperture in the lid. The position of the cantilever spring is determined by whether the latching mechanism is latched or unlatched. The lock box when secured can require the cooperation of multiple users to open.

- (56) **References Cited**
U.S. PATENT DOCUMENTS

1,719,120 A	7/1929	Miles
1,877,910 A	9/1932	Enfant
1,877,912 A	9/1932	L'Enfant
2,219,561 A	10/1940	Miller
2,485,051 A	10/1949	Joslin
2,635,665 A	4/1953	Ashley
2,704,101 A	3/1955	Wittrien

26 Claims, 8 Drawing Sheets





(12) **United States Patent**
Yu et al.

(10) **Patent No.:** **US 10,794,092 B2**
(45) **Date of Patent:** **Oct. 6, 2020**

(54) **LOCK BOX**

(2013.01); *E05G 1/04* (2013.01); *A45C 11/32* (2013.01); *E05B 19/0005* (2013.01); *E05B 37/02* (2013.01)

(71) Applicant: **SINOX CO., LTD**, New Taipei (TW)

(72) Inventors: **Chang-Chiang Yu**, New Taipei (TW);
Chia-Hung Wang, New Taipei (TW);
Chien-Hung Wu, New Taipei (TW)

(58) **Field of Classification Search**

CPC *E05B 65/52*; *E05B 37/02*; *E05B 73/0005*;
E05B 19/0005; *E05B 65/5284*; *E05G 1/00*; *E05G 1/005*; *E05G 1/026*; *E05G 1/04*; *A45C 13/20*; *A45C 11/32*
USPC *70/63*; *109/52*
See application file for complete search history.

(73) Assignee: **SINOX CO., LTD**, New Taipei (TW)

(*) Notice: Subject to any disclaimer, the term of this patent is extended or adjusted under 35 U.S.C. 154(b) by 197 days.

(56) **References Cited**

U.S. PATENT DOCUMENTS

(21) Appl. No.: **16/119,185**

4,838,052 A * 6/1989 Williams *E05B 19/0005*
109/52
5,531,082 A * 7/1996 Wolk *A45C 13/20*
70/18
7,866,505 B2 * 1/2011 Perlman *A45C 13/20*
220/835

(22) Filed: **Aug. 31, 2018**

(65) **Prior Publication Data**

US 2019/0071897 A1 Mar. 7, 2019

* cited by examiner

(30) **Foreign Application Priority Data**

Sep. 1, 2017 (TW) 106213047 U

Primary Examiner — Suzanne L Barrett

(74) *Attorney, Agent, or Firm* — Birch, Stewart, Kolasch & Birch, LLP

(51) **Int. Cl.**

E05B 65/52 (2006.01)
A45C 13/20 (2006.01)
E05G 1/00 (2006.01)
E05B 73/00 (2006.01)
E05G 1/026 (2006.01)
E05G 1/04 (2006.01)
E05B 37/02 (2006.01)
A45C 11/32 (2006.01)
E05B 19/00 (2006.01)

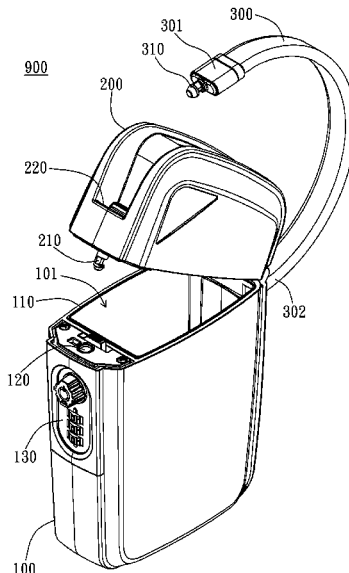
(57) **ABSTRACT**

The lock box includes a box, a cap, and a cable. The box includes a box opening, a lock hole, and a lock body. The cap includes a cap fixing part, a cap socket, and a restricting device. The cap fixing part is able to extend into the lock hole and be locked by the lock body when the cap covers the box opening. The restricting device has a lifting lever. One end of the cable has a cable fixing part. The cable fixing part can be inserted into the cap socket with its movement being restricted by the restricting device. A user can apply a force on the lifting lever to release the restriction on the movement of the cable fixing part by the restricting device when the cap doesn't cover the box opening.

(52) **U.S. Cl.**

CPC *E05B 65/52* (2013.01); *A45C 13/20* (2013.01); *E05B 65/5284* (2013.01); *E05B 73/0005* (2013.01); *E05G 1/00* (2013.01); *E05G 1/005* (2013.01); *E05G 1/026*

10 Claims, 9 Drawing Sheets



(12) **United States Design Patent**
Yang

(10) **Patent No.:** **US D638,277 S**

(45) **Date of Patent:** **** May 24, 2011**

(54) **LOCK BOX**

(76) Inventor: **Yao Kun Yang**, Chang-Hua County (TW)

(**) Term: **14 Years**

(21) Appl. No.: **29/379,655**

(22) Filed: **Nov. 23, 2010**

(51) **LOC (9) CI.** **08-07**

(52) **U.S. CI.** **D8/333**

(58) **Field of Classification Search** D8/330-348;
70/20, 24, 51, 52, 55, 56, 58, 63, 18, 401,
70/429, 430, DIG. 56, 57, 57.1, 183, 184,
70/262, 465, 466, DIG. 3, DIG. 4, DIG. 8,
70/DIG. 43

See application file for complete search history.

(56) **References Cited**

U.S. PATENT DOCUMENTS

4,468,940	A *	9/1984	Davis	70/63
4,532,783	A *	8/1985	Maurice	70/63
4,609,780	A *	9/1986	Clark	379/102.06
4,727,368	A *	2/1988	Larson et al.	340/5.6
5,046,339	A *	9/1991	Krell	70/55
D417,604	S *	12/1999	Wasson et al.	D8/343
D472,129	S *	3/2003	Hill et al.	D8/333

D488,048	S *	4/2004	Wasson et al.	D8/333
D495,234	S *	8/2004	Fisher et al.	D8/333
D499,634	S *	12/2004	Dolan et al.	D8/333
D539,633	S *	4/2007	Van Handel	D8/333
D615,842	S *	5/2010	Freeman	D8/333
D622,129	S *	8/2010	Spivey et al.	D8/333

* cited by examiner

Primary Examiner — Prabhakar Deshmukh

(57) **CLAIM**

The ornamental design for a lock box, as shown and described.

DESCRIPTION

FIG. 1 is a perspective view of a lock box showing my new design;
FIG. 2 is a front elevational view of FIG. 1;
FIG. 3 is a rear elevational view of FIG. 1;
FIG. 4 is a left side view of FIG. 1;
FIG. 5 is a right side view of FIG. 1;
FIG. 6 is a top plan view of FIG. 1; and,
FIG. 7 is a bottom plan view of FIG. 1.

The ornamental design which is claimed is shown in solid lines in the drawings. The broken lines in the drawings are for illustrative purposes only and form no part of the claimed design.

1 Claim, 5 Drawing Sheets

