

[Home \(/\)](#) /

## Products

---

[Flywheel Couplings \(/products/flywheel-couplings\)](/products/flywheel-couplings)

[General Purpose Couplings \(/products/general-purpose-couplings\)](/products/general-purpose-couplings)

[Motion Control Couplings \(/products/motion-control-couplings\)](/products/motion-control-couplings)

[Specialty Couplings \(/products/specialty-couplings\)](/products/specialty-couplings)

[Rigid Couplings & Shaft Collars \(/products/rigid-couplings-shaft-collars\)](/products/rigid-couplings-shaft-collars)

[Hydraulic Pump Mounts \(/products/hydraulic-pump-mounts\)](/products/hydraulic-pump-mounts)

[Bearing Supported Stub Shafts \(/products/bearing-supported-stub-shafts\)](/products/bearing-supported-stub-shafts)

[Pipe Couplings \(/products/pipe-couplings\)](/products/pipe-couplings)

## Resources

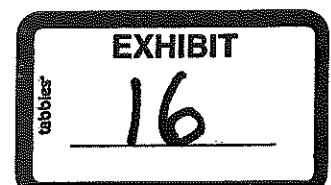
---

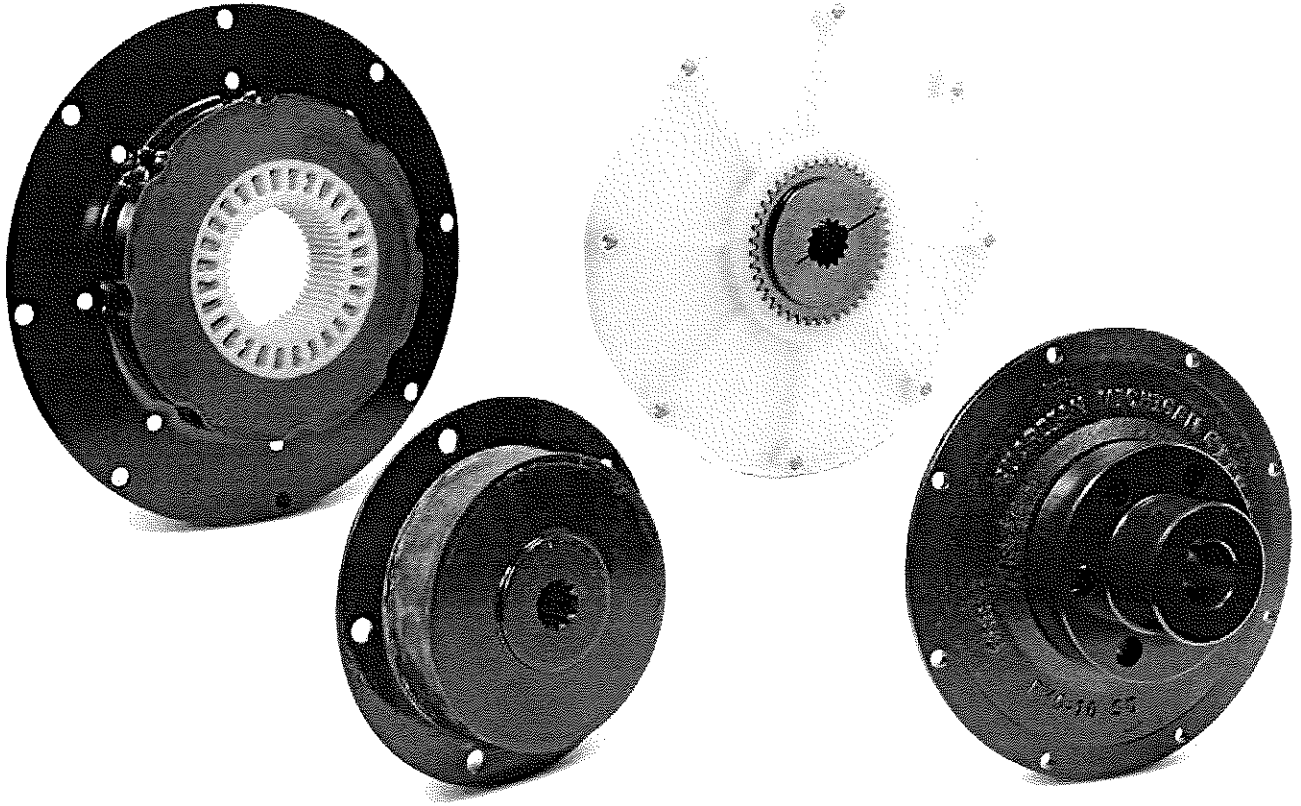
[Application Profiles \(/newsroom/category/literature/application-profile\)](/newsroom/category/literature/application-profile)

[Literature \(https://www.altraliterature.com/brand/guardian-couplings/brochures\)](https://www.altraliterature.com/brand/guardian-couplings/brochures)

## Products

---

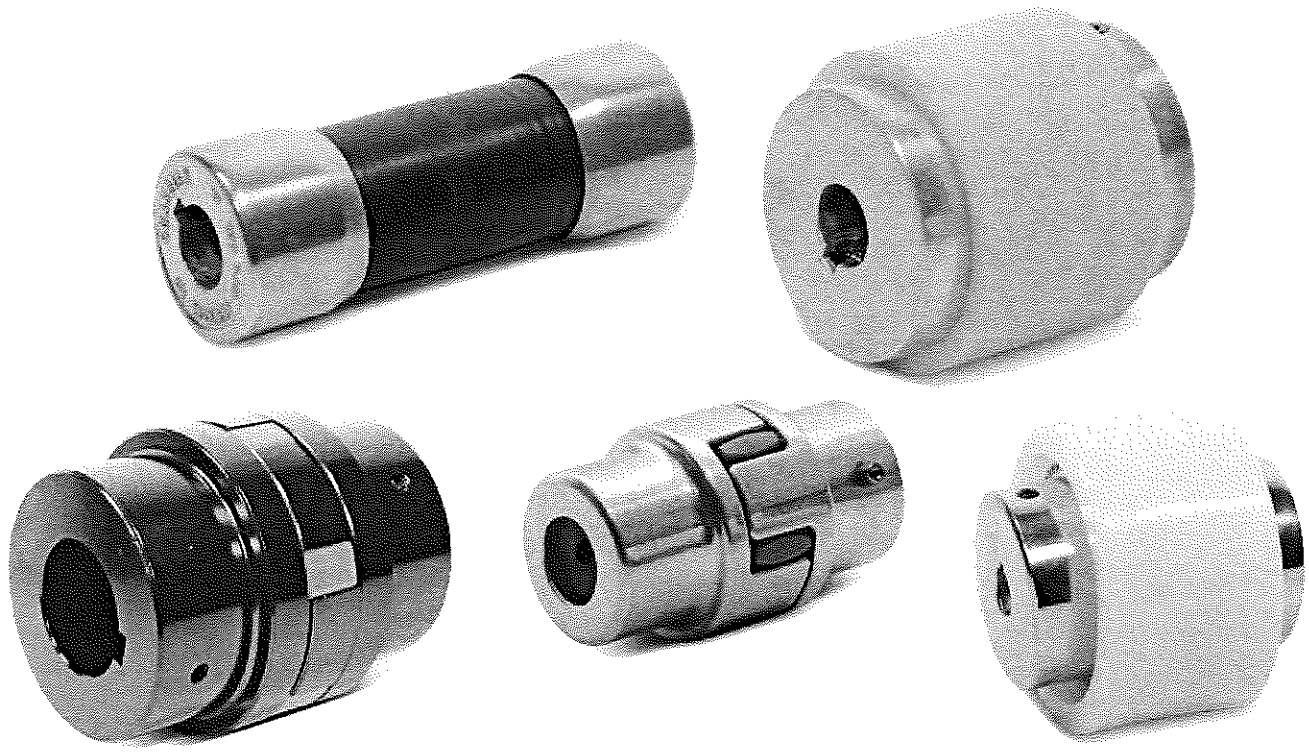




[\(/products/flywheel-couplings\)](/products/flywheel-couplings)

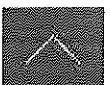
[Flywheel Couplings \(/products/flywheel-couplings\)](/products/flywheel-couplings)

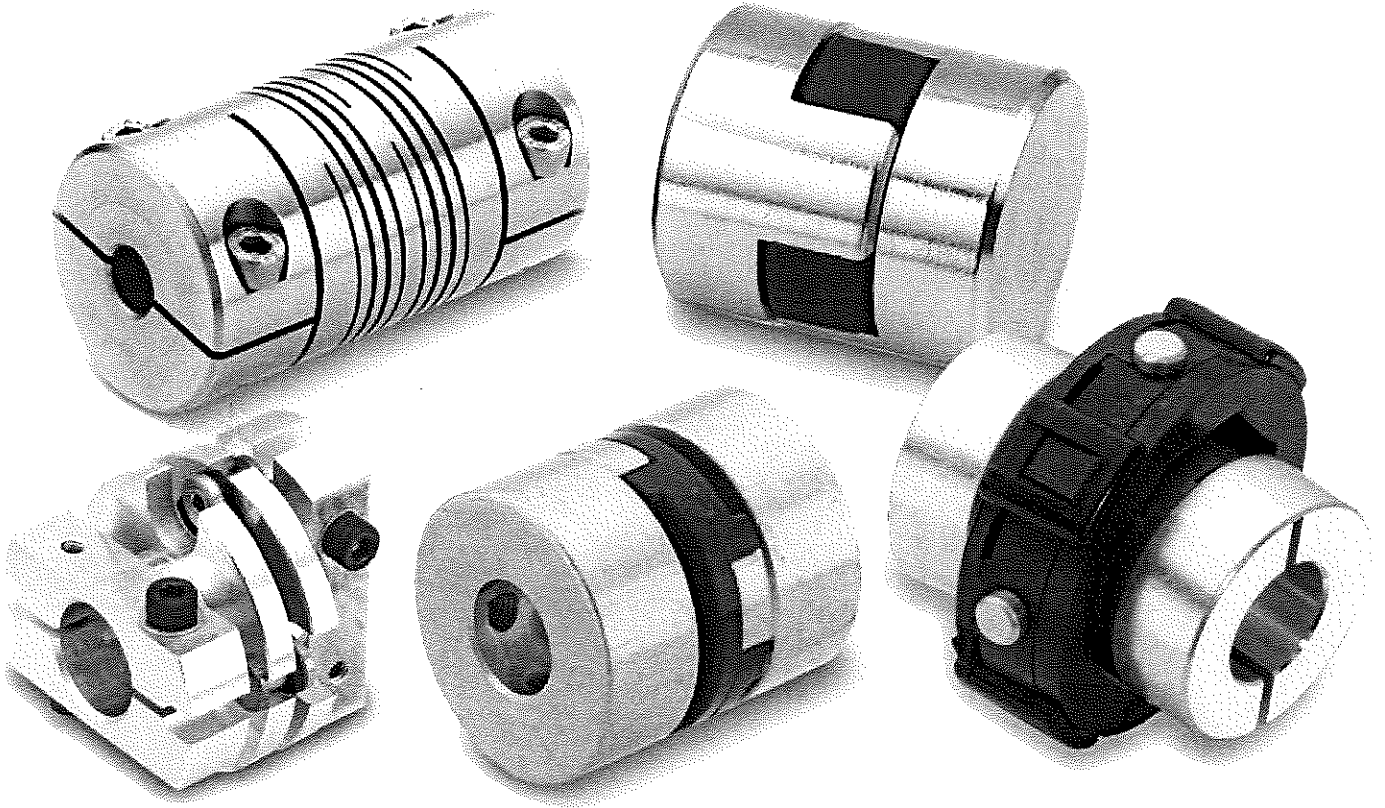




[\(/products/general-purpose-couplings\)](/products/general-purpose-couplings)

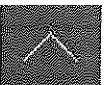
[General Purpose Couplings \(/products/general-purpose-couplings\)](/products/general-purpose-couplings)





[\(/products/motion-control-couplings\)](/products/motion-control-couplings)

**[Motion Control Couplings \(/products/motion-control-couplings\)](/products/motion-control-couplings)**

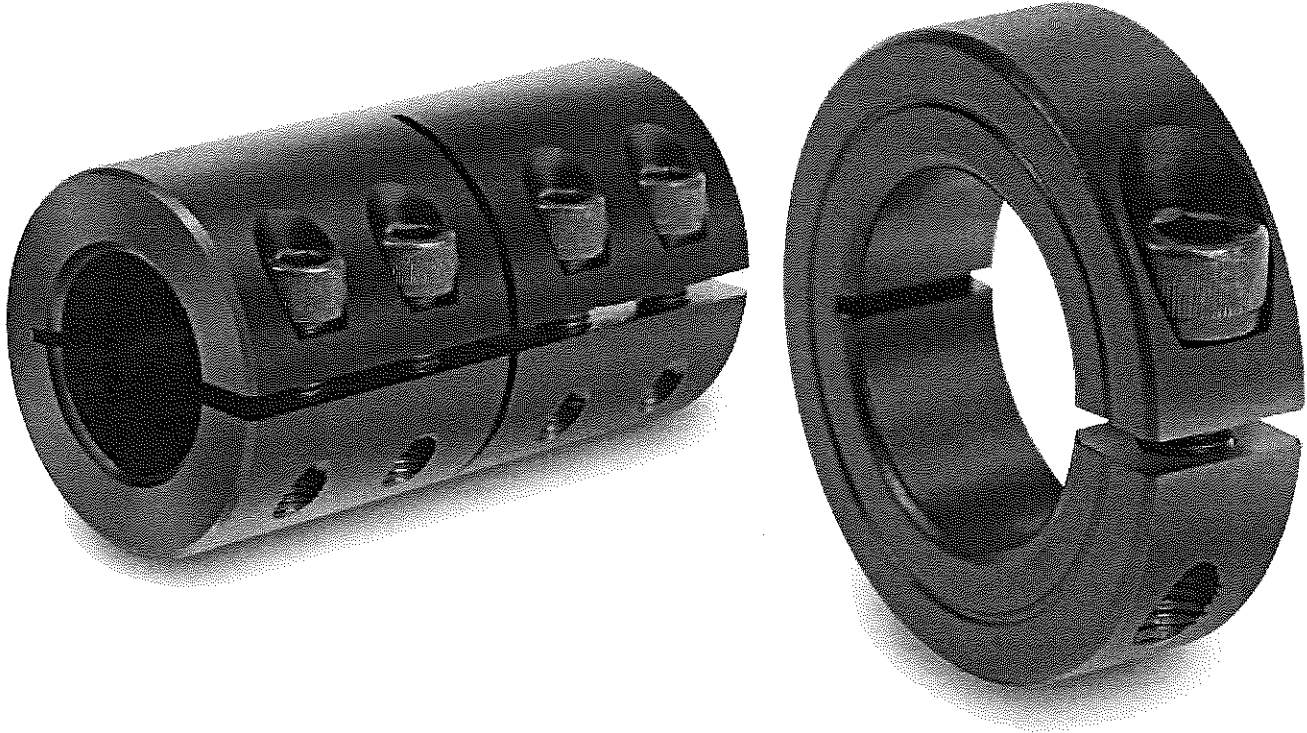




[\(/products/specialty-couplings\)](/products/specialty-couplings)

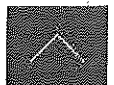
[Specialty Couplings \(/products/specialty-couplings\)](/products/specialty-couplings)

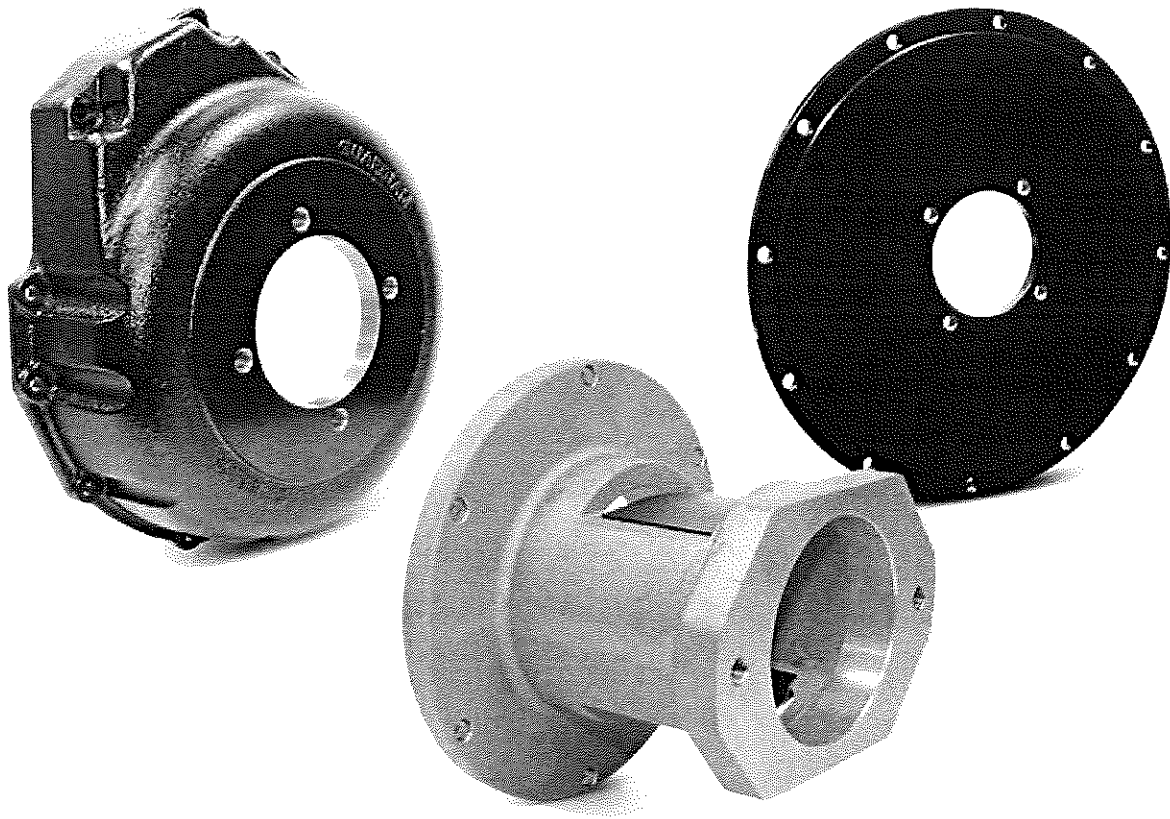




[\(/products/rigid-couplings-shaft-collars\)](/products/rigid-couplings-shaft-collars)

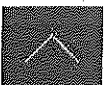
**[Rigid Couplings and Shaft Collars \(/products/rigid-couplings-shaft-collars\)](/products/rigid-couplings-shaft-collars)**

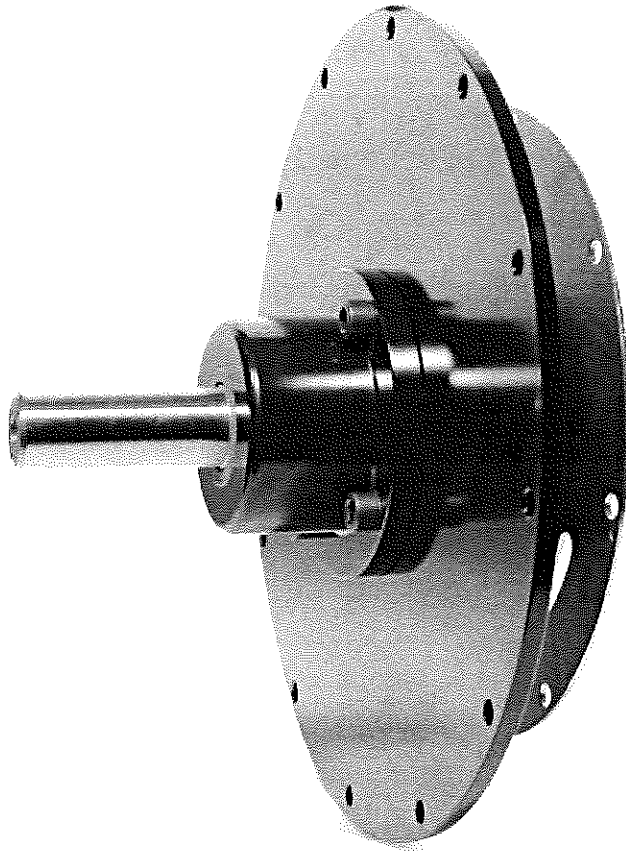




[\(/products/hydraulic-pump-mounts\)](/products/hydraulic-pump-mounts)

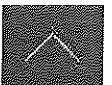
**[Hydraulic Pump Mounts \(/products/hydraulic-pump-mounts\)](/products/hydraulic-pump-mounts)**



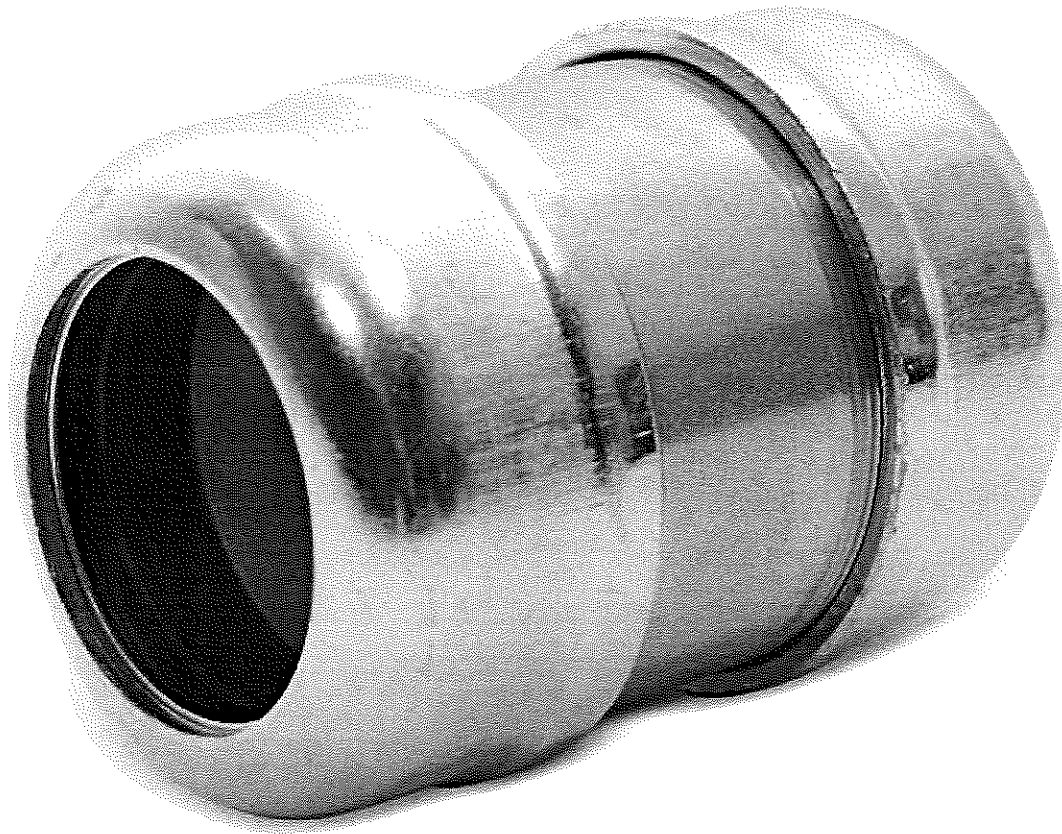


[\(/products/bearing-supported-stub-shafts\)](/products/bearing-supported-stub-shafts)

**[Bearing Supported Stub Shafts \(/products/bearing-supported-stub-shafts\)](/products/bearing-supported-stub-shafts)**







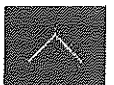
[\(/products/pipe-couplings\)](/products/pipe-couplings)

**[Quik-Joint Couplings \(/products/pipe-couplings\)](/products/pipe-couplings)**

---

## Guardian Couplings

[sales@guardiancouplings.com](mailto:sales@guardiancouplings.com) ([1-800-977-6141](tel:1-800-977-6141)) ([www.guardiancouplings.com](http://www.guardiancouplings.com))



---

[Home \(/\)](#)

---

[Application Profiles \(/products/application-profiles\)](#)

[Product Categories \(/products/categories/guardian-couplings/brochures\)](#)

[Product News \(/products\)](#)

---

2019 © Altra Industrial Motion Corp. ALL Rights Reserved. [Legal, Privacy Policy \(/legal/privacy-policy\)](#) | [SiteMap \(/sitemap\)](#) | [Contact \(/contact/contact-us\)](#)

(1)

