




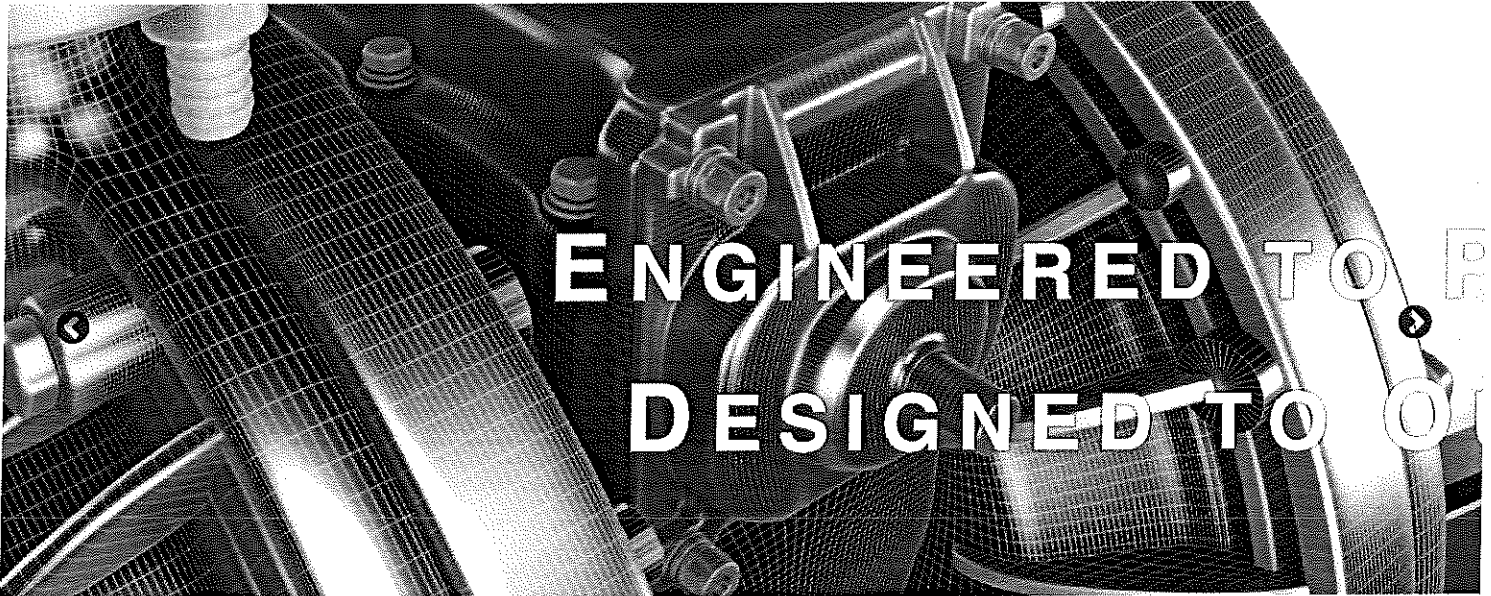
(<https://www.yamadapump.com/>)

Live Support | Distributor Login (<http://distributors.yamadapump.com/>)

 1-800-990-7867

PRODUCTS ▾ SPECIALTY ▾ ACCESSORIES ▾ HI-PURITY ▾ APPLICATIONS ▾ 

LITERATURE ▾ ABOUT ▾



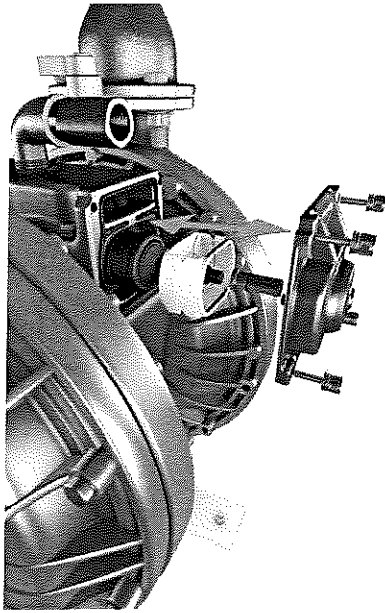
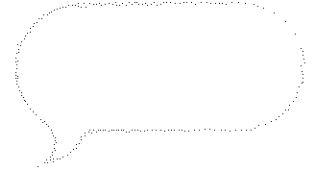
(<https://www.yamadapump.com/>)



## YAMADA PUMP: THE ULTIMATE INNOVATORS

Since its beginning in 1905, Yamada<sup>®</sup> has been at the forefront in developing the most complete line of air operated double diaphragm pumps (products/) (AODD) in the world. Unmatched in quality, durability and availability, there's no question as to why more and more industries are coming to Yamada for their pumping needs. As an ISO 9001 certified company, our engineering intellect and manufacturing processes are second to none. Yamada remains dedicated to the continuous

development of the most complete line of air operated diaphragm pumps available today. Our philosophy is quite simple. We offer the best product and support it with the best service. This is all backed by the lowest cost of ownership in the industry. We welcome the opportunity to earn your business.

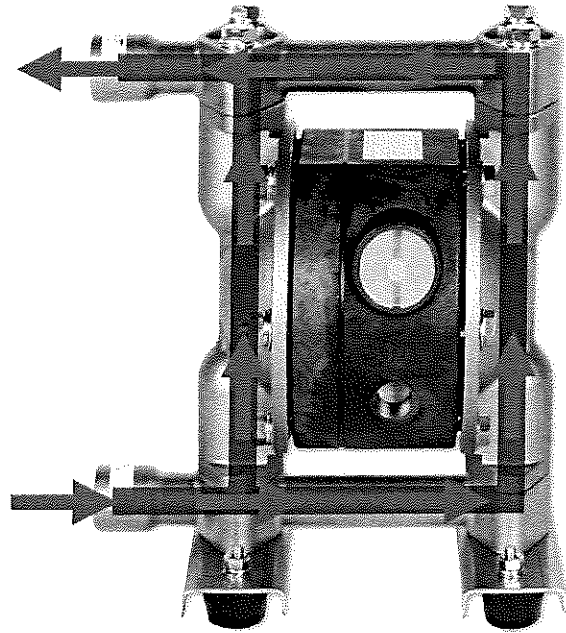


(patented-air-valve/)

**AIR VALVE TECHNOLOGY**

(patented-air-valve/)

Yamada air valve technology is the heart of the air-powered double diaphragm pump (patented-air-valve/) and determines reliability. Yamada holds three patents on its field proven valve and enjoys a superior reputation throughout the industry.



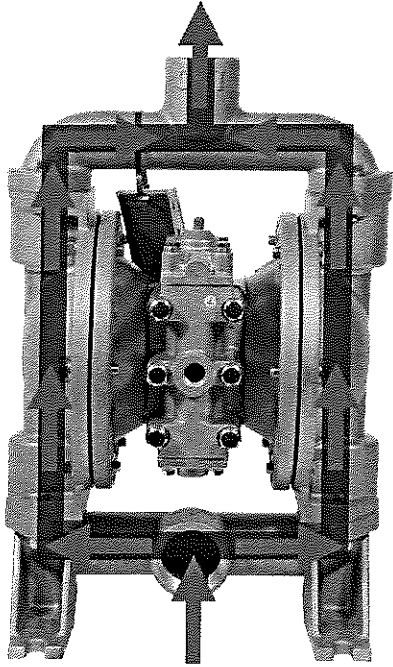
(products/)

**STANDARD SIDE PORT**

(products/)

Available in Polypropylene, Kynar, Acetal, Aluminum, Stainless Steel, Cast Iron. The Yamada Standard Side Port Diaphragm Pump Design (products/) has both the suction side and discharge side positioned on the same side.



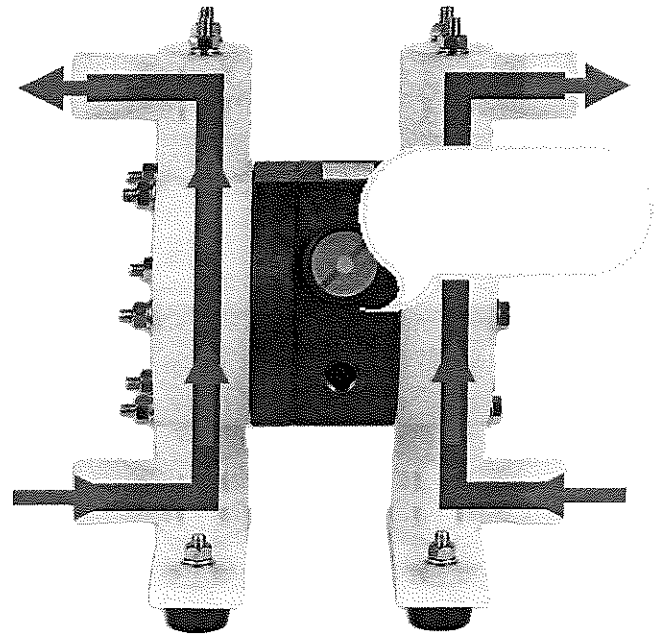


(ndp-32-series/)

**CENTER PORT OPTION**

(ndp-32-series/)

Available in Polypropylene, Aluminum, Stainless Steel.  
Center port diaphragm pumps (ndp-32-series/) have the suction side and discharge side orientated towards the front or back centered between the two ends of the pump.

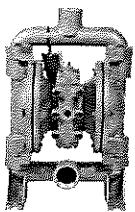


(split-manifold/)

**SPLIT MANIFOLD**

(split-manifold/)

By utilizing one pump, Yamada Split Manifold Diaphragm Pump (split-manifold/) offers a design in which the inlet and outlet ports can be configured to multiple combinations; ideal for pumping or combining two similar specific gravity fluids.



**DOUBLE DIAPHRAGM PUMPS**

Yamada Manufacturers air-powered double diaphragm add pumps.

(products/)

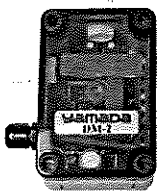
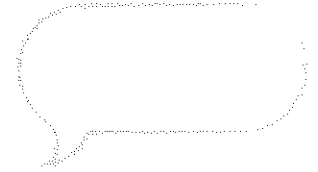




### **SPECIALTY DIAPHRAGM PUMPS**

Drum, Powder, High Pressure, UL, CSA, FDA double diaphragm pumps.

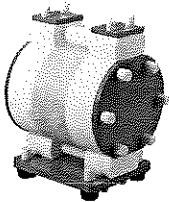
(specialty-diaphragm-pumps/)



### **DIAPHRAGM PUMP ACCESSORIES**

Yamada Manufacturers Diaphragm Pump Accessories.

(accessories/)



### **PTFE DOUBLE DIAPHRAGM PUMPS**

Yamada Manufactures virgin PTFE clean room diaphragm pumps

(ptfe/)

## **NDP PRODUCTS**

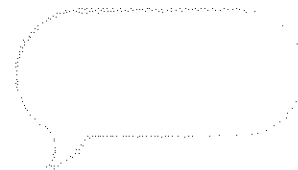
- ▶ General Application Pumps (products/)
- ▶ High-Purity Pumps (high-purity/)
- ▶ Specialty Pumps (specialty-diaphragm-pumps/)



- [Dampeners \(ad-10-25-40-50-dampeners-series/\)](#)
- [Controls \(liquid-level-controllers/\)](#)

## LITERATURE

- [General Literature \(general-literature/\)](#)
- [Maintenance Manuals \(maintenance-manuals/\)](#)
- [Accessories \(accessories/\)](#)
- [Bill of Materials \(bill-of-materials/\)](#)
- [NDP Data Sheets \(ndp-data-sheets/\)](#)



## INFORMATION

- [Yamada® Advantage \(yamada-advantage/\)](#)
- [Patented Air Valve \(patented-air-valve/\)](#)
- [Environmental Advantages \(environmental-advantages/\)](#)
- [Trial Pump Program \(trial-pump-program/\)](#)
- [Diaphragm Pump Operation \(diaphragm-pump-operation/\)](#)
- [Yamada® Grease Lubricator \(http://www.yamadalubricator.com/\)](http://www.yamadalubricator.com/)
- [Yamada® Ink Pump \(http://www.yamadainkump.com/\)](http://www.yamadainkump.com/)

## YAMADA AMERICA, INC.

955 East Algonquin Road

Arlington Heights, IL 60005 U.S.A.

Toll-free: 800-990-7867

Phone: 847-631-9200

Fax: 847-631-9273

E-Mail: [sales@yamadapump.com](mailto:sales@yamadapump.com) ([sales@yamadapump.com](mailto:sales@yamadapump.com))


© Copyright 2019 Yamada America, Inc. All Rights Reserved.

[Terms of Use \(terms-of-use/\)](#) | [Privacy Policy \(privacy-policy/\)](#) | [Sitemap \(html-sitemap/\)](#)

[f \(//www.facebook.com/pages/Yamada-America-Inc/160388120680717\)](https://www.facebook.com/pages/Yamada-America-Inc/160388120680717)

[t \(//twitter.com/Yamada\\_Pump\)](https://twitter.com/Yamada_Pump) [p \(//pinterest.com/yamadapump/\)](https://pinterest.com/yamadapump/)



 ([//youtube.com/yamadapump](https://youtube.com/yamadapump))  ([//www.instagram.com/yamadapump/](https://www.instagram.com/yamadapump/))  
 (<http://blog.yamadapump.com/>)

