



**SIMPLE. RELIABLE.  
EFFICIENT.**

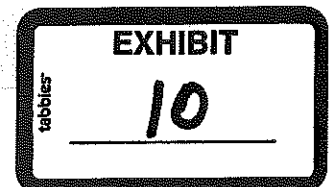
# PURSUIT OF EXCELLENCE

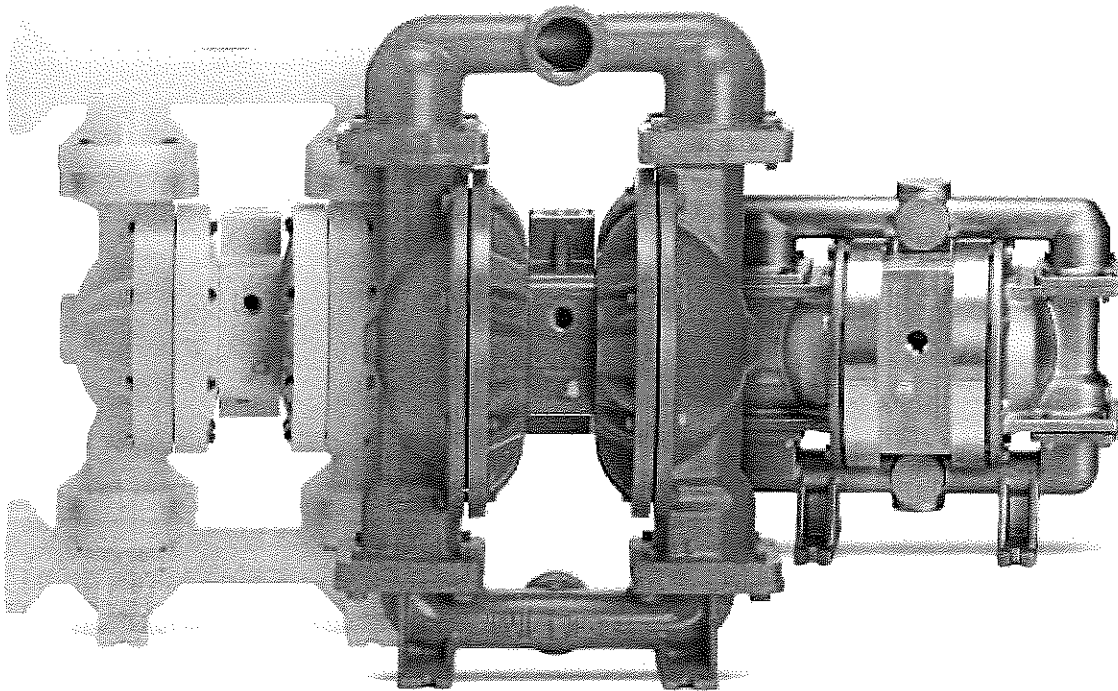
**IN 1955, JIM WILDEN REVOLUTIONIZED THE PUMPING INDUSTRY WHEN HE INVENTED THE AIR-OPERATED DOUBLE-DIAPHRAGM (AODD) PUMP.**

Since that time, Wilden® Pump & Engineering Company has forged a long-lasting legacy as the global leader in AODD pump technology. Thanks to a dedication to pioneering new innovations while providing unparalleled excellence in customer satisfaction, our family of AODD pumps is unmatched in reliability, durability, efficiency, and performance.

**ABOUT US ▶**

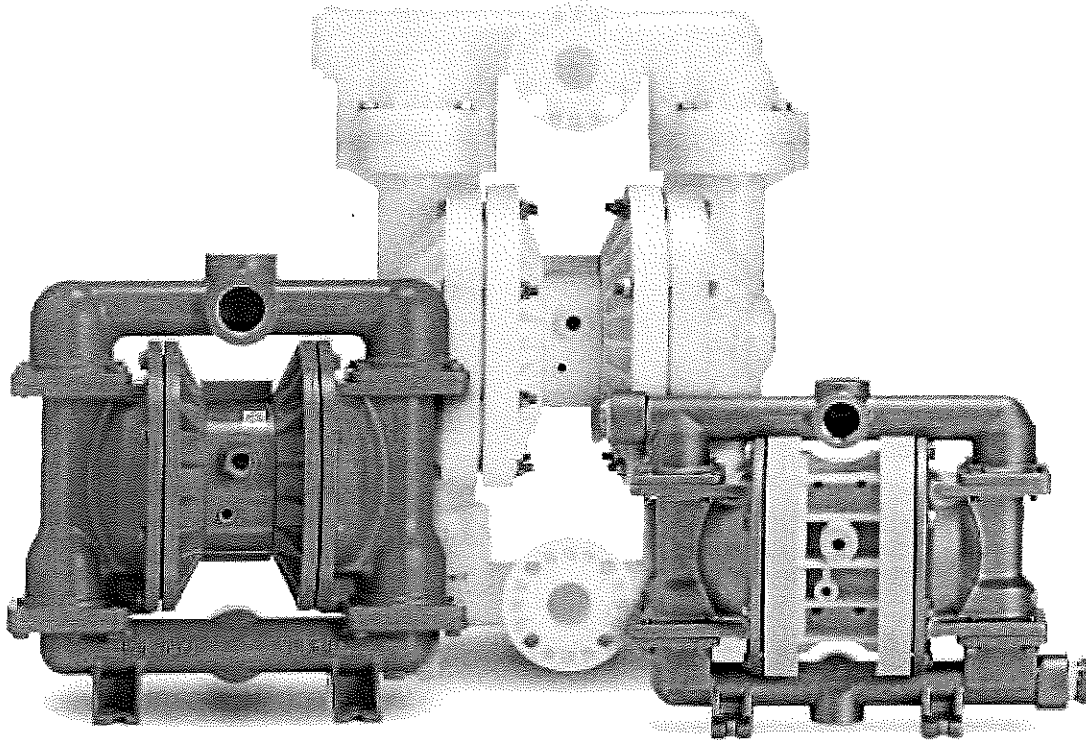
# OUR PRODUCTS





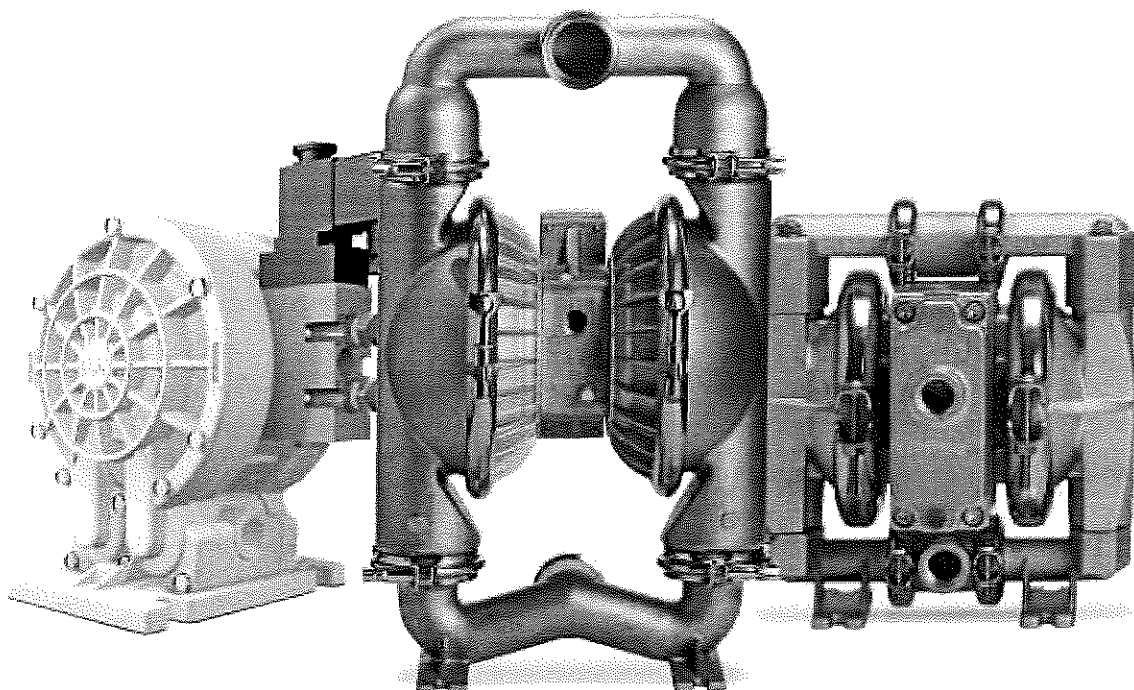
## Pro-Flo® SHIFT Series

The Wilden Pro-Flo SHIFT Series sets the standard in AODD pump performance thanks to a world-class design and industry-leading air valves that offer up to 60% energy savings and 34% greater flow rates when compared to competitive technologies.



## Pro-Flo® Series

As the industry's workhorse, the Wilden Pro-Flo Series AODD pump combines elegant simplicity with robust and reliable performance that end users have come to depend on for more than 20 years.



## Specialty Series

The Wilden Specialty Series consists of application-specific pumps designed specifically to enhance productivity, improve efficiency and increase safety in niche markets.

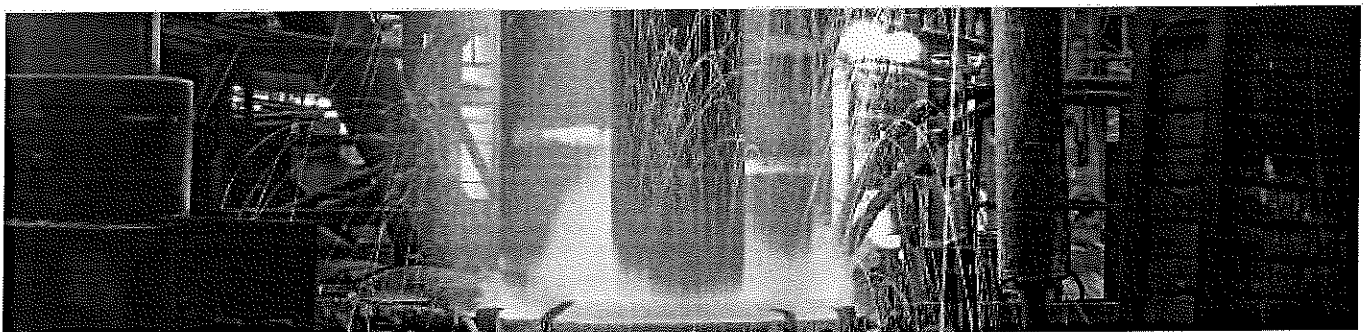
### Wilden Store

THE OFFICIAL ONLINE STORE FOR WILDEN AIR-OPERATED DOUBLE-DIAPHRAGM PUMPS.

The Wilden Store is an eCommerce solution that offers easy and quick access to our diaphragm pumps, surge dampeners and repair kits in a variety of markets.

 SHOP ONLINE

## OUR MARKETS

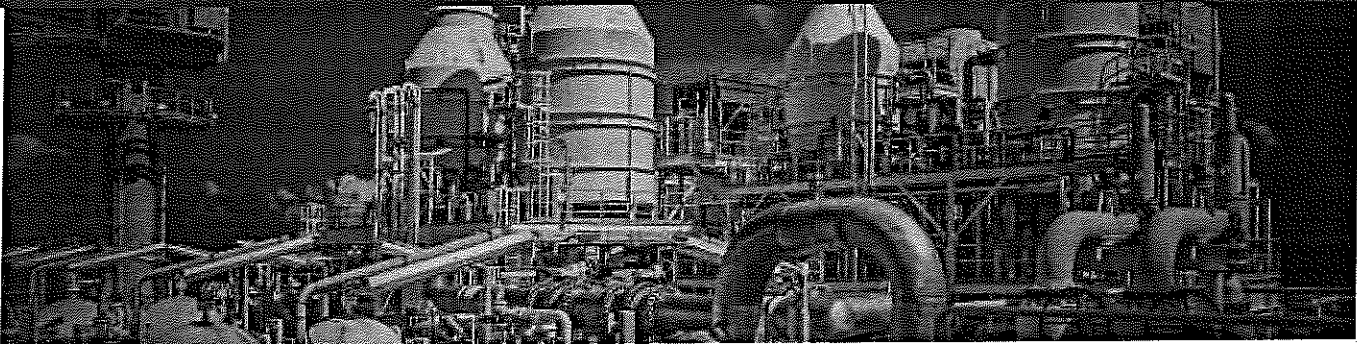






## General Industrial

Wilden Pro-Flo® SHIFT Series and Specialty Series Pumps are ready to optimize your production processes with proven, best-in-class technology that includes state-of-the-art air distribution systems (ADS) and a variety of industry-leading diaphragm options.

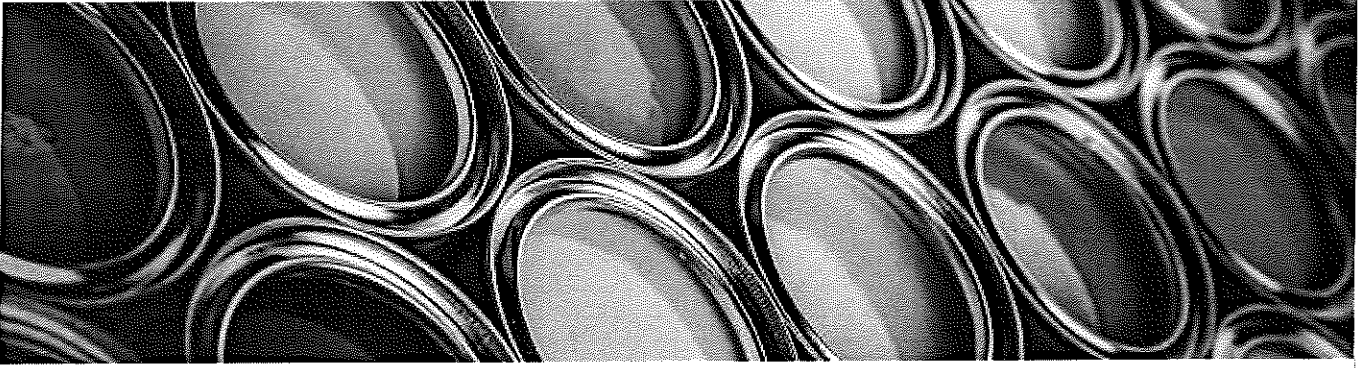


## Oil & Gas

No matter the activity, the Wilden line of Specialty Series Pumps has the solution you need improve energy efficiency, downtime and flow rates for all your your critical oil and gas applications.

[SEE OUR SOLUTIONS >](#)

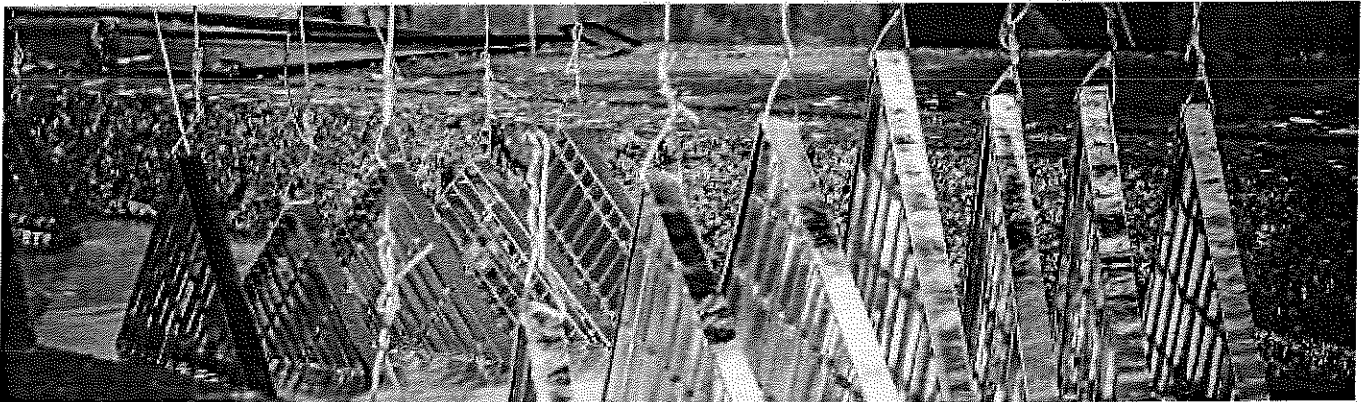




## Paints & Coatings

In order to even further help AODD pumps overcome the challenges in handling paint and coatings, Wilden offers the Pro-Flo® SHIFT Series pumps in a variety of innovative diaphragm options specially designed to eliminate leaks and downtime, and do it in the most energy-efficient, environmentally sensitive and bottom-line friendly way possible.

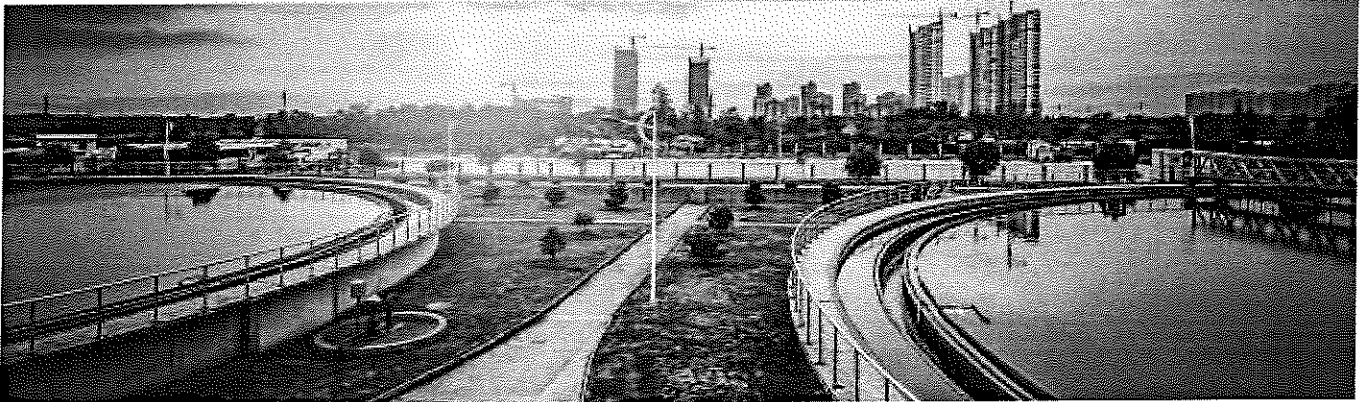
[SEE OUR SOLUTIONS ▶](#)



## Chemical Process

Wilden AODD pumps set the industry standard for chemical-processing applications thanks to their ability to provide the highest level of product containment while offering state-of-the-art technological advancements in air distribution systems (ADS) and diaphragm technologies.

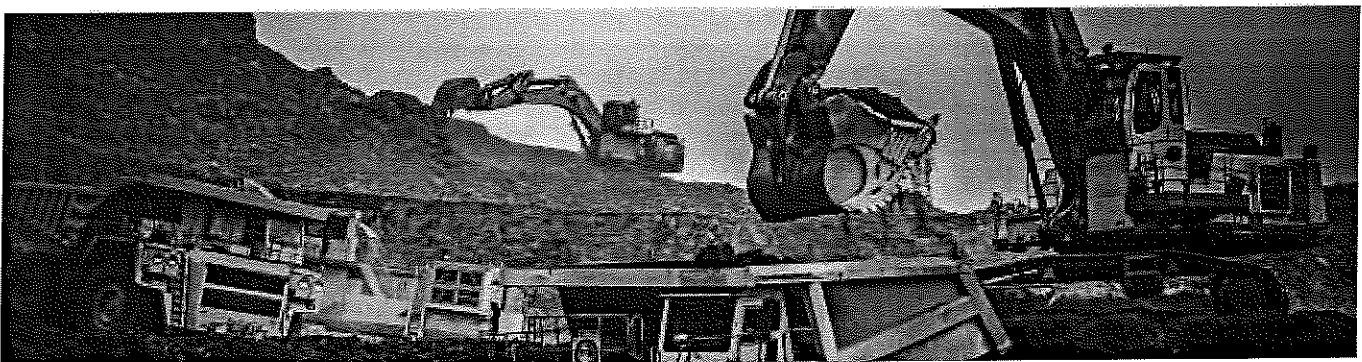
[SEE OUR SOLUTIONS ▶](#)



## Water and Wastewater

Wilden Pro-Flo® SHIFT Series and Specialty Series Pumps excel in the water and wastewater industry thanks to an array of operational benefits designed to optimize the process, decrease maintenance and provide superior transfer of fluids that may contain particulates or abrasive compounds.

[SEE OUR SOLUTIONS ▶](#)





## Mining

The Wilden line of Specialty Series Pumps are the ideal solutions for a wide variety of mining applications because they possess the design and materials of construction needed to handle the harsh conditions.

[SEE OUR SOLUTIONS ▶](#)

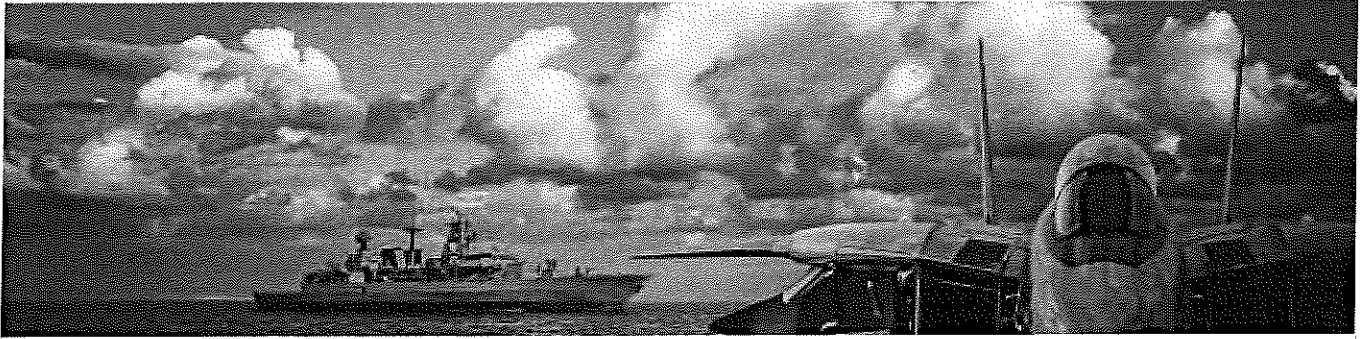


## Hygienic

Wilden further enhances the cleanability and product safety of AODD pumps by offering a line of Specialty Series Pumps that not only meet or exceed strict hygienic requirements, but utilize a one-of-a-kind design that optimizes performance and energy efficiency.

[SEE OUR SOLUTIONS ▶](#)

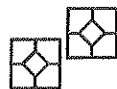
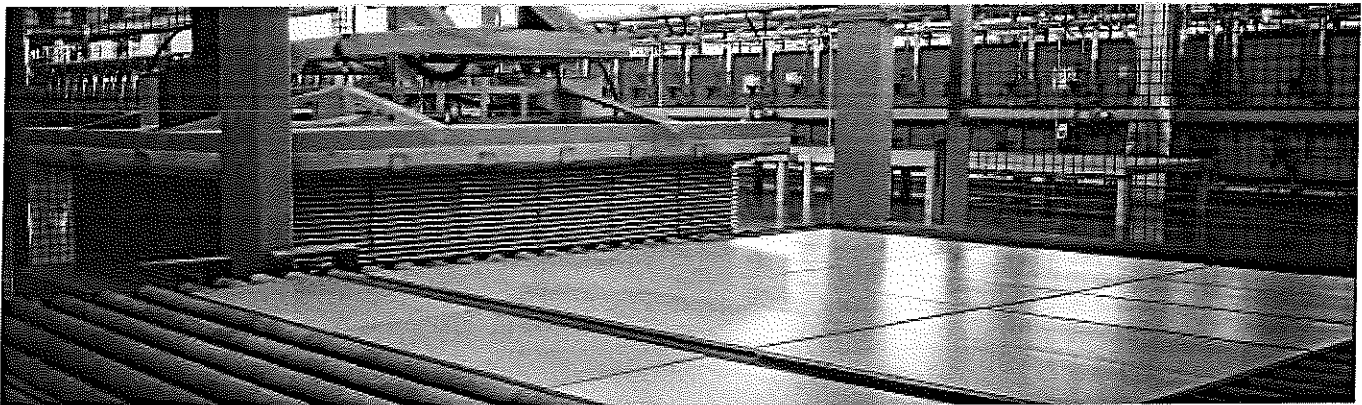




## Military and Marine

Wilden's experience in design-for-purpose pumps that meet the extreme demands of military and marine service has resulted in Specialty Series Pumps that incorporate specially designed component parts and features that offer improved fluid-handling capabilities and energy efficiency.

[SEE OUR SOLUTIONS >](#)



## Ceramics

AODD pumps from Wilden are available with a variety of design enhancements and with numerous diaphragm options that allow them to safely and efficiently handle abrasive and corrosive materials while eliminating leak points and downtime.

[SEE OUR SOLUTIONS ▶](#)

# NEWS & NOTABLES

[SEE ALL NEWS ▶](#)

## FEATURED PRODUCT

### Wilden® Launches Velocity Series AODD Pumps

Wilden® is pleased to announce the availability of its new 13 mm (1/2") Velocity Series AODD pump.

[LEARN MORE ▶](#)

[WATCH VIDEO ▶](#)

## FEATURED PRODUCT

## Wilden® Releases Chem-Fuse Diaphragms for Industrial Applications

Wilden® is pleased to announce the release of its new Chem-Fuse diaphragms specifically designed for industrial applications.

[LEARN MORE ▶](#)

## SPOTLIGHT

## Buyer Beware: How To Recognize Pirated AODD-Pump Parts

Using knockoffs masquerading as genuine Wilden parts can compromise pump performance and safety.

[LEARN MORE ▶](#)



**COMPARISON CENTRAL**

## **Wilden vs. Finish Thompson**

Wilden® Pro-Flo® SHIFT Metal vs. Finish Thompson FTI Air Metal You be the judge! There are many AODD pumps out there. So before you buy, review the following head-to-head comparison designed to help you find the best pump suited for your application.

**LEARN MORE ▶**

### **GET IN TOUCH**

22069 Van Buren Street  
Grand Terrace, CA 92313  
USA

 (909) 422-1700

 wilden@psgdover.com



Wilden on LinkedIn

### **EMAIL UPDATES**

 **SUBSCRIBE**

### **PSG BRANDS**

Abaque

All-Flo

Almatec

Blackmer



Ebsray

EnviroGear

Griswold

Mouvex

Neptune

Quattroflow

Wilden

[DISTRIBUTOR PORTAL →](#)

a  company

© 2019 PSG. All Rights Reserved.

**TRANSPARENCY DISCLOSURE**

**PRIVACY POLICY**

**CODE OF CONDUCT**