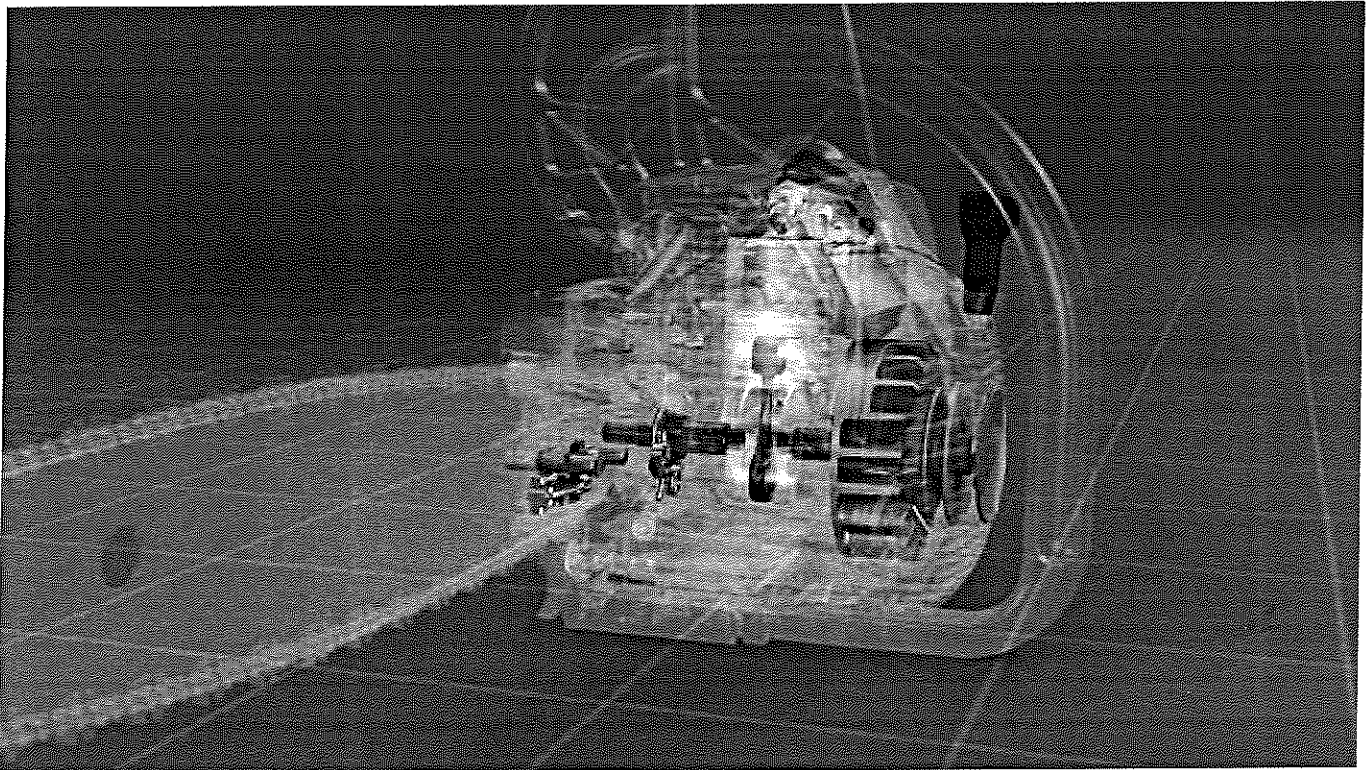




## PRODUCTS



Carburetors [⤵ \(/product-ap241.html#Carburetors\)](/product-ap241.html#Carburetors)

Fuel management systems [⤵ \(/product-ap241.html#Fuel\)](/product-ap241.html#Fuel)

Precision mechanical parts [⤵ \(/product-ap241.html#parts\)](/product-ap241.html#parts)

Accessories [⤵ \(/product-ap241.html#Accessories\)](/product-ap241.html#Accessories)

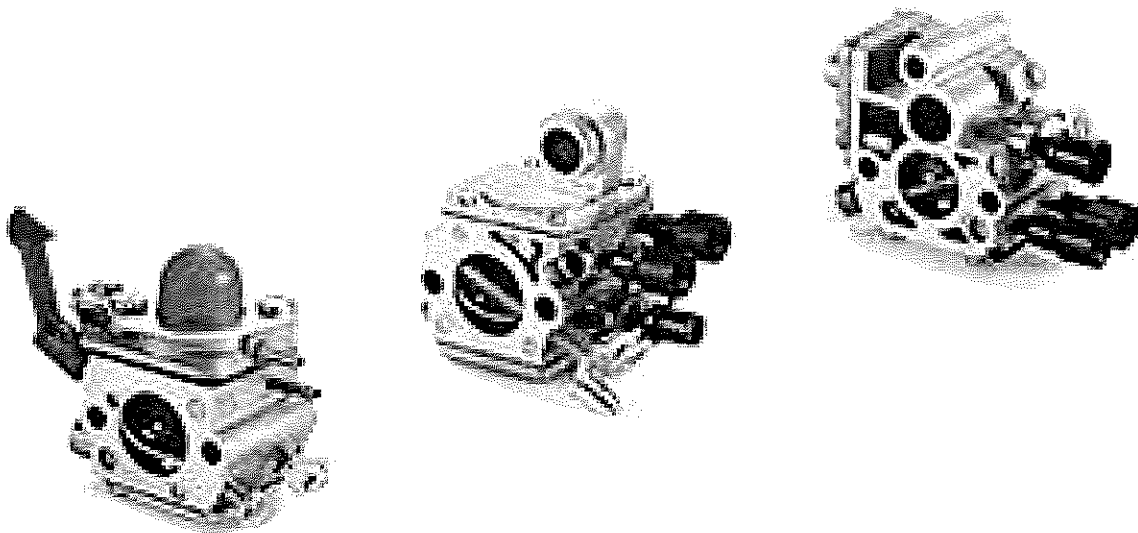
ZAMA is renowned for diaphragm carburetors for the outdoor machine industry worldwide. ZAMA diaphragm carburetors are widely used in chainsaws, brush cutters, clearing saws, hedge trimmers, special harvesters, earth auger, cut-off machines, and concrete cutters etc. With more than 60 years of know-how in the industry, we always

offer reliable solutions to our customers, from specialized high-tech-tools for professionals to cost competitive mass-markets. Together with our partners Prutex (<https://www.prutex.com>) and Selettra (<http://www.selettra.com>), we supply outdoor machine industry with matched ignition and flywheel and carburetors systems.

Besides from diaphragm carburetors, ZAMA also supplies various precision machining parts, such as crank shaft, input shaft, tensioning screw, worm gear units, gear boxes and similar parts with excellent quality for the outdoor machine industry .

Electronic parts is another important product line for ZAMA. The first solenoid valve product we developed for our longterm partners has been released for market. ZAMA will have more electronic parts available in the next few years.

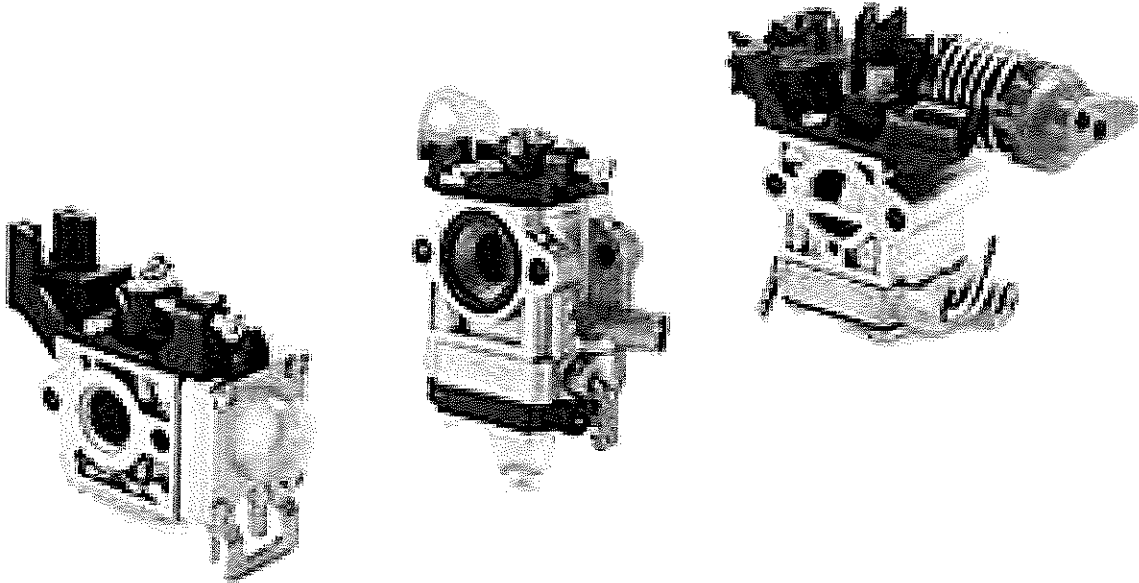
## CARBURETORS





# Butterfly carburetor

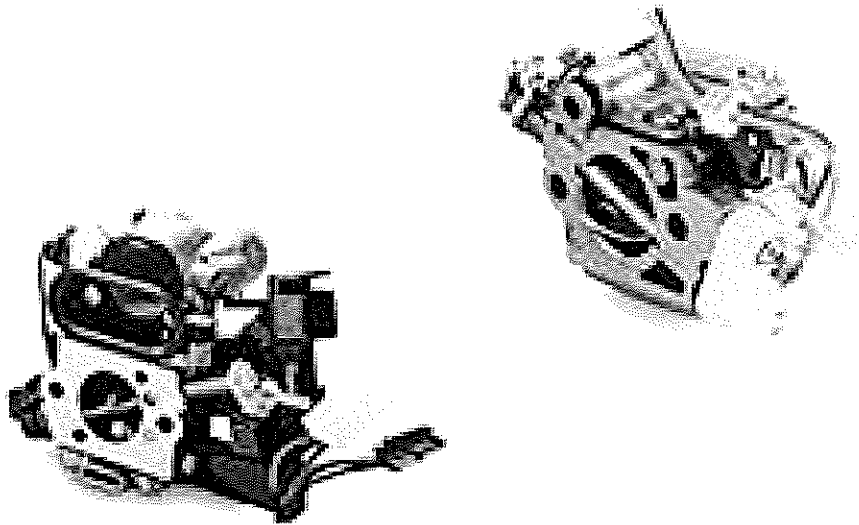
(index.html)



## Rotary carburetor



(index.html)



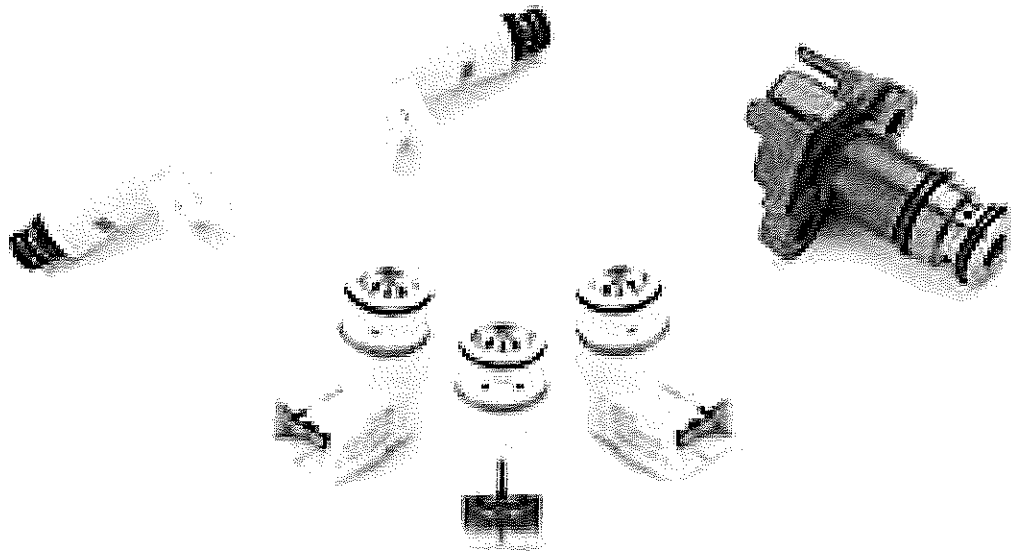
## Electronic carburetor

We design and manufacture various diaphragm carburetors for forest and garden machinery up to 100cc to your individual requirements.

# FUEL MANAGEMENT SYSTEM



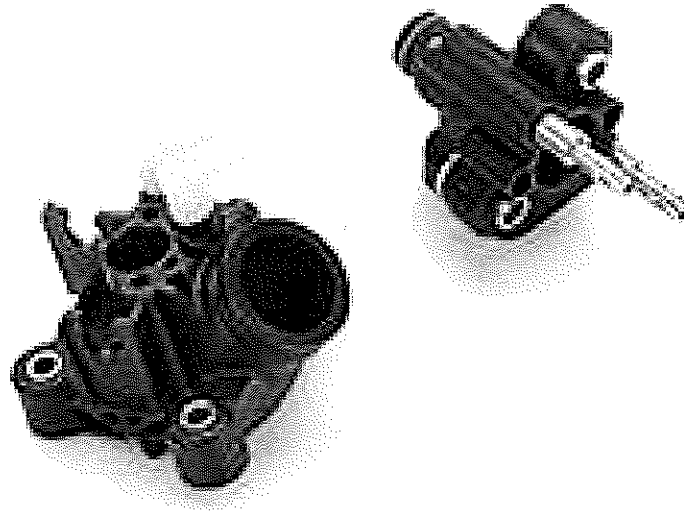
(index.html)



Solenoid valve



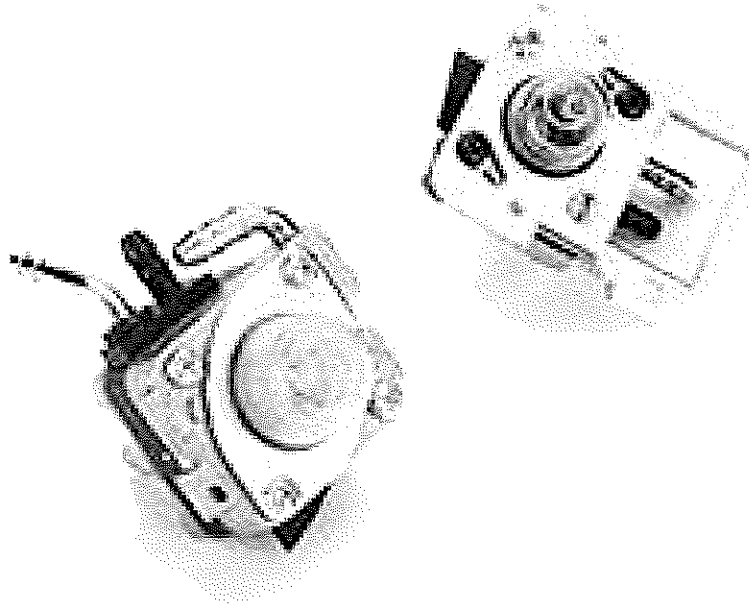
(index.html)



Valve holder



(index.html)



Injection pump

## PRECISION MECHANICAL PARTS



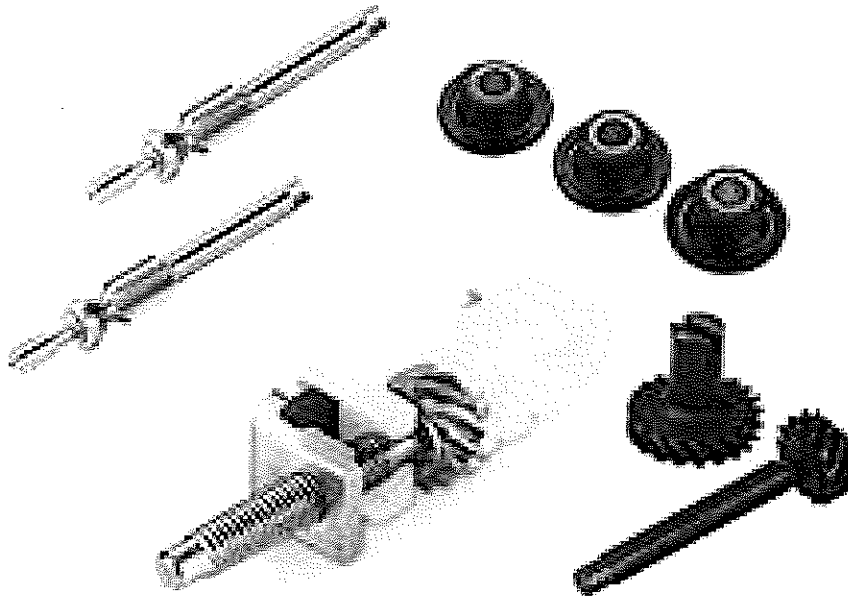
Oil pump



 (index.html)



Shaft

[\(index.html\)](#)

## Geared part

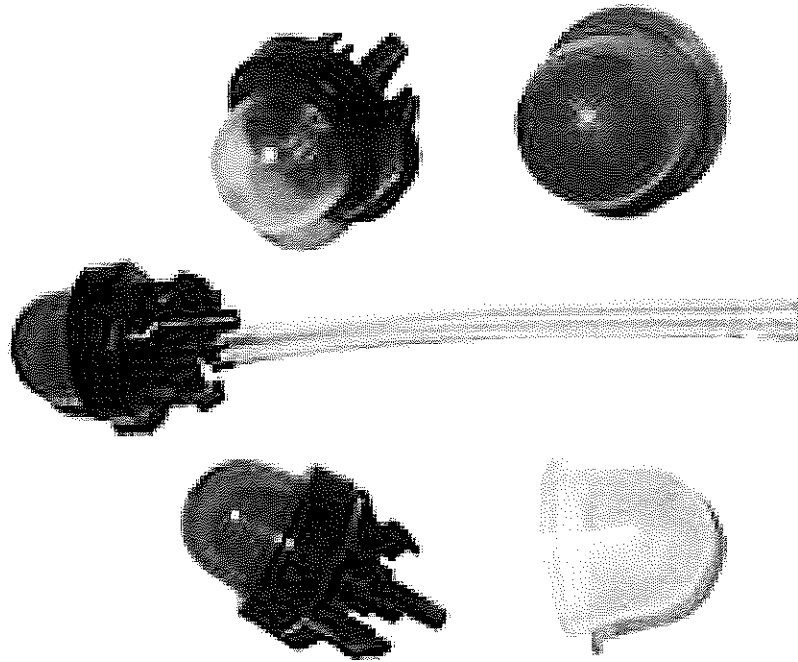
We have a large range of high precision machines including CNC controlled 5-axis machining centres with automated loading/unloading system, 3~6 axis CNC lathe machines for metal parts up to 600mm, grinding machines swing up to  $\Phi 350$  mm and accuracy up to 0.001mm, hobbing and gear rolling machines, lapping machines and in-house-made dedicated machines.

In addition we have capacity for milling, drilling, tapping, slotting, plus many auxiliary operations.

## ACCESSORIES



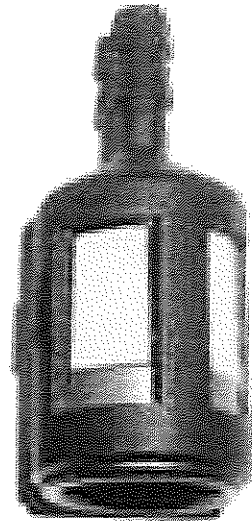
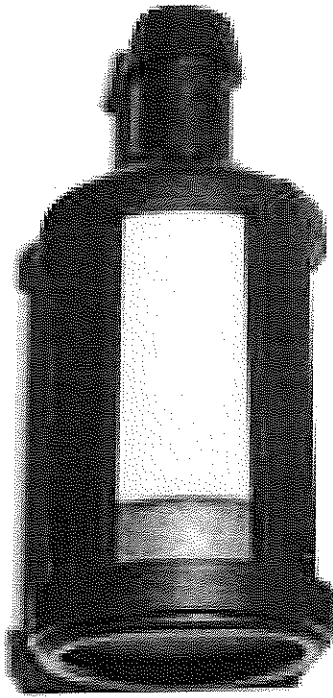
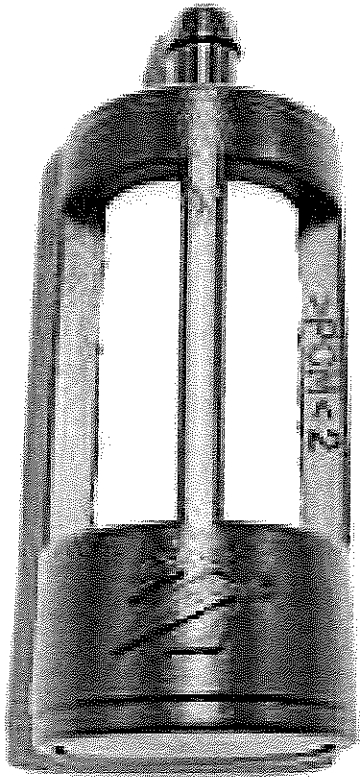
(index.html)



Primer



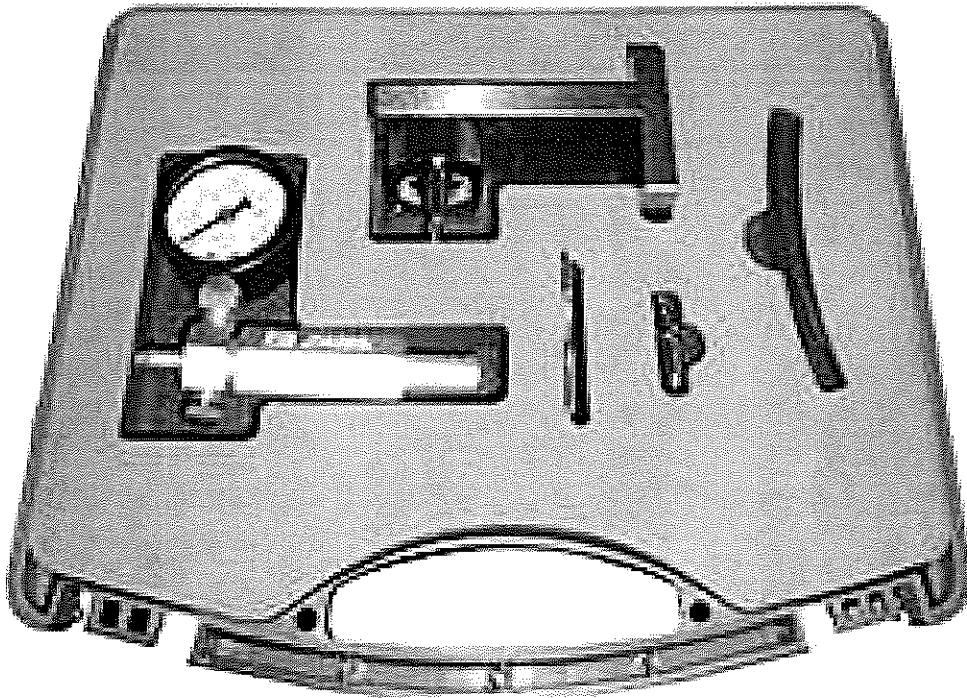
(index.html)



Filter



(index.html)



## Maintenance kit

You want to know more about ZAMA products?

Please contact us (</contact-c196-1.html>) and we will develop the best solution specially for you according to your needs.

[Site Notice \(/COPYRIGHTNOTICE-c59.html\)](/COPYRIGHTNOTICE-c59.html) | [Privacy \(/PRIVACYPOLICY-c60.html\)](/PRIVACYPOLICY-c60.html) | [Terms of Use \(/ZAMATERMSOFUSEPOLICY-c61.html\)](/ZAMATERMSOFUSEPOLICY-c61.html) | [Sitemap \(/aboutus-map196.html\)](/aboutus-map196.html)

Copyright © 2018 Zama. All rights reserved.