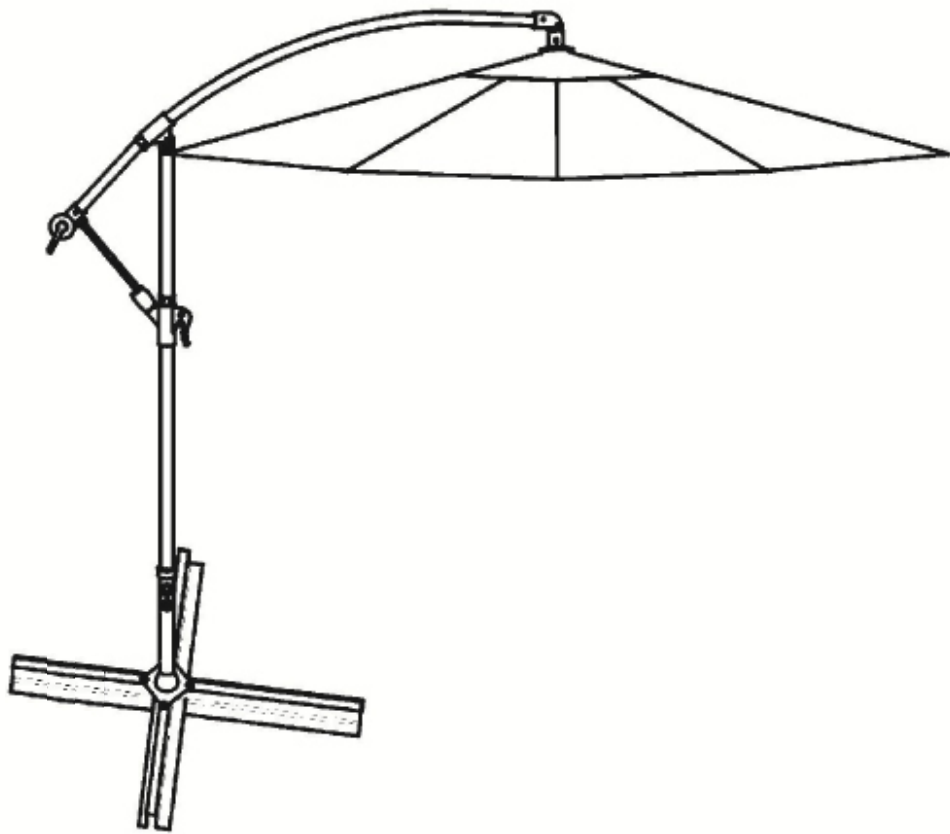




PROJECT ONE

10 Foot Offset Patio Umbrella





10 Foot Offset Patio Umbrella



SAFETY INFORMATION

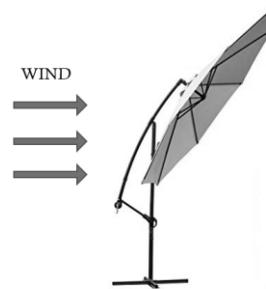
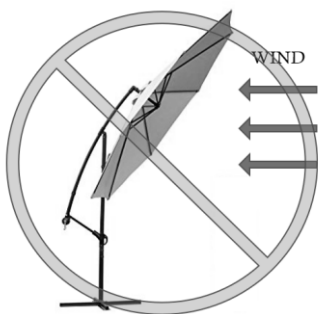
Please read this manual in its entirety before attempting to assemble, install or use the product.

WARNING

- Assemble the product on a flat, non-slip and non-abrasive surface, such as carpet to avoid damage to the product.
- Use care when handling the product, it is heavy and may require two adults for safe assembly and operation.
- **ALWAYS** crank the umbrella to the closed position during windy weather conditions.
- This outdoor patio umbrella is designed and made for personal, non-commercial use.
- Keep children away from the packaging materials. There is a risk for suffocation.
- The product is not a toy or a tool. Children under the age of 16 should not assemble, remove or operate this product.





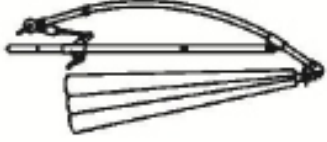
CAUTION

- **DO NOT** leave the umbrella open directly facing the wind, this can cause damage to the umbrella and injury to those around it.
- **ALWAYS** take down the umbrella when not in use, during high winds, gusting winds or rain.



10 Foot Offset Patio Umbrella

Parts List

		
<p>A X2</p>	<p>B X1</p>	<p>C X2</p>
 <p>D X4</p>	 <p>E X1</p>	

PART	DESCRIPTION	QUANTITY
A	Upper and Lower Brackets	2
B	Base Tube	2
C	Tightening Knob	2
D	Bolts	4
E	Umbrella	1

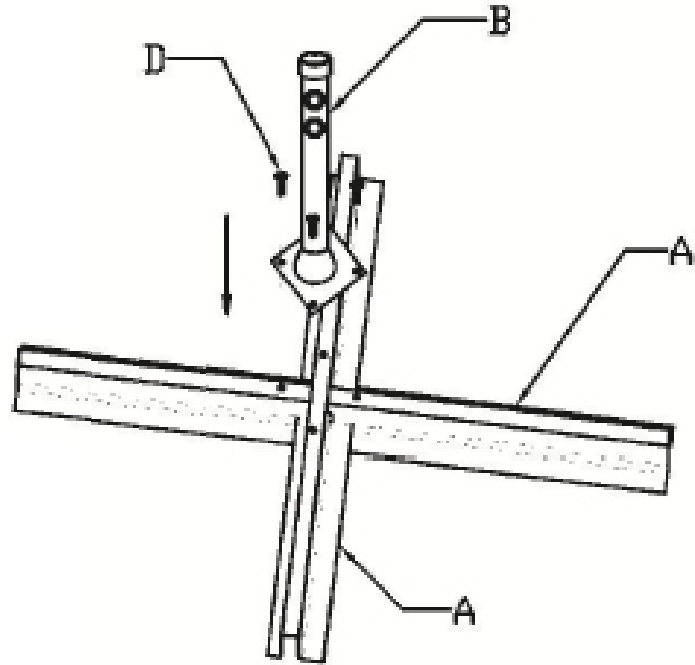
10 Foot Offset Patio Umbrella

ASSEMBLY INSTRUCTIONS

Step 1:

- Place the upper bracket (A) directly into the center of the lower bracket (A), as shown in **Figure 1**.
- Attach the base tube (B) to the now connected, upper and lower brackets (A) using the four bolts (D). **Note:** Make sure you align all the holes and inserting bolts finger tight before securing snugly

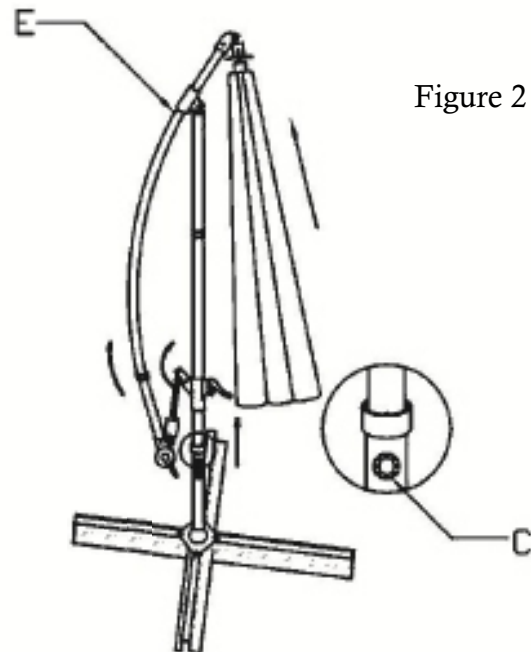
Figure 1



Step 2:

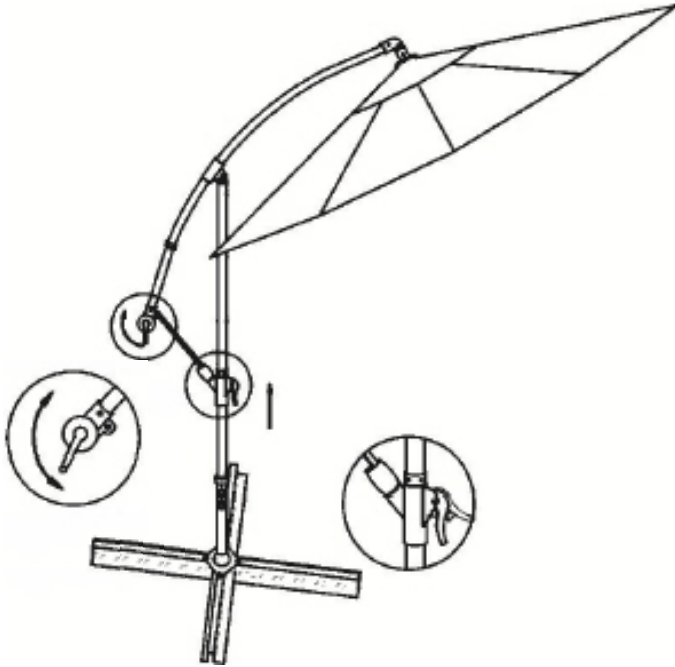
- Carefully insert the umbrella (E) onto the base tube (B) and fix them together by screwing the tightening knobs (C) as shown in **Figure 2**.

Figure 2



10 Foot Offset Patio Umbrella

Figure 3



ASSEMBLY INSTRUCTIONS - continued

Step 3:
Release the handle by pulling it upward and push the umbrella and handle up the pole. Once you are at the desired height, depress the handle to lock into place.

Step 4:
Crank the umbrella open and turn the opposite way to close umbrella after use.

Step 5:
To adjust the tilt on the umbrella, you can raise the handle to unlock the umbrella, lower or raise the umbrella until you find the position that provides you maximum shade.



CARE & MAINTENANCE

- Wash with a mild soap and water solution. Rinse and dry completely.
- Do not use strong detergent or abrasive cleaners
- Store in a cool, dry location away from sunlight when not in use.