

NATURAL LIGHTING SOLUTIONS



WT
SHADE® 

PRODUCT CATALOG
2019

NATURAL LIGHTING SOLUTIONS CATALOG 2019

TABLE OF CONTENTS

ABOUT OUR COMPANY

Shading 101	A2
Color Coordination Guide	A5
Building A Shade	A6
Where to Buy	A7

HeliaRISE® MANUAL SHADING SYSTEMS

Manual Shading Systems Guide	B2
HeliaRise Child Safety	B3
<u>HeliaRise H100 Systems:</u>	
H100 SoloMount	B4
H100 Slim	B6
H100 Piggyback SoloMount	B8
<u>HeliaRise H200 Systems:</u>	
H200 SoloMount	B10
H200 Slim	B12
H200 Piggyback SoloMount	B14
<u>HeliaRise H300 Systems:</u>	
H300 SoloMount	B16
H300 Slim	B18
SAM (Spring Assist Mechanism)	B20
Chain Selection	B21

MotoRISE® MOTORIZED SHADING SYSTEMS

Motorized Shading Systems Guide	C2
MotoRise Child Safety	C3
<u>MotoRise Low Voltage Systems:</u>	
MR150 SoloMount	C4
MR150 Slim	C6
MR150 Piggyback SoloMount	C8
<u>MotoRise Line/High Voltage Systems:</u>	
MR250 SoloMount	C10
MR250 Slim	C12
MR250 Piggyback SoloMount	C14
MR250 Piggyback Slim	C16
<u>MotoRise Heavy Duty Systems:</u>	
MR350 Slim	C18
<u>Motor Communication Guides:</u>	
Motor Reference Guide	C20
RTS® Communication (Low Voltage)	C21
RTS® Communication (Line Voltage)	C22
Digital Communication (Line Voltage)	C24
Wired Communication (1-2 Motors)	C26
Wired Communication (3+ Motors)	C28

OUR SPECIALTY SOLUTIONS

Specialty Shading Systems Guide	D2
Wrapped Frame Fixed Panel	D3
<u>BottomRise Shading Systems:</u>	
BottomRise U200 SoloMount System	D4
BottomRise MU150 SoloMount System	D6
<u>AeRise Shading Systems:</u>	
AeRise AR250 SoloMount System	D8
AeRise AR250 Slim System	D10
AeRise AR350 Slim System	D12

OUR SHADING ACCESSORIES

Fascia	E2
Shading Enclosures	E4
Light Blocking Accessories	E7
Guide Systems	E10
Hembar Styles	E13

OUR FABRIC SELECTION

EcoFabrix® Quick Selection Guide	F3
Mermet® Quick Selection Guide	F4
Sample Program	F6

GENERAL INFORMATION

Measurement Instructions	G2
Guidelines for Printed Fabric	G4
Artwork Placement Form	G5
Warranty Information	G6
Order Form (Example)	G8
<u>Installation Instructions:</u>	
HeliaRise, MotoRise & Accessories	G9
BottomRise	G17
<u>Basic Motor Programming Instructions:</u>	
RTS	G23
Wired	G29
Digital	G30
Care & Maintenance	G34
Glossary of Shading Terms	G35

CONTACT US



CALL US AT (877) 294-3580

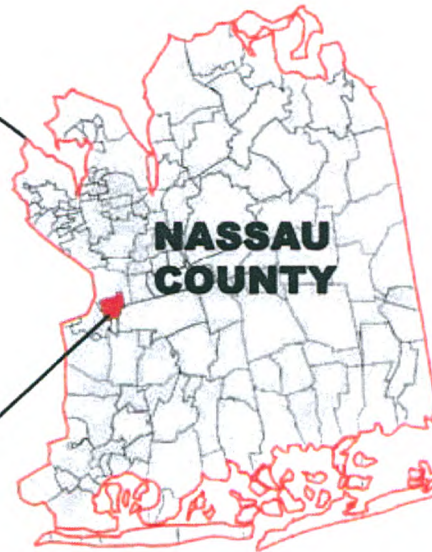
FAX US AT (516) 294-0444

CUSTOMER SERVICE HOURS:
MONDAY-FRIDAY
8:30 AM-5 PM EST

PICK UP/DELIVERY HOURS:
MONDAY-FRIDAY
8:30 AM-12 PM EST
1 PM-4:30 PM EST



WT SHADE NATIONAL HEADQUARTERS
77 SECOND AVENUE
GARDEN CITY PARK, NY 11040



EMAIL CONTACTS

REQUEST GENERAL INFO:	INFO@WTSHADE.COM
SPEAK TO A SALES REPRESENTATIVE:	SALES@WTSHADE.COM
SPEAK TO CUSTOMER SERVICE: CHECK THE STATUS OF AN EXISTING ORDER:	CUSTOMERSERVICE@WTSHADE.COM
REQUEST TECHNICAL SUPPORT:	TECHSUPPORT@WTSHADE.COM
REQUEST A QUOTE:	QUOTES@WTSHADE.COM
PLACE A NEW ORDER:	ORDERS@WTSHADE.COM
MAKE A BILLING INQUIRY: PAY A BILL: REQUEST AN ACCOUNT STATEMENT:	ACCOUNTING@WTSHADE.COM
REQUEST A SAMPLE:	SAMPLES@WTSHADE.COM



Find us on the web @
WTShade.com



WHERE TO BUY



ABOUT

WT Shade is a wholesale, to-the-trade manufacturer, meaning we supply our products to dealers and installers all around the country, instead of directly to the public. We have a network of product representatives in each state who can help direct you to the right place, be that a local dealer to help you acquire our products for your personal and professional projects, assisting with opening your account if you are in the trade, or by acting as project manager to assist with larger projects you may be designing or engineering. If you are still not sure, you can contact WT Shade customer service and we will be happy to help!

(T) 877-294-3580 • (F) 516-294-0444 • (E) info@WTShade.com • 77 Second Avenue • Garden City Park, New York 11040

New Orleans & Southeastern Louisiana

Bell & McCoy
3527 Ridgelake Drive
Metairie, LA 70002
(504) 284- 3442
www.bellandmccoy.com

Houston, Austin, & Southern Texas

Bell & McCoy
7210 North Loop East
Houston, TX 77028
(713) 223- 4146
www.bellandmccoy.com

North Carolina & South Carolina

Carolina Controls Group
265 Sloop Point Loop Rd
Hampstead, NC 28443
(910) 270- 3736
www.ccgnc.com

Kansas & Western Missouri

Convergence Partners, Inc.
103 East 18th Ave
North Kansas City, MO 64116
(816) 581- 6300
www.convergerep.com

Wisconsin & the Upper Peninsula of Michigan

ERI (Engineered Representation Inc)
1320 N Lake Street
Neenah, WI 54956
(920) 751- 3922
www.engineeredrepinc.com

Eastern Tennessee

FSA Lighting
618 Grassmere Park Rd #18
Nashville, TN 37211
(615) 242- 5050
www.fsalighting.com

Iowa, Nebraska & Western Illinois

Integrated Sales Inc.
527 Main Street
Van Meter, IA 50261
(515) 528- 7463
www.int-sales.com

Western Pennsylvania & West Virginia

LaFace & McGovern
5330 Enterprise Blvd
Bethel Park, PA 15102
(412) 854- 3200
www.laface-mcgovern.com

Minnesota, North Dakota, South Dakota & Western Wisconsin

MRL Company
641 Fairview Ave North
St. Paul, MN 55104
(612) 331- 2457
www.mrlcompany.com

Maryland, DC & Virginia

One Source Associates
911 Guilford Rd
Columbia, MD 21046
(301) 621- 8866
www.onesa.com

Northern Illinois & North West Indiana

PG Enlighten
500 Quail Ridge Drive
Westmont, IL 60559
(847) 228- 1199
www.pg-enlighten.com

Eastern Pennsylvania & New Jersey

Synergy Electrical Sales, Inc
95 Canal Rd
Fairless Hills, PA 19030
(215) 428- 1130
www.synergielectricalsales.com

New England

Yusen Associates
44 Sixth Rd.
Woburn, MA 01801
(781) 935- 0020
www.yusen.com

Don't see your area listed above?

Don't worry! We have someone in your area that can help you! Contact WT Shade today, or check our website for more information about our ever expanding sales force!



MotoRISE® MOTORIZED SHADING SYSTEMS GUIDE

Garden City Park, New York 11040

MOTORISE®

(T) 877.294.3580 • (F) 516.294.0444 • (E) info@WTShade.com • 77 Second Avenue

MotoRISE MOTORIZED SHADING SYSTEMS	IF WIDTH IS UP TO ____ THEN LENGTH CAN BE UP TO ____	MULTI- BAND OPTION	MORE INFO ON PAGE
	60"	84"	108"	132"	156"	180"	192"			
MR150 SoloMount®	162"	162"	102"	90"				◆	C4	
MR150 SLIM	162"	162"	102"	90"				◆	C6	
MR150 PIGGYBACK SoloMount	162"	162"	102"	90"				◆	C8	
MR250 SoloMount	240"	240"	240"	234"	66"			◆	C10	
MR250 SLIM	240"	240"	240"	234"	66"			◆	C12	
MR250 PIGGYBACK SoloMount	228"	228"	228"	228"	66"			◆	C14	
MR250 PIGGYBACK SLIM	240"	240"	240"	234"	66"			◆	C16	
MR350 SLIM	240"	240"	240"	240"	240"	180"	90"		C18	

MotoRISE MOTORIZED SHADING SYSTEMS	FASCIA SIZE	MOUNTING POSITIONS			EDGE CLEARANCES			ROLL DIRECTION		MORE INFO ON PAGE
		CEILING	WALL	JAMB	DRIVE	IDLE	TOTAL	REG	REV	
MR150 SoloMount	3½"	◆	◆	◆	11/16"	11/16"	1 3/8"	◆	◆	C4
MR150 SLIM	N/A	◆	◆	◆	11/16"	11/16"	1 3/8"	◆	◆	C6
MR150 PIGGYBACK SoloMount	7"	◆	◆	◆	11/16"	11/16"	1 3/8"	◆		C8
MR250 SoloMount	4½"	◆	◆	◆	1¼"	1"	2¼"	◆	◆	C10
MR250 SLIM	N/A	◆	◆	◆	1¼"	1"	2¼"	◆	◆	C12
MR250 PIGGYBACK SoloMount	7"	◆	◆	◆	1 3/8"	1"	2 3/8"	◆		C14
MR250 PIGGYBACK SLIM	N/A	◆	◆	◆	1¼"	1"	2¼"	◆		C16
MR350 SLIM	N/A	◆	◆	◆	1¼"	1 1/8"	2 3/8"	◆	◆	C18

- ◆ All MotoRISE® Systems may be Drive Right or Drive Left.
- ◆ All MotoRISE Systems have various options for motors and controls. See Motor Reference Guide for all motor options for each system.
- ◆ All MotoRISE Systems are available in your choice of solar fabric.
- ◆ All MotoRISE Systems offer multiple options and accessories, including various Hembar styles.

GET TO KNOW THE WT SHADE FAMILY OF BRANDS!

HeliaRISE®
MANUAL
SHADING SYSTEMS

MotoRISE®
MOTORIZED
SHADING SYSTEMS

BottomRISE™
BOTTOM-UP
SHADING SYSTEMS

AerISE™
SKYLIGHT
SHADING SYSTEMS



*NOTE ABOUT MEASUREMENTS: Width and Length may vary depending on the selected shade fabric. The measurements given above are based on EcoFabrix® 253. These measurements are for guideline purposes only and in no way guarantee that a shade with any other fabric can be made to these dimensions.

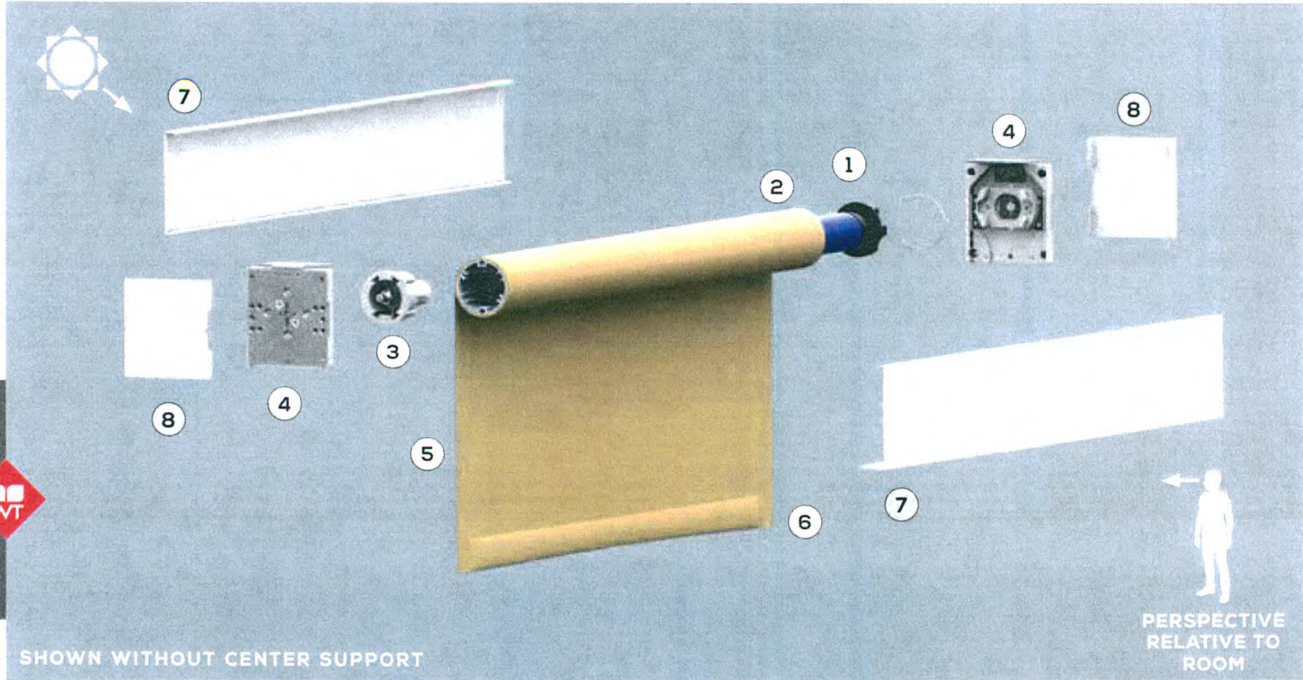
MotoRISE[®] MR250 SoloMOUNT[®] SYSTEM

MOTORIZED ROLLER SHADE • FASCIA COMPATIBLE • LINE VOLTAGE • MEDIUM-LARGE SIZE SHADES

Garden City Park, New York 11040



(T) 877 294 3580 • (F) 516 294 0444 • (E) info@WTShade.com • 77 Second Avenue



SHOWN WITHOUT CENTER SUPPORT

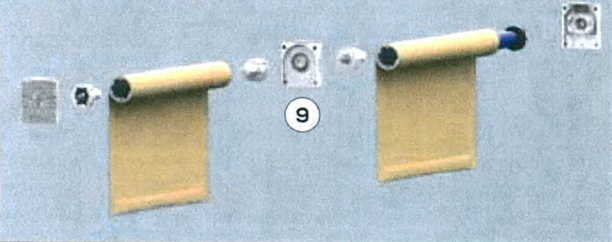
The above system is shown Drive Right, Regular Roll with Front Fascia and Rear Fascia. Brackets shown in Ceiling Mount position.

MODEL:
MR250SM-2.38

ADDITIONAL INFORMATION

STANDARD COMPONENTS	① MOTOR WITH ADAPTERS	See Motor Reference Guide for available motors.
	② ROLLER TUBE	2.38" Diameter tube. Content: Aluminum Alloy.
	③ IDLER	Retractable. Available in White (-10) as shown, or Black (-90) and will be color coordinated based on fabric color.**
	④ SoloMOUNT BRACKETS WITH RETAINER RING	Ships preset for Ceiling/Jamb or Wall Mounting for Drive Right or Drive Left. Available in White (-10) as shown, or Black (-90) and will be color coordinated based on fabric color. **
	⑤ FABRIC	See fabric selection for all available options.
	⑥ SEALED HEMBAR	Alternative options available including external, round or heavy duty styles. May require alternative hembar for some accessory compatibility.
OPTIONAL	⑦ 4.5" FASCIA	Available for Front & Rear application for Regular or Reverse Roll. Available in White (-10) as shown, Ivory (-04), Silver (-20), Bronze (-50) or Black (-90).
	⑧ END CAPS	Available in White (-10) as shown, Ivory (-04), Silver (-20), Bronze (-50) or Black (-90).
	⑨ CENTER SUPPORT INCLUDES CENTER SUPPORT BRACKET, TANGS AND FORKS.	Multibanded option available up to 6 bands. Can be Ceiling or Wall Mounted. Drive Right or Drive Left. Available in White (-10) as shown, or Black (-90) and will be color coordinated based on fabric color.**

SHOWN WITH CENTER SUPPORT



OPTIONAL	N/A	WALL MOUNT ANGLE	(Not Shown) Required for wall mount applications with rear fascia. Size: 4¾" x 4¾" x 1¼"
	N/A	MOTOR CONTROL	(Not Shown) SOLD SEPARATELY See Communication Guides for available control options.



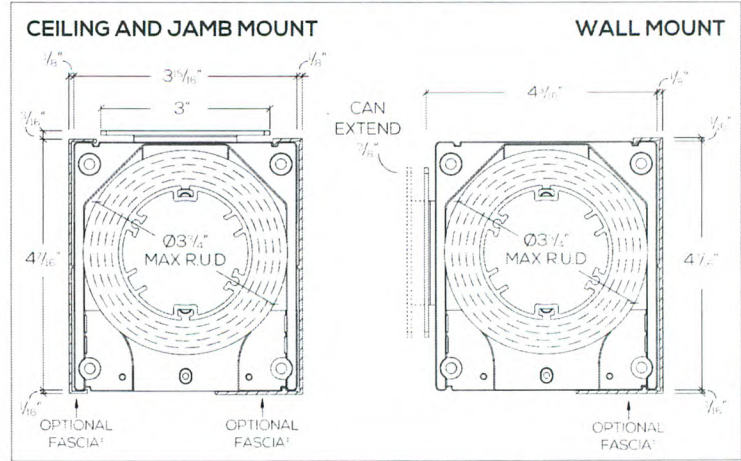
**See Color Coordination Guide for more information

SYSTEM FEATURES

- ◆ Featuring our proprietary, all-in-one **SoloMount Brackets**: Ceiling, Wall or Jamb mount capable allowing easy, on-the-fly adjustments. Mounting flange is extendible up to 3/8" for Wall Mount applications.
- ◆ Available with Front Fascia, Rear Fascia or Both! Regular and Reverse Roll available. Motor may be Drive Right or Drive Left.
- ◆ **SoloMount Brackets** are designed to accept fascia at the time of order or at any point in the future.
- ◆ Some MotoRise components are available in White (-10) and Black (-90). WT Shade will color coordinate based on the selected fabric color. See Color Coordination Guide for specific information.
- ◆ MotoRise Shading Systems offer multiple options and accessories, including various Hembar styles.
- ◆ All WT Shade roller shades are available in the *exclusive* line of sustainable solar protection fabrics by EcoFabrix. To view all available fabrics, visit EcoFabrix.com.
- ◆ See Motor Reference Guide for all compatible motor options.
- ◆ MotoRise shades require a Motor Control in order for the shade to operate. All Motor Controls are sold separately. See Communication Guides for Motor Control information.
- ◆ Best For Kids Certified! Visit WCMAnet.org for more information.
- ◆ Construction Documents for this system and others available at WTShade.com.



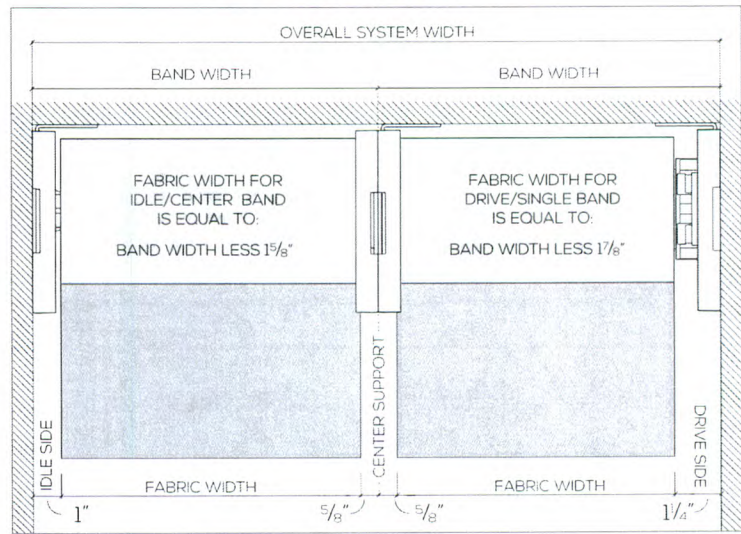
SECTION VIEW



‡ Front and rear fascia is able to be used in Ceiling or Jamb Mount applications. Wall Mount applications with rear fascia require the use of Wall Mount Angles (Not Shown).



EDGE CLEARANCES



SYSTEM CAPABILITIES

WIDTH	84"	96"	108"	120"	132"	144"	156"
LENGTH	240"	240"	240"	240"	234"	132"	66"

Width and length may vary depending on the selected shade fabric. The measurements given above are based on EcoFabrix 253. These measurements are for guideline purposes only and in no way guarantee that a shade with any other fabric can be made to these dimensions.

THE SoloMount BRACKET[®]
One bracket... So many possibilities.



ORDER FORM (EXAMPLE)

Below is an example of how to properly fill in the Request for Quote (RFQ) and Order Forms which can be found in the Documents Library at WTShade.com. For fastest processing, completed forms should be sent to:

RFQ Form: Quotes@WTShade.com

Order Form: Orders@WTShade.com

Date: 6/8/16		PO # 118123		S/M: Magic Kingdom		Ship To: Magic Kingdom		Phone # (123) 456-7890															
Acc Name: Walt Disney		Acct. #: 123456		Ordered By: Mickey		Address: 123 Some Road		Ship Via: A/CME															
Phone #: (123) 456-7890		Quote #: 123456		Amount: \$ 1,000.00		City: Orlando		State: FL Zip: 32830															
Location: Castle						Contact: Mickey																	
Line Item #	Shade ID	Qty	Shading System	Width	IB / OB / FAB	Length	OP / FIN	L / R	Ceiling Jamb Mount	Wall Mount	Fabric - Color	Reg / Rev	Hembar - Color	Rear Fascia (Color)	SoloMount Endcap (Color)	Side Channel (Color)	Sill Channel (Color)	LB	CB1	CB2	CB3	CB4	RB
1	MR101	1	H1000PB	60	IB	100	OP	L	<input checked="" type="checkbox"/>	<input type="checkbox"/>	2510-10	150	SSP	-10	-10								
2	MR102	1	H1000PB	120	IB	100	OP	R	<input type="checkbox"/>	<input checked="" type="checkbox"/>	2510-10	150	1/2 BX-10	-20	-20	-20	60	60					60
3									<input type="checkbox"/>	<input type="checkbox"/>													
4									<input type="checkbox"/>	<input type="checkbox"/>													
5									<input type="checkbox"/>	<input type="checkbox"/>													
6									<input type="checkbox"/>	<input type="checkbox"/>													
7									<input type="checkbox"/>	<input type="checkbox"/>													
8									<input type="checkbox"/>	<input type="checkbox"/>													
9									<input type="checkbox"/>	<input type="checkbox"/>													
10									<input type="checkbox"/>	<input type="checkbox"/>													

Shading Systems

HelixRise® Manual
 H100 Solomount (H100SM)
 H100 Slim (H100SL)
 H100 Piggyback (H100PB)

Motorized
 MR150 Solomount (MR150SM)
 MR150 Slim (MR150SL)
 MR150 Piggyback (MR150PB)

MR250 Solomount (MR250SM)
 MR250 Slim (MR250SL)
 MR250 Piggyback SM (MR250PBSM)
 MR250 Piggyback SL (MR250PBSL)

MR350 Slim (MR350SL)
 MR350 Catch Bracket (MR350CB)
 MR450 Catch Bracket (MR450CB)

Hembar Options

SSP - Sealed Hembar
 HBX - External Hembar
 HBXR - Round External Hembar
 HBNR - Round Internal Hembar
 HBXHD - HD External Hembar
 HBD - Dual Shade Hembar

Color Codes

-10 (White)
 -04 (Ivory)
 -20 (Silver)
 -50 (Bronze)
 -90 (Black)
 TBD (To Be Determined)

Chain Options

Stainless Steel
 Polished Brass
 Antique Brass
 Plastic White
 Plastic Ivory
 Plastic Grey
 Plastic Black

Motor Options

Battery RTS
 Low Voltage RTS
 Line Voltage RTS
 Digital Line Voltage
 Wired Technology

Special Instructions - (reference line item #)

Add Single Channel Remote

Add any additional options or special instructions here



(T) 877.294.3580 • (F) 516.294.0444 • (E) info@WTShade.com • 77 Second Avenue • Garden City Park, New York 11040