

WEDGE™ CATHETER

SOFIA® 6F NAVIGATION DEVICE

Improves SOFIA® 6F
Navigation Performance
Past Tortuous Bifurcations

WEDGE™ CATHETER

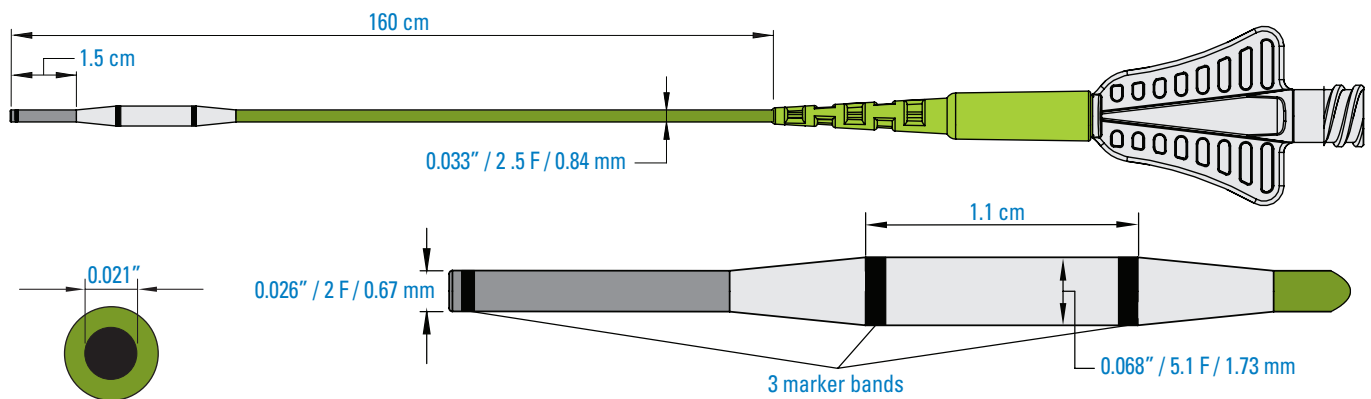
SOFIA® 6F CATHETER
COMPATIBLE

WEDGE™ CATHETER

Improves SOFIA® 6F Catheter Navigation Past Tortuous Anatomy

PRODUCT CODE	ID	TIP SHAPE	CATHETER LENGTH	TIP LENGTH	OD DISTAL	OD PROXIMAL	BULB WORKING LENGTH	BULB MAX OD	TIP MARKERS
MCWED21160	0.021"	Straight	160 cm	1.5 cm	0.026" 2.0 F 0.67 mm	0.033" 2.5 F 0.84 mm	1.1 cm	0.068" 5.1 F 1.73 mm	3

One unit per box, includes shaping mandrel and introducer sheath



microvention.com

MicroVention Worldwide
Innovation Center
35 Enterprise
Aliso Viejo, CA 92656
PH 714.247.8000
PH 1.800.990.8368

RX Only: Federal (USA) law restricts this device to sale by or on the order of a physician. This device should be used only by physicians trained in percutaneous, intravascular techniques and procedures at medical facilities with the appropriate fluoroscopy equipment. The Wedge Microcatheter should only be used by physicians who have received appropriate training for the device.

The Wedge Microcatheter is intended for general intravascular use, including the peripheral, coronary and neuro vasculature for the infusion of diagnostic agents, such as contrast media, and to assist in the delivery of interventional devices, such as the SOFIA 6F Catheter, in the neurovasculature.

MICROVENTION and SOFIA are registered trademarks of MicroVention, Inc. Wedge is a trademark of MicroVention, Inc. © 2018 MicroVention, Inc. MM677 US 4/18