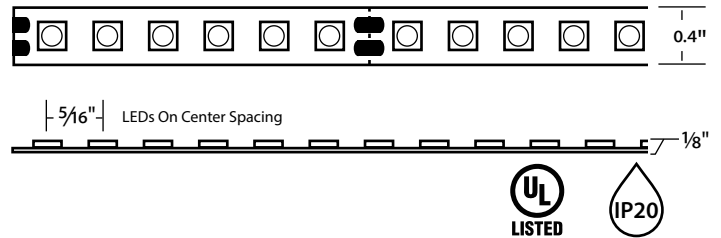




Please verify the contents of the packages!
 Please read instructions entirely before starting installation
 Be sure power is turned off before installing or modifying the system
 Call Tivoli, LLC tech support with questions
 Caution: Tivotape™ LED is designed to work with listed Class II 24V DC transformers only. Use of any other power source could cause damage, shorten the life of the fixture and may void the warranty.
 Consult any and all applicable local and national codes for installation.
 Do not conceal or extend exposed conductors through a building wall as per local electrical code.
 Warning: With any luminaire for any application, basic safety precautions should always be followed to reduce the risk of fire, electric shock and personal injuries. This lighting system should be installed by a certified professional.



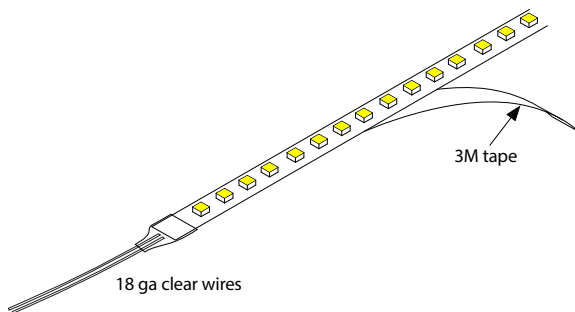
Profile Dimensions



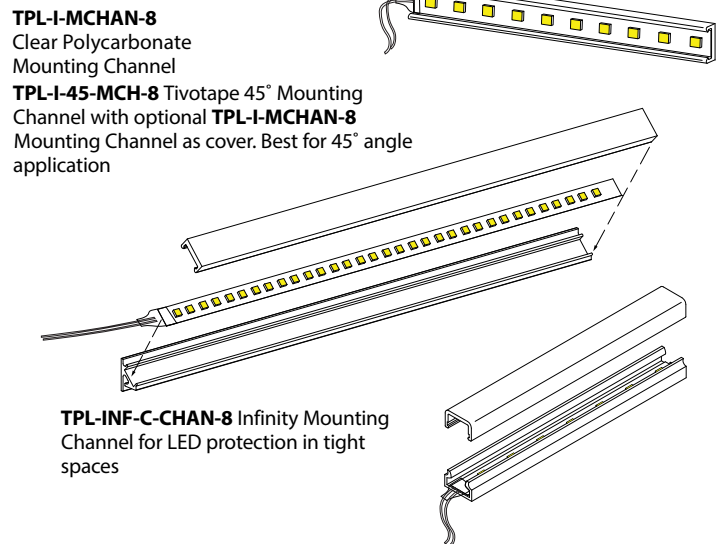
Installation Instructions

Option 1: Direct to surface
 Use in clean, smooth, surface applications
Step 1: Identify Tivotape™ from supplied lengths to fit the area as marked.
Step 2: Trim off excess length at cutoff zones only.
Step 3: Make sure surface where Tivotape™ is to be installed is smooth, clean, free of dirt, oil and debris.
Step 4: Peel off 3M tape backing and apply Tivotape to clean, smooth, surface area.
 NOTE: For backing tape to remain permanently attached, mounting surface must be clean and free of oil and debris.
 Warning: Not recommended for textured surfaces without the use of a mounting channel.

Option 2: Mounting Channel
 Mounting channels are recommended for most applications to create smooth flat adhesion surface and are used for different effects.
Step 1: Measure and cut mounting channel from supplied lengths to fit full length of mounting surface.
Step 2: Attach mounting channel by applying screws (supplied by others) with countersink heads appropriate for mounting surface, ie: wood screws for wood.
Step 3: Make sure channel where Tivotape™ is to be installed is smooth, clean, free of all dirt, oil and debris. NOTE: Cleaning channel mounting surface with Alcohol is recommended.
Step 4: Peel off 3M backing tape and apply Tivotape™ to clean mounting channel.
Step 5: Make necessary electrical connections (fixtures are DC powered and wires are marked for polarity)



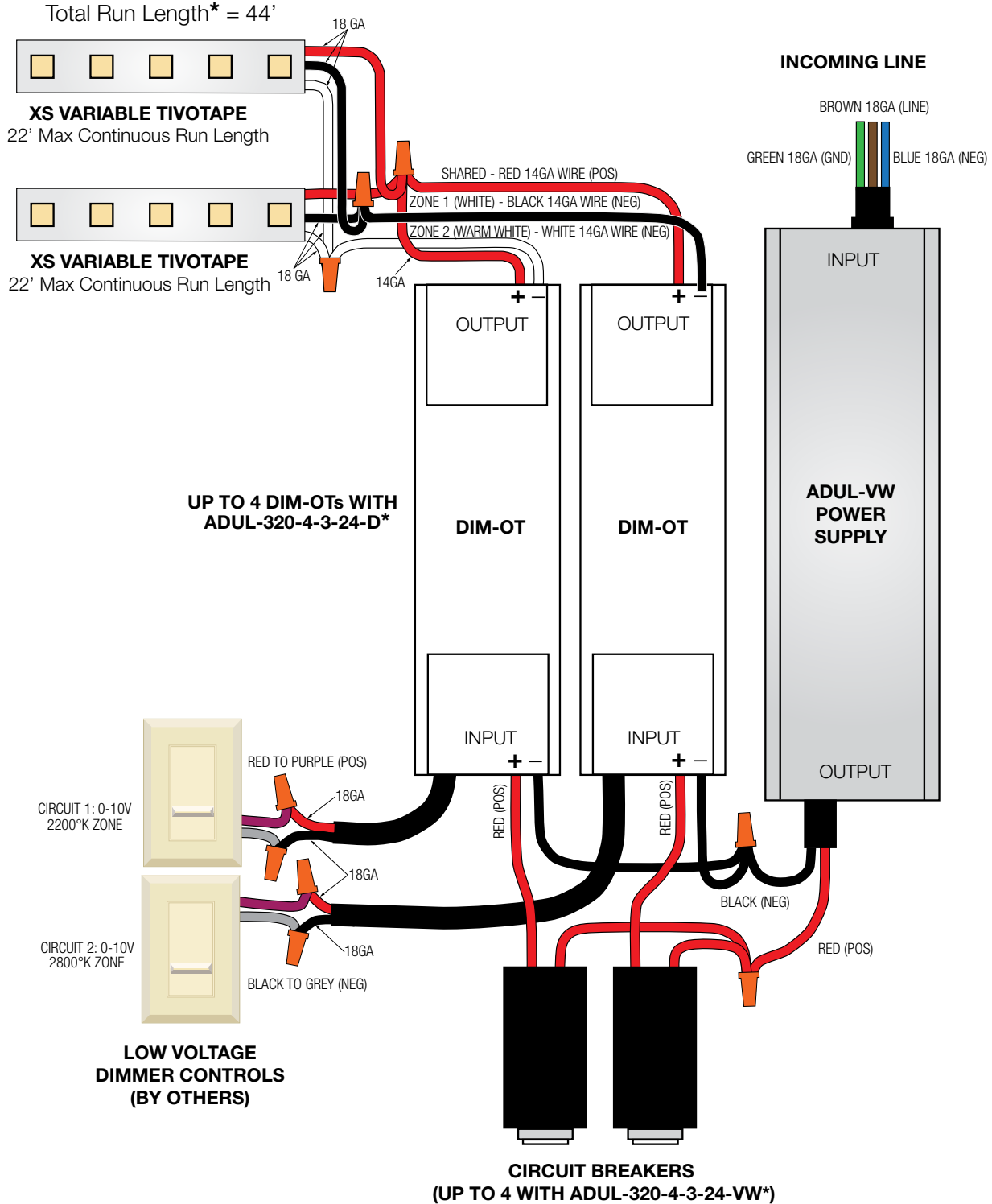
Examples of available Channels:



CAUTION: Avoid bending and twisting the lead wire at the solder connection point.

Tivotape Indoor Variable XS Wiring Diagram

BASIC SYSTEM COMPONENT WIRING DIAGRAM FOR 96W, 192W AND 288W ADUL SERIES POWER SUPPLIES



***ADUL-320-4-3-24-VW** has four Circuit Breakers, permitting this wiring diagram to be doubled. Using the two additional circuit breakers, add two additional DIM-OT units, two additional dimmer controls, and two more 22' runs of Tivotape for a total of 88'.