

Please verify the contents of the packages!
 Please read instructions entirely before starting installation
 Be sure power is turned off before installing or modifying the system
 Call Tivoli, LLC tech support with questions

TIVO-BAR is designed to work with Class 2 - 24Vdc power supply only. Use of any other power source will cause damage, shorten the life of the fixture and may void the warranty.

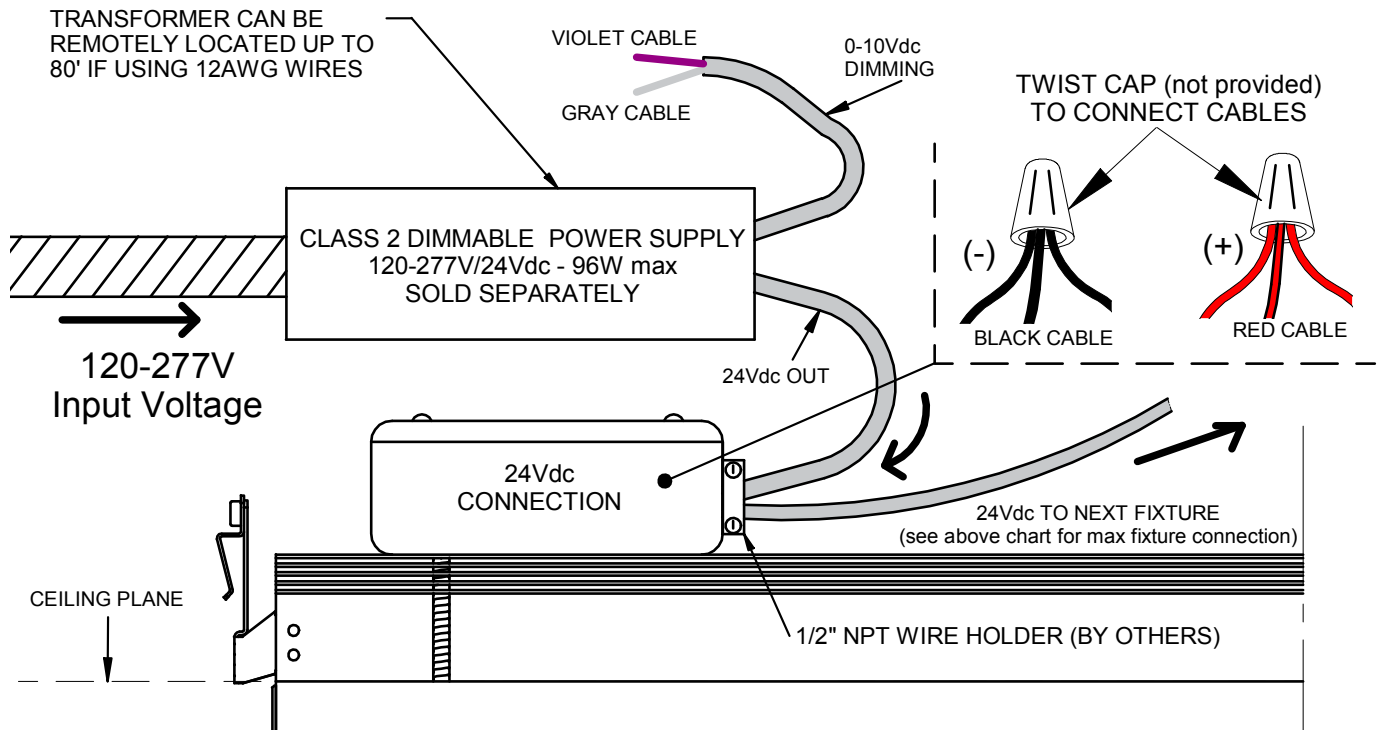
Do not conceal or extend exposed conductors through a building wall as per local electrical code.
 Warning: With any luminaire for any application, basic safety precautions should always be followed to reduce the risk of fire, electric shock and personal injuries.

This fixture must be installed and wired by a qualified electrician.



Installation Instructions

HOW TO ELECTRIFY THE TIVO-BAR

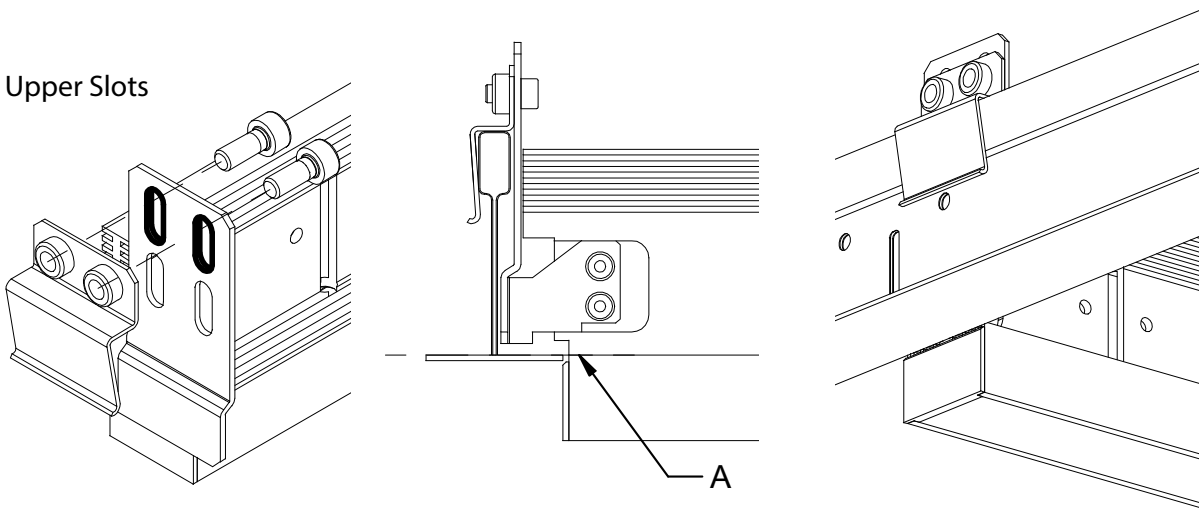


IMPORTANT:
 SEE ABOVE TABLE FOR MAX PRODUCT CONNECTED IN A ROW.
 FOR CONNECTING THE POWER SUPPLY TO THE FIXTURES AND
 IN BETWEEN FIXTURES, USE PLENUM RATED WIRE 16-14 AWG

HOW I INSTALL THE TIVO-BAR

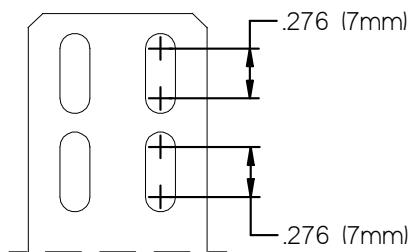
- PLACE THE PRODUCT OVER THE GRID FOLLOWING THE BELOW CONFIGURATION
- MAKE SURE THAT THE UPPER PLANE OF THE TIVO-BAR IS AT THE SAME PLANE WITH THE UPPER PLANE OF THE GRID AS SHOWN IN DETAIL "A"

Upper Slots

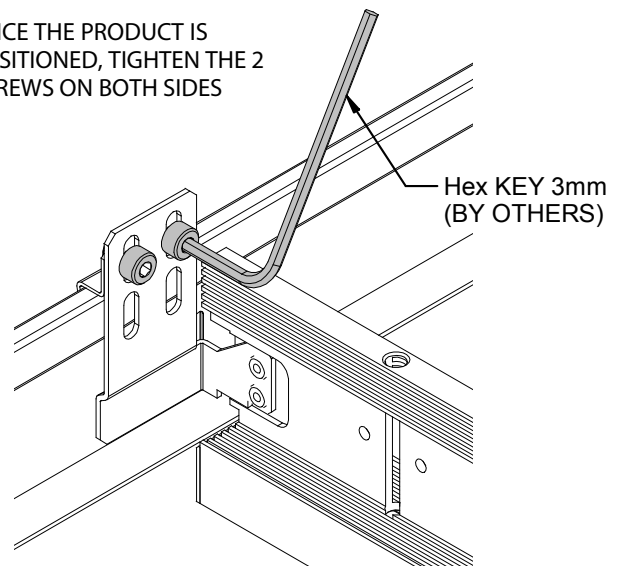


NOTE:

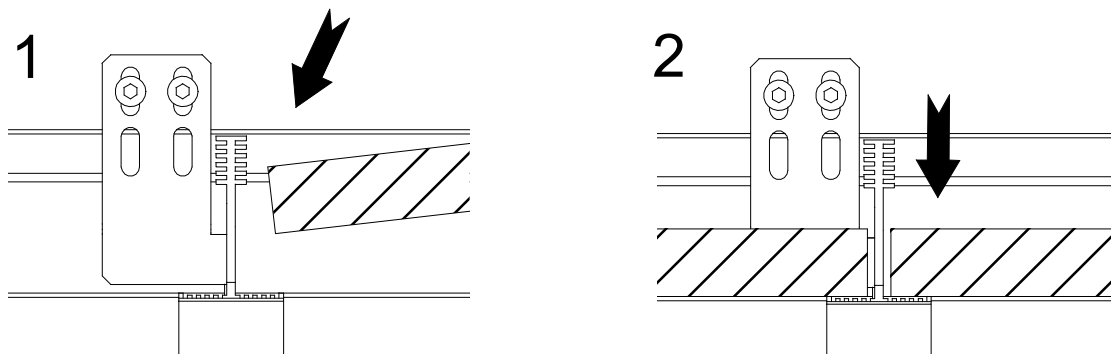
THE SLOTS ON THE MOUNTING BRACKET ARE DESIGNED TO ACCOMMODATE DIFFERENT GRID HEIGHTS



ONCE THE PRODUCT IS POSITIONED, TIGHTEN THE 2 SCREWS ON BOTH SIDES

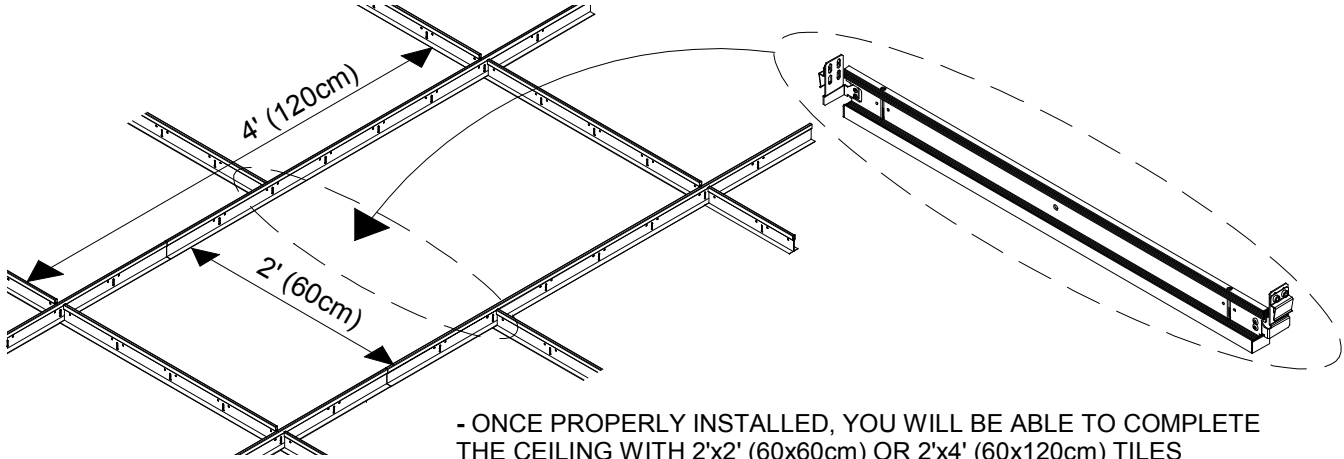


- AFTER YOU HAVE ELECTRIFIED THE SYSTEM (SEE FOLLOWING PAGE FOR INSTRUCTION), YOU CAN INSTALL THE TILES IN THEIR CORRECT POSITION OVER THE TIVO-BAR PRODUCT



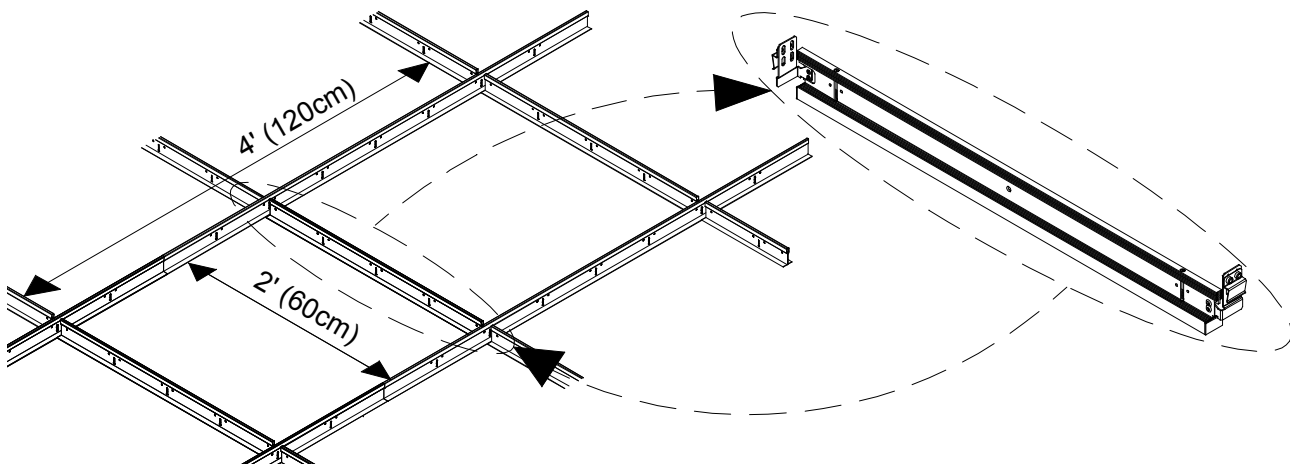
WHERE I CAN INSTALL THE TIVO-BAR

- IN A NEW CEILING INSTALLATION 15/16" (T24) GRID, ORGANIZE THE PLOT TO HAVE 2'x4' (60x120cm) OR 4'x4' (120X120cm) SPACES WERE THE 2' OR 4' TIVO-BAR WILL BE INSTALLED (ACCORDING TO THE LIGHT REQUIREMENT)
- INSTALL THE TIVO-BAR AT THE CENTER OF THE SPACE, CREATING TWO SECTION OF 2'x2' (60x60CM) OR 2'x4' (60x120cm) EACH, DEPENDING IF USING A 2' OR 4' TIVO-BAR



- ONCE PROPERLY INSTALLED, YOU WILL BE ABLE TO COMPLETE THE CEILING WITH 2'x2' (60x60cm) OR 2'x4' (60x120cm) TILES

- IN AN EXISTING SUSPENDED CEILING 15/16" (T24), LOCATE THE 2' (60cm) OR 4' (120cm) CROSS TEES THAT ARE INTENDED TO BE SUBSTITUTED WITH THE 2' (60cm) OR 4' (120cm) TIVO-BAR (ACCORDING TO THE LIGHT REQUIREMENT)
- TEMPORARILY REMOVE THE TILES WITHIN THE SPACE YOU SELECTED
- REMOVE THE 2' (60cm) OR 4' (120cm) CROSS TEE AND REPLACE IT WITH THE 2' (60cm) OR 4' (120cm) TIVO-BAR
- ONCE PROPERLY INSTALLED, PLACE THE 2'x2' (60x60cm) OR 2'x4' (60x120cm) TILES BACK



NOTE: MAKE SURE THAT THE TIVO-BAR IS POSITIONED TO ALLOW THE CORRECT PLACING OF THE CORRESPONDENT TILES

TIVO-BAR MUST BE ANCHORED TO THE ABOVE BUILDING STRUCTURE WITH A STEEL CABLE USING THE CENTER HOLE. (STEEL CABLE BY OTHERS)

