

Zenty



IP Controller

ZT-IP100C

User Manual

Version: V1.0.1



Important Safety Instructions



1. Do not expose this apparatus to rain, moisture, dripping or splashing and that no objects filled with liquids, such as vases, shall be placed on the apparatus.



6. Clean this apparatus only with dry cloth.



2. Do not install or place this unit in a bookcase, built-in cabinet or in another confined space. Ensure the unit is well ventilated.



7. Unplug this apparatus during lightning storms or when unused for long periods of time.



3. To prevent risk of electric shock or fire hazard due to overheating, do not obstruct the unit's ventilation openings with newspapers, tablecloths, curtains, and similar items.



8. Protect the power cord from being walked on or pinched particularly at plugs.



4. Do not install near any heat sources such as radiators, heat registers, stoves, or other apparatus (including amplifiers) that produce heat.



9. Only use attachments / accessories specified by the manufacturer.



5. Do not place sources of naked flames, such as lighted candles, on the unit.



10. Refer all servicing to qualified service personnel.

Table of Contents

Introduction.....	2
Overview.....	2
Features.....	3
Package Contents	4
Specifications.....	5
Panel Description	7
Front Panel.....	7
Rear Panel	8
Warranty Terms and Conditions	12

Introduction

Overview

ZT-IP100C (hereinafter referred to as IP controller) is an IP control box that is used as an A/V control device for controlling, configuring and managing encoders and decoders on the local area network. It integrates two Ethernet ports and two RS232 ports, offering integration-friendly control features—LAN (Web GUI & Telnet). It also can be used with a third-party controller to provide a simple, flexible control and management options. IP controller can automatically search and display encoders and decoders. It is designed to be compatible with the configuration file from PC configurator (HDMI over IP Console) and use the imported configuration file to perform operations on encoders and decoders such as matrix and video wall.

Features

- IP control via LAN (Web GUI & Telnet) and a third-party controller
- Features two Ethernet ports and two RS232 ports
- Discover encoders and decoders automatically
- Supports matrix switching between encoders and decoders
- Compatible with the configuration file from PC configurator to quickly perform operations on encoders and decoders, such as matrix and video wall
- Web configuration page

Package Contents

- 1 x IP Controller
- 1 x Power Supply (12 V 1A DC)
- 1 x Detachable Plug
- 1 x Phoenix Connector (Male, 3.5 mm, 6 pins)
- 2 x Mounting Ear
- 5 x Label Card (49 mm x 15 mm)

Specifications

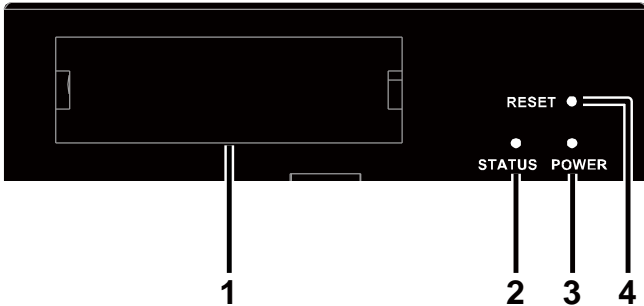
Technical	
I/O Connections	1 x LAN ₁ (AV/POE) (10/100 Mbps) 1 x LAN ₂ (C) (10/100 Mbps) 2 x RS232
LED	1 x STATUS LED 1 x POWER LED
Button	1 x RESET Button
Control Method	LAN (Web GUI & Telnet), RS232 and a third party controller

General	
Power Supply	12 VDC 1 A
Power Consumption	<ul style="list-style-type: none"> ● 4.5 W Max. (without outputting 12 V 0.5 A using RS232 port) ● 10.5 W Max. (with outputting 12 V 0.5 A using RS232 port)
Operating Temperature	32°F ~ 113°F (0°C ~ +45°C) 10% ~ 90%, non-condensing
Storage Temperature	-4°F ~ 140°F (-20°C ~ +70°C) 10% ~ 90%, non-condensing
Surge Protection	Voltage: ± 1000 V (Tested ten times respectively for the positive and negative voltages)
ESD Protection	Human body model:

General	
	<ul style="list-style-type: none">● $\pm 8\text{kV}$ (air-gap discharge)● $\pm 4\text{kV}$ (contact discharge)
Product Dimension (W x H x D)	<ul style="list-style-type: none">● 93.2 mm x 26 mm x 138.7 mm● 3.67" x 1.02" x 5.46"
Case Dimension (W x H x D)	<ul style="list-style-type: none">● 170 mm x 80 mm x 250 mm● 6.69" x 3.15" x 9.84"
Weight	0.38 kg / 0.84 lbs (without accessories)
Certification	CE, FCC, RoHS compliant

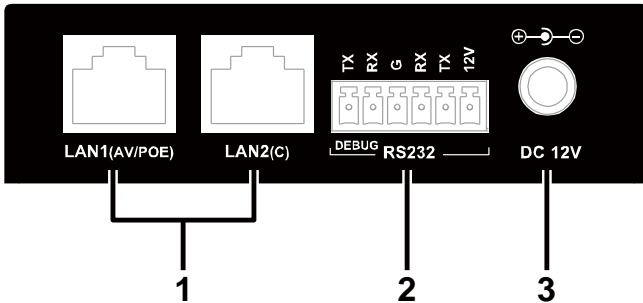
Panel Description


Front Panel




No.	Name	Description
1	Label Card Location	Inserts a supplied label card intended for writing short notes such as an IP address.
2	STATUS LED	<ul style="list-style-type: none"> ● Blue: when IP controller is working properly. ● Off: when IP controller is powered off or is booting.
3	POWER LED	<ul style="list-style-type: none"> ● Red: when IP controller is powered on. ● Off: when IP controller is powered off.
4	RESET	<p>When IP controller is powered on, use a pointed stylus to hold down RESET button for five or more seconds, and then release it. It will reboot and restore to its default settings.</p> <p>Note: When the default settings are restored, your custom data is lost. Therefore, exercise caution when using the RESET button.</p>

Rear Panel



No.	Name	Description
1	RJ45 ports	1 x LAN₁ (AV/POE): Connects to a switch for communication with encoders and decoders on the same network.
		Default protocol:
		IP Address 169.254.1.1
		Subnet Mask 255.255.0.0
		Gateway 169.254.1.254
		DHCP Off
		Link speed and duplex level Autodetected
		Ethernet port indicators  :
		Green Link LED: this green colored LED lights when IP controller actively communicates with a network.
		Amber Activity LED: this amber colored LED flickers as IP controller is connected to a

No.	Name	Description										
		network.										
		<p>1 x LAN2 (C):</p> <p>Connects to a third party controller for controlling, configuring and managing ZT-IP100C, encoders and decoders through LAN control (Web GUI & Telnet).</p>										
		<p>Default protocol:</p> <table border="1"> <tr> <td>IP Address</td> <td>192.168.11.243</td> </tr> <tr> <td>Subnet Mask</td> <td>255.255.0.0</td> </tr> <tr> <td>Gateway</td> <td>192.168.11.1</td> </tr> <tr> <td>DHCP</td> <td>Off</td> </tr> <tr> <td>Link speed and duplex level</td> <td>Autodetected</td> </tr> </table>	IP Address	192.168.11.243	Subnet Mask	255.255.0.0	Gateway	192.168.11.1	DHCP	Off	Link speed and duplex level	Autodetected
IP Address	192.168.11.243											
Subnet Mask	255.255.0.0											
Gateway	192.168.11.1											
DHCP	Off											
Link speed and duplex level	Autodetected											
		<p>Ethernet port indicators  : same as above.</p>										
		<p>Note:</p> <ul style="list-style-type: none"> ● Only LAN₁ (AV/POE) port supports PoE. You can connect it to a PoE switch to receive power, eliminating the need for a nearby power outlet. ● We would recommend that you power IP controller using either a power adapter or a PoE switch instead of using both them at the same time. For example, if you want to use a power adapter, ensure that PoE function of the connected LAN port in the 										

No.	Name	Description
		switch is disabled or a non-PoE switch is used.

No.	Name	Description	
2	RS232 ports	Left (DEBUG): Pins TX, RX, G are used for device troubleshooting only.	
		RS232 parameters:	
		Baud Rate	115 200 bps
		Data Bits	8 bits
		Parity	None
		Stop Bits	1
		Middle (Control): Pins G, RX, TX are used for controlling, configuring and managing IP controller, encoders and decoders through RS232 software or a third party controller.	
		RS232 parameters:	
		Baud Rate	9 600 bps
		Data Bits	8 bits
		Parity	None
Stop Bits	1		
		Right (Power): Pins G, 12V are used for providing a 12 VDC 0.5 A output.	
		Note: Please connect the correct pins for device debug and control. When IP controller is powered by a power adapter, if you connect control terminal to control port after first connection with the debug port, you need to reboot IP controller for device control process.	
3	DC 12V	Connects to a supplied 12 VDC 1 A power adapter.	

Warranty Terms and Conditions

For the following cases Zenty shall charge for the service(s) claimed for the products if the product is still remediable and the warranty card becomes unenforceable or inapplicable.

1. The original serial number (specified by Zenty) labeled on the product has been removed, erased, replaced, defaced or is illegible.
2. The warranty has expired.
3. The defects are caused by the fact that the product is repaired, dismantled or altered by anyone that is not from a Zenty authorized service partner. The defects are caused by the fact that the product is used or handled improperly, roughly or not as instructed in the applicable User Guide.
4. The defects are caused by any force majeure including but not limited to accidents, fire, earthquake, lightning, tsunami and war.
5. The service, configuration and gifts promised by salesman only but not covered by normal contract.
6. Zenty preserves the right for interpretation of these cases above and to make changes to them at any time without notice.


Zenty

■ Contact Us

 Zenty

12803 Park One Dr.

Sugar Land, TX 77478 USA

 zenty.com

 1-888-610-2818

 support@zenty.com

We reserve the right to change specification or product dimensions at any time.