

READ ME FIRST!

As you follow these instructions, you will notice warning and caution symbols. This information is important for the proper, safe and trouble free installation of the Linear Steam Head. These are types of potential hazards that may occur if installation instructions are not carefully followed.

CAUTION This signals a situation where injury or property damage may occur if you do not follow instructions.

IMPORTANT NOTE: This highlights information that is especially relevant to a problem-free installation.

All information in these instructions is based on the latest information available at the time of publication. Sussman-Automatic Corporation reserves the right to make changes at any time without notice.

CAUTIONS

- Linear Steam Head model 104216 is suitable for MrSteam generator models MS90 – MS400, MSSUPER1–MSSUPER6 and CT6-CT15.
Do not use Linear Steam Head model 104216 for any other MrSteam steam generator. Do not use the Linear Steam Head with any steam generator that is not a MrSteam steam generator. Failure to follow these instructions may result in a leak within the wall cavity and cause problems associated with leaks, moisture and property damage from leaks.
- Do not use the Linear Steam Head with any steam generator that is not a MrSteam steam generator. Failure to follow these instructions result in steam head operation where incidental contact by the bather with direct steam emission cannot occur. Do not locate the steam head in any location where the steam emission zone is near a seat, bench or any space occupied by any persons. Failure to follow these instructions may result in a hazardous condition, scalding or personal injury.
Using model 104216 for any steam generator model larger than the MS Super 3, or for any non MrSteam brand generators may result in an improper installation or hazardous condition.
- MrSteam steam generators Models SUPER 4, 5 & 6 require two 104216 steam heads. Failure to use two steam heads may result in steam head operation where incidental contact by the bather with direct steam emission may occur. Do not locate the steam head in any location where the steam emission zone is near a seat, bench or any space occupied by any persons. Failure to follow these instructions may result in a hazardous condition, scalding or personal injury.
- Because the steam head and direct steam emission are very hot, locate the steam head where incidental contact by the user with the steam head or direct steam emission cannot occur.
- Model 104216 Linear Steam Heads are for residential and Day Spa use only. Do not use Model 104216 Linear Steam

Heads for commercial installations or with commercial (CU) steam generators. Using Model 104216 Linear Steam Heads for commercial installations or with commercial (CU) steam generators may result in steam head operation where incidental contact by the bather with direct steam emission may occur. Failure to follow these instructions may result in a hazardous condition, scalding or personal injury.

- Install in a horizontal orientation only. Installation in a non-horizontal orientation may concentrate the steam and result in excessive temperatures. Failure to install in a horizontal orientation may result in steam head operation where incidental contact by the bather with direct steam emission may occur. Failure to follow these instructions may result in a hazardous condition, scalding or personal injury.
- Insulate the steam head and piping as required to reduce temperatures within the wall cavity. Do not locate the steam head or plumbing near any materials, including wiring, devices, or products that may be adversely affected by elevated temperatures. Failure to follow these instructions may result in the failure of materials, including wiring, devices, or products.
- Steam bath controls feature an integral temperature sensor. Locate the steam head in a location where steam emissions will not directly come in contact with the steam control. Failure to follow these instructions may result in a hazardous condition, scalding or personal injury.
- Use the supplied high temperature silicone sealant or equal silicone based product. Do not seal the steam head with grout or any other material that may be compromised adversely by heat.
- The Linear Steam Head model 104216 must be installed by a qualified and licensed plumber. Failure to use a qualified and licensed plumber may result in a leak within the wall cavity and cause problems associated with leaks, moisture and property damage from leaks.

(continued on next page)

READ ME FIRST! (cont.)

CAUTION

- Do not modify or alter the steam head. Do not cover, block or insert any product that is not a MrSteam supplied product into the steam outlet. Failure to follow these instructions may result in a leak within the wall cavity, or result in a hazardous condition and/or personal injury.

IMPORTANT NOTES:

- See the Installation and Operation Manual provided with the steam generator for additional important installation and operation information. If this installation and operation manual is not available then go to www.mrsteam.com for an online copy, or contact MrSteam Customer or Technical Services at 800-767-8326 or 800-727-8326 for a free copy.
- Do not disassemble the steam head. The steam head is shipped fully assembled and requires no additional assembly. Failure to follow these instructions may

result in a leak within the wall cavity and cause problems associated with leaks, moisture and property damage from leaks.

- Consult with supplier of acrylic, fiberglass and other non-heat resistant enclosures for elevated temperatures, steam, and moisture compatibility. Consult with supplier of acrylic, fiberglass and other non-heat resistant enclosures for recommended steam head locations.
- To prevent damage to property do not locate the steam head where steam, elevated temperatures, moisture or water can contact any products, wall surfaces, materials, door seals, devices, electronics that are not designed for steam, elevated temperatures, moisture or water.
- Do not use abrasive cleansers or chemicals to clean the steam head. Use only water with mild soap and a non-abrasive sponge. The use of abrasive cleansers or chemicals will damage the finish on the Linear Steam Head.

BOX CONTENTS:

- Linear Steam Head
- Silicone Sealant
- Installation Instructions

| Generator Model | Number of Linear Steam Heads | Steam Emission Zone |
|-----------------|------------------------------|---------------------|
| MS90 – MS400 | 1 | 18" |
| Super1 – Super3 | 1 | 24" |
| Super4 – Super6 | 2 | 24" |
| CT6, CT9 | 1 | 18" |
| CT12, CT15 | 1 | 24" |

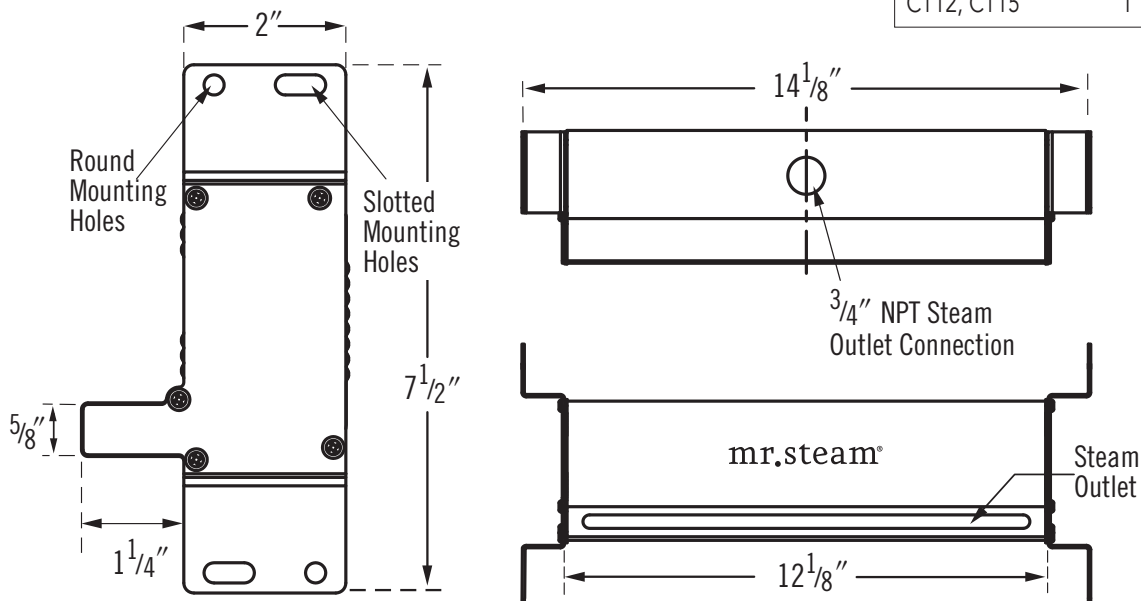


Figure 1

Installation Instructions: Model 104216

INSTALLATION STEPS

⚠ CAUTION Because steam emissions are very hot, locate the steam head where incidental contact by the bather with direct steam emission cannot occur. Do not locate the steam head in any location where the steam emission zone is near a seat, bench or any space occupied by any persons. See Fig. 2 for a diagram of the steam emission zone. Failure to follow these instructions may result in a hazardous condition, scalding or personal injury.

⚠ CAUTION Do not install a Linear Steam Head in a tub or acrylic/fiberglass shower enclosure. Failure to follow these instructions may result in a hazardous condition, scalding or personal injury

STEP 1. Locate the steam head 6-12" above the finished floor. Do not locate the steam head in any location where the steam emission zone is near a seat, bench, or any space occupied by any persons. See Fig. 2 for a diagram of the steam emission zone.

STEP 2. Confirm proper stud spacing: The studs must have a minimum spacing of 14-1/8" and a maximum spacing 14-1/2 ". If the stud spacing is outside the required range then shim or otherwise reposition the studs as required.

⚠ CAUTION Installing the steam head between incorrectly spaced studs may result in damage to the steam head and result in a leak within the wall cavity and cause property damage.

STEP 3. Determine the location of the finished wall surface. Mount the steam head between two studs using the four slotted holes to position the steam outlet face to be flush or extend 1/8" from the finished wall surface (see Fig. 4).

⚠ CAUTION Failure to position the steam head face to be flush or extended 1/8" from the finished wall surface may result in a leak within the wall cavity and cause problems associated with leaks, moisture and property damage from leaks.

STEP 4. Use a level to ensure the steam head is level (see Fig. 3) and the steam head face is flush or extends 1/8" from the finished wall surface. Install the four screws in the mounting holes to secure the steam head to the studs.

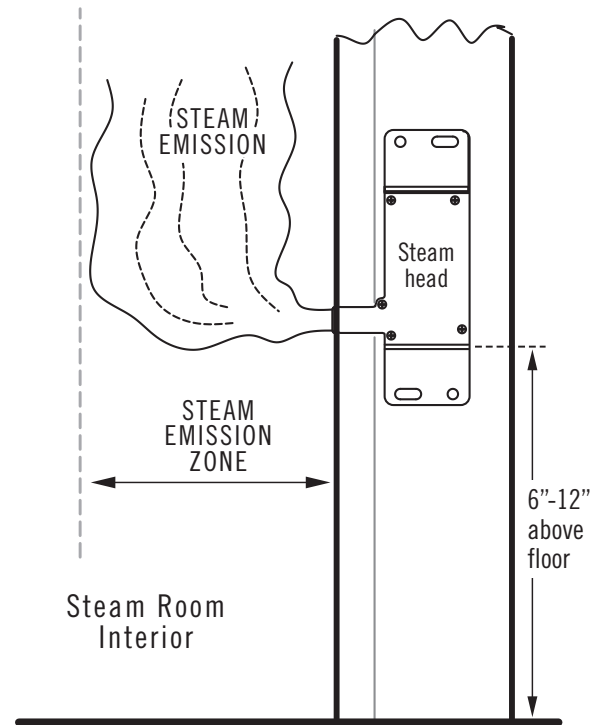


Figure 2

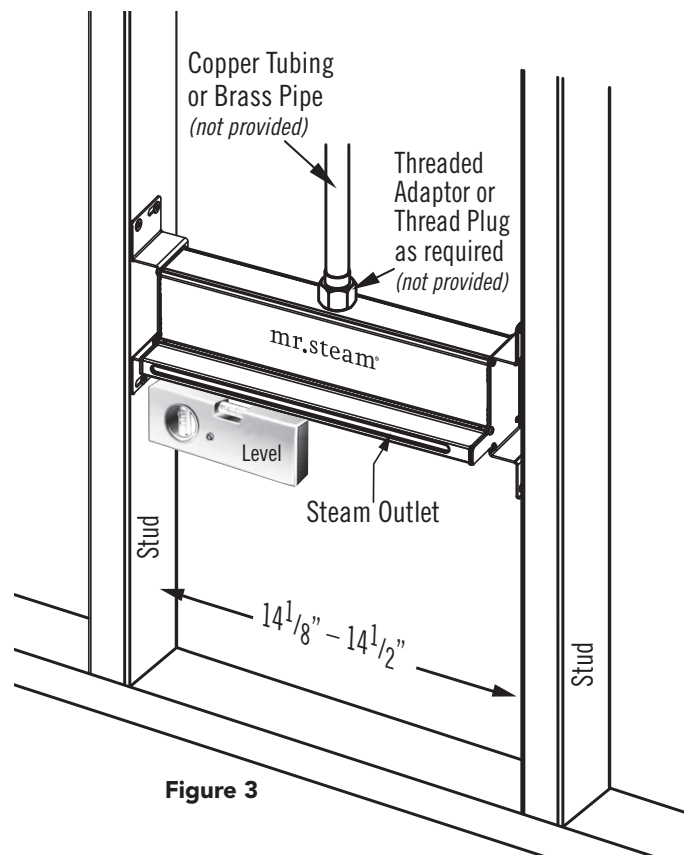


Figure 3

Installation Instructions: Model 104216

STEP 5. Plumb rigid copper tubing or brass pipe from the steam generator to the steam head. Plumbing must not form traps or valleys. Thread sealant must be used as required to ensure a leak free joint.

⚠ CAUTION Plumbing must be installed by a qualified and licensed plumber. Plumbing in a manner that results in traps or valleys in the pipe may result in a noisy or inoperable installation.

⚠ CAUTION Plumbing without proper thread sealant may result in a leak within the wall cavity and cause problems associated with leaks, moisture and property damage from leaks.

STEP 6. Run the steam generator for a few steam cycles to observe and verify that the steam head, steam head installation and plumbing are correct and free of leaks.

STEP 7. Insulate steam line and steam head using insulation rated 212°F or higher. Insulate the steam head and piping as required to reduce temperatures within the wall cavity. Do not locate the steam head or plumbing near any materials, including wiring, devices, or products that may be adversely affected by elevated temperatures. Failure to follow these instructions may result in the failure of materials, including wiring, devices, or products.

STEP 8. After the finished wall surface has been installed use high temperature caulking around the steam outlet as required to make a waterproof seal. (see Fig. 4)

STEP 9. A plastic protective film has been provided to protect the steam head during installation. Remove the plastic protective film covering the steam outlet to complete the installation.

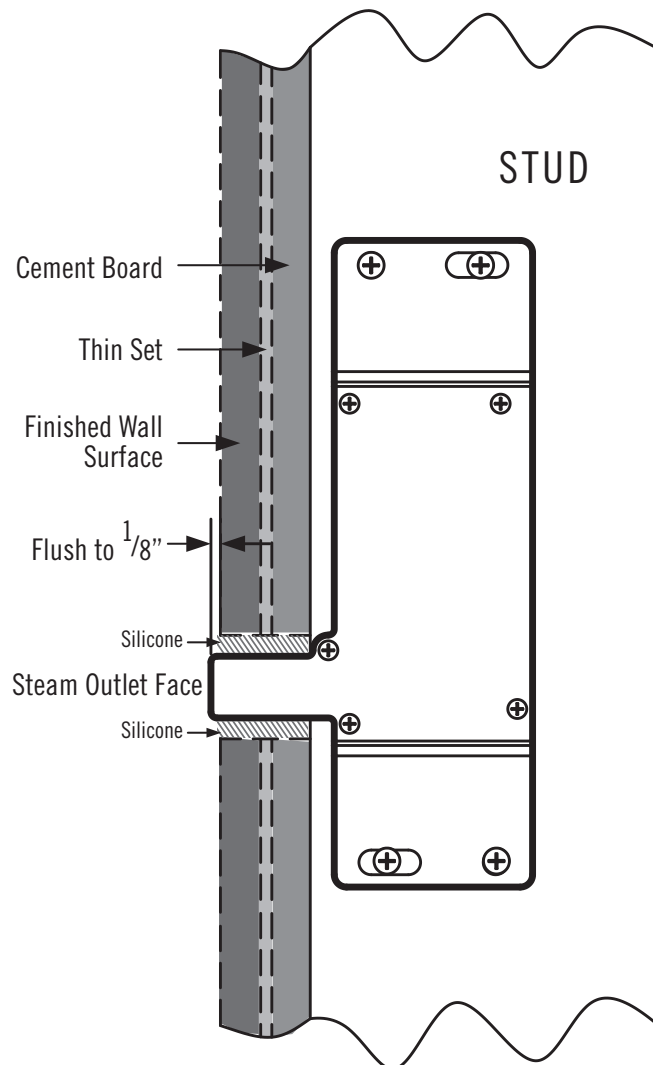


Figure 4

- Complete steam room tile construction information is available from the Tile Council of America, Inc. by purchasing the TCA Handbook for Ceramic Tile Installation. 864- 646-8453 or www.tileusa.com. Information on marble steam room construction is available from the Marble Institute of America www.marble-institute.com. Failure to follow these instructions may result in damage to tile, marble or other materials.
- Finished wall surface may be tile, marble, granite or other steam rated surface.
- MrSteam is not responsible for the steam room construction.
- Consult with qualified designer, architect or contractor for steam room construction.

For Installation assistance please call Customer or Technical support:

East Coast 1-800-767-8326 • West Coast 1-800-727-8326

To view an installation video please go to: www.mrsteam.com

This video is for added visual assistance only. Do not install the Linear Steam Head using the video. Use only these installation instructions for a safe and problem free installation.