

Shop1102196920 St...

DESCRIPTION

CUSTOMER REVIEWS (0)

SPECIFICATIONS

Buy Now

Add to Cart

Sell on AliExpress

Help

Buyer Protection

App

/ English / USD

Wish List

Account

Shop1102196920 Store

0.0% Positive feedback

+ Follow

0 Followers

I'm shopping for

0

On AliExpress

In this store

Store Home

Products

Sale Items

Top Selling

Feedback



NEKCLI Umbrellas for children Children's folding vinyl umbrella with UV protection 55cm*8 bone

US \$25.10

US \$3.00 off Coupons For You Get coupons

Quantity:

1 12 Pieces available

Ships to United States

Shipping: \$8.32

From China to United States via AliExpress Standard Shipping Estimated delivery on Aug 31

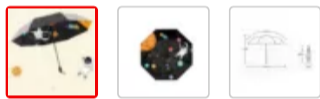
More options

Buy Now

Add to Cart



75-Day Buyer Protection Money back guarantee



Shop1102196920 Store

Store Categories

Others

Top Selling



US \$17.10



US \$26.10



US \$26.10

Shop1102196920 St...

0.0% Positive Feedback

0 Follower

Contact

+ Follow

Visit Store



US \$119.10



US \$119.10



US \$115.10



US \$110.10



US \$106.10



US \$97.10

DESCRIPTION

CUSTOMER REVIEWS (0)

SPECIFICATIONS

Product gross weight: 340.00g

Umbrella radius: 54-61cm

Open method: manual

Umbrella coating: vinyl

Umbrella cloth fabric: impact cloth

Pattern: Cartoon

Colour: Black

Shop1102196920 St...

DESCRIPTION

CUSTOMER REVIEWS (0)

SPECIFICATIONS

Buy Now

Add to Cart



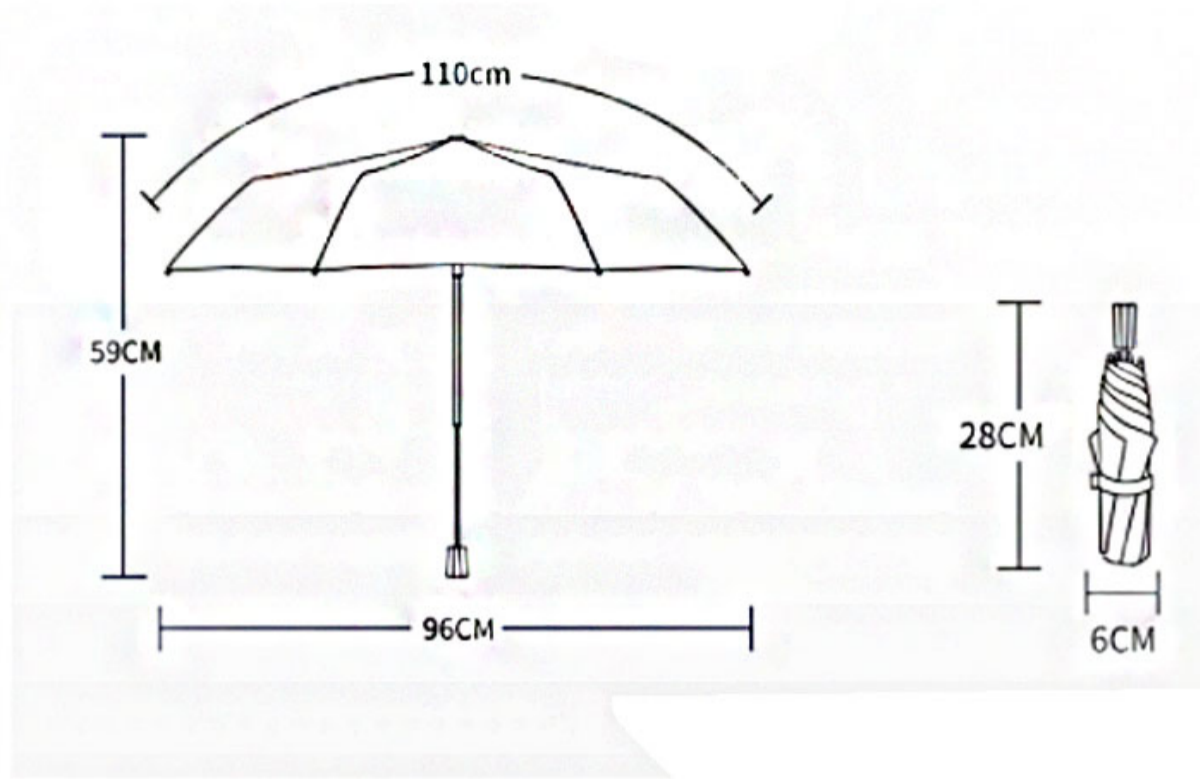
US \$44.10



US \$11.10

View More >





No Feedback.

Seller Recommendations



Auto Sensor Touchless Black ...
US \$95.1



Indoor door bedroom door h...
US \$89.1



Cordless Screwdriver Kit 14 P...
US \$89.1



Steam Mop, Lightweight Mop...
US \$87.1



Aenaon Plaques of common ...
US \$87.1



Humidifier Sterile Large Hum...
US \$78.1



Direct 100% bamboo bed sh...
US \$72.1



Fingerprint Door Lock Keyless...
US \$68.1



Bluetooth Speaker Conferenc...
US \$67.3



Video Doorbell Ringtone...
US \$65.1

More To Love



- Orders**
 - All Orders
 - Refunds & Disputes
 - Sale service management
 - Export Orders
 - Shipping Risk Assessment
 - Manage Feedback
- Logistics**
 - Aliexpress Logistics Introduction
 - Logistic center
 - Shipping Templates
 - Logistics Service
 - Air Mail Orders
 - Cainiao Seller Workbench
 - Logistic Solution Look-up
 - Supply Chain Collaboration Platform

All Orders >

Order Details

Order State



Order



Payment



Shipping



Completion

Completed

Reminder: Order complete time: 2022-05-27 21:39

[Refund the buyer](#)

Shipment Information

Shipping Time	Shipping Method	Tracking number	Actions
2022-04-26 19:04	ePacket	LS383188806CN	View details

Order Overview

Order ID
8017068308234623 [Copy](#)

Note
[Edit Note](#)

Buyer
Sangin Kim-TPL BWD (GSM) [Contact](#) [Report Buyer](#) [Blacklist](#)

Receiver Address
Receiver Name: [Redacted]
Address: [Redacted] United States
Zip Code: [Redacted]
Phone: [Redacted]
CPF: [Redacted]
[Copy](#)

Product Information	Unit Price	Quantity	Amount	Services	Shipping Method
NEKCLI Umbrellas for children Children's foldi... (null null)	US \$25.10	1	US \$25.10		ePacket US \$1.05 Estimated delivery: 37 - 37 working days Shipment preparation time: 3 days

Fund details

Order amount

Product Total	Shipping Cost	Adjustment	duty	Store Promotion	Order amount [?]	Platform Commission	Affiliate Commission	Amount paid [?]
US \$25.10	US \$1.05	US \$0.00	-	-US \$0.00 Details	US \$26.15	-US \$0.06	-US \$0.00	US \$26.09

Payment details

Total amount paid [?]	Payment time	Payment method
US \$26.09	2022-04-24 17:25	WM_EBANK

Orders

All Orders

Refunds & Disputes

Sale service management

Export Orders

Shipping Risk Assessment

Manage Feedback

LogisticsAliexpress Logistics
Introduction

Logistic center

Shipping Templates

Logistics Service

Air Mail Orders

Cainiao Seller Workbench

Logistic Solution Look-up

Supply Chain Collaboration
Platform

All Orders >

Order Details**Order State**

Order



Payment



Shipping



Completion

Completed**Reminder:**Order complete time: 2022-06-23 09:42

Refund the buyer

Shipment Information

Shipping Time	Shipping Method	Tracking number	Actions
2022-05-22 11:32	ePacket	LS386910171CN	View details

Order Overview

Order ID

8017177592265564 [Copy](#)

Note

[Edit Note](#)

Buyer

Nathan Sollman [Contact](#)[Report Buyer](#)[Blacklist](#)

Receiver Address

Receiver

Address

Zip Code

Phone

CPF

[Copy](#)

United States

Product Information	Unit Price	Quantity	Amount	Services	Shipping Method
NEKCLI Umbrellas for children Children's foldi... (null null)	US \$25.10	1	US \$25.10		ePacket US \$1.05 Estimated delivery: 37 - 37 working days Shipment preparation time: 3 days

Fund details**Order amount**

Product Total	Shipping Cost	Adjustment	duty	Store Promotion	Order amount [Ⓜ]	Platform Commission	Affiliate Commission	Amount paid [Ⓜ]
US \$25.10	US \$1.05	US \$0.00	-	-US \$0.00 Details	US \$26.15	-US \$0.06	-US \$0.00	US \$26.09

Payment details

Total amount paid [Ⓜ]	Payment time	Payment method
US \$26.09	2022-05-20 15:59	WM_EBANK

- Orders**
- All Orders
- Refunds & Disputes
- Sale service management
- Export Orders
- Shipping Risk Assessment
- Manage Feedback

- Logistics**
- Aliexpress Logistics Introduction
- Logistic center
- Shipping Templates
- Logistics Service
- Air Mail Orders
- Cainiao Seller Workbench
- Logistic Solution Look-up
- Supply Chain Collaboration Platform

All Orders >

Order Details

Order State



Order



Payment



Shipping



Completion

Completed

Reminder: Order complete time: 2022-07-11 10:30

[Refund the buyer](#)

Shipment Information

Shipping Time	Shipping Method	Tracking number	Actions
2022-06-10 07:22	ePacket	LS386958160CN	View details

Order Overview

Order ID
8017125091334741 [Copy](#)

Buyer
Jeffrey C. Layman
[Contact](#) [Report Buyer](#) [Blacklist](#)

Note
[Edit Note](#)

Receiver Address
Receiver Address [Redacted] United States
Zip Code [Redacted]
Phone [Redacted]
CPF [Redacted]
[Copy](#)

Product Information	Unit Price	Quantity	Amount	Services	Shipping Method
NEKCLI Umbrellas for children Children's foldi... (null null)	US \$25.10	1	US \$25.10		ePacket US \$1.05 Estimated delivery: 37 - 37 working days Shipment preparation time: 3 days

Fund details

Order amount

Product Total	Shipping Cost	Adjustment	duty	Store Promotion	Order amount [Ⓜ]	Platform Commission	Affiliate Commission	Amount paid [Ⓜ]
US \$25.10	US \$1.05	US \$0.00	-	-US \$0.00 Details	US \$26.15	-US \$0.06	-US \$0.00	US \$26.09

Payment details

Total amount paid [Ⓜ]	Payment time	Payment method
US \$26.09	2022-06-08 05:44	WM_EBANK