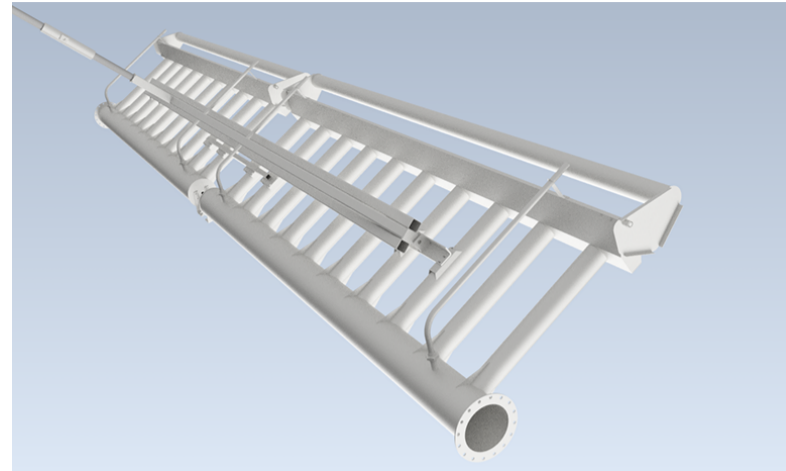
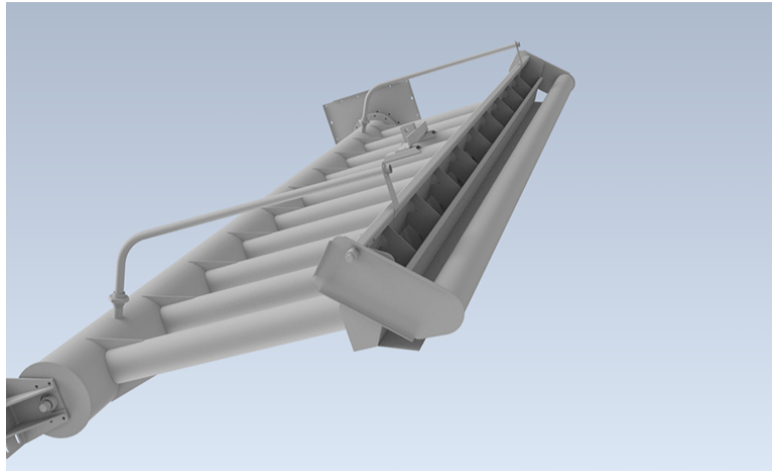
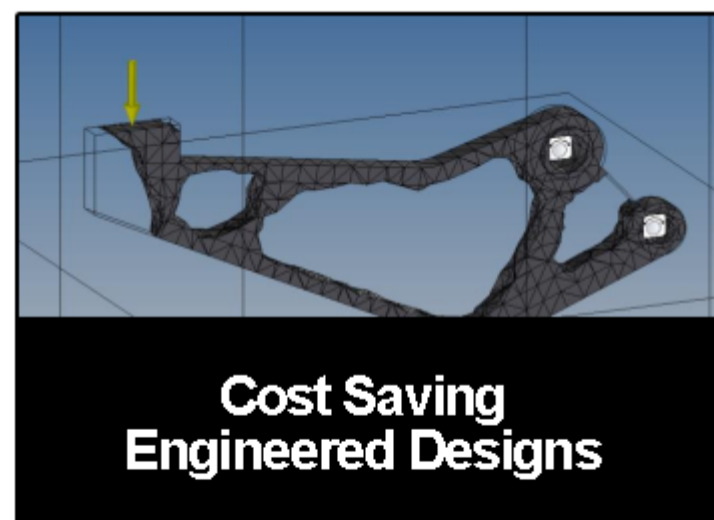
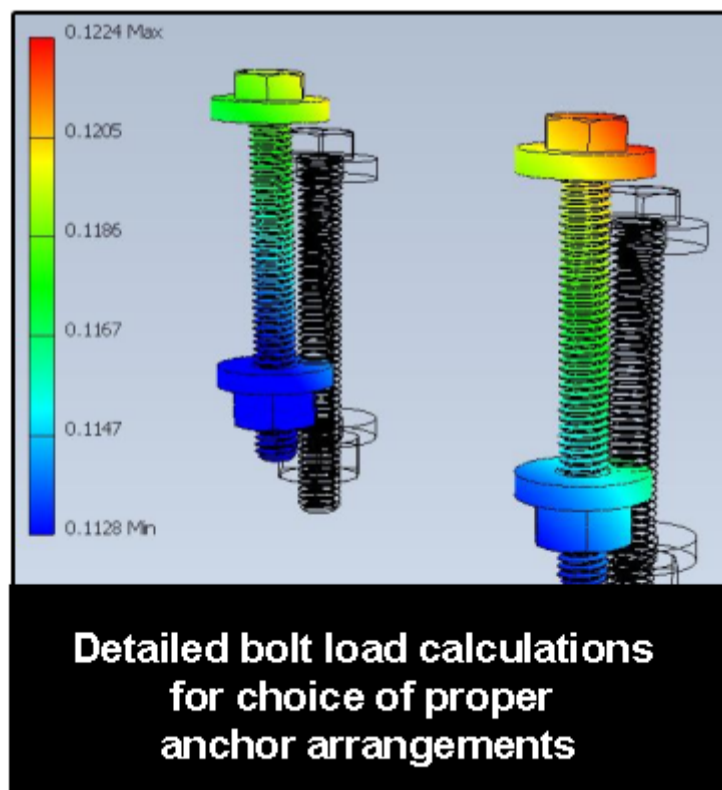
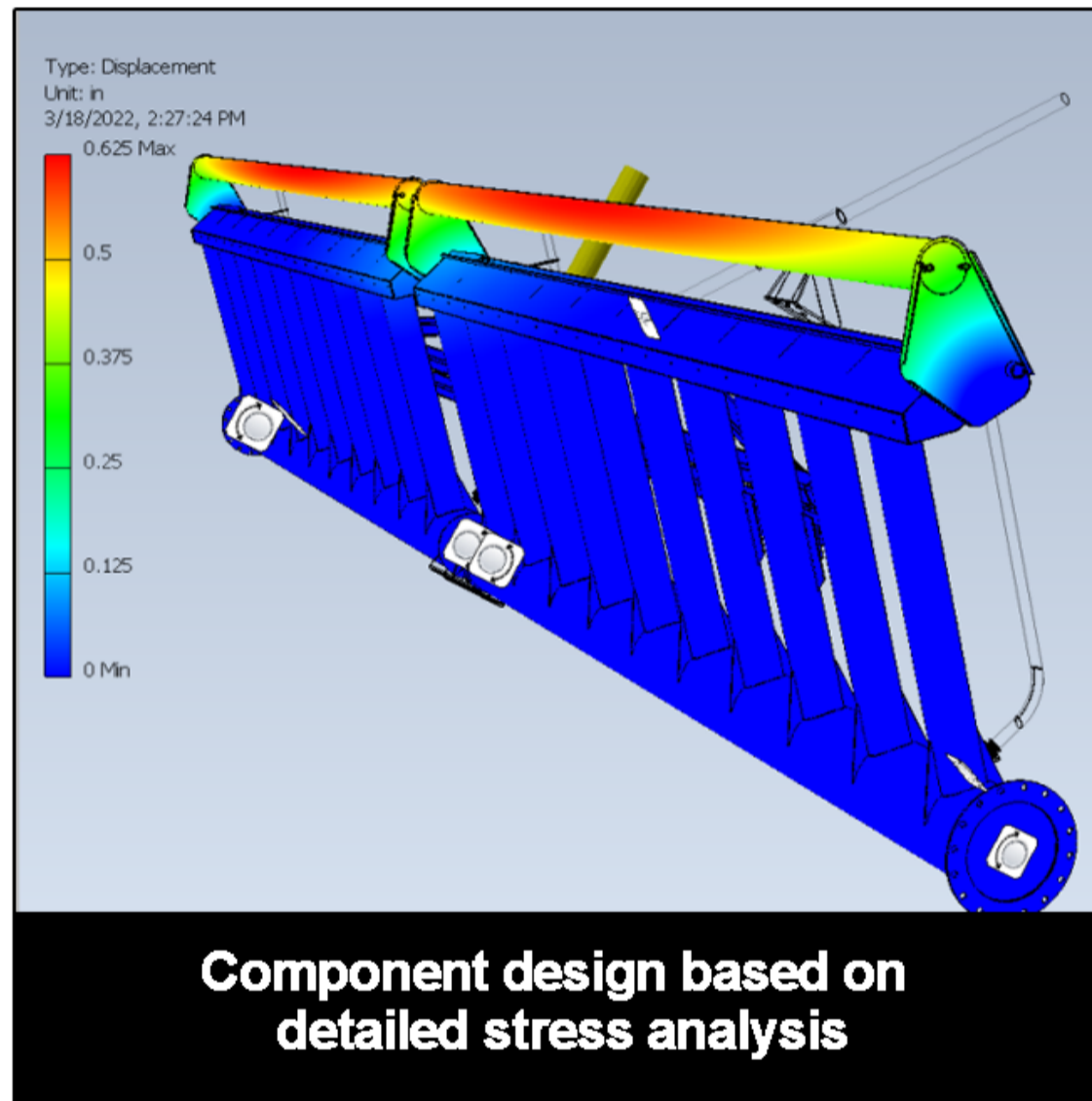


PRODUCTS



End Wall Tilting Trough Decanter

Designs based on detailed stress analysis



Other Build Features:

- Stainless steel 304L and 316 construction
- Single and dual decanter designs

- In-house engineering
- Designs based on detailed stress analysis
- Custom sizes, 4' to 40' weir length
- Leak free swivel joints built in-house
- Fully passivated
- Shape optimized bracket
- Accurate bolt loads for anchor selection
- Rugged efficient design

[LEARN MORE](#)



ARMOR ABJ

4600 Mason Montgomery Rd,
Mason, OH 45040 | 513-923-5600
sales@TheArmorGroup.com

CONTACT US



[Downloads](#)
[Privacy Policy](#)