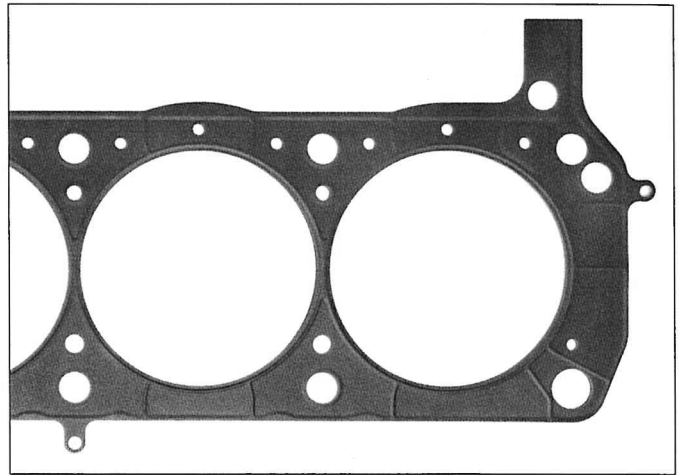
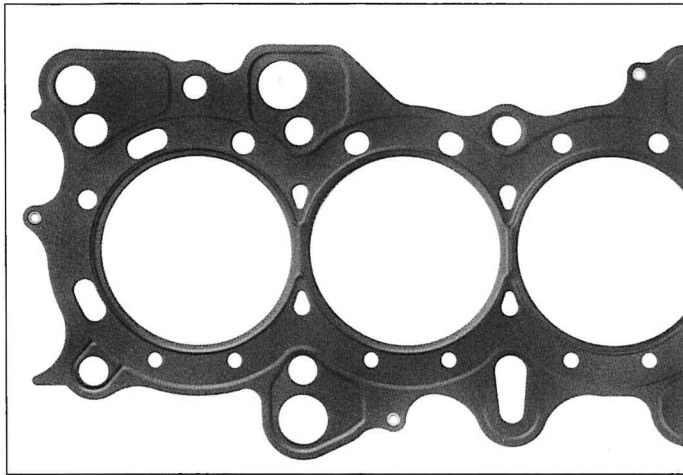




MILS SPARTAN™

MULTI-LAYER STAINLESS STEEL HEAD GASKETS



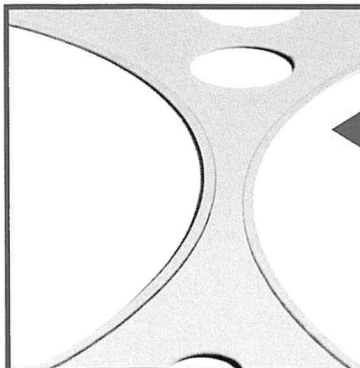
Strong, Simple to Use & Ready for Battle.

Advanced manufacturing ensures trouble free, bolt-on performance without extra sealants.

Available in 4 thicknesses: .028" .039" .051" .067"

No Sealant Required

Constructed of high-grade shape-memory AISI 301 stainless steel. Using state-of-the-art manufacturing processes, the layers maintain optimum flatness. The embossments have uniform molecular grain structure in the radii, which increases spring-contact with the block and head, while reducing stress points within the gasket.



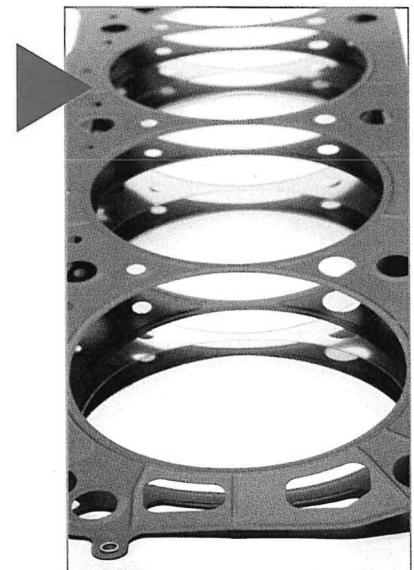
NEW GAS-STOPPER

Feature on selected applications

Concentrates clamp load at critical sealing areas around combustion chambers.

Seals ~15% more HP over standard MLS.

Look for part numbers with 'GS' suffix.
Example: M361051GS



Most Popular · For a complete listing, see SCEgaskets.com or your distributor.

Application		Bore Opening		Compr. Thickness		Part #	Qty.
AMC 390-401 70-74 4.250" X .039"		4.250"	107.95 mm	0.039"	1.00 mm	M292539	1
BMW / MINI COOPER · 1.6L		3.091"	78.50 mm	.035"	0.90 mm	M338476GS	1
CHEVROLET · BB 1965-90 · 396-454 · MARK 4		4.375"	111.13 mm	.039"	1.00 mm	M133739	1
		4.375"	111.13 mm	.051"	1.30 mm	M133751	1
		4.540"	115.32 mm	.039"	1.00 mm	M135439	1
		4.540"	115.32 mm	.051"	1.30 mm	M135451	1
		4.630"	117.60 mm	.028"	0.71 mm	M136328	1
		4.630"	117.60 mm	.039"	1.00 mm	M136339	1
		4.630"	117.60 mm	.045"	1.14 mm	M136345	1
		4.630"	117.60 mm	.051"	1.30 mm	M136351	1
CHEVROLET · BB 91-UP 454 GEN V/VI		4.375"	111.13 mm	.039"	1.00 mm	M143739	1
CHEVROLET LSX	Left	4.201"	106.71 mm	.051"	1.30 mm	M192051L	1
	Right	4.201"	106.71 mm	.051"	1.30 mm	M192051R	1
CHEVROLET · SB 1955-91 · 262-350 ci		4.067"	103.30 mm	.039"	1.00 mm	M110628	1
		4.067"	103.30 mm	.039"	1.00 mm	M110639	1
		4.067"	103.30 mm	.051"	1.30 mm	M110651	1
		4.125"	104.78 mm	.039"	1.00 mm	M110339	1
		4.174"	106.02 mm	.051"	1.30 mm	M111751GS	1
		4.213"	107.01 mm	.039"	1.00 mm	M112139	1
		4.213"	107.01 mm	.051"	1.30 mm	M112151	1
CHEVROLET · SB 1955-91 · 350-410 ci (W/ STEAM HOLES)		4.174"	106.02 mm	.028"	.71 mm	M111728	1
		4.174"	106.02 mm	.039"	1.00 mm	M111739	1
CHEVROLET/GM · LS1-2-3-4 · 1997-05 · 346-376 ci		4.130"	104.90 mm	.051"	1.30 mm	M201351	1
		3.945"	100.20 mm	.039"	1.00 mm	M209439	1
		4.100"	104.14 mm	.039"	1.00 mm	M201039	1
		4.100"	104.14 mm	.051"	1.30 mm	M201051	1
CHRYSLER · 340-360		4.079"	103.60 mm	.039"	1.00 mm	M690839	1
FORD · 289-302-351W		4.048"	102.82 mm	.039"	1.00 mm	M360439	1
		4.100"	104.14 mm	.039"	1.00 mm	M361039	1
		4.155"	105.54 mm	.039"	1.00 mm	M361539GS	1
NISSAN · CA18DE / CA18DET		3.346"	85.00 mm	.051"	1.30 mm	M338135GS	1
NISSAN · SKYLINE RB25/RB26		3.425"	87.00 mm	.051"	1.30 mm	M338144GS	1
NISSAN · SKYLINE RB26		3.445"	87.50 mm	.047"	1.20 mm	M338146GS	1
NISSAN · TB48DE		4.004"	101.70 mm	.077"	1.95 mm	M338439GS	1
SUBARU · EJ255 / EJ257 · 14mm head studs		3.992"	101.39 mm	.039"	1.00 mm	M338465GS	1
SUBARU · EJ205		3.937"	100.00 mm	.039"	1.00 mm	M338235GS	1
SUBARU · EJ205 · 14mm head studs		3.937"	100.00 mm	.039"	1.00 mm	M338448GS	1