

## SB Audience Rosso-65CDN-T Compression Driver-1.4"-neodymium



Price: **\$195.70**

1 [Add to Cart](#)

Manufacturer: SB Audience  
 Product ID : Rosso-65CDN-T  
 Weight: 5.00 lbs  
 Manufacturer: SB Audience  
[E-mail to a friend](#)



**Description**    **Product Reviews**    **Products You May Like**

### SB Audience Rosso-65CDN-T Compression Driver-1.4" - Neodymium magnet version

At SB we believe in the importance of subjective listening during the development process to complement the advanced FEM stimulation, motor optimization, diaphragm design, voice coil technology, adhesives etc. We have done extensive listening and also compared to several high priced competing transducers, and at SB Audience we are really excited about the sound of these new drivers.

The new line of products incorporate a heavy duty distinctive looking cast aluminium rear chamber that visually define the new products. The chamber has been optimized to minimize resonances and absorb reflections.

- Titanium diaphragm
- Neodymium motor assembly
- Copper cap for reduced distortion and extended HF response
- Smooth yet detailed and dynamic character
- High sensitivity and linear frequency response
- Advanced voice coil with flat copper clad aluminum wire

With well over 35 years of experience in professional sound reinforcement drivers, we strive to bring this know-how to the world with the most competitive high quality drivers on the market.

SB Audience is spawned from the heavyweight manufacturing of Sinar Baja Electric Indonesia and has serviced well known brands in the PRO audio industry for decades with in house engineering and manufacturing. There are three categories within our standard product range: Bianco, achieves good performance at the most reasonable cost. Rosso, aims at high performance at an attractive price, and Nero is our higher performance line still achieving exceptional price performance ratio.

Nominal Impedance	8 Ohm
RDC	6.2 Ohm
AES Power Handling (1)	70 W
Maximum Power Handling (2)	140 W
Sensitivity (1W/1m)(3)	112 dB
Frequency Range	500 - 20000 Hz
Recommended Crossover Frequency	1 kHz
Voice Coil Diameter	65 mm (2.56 in)
Winding Material	Flat copper clad aluminium
Former Material	Kapton
Winding Depth	1.8 mm (0.07 in)
Xmax (4)	0.56 mm (0.02 in)
Magnetic Gap Depth	2 mm (0.08 in)
Diaphragm Material	Titanium
Flux Density	1.9 T
Magnet	Neodymium
Demodulation	Copper cap
Phase Plug Design	Annular
Exit Angle	18.36° conical
NET Air Volume filled by HF Driver	0.33 liters

Throat Diameter	35.6 mm (1.4 in)
Overall Diameter	120 mm (4.72 in)
90° Mounting Holes Diameter (4xM6)	102 mm (4.0 in)
Depth	53.94 mm (2.12 in)
Net Weight	2 kg (4.40 lb)
Shipping Box	139 x 121 x 73 mm (5.90 x 10.51 x 6.69 in)
Gross Weight	2.07 Kg (4.56 lb)

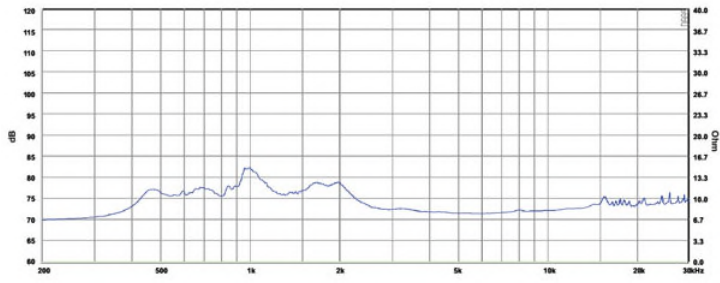
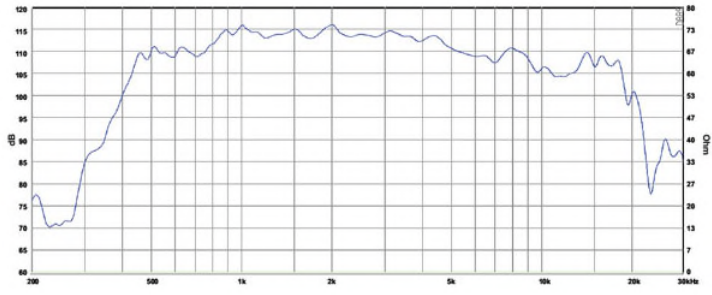
### Replacement Diaphragm

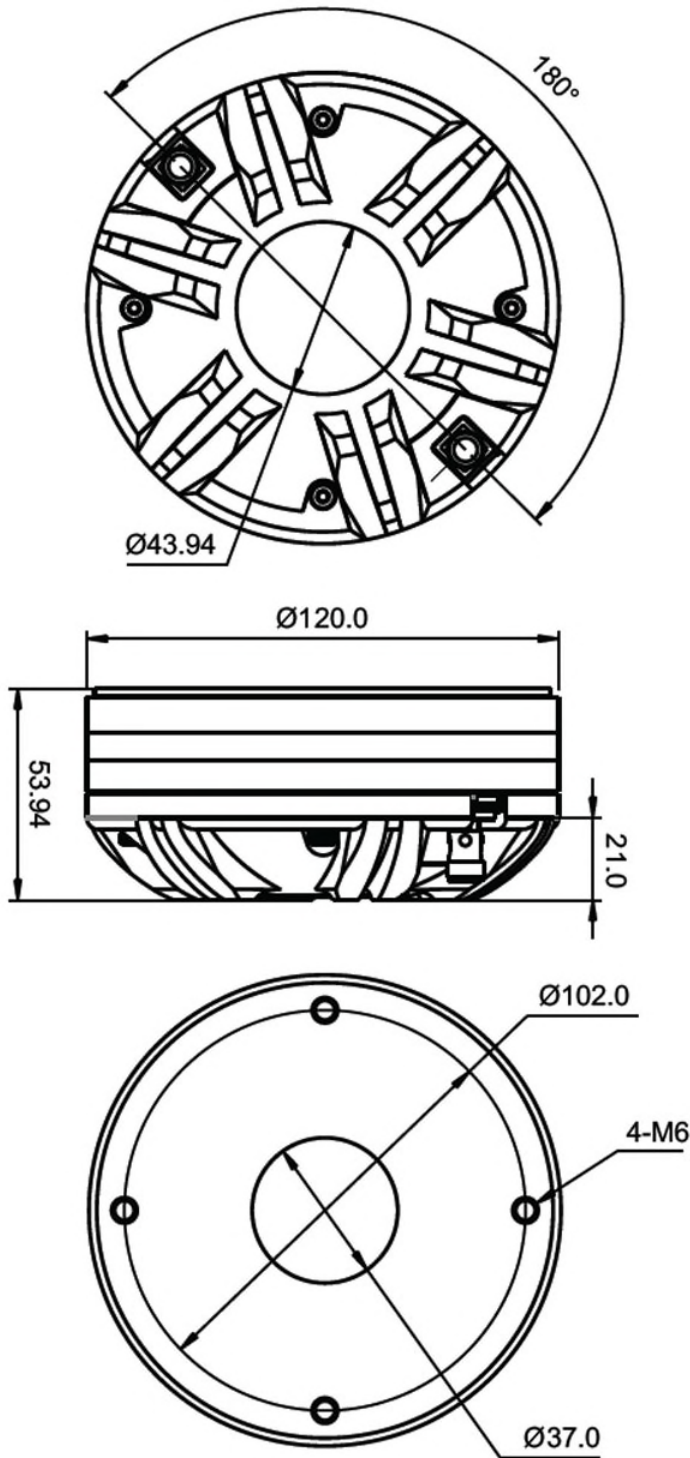
1PTWDDLKL035-RC

#### NOTES :

**Driver mounted on Horn H280**

- (1) 2 hour test made with continuous pink noise signal within the range from the recommended crossover frequency to 20kHz.
- (2) Maximum power is defined as 3dB greater than nominal power.
- (3) Averaged within the frequency range
- (4)  $X_{max} = [(Winding\ depth - magnetic\ gap\ depth)/2] + (Magnetic\ gap\ depth)/3$





## About

Contact Us

About Us

## Search

Filtered Search

Brands

## Policies

Shipping

Returns

## Social

Facebook

Yelp!

## Resources

Speaker Builder Links

Fostex Enclosures

[Store FAQ](#)

[Parts Index](#)

[Payments](#)

[Loudspeaker Forum](#)

[Speaker Calcs](#)

[Amazon.com](#)

[Privacy](#)

[Madisound PDF Library](#)

[Sitemap](#)

[Security](#)

[Crossover Design Library](#)

Looking for fast easy answers or need help accessing our website? Call (608) 831-3433

MON - FRI 9 - 5 CST