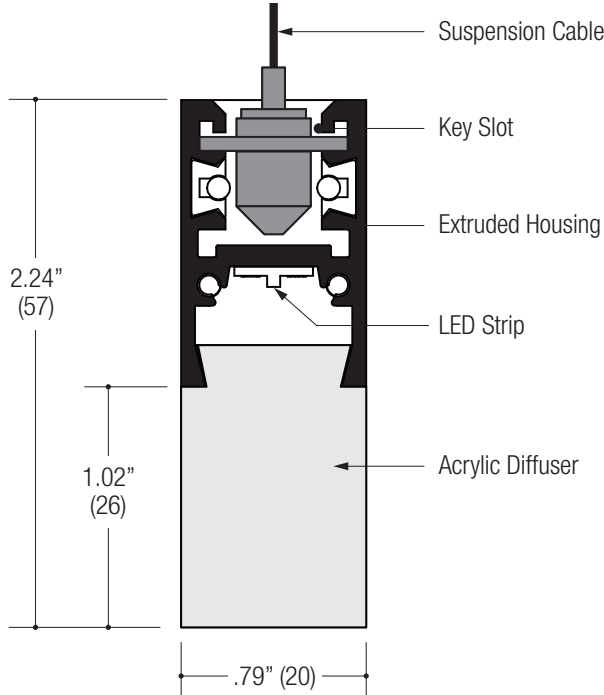


PROJECT	TYPE	CATALOG NUMBER
---------	------	----------------

Measurements in () are metric equivalents.



Specifications

CONSTRUCTION

- .79" (20) wide x 2.24" (57) pendant system
- Die-cast, extruded and injection molded components
- Fixed and adjustable joiners allow for multiple configurations
- Powder coat finish

LED Source

- 5W LED / 400lm per foot
- Dense pitch for uniform output

OPTICS

- Smooth satin white extruded acrylic lens

ELECTRICAL

- Integral wiring
- Integral thermal protection
- Continuous runs

MOUNTING

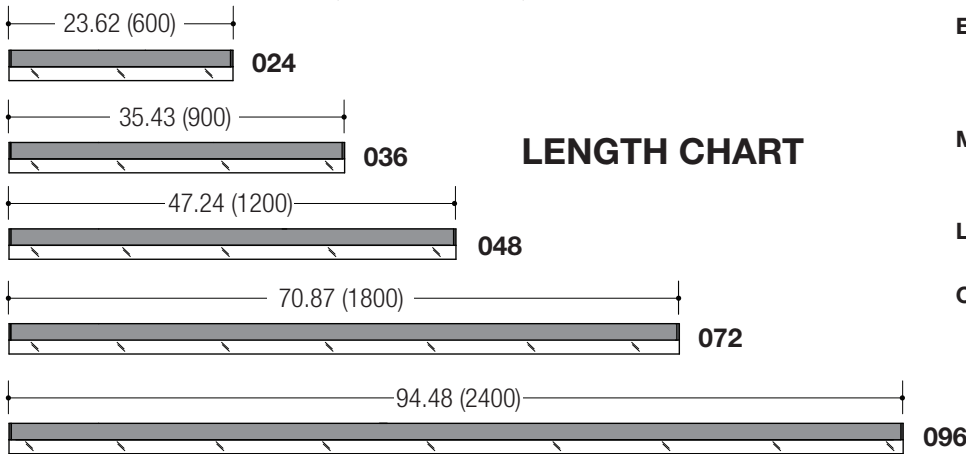
- Aircraft cable suspension with grip-lock hardware and power feed options

LABELS

- Suitable for damp location

COMPONENTS

- See pages 2, 5 and 6 for components (ie, connectors, end caps, mountings, accessory options, etc.)



ORDERING INFO

Patent Pending

SERIES	WATTAGE / FT	CRI / COLOR	LENS	LENGTH	FINISH
GSA GlowSTX™ Mini Section Component	05L 05W LED 400 lm / ft nom.	9027 90CRI / 2700K*	LN Satin white lens	024 24" 2ft	SS Silver
		9030 90CRI / 3000K		036 36" 3ft	WW White*
		9035 90CRI / 3500K*		048 48" 4ft	BB Black*
		9040 90CRI / 4000K*		072 72" 6ft	* Made to Order (Longer lead time)
				096 96" 8ft	
GSA					

Ordering Example: **GSA-05L-9030-LN-048-SS**



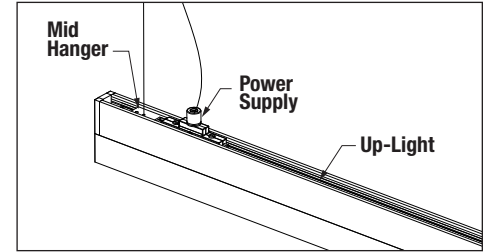
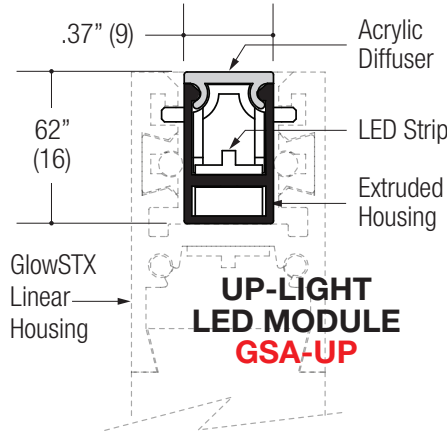
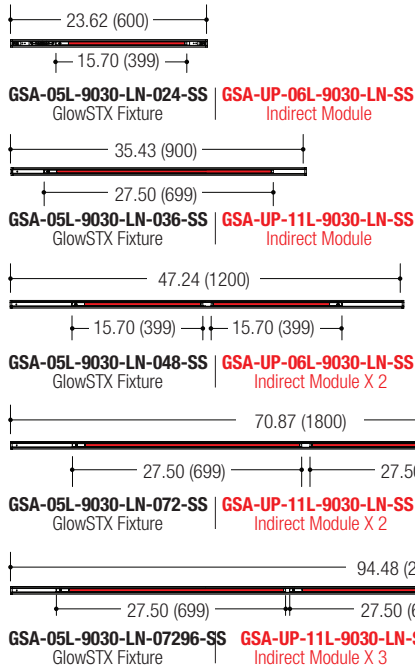
5 YEAR WARRANTY

Limited

PROJECT	TYPE	CATALOG NUMBER
---------	------	----------------

Measurements in () are metric equivalents.

Sample Layout



Specifications

CONSTRUCTION

- .37" (9) wide x .62" (16) up-light LED accent
- Die-cast, extruded and injection molded components
- Powder coat finish

LED Source

- 6W LED / 360lm per foot
- 11W LED / 497lm per foot
- Dense pitch for uniform output

OPTICS

- Smooth satin white extruded acrylic lens

ELECTRICAL

- Integral wiring
- Integral thermal protection

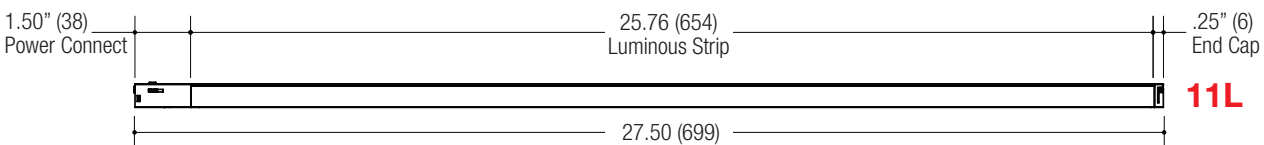
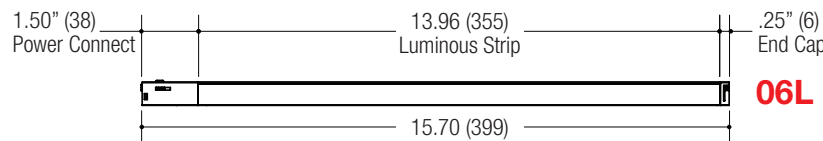
MOUNTING

- Sits into GSA upper channel

LABELS

- Suitable for damp location
- Patent Pending

GSA-UP ORDERING LENGTHS



ORDERING INFO

SERIES	WATTAGE / FT	CRI / COLOR	LENS	FINISH
GSA-UP GlowSTX™ Mini Section Up-Light Component	06L 06W LED (5W/ft) 247 lm / nom.	9027 90CRI / 2700K*	LN Satin white lens	SS Silver
		9030 90CRI / 3000K		
	11L 11W LED (5W/ft) 497 lm / ft nom.	9035 90CRI / 3500K*		
		9040 90CRI / 4000K*		
		* Made to Order (Longer lead time)		
GSA-UP				

Ordering Example: **GSA-UP-06L-9030-LN-SS**



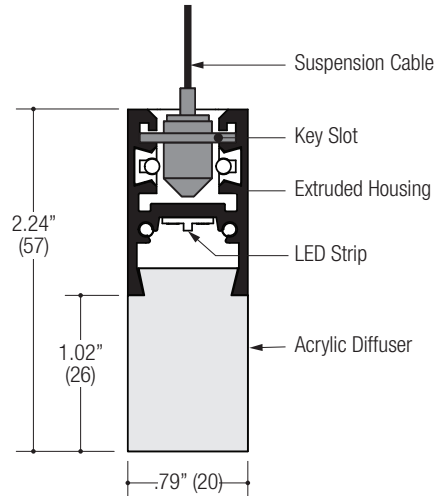
5 YEAR WARRANTY
Limited

PROJECT

TYPE

CATALOG NUMBER

Measurements in () are metric equivalents.



accessory options, etc.)

Specifications

CONSTRUCTION

- .79" (20) wide x 2.24" (57) tall pendant system
- Die-cast, extruded and injection molded components
- Fixed and adjustable joiners allow for multiple configurations
- Powder coat finish

LED Source

- 5W LED / 400lm per foot
- Dense pitch for uniform output

OPTICS

- Smooth satin white extruded acrylic lens

ELECTRICAL

- Integral wiring
- Integral thermal protection
- Continuous runs
- **NOTE:** Curved sections may NOT be directly fed electrically. They must be fed from an adjacent connector or section

MOUNTING

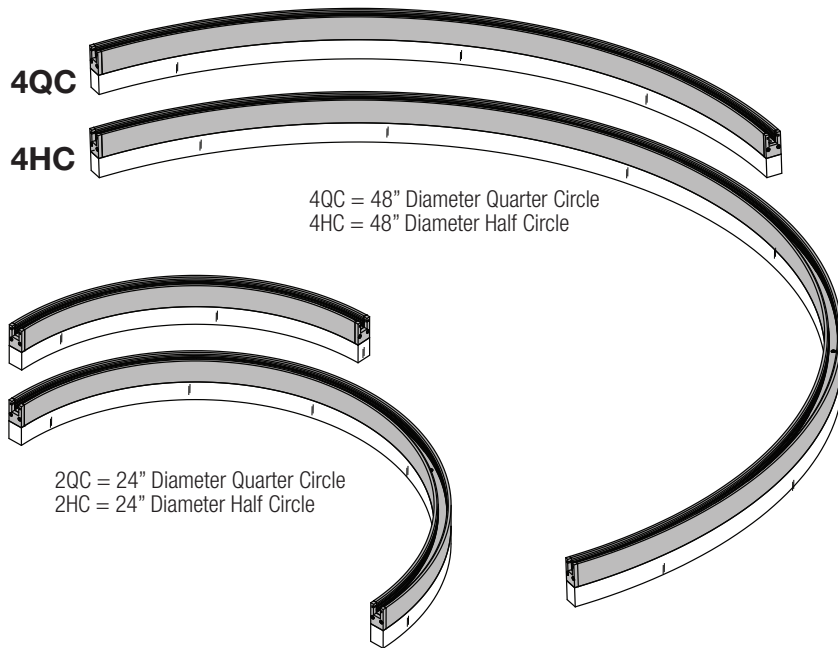
- Aircraft cable suspension with grip-lock hardware and power feed options

LABELS

- Suitable for damp location

COMPONENTS

- See pages 5 and 6 for components (ie, connectors, end caps, mountings,



ORDERING INFO

Patent Pending

SERIES	WATTAGE / FT	CRI / COLOR	LENS	LENGTH	FINISH
GSA GlowSTX™ Mini Section Component	05L 05W LED 400 lm / ft nom.	9027 90CRI / 2700K*	LN Satin white lens	2QC 24" Quarter Circle (8W)	SS Silver WW White* BB Black*
		9030 90CRI / 3000K		2HC 24" Half Circle (15W)	
		9035 90CRI / 3500K*		4QC 48" Quarter Circle (15W)	
		9040 90CRI / 4000K*		4HC 48" Half Circle (30W)	
		* Made to Order (Longer lead time)			* Made to Order (Longer lead time)
GSA					

Ordering Example: **GSA-05L-9030-LN-2QC-SS**

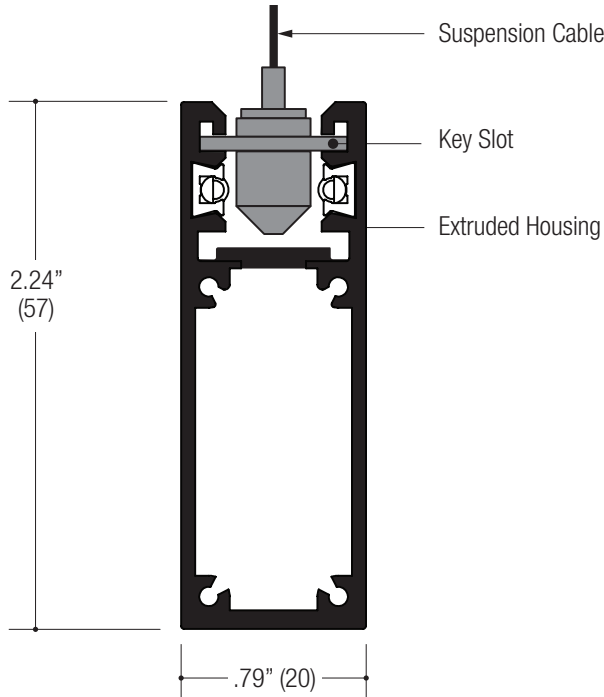


5 YEAR WARRANTY

Limited

PROJECT	TYPE	CATALOG NUMBER
---------	------	----------------

Measurements in () are metric equivalents.



Specifications

CONSTRUCTION

- .79" (20) wide x 2.24" (57) pendant system
- Die-cast housing
- Fixed and adjustable joiners allow for multiple configurations
- Will accept upright linear module or top mount
- Powder coat finish

ELECTRICAL

- Integral wiring
- Continuous runs

MOUNTING

- Aircraft cable suspension with grip-lock hardware and power feed options

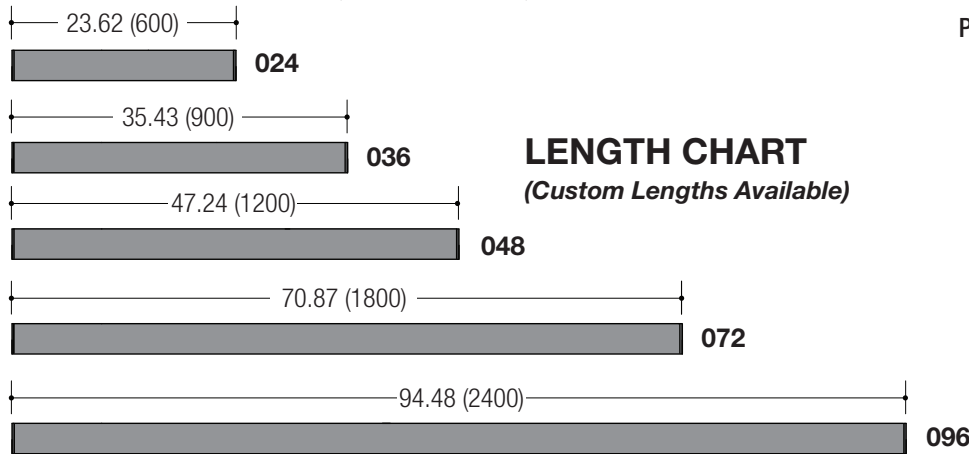
LABELS

- Suitable for damp location

COMPONENTS

- See pages 2, 5 and 6 for components (ie, connectors, end caps, mountings, accessory options, etc.)

Patent Pending



LENGTH CHART (Custom Lengths Available)

ORDERING INFORMATION

SERIES	LENGTH	FINISH
GSA-ONS	024 24" 2ft	SS Silver
	036 36" 3ft	WW White*
NiteSTX™ Mini Section Component	048 48" 4ft	BB Black*
	072 72" 6ft	
	096 96" 8ft	
	*** Order to the nearest inch. (i.e. 013)	* Made to Order (Longer lead time)
GSA-ONS		

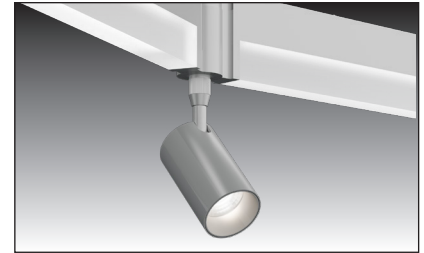
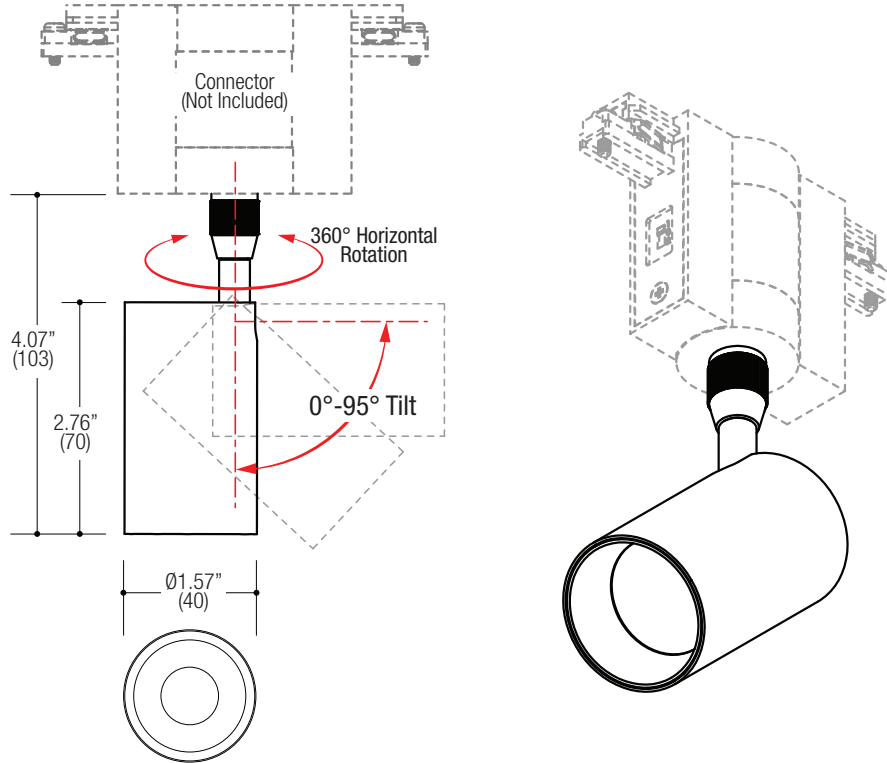


Ordering Example: **GSA-ONS-048-SS**

PRODUCT	DETAIL	CATALOG #	DESCRIPTION	FINISH
		GSA-STR	Straight Fixed Seamless Powered Connection	SS Silver WW White* BB Black* * Made to Order (Longer Lead Times)
		GSA-SJN	Straight Fixed Seamless Non-Powered Connection	
		GSA-END	End Node Powered Connection • Integral Circuit Selection Switch • Removable Cap for Accent Spot Light	SS Silver WW White* BB Black* * Made to Order (Longer Lead Times)
		GSA-2WY	Two Way Powered Connection • Integral Circuit Selection Switch • Removable Cap for Accent Spot Light • 60° Min. Horizontal Distance In-Between Connections	SS Silver WW White* BB Black* * Made to Order (Longer Lead Times)
		GSA-3WY	Three Way Powered Connection • Integral Circuit Selection Switch • Removable Cap for Accent Spot Light • 60° Min. Horizontal Distance In-Between Connections	SS Silver WW White* BB Black* * Made to Order (Longer Lead Times)
		GSA-4WY	Four Way Powered Connection • Integral Circuit Selection Switch • Removable Cap for Accent Spot Light • 60° Min. Horizontal Distance In-Between Connections	SS Silver WW White* BB Black* * Made to Order (Longer Lead Times)
		GSA-2WV	Two Way Powered Vertical Connection • Integral Circuit Selection Switch • Suspension Capable • 90° Vertical Tilt	SS Silver WW White* BB Black* * Made to Order (Longer Lead Times)
		GSA-CAP	GlowSTX End Cap (Sold in Pairs) NiteSTX End Cap (Sold in Pairs)	SS Silver WW White* BB Black* * Made to Order (Longer Lead Times)
		GSA-TOP	Powered Top Mount for Spot Accent Light	SS Silver WW White* BB Black* * Made to Order (Longer Lead Times)
		GSA-2NS	Two Light NiteSTX 7.36" Length (End Cap Sold Separately) • Will accept powered top mount	SS Silver WW White* BB Black* * Made to Order (Longer Lead Times)

PROJECT	TYPE	CATALOG NUMBER
---------	------	----------------

Measurements in () are metric equivalents.



Specifications

TRACKHEAD

- 1.57" diameter spot
- 0° - 95° vertical tilting / 360° horizontal rotation
- Constant friction
- Die cast aluminum housing
- LED optical grade TIR reflector
- Powder coat finish

LED SOURCE



- 7W / 540lm, (@ 92CRI min / 3000K)
- Field replaceable optics available
- Will accept 1 additional media accessory

MOUNTING

- Screw in to Connector

LABELS

- Suitable for damp location

Patent Pending

ORDERING INFO

SERIES	WATTAGE	CRI / COLOR	BEAM	FINISH
GSA01A GlowSTX™ SPOT ACCENT Die-Cast Aluminum Adjustable Aim	07C 7W LED 540 lm Delivered @ 92CRI / 3000K	9227 92CRI / 2700K* 9230 92CRI / 3000K 9235 92CRI / 3500K* 9240 92CRI / 4000K* * Made to Order (Longer lead time)	N Narrow 15° Installed M Medium 24° Included W Wide 38° Included	SS Silver WW White* BB Black* * Made to Order (Longer lead time)
GSA01A				

Ordering Example: **GSA01A-07C-9230-M-SS**



5 YEAR WARRANTY

Limited

OPTICAL ACCESSORY	DESCRIPTION	LIGHT SOURCE
		LED FILM
	Prismatic Spread Lens	OPT-GSA01A-L-PSL
	Diffusion Lens	OPT-GSA01A-L-DFL
	Linear Spread Lens	OPT-GSA01A-L-LSL

PROJECT	TYPE	CATALOG NUMBER
---------	------	----------------

Measurements in () are metric equivalents.

SUPL Power Supply Kit

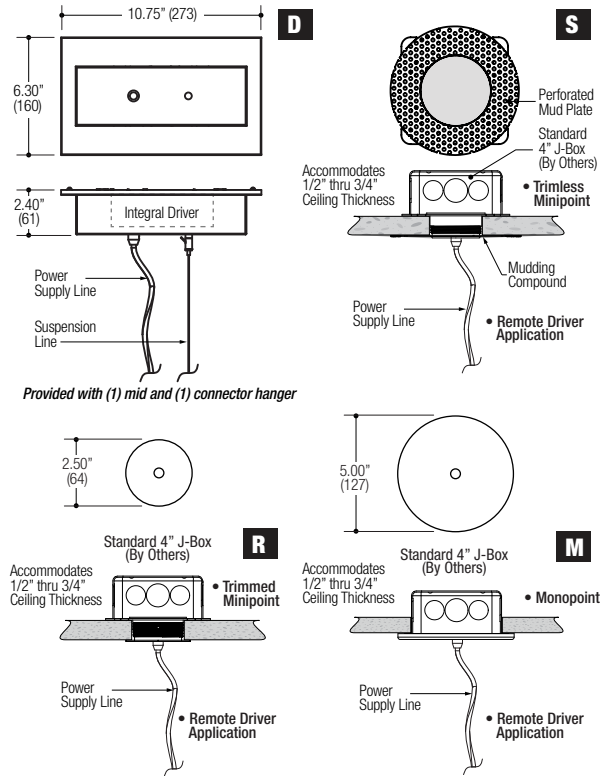
- Four Mounting Options
- Power Supply Line 8' Overall Length
- 90W Constant Voltage Power Supply (120-277V) Input Voltage
- 0-10V Dimmable
- Connecting Hardware
- Standard J-Box Surface Mounting Hardware
- **NOTE:** Curved Sections must be fed from an adjacent connector or section

ORDERING INFO

Patent Pending

SERIES	TYPE	LENGTH	POWER SUPPLY	FINISH
GSA-SUPL POWER SUPPLY KIT	D Integral Driver Canopy	096 96" - 8' ft	D2U 0-10V Dimmable Universal Input Voltage	SS Silver
	S* Trimless Minipoint			WW* White
	R* Trimmed Minipoint			BB* Black
	M* Monopoint			
	* Remote Driver Required (Sold Separately)		NAO No Driver Supplied / Order Separately	* Made to Order (Longer lead time)
GSA-SUPL				

Ordering Example: **GSA-SUPL-D-096-D2U-SS**



REMOTE DRIVER

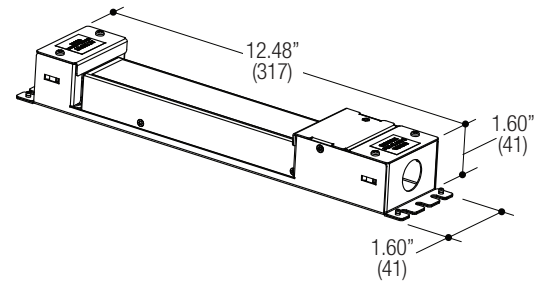
ORDERING INFO

SERIES	DESCRIPTION
GSA-100WDRVR-D2U REMOTE DRIVER	EFORE 24V CV LED Driver 0-10V Dimmable (120-277V Only)
GSA-100WDRVR-D2U	

Ordering Example: **GSA-100WDRVR-D2U**

Remote Driver Application Types

- "S" Minipoint
- "R" Minipoint
- "M" Monopoint



SUSP

Suspension Kit

- Standard Ceiling Attachment
- 15/16" Tee-Grid Attachment
- Screw in Connector Hanger
- Slide in Channel Mid Hanger / Mid-Hanger Curved

ORDERING INFO

Patent Pending

SERIES	TYPE	LENGTH	FINISH
GSA-SUSP SUSPENSION KIT	C Connector Hanger	096 96" - 8' ft	SS Silver
	M Mid Hanger		
	MCV Mid Hanger Curved Section		
GSA-SUSP			

Ordering Example: **GSA-SUSP-C-096-SS**

