

Return to Product List



YANC



YANC Patio Door Handle Set, Sliding Door Handle Set (Handle + Latch Combo) | 2-Handle White Diecast Replacement for Sliding Doors | 3-15/16" Hole Spacing for Mortise Style Locks

★★★★★ (237) Write a review

Facebook Twitter Google Plus Pin It

Item Number: # 1000187

Skype online

Msn online

Brand: YANC

Color: White



Size: 8 x 3 x 3 inches

Price: 33% Off US\$25.99 USD \$38.69 Save \$12.7

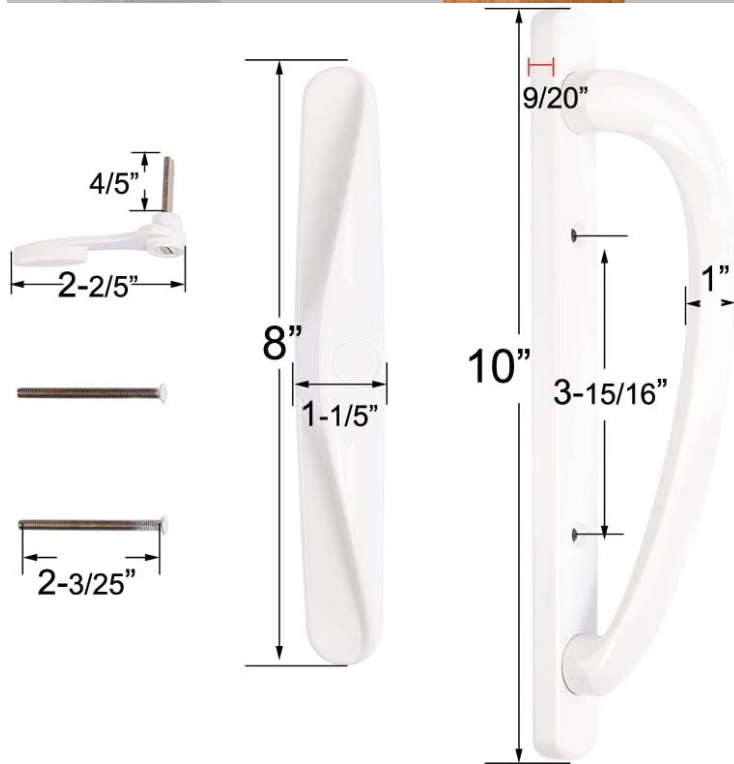
Quantity: 1

Add to Cart

Favorite [237]

Description How to buy How to pay How to shipping Contact us

- BEST VALUE: Our Replacement Patio Door Handle + Mortise Patio Door / Sliding Door Lock Is The Best Value You'll Find. No Need To Pay More For Nuisance Parts To Replace Your Old Or Broken White Handle and Latch!
INSTALLATION MADE EASY: This Is A DIY Project In the Bag. For Handles With 3-15/16" Hole Spacing & A Mortise (Latching Style) Lock. Remove 2 Screws from Existing Handles, Insert Latch, Align Inside And Outside Handles With Pre-Drilled Door Holes, Insert Screws, Tighten And Your Done. Includes 6 Screws with 3 Different Sizes: Large 2.16", Medium 1.96", Small 1.57"
REVERSIBLE DOOR HANDLE & MORTISE LOCK: Also Known As "Non-Handed. Our Handle Is Design for Right or Left-Handed Or The Door That Opens From The Left Or The Right, YOUR CHOICE! Comes with Sliding Door Latch Replacement
COST EFFECTIVE & ELEGANT DESIGN with NON-KEYED FUNCTION: Why Pay More? Our Die-Cast Metal White Finish Design Goes Great With Your White Door Or Can Create a POP For Any Other Colored Door. **ATTENTION: The exterior diecast pull is non-keyed. This handle IS NOT CONVERTIBLE WITH KEY FUNCTION AT THIS TIME!

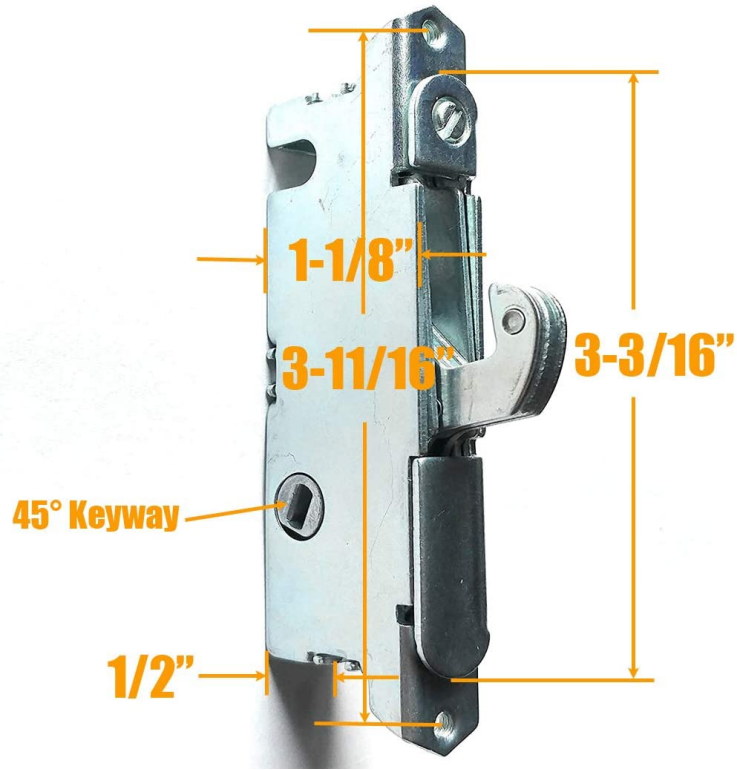


Package Included:



Elegant Design





YANC





0000009

User evaluation

TOP

Name: **James Gibbs**



2021-03-11

Man, let me tell you. I contacted a Handy Man service and they wanted \$175 to come out and replace the patio door handle. I looked up the part I needed in Amazon, order parts at a fraction of the cost. It was so easy, even I, a computer guy, was able to replace the patio handle in less than 30 mins.

Re:

Name: **Mike L**



2021-04-01

This was an easy install, but only because I have done these before. There were no directions in the packaging but it should be ok for most to figure. Looks and works better than the original.

Re:

Name

Rank

 ★★★★★
 ★★★★☆
 ★★★☆☆
 ★★☆☆☆
 ★☆☆☆☆

Content

Submit

*Please login to your account

Related products

TOP

Contact Information

Email:
 iewfs1@gmail.com
Skype online **Msn online**
 In your shopping in the process to have any problem. Please contact us. We will reply you fastest. Let your shopping very happy.

Service & Support

- How to pay
- How to shipping
- How to buy
- About us
- Contact us
- Feedback
- News

Member management

- Register
- login
- Member Center
- Shopping Cart
- My favorites
- Checkout

Help Center

More>>

