

Flexile**LG**
LINEAR

tivoli

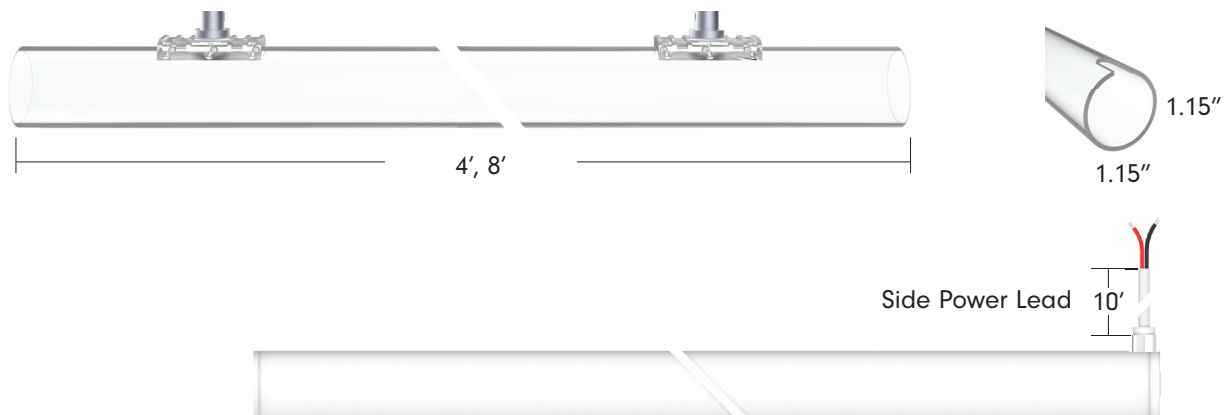


Project: _____ Type: _____

Product Features

- Lighted surface illuminates 360° uniformly without any shadowing
- Multiple lengths with horizontal mounting options for various applications
- High luminous efficiency with LM80 report
- UV Stabilized with food-grade environmental silicone housing (no yellowing or cracking)
- Resistance to saline solutions, acids, alkali, and corrosive gases
- Low Voltage 24V DC

Dimensions



Order Specification Guide

PRODUCT CODE	PROFILE	LED COLOR	LENGTH	VOLTAGE
FLXPNDTH	LG			24
FLXPNDTH = Flexile Horizontal Pendant	LG = Large	23 = 2300K 27 = 2700K 30 = 3000K 40 = 4000K	048 = 4' 096 = 8'	24 = 24V DC



Specifications

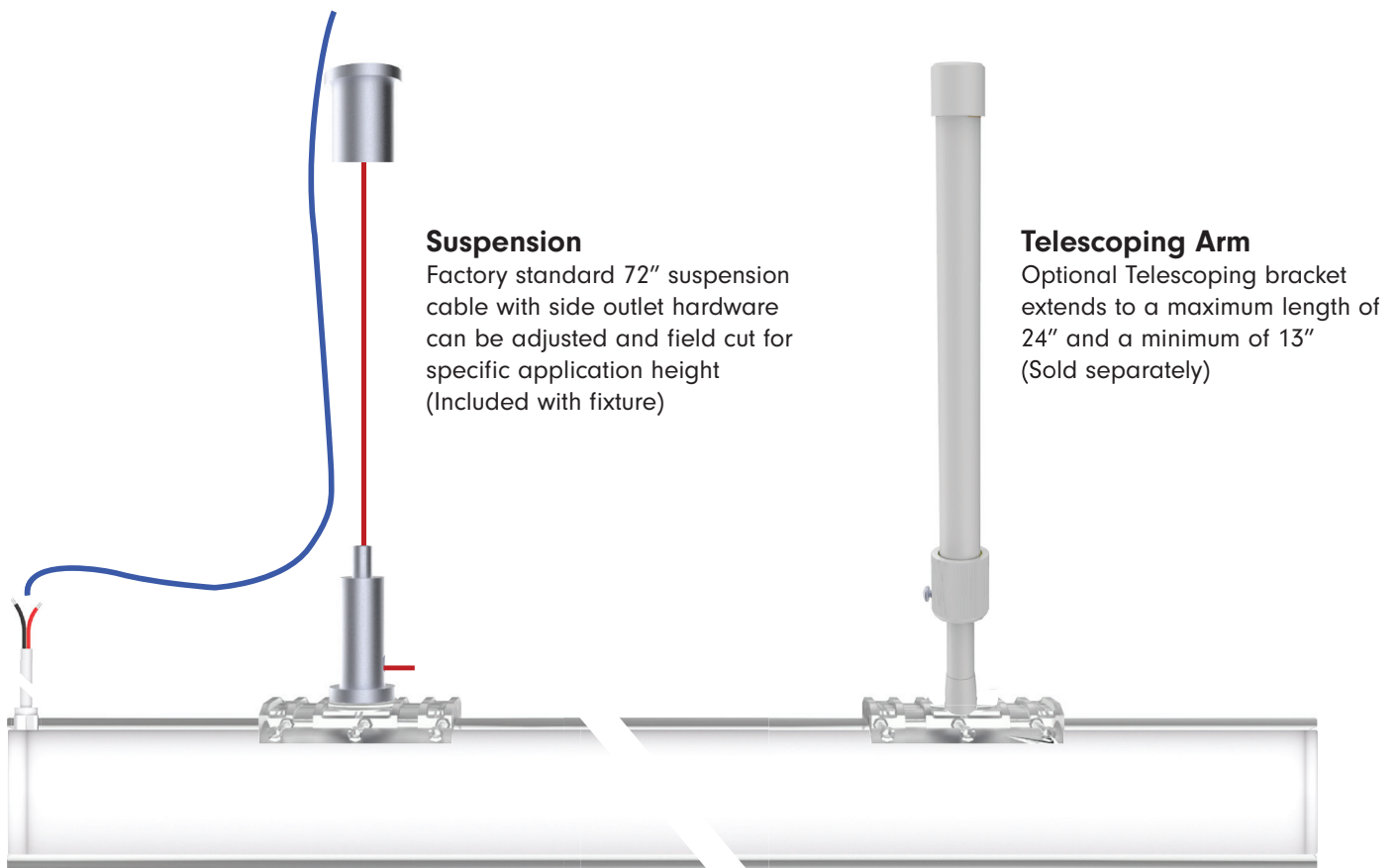
LED Intensity	2300K	2700K	3000K	4000K
Lumens (lm/ft)	300	325	333	345
Beam Angle	360°			
Efficacy (lm/W)	66.6	72.4	74	76.6
CRI	95	95	95	95
Electrical				
Dimming	TRIAC, ELV, MLV, 0-10V, DMX			
Input Voltage	24V DC			
Power Consumption (W/ft)	4.5			
Maximum Electrical Run	20'			
Physical				
Dimensions (DIA) PC Tube	1.15"			
Dimensions (DIA) Flexile	0.98"			
Material (Flexile)	Silicone			
Material (Tube)	PC			
Storage Temperature	-0°C / -32°F ~ 60°C / 140°F			
Working Temperature	-20°C / -68°F ~ 55°C / 131°F			
Certification and Testing				
Certification	UL, CE, RoHS, IK08			
Environment	Dry Locaiton			
Rated Hours (TM80)	70,000 hrs.			
Warranty	3 Years			

Mounting Options

— Cable Feed Direction
 — Power Feed Direction

Mounting Points

Two suspension points are pre-molded onto PC tube for precise weight distribution

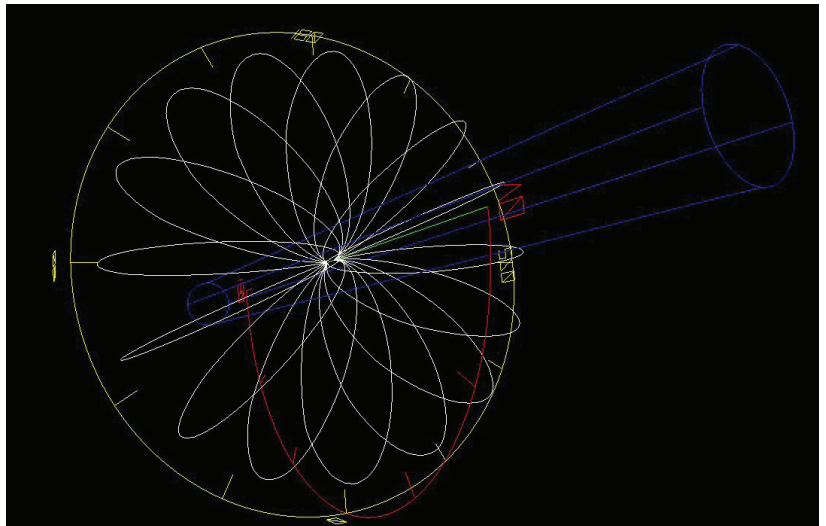
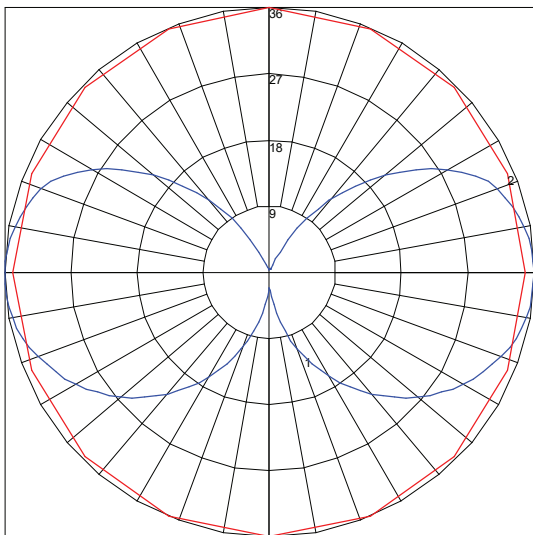
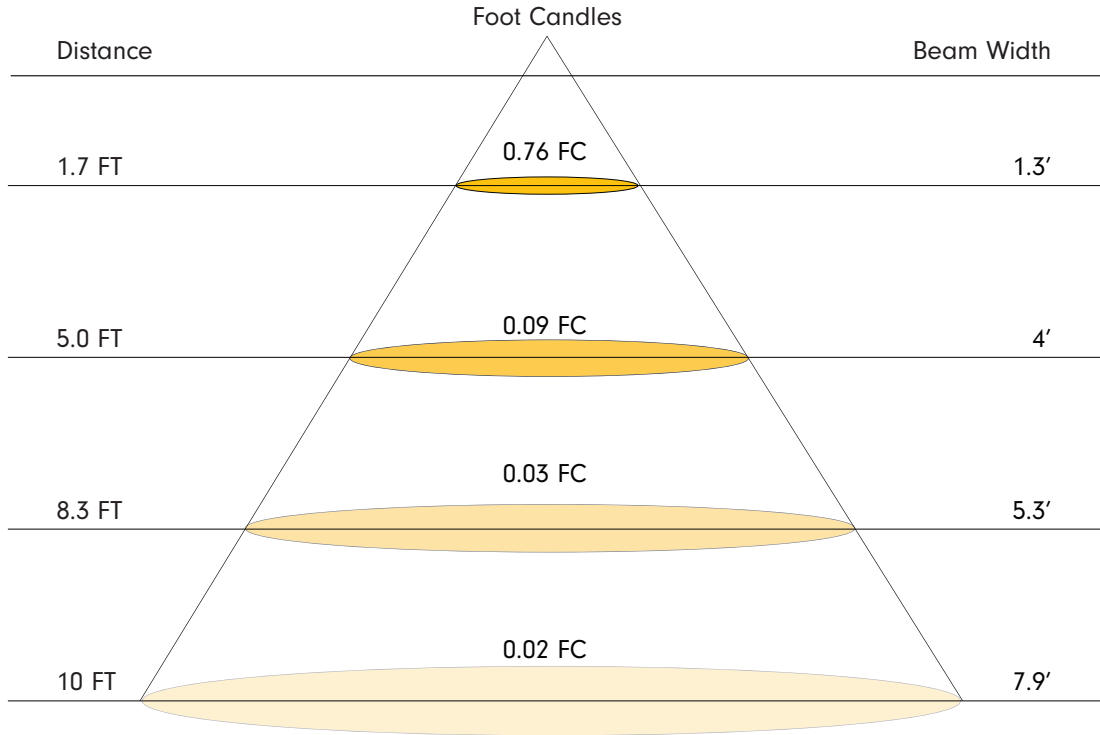


Power Line

A small notch on the end of the PC tube allows for the power lead to rise up and out, producing end-to-end light within the tube length

Photometrics

Note: Data is based on 3000K



Maximum Candela = 35.8 Located At Horizontal Angle = 90, Vertical Angle = 87.5
 # 1 - Vertical Plane Through Horizontal Angles (90 - 270) (Through Max. Cd.)
 # 2 - Horizontal Cone Through Vertical Angle (87.5) (Through Max. Cd.)

Replacement Parts



FLX-LG-H-X-PNDT

X = 4 (46"), 8 (96")
Horizontal pendant clear polycarbonate tube includes two 72" cables and hardware



CNPY-5-XX

XX = BK (black), WH (white), NA (natural aluminum)
5" dia. electrical canopy



FLX-LG-TEL-MTBK-2

Telescoping bracket extends to maximum length of 24" and a minimum of 13"

Power Supplies - Indoor & Outdoor Cont.

INFINITY - MLV / ELV / 0-10V / PWM / TRIAC DIMMING

DESCRIPTION	CAT NO	APPLICATION	PRIMARY VOLTAGE	SECONDARY VOLTAGE	CIRCUIT BREAKERS	MIN LOAD	MAX LOAD	CIRCUIT CAPACITY
Infinity Series Class 2 Transformer	INF-J-30-1-1.3-24	Indoor / Outdoor	100 - 277V AC	24V DC	1	3W	30W	1.3A
	INF-J-60-1-2.5-24				1	6W	60W	2.5A
	INF-J-96-1-4-24				1	9W	96W	4A
	INF-J-192-2-4-24				2	2x9W	2x96W	2x4A
	INF-J-288-3-4-24				3	3x9W	3x96W	3x4A

Power Supplies - Indoor Only

ADUL - NON DIMMING

DESCRIPTION	CAT NO	APPLICATION	PRIMARY VOLTAGE	SECONDARY VOLTAGE	CIRCUIT BREAKERS	MAX LOAD	CIRCUIT CAPACITY
ADUL Series Class 2 Transformer	ADUL-120-1-4-24-D	Indoor / Damp	100-277V AC 5% ₆₀ HZ	24V DC	1	96W	4A
	ADUL-240-2-4-24-D				2	2x96W	2x4A
	ADUL-320-3-4-24-D				3	3x96W	3x4A

ADUL - 0-10V DIMMING

DESCRIPTION	CAT NO	APPLICATION	PRIMARY VOLTAGE	SECONDARY VOLTAGE	CIRCUIT BREAKERS	MAX LOAD	CIRCUIT CAPACITY
ADUL Series Class 2 Transformer	ADUL-120-1-4-24-DOT	Indoor / Damp	100-277V AC 5% ₆₀ HZ	24V DC	1	96W	4A
	ADUL-240-2-4-24-DOT				2	2x96W	2x4A
	ADUL-320-3-4-24-DOT				3	3x96W	3x4A

ADUL - DMX SUB CONTROLLER (Single Address)

DESCRIPTION	CAT NO	APPLICATION	PRIMARY VOLTAGE	SECONDARY VOLTAGE	CIRCUIT BREAKERS	MAX LOAD	CIRCUIT CAPACITY
ADUL Series Class 2 Transformer	ADUL-120-1-4-24-DIN	Indoor / Damp	100-277V AC 5% ₆₀ Hz	24V DC	1	96W	4A
	ADUL-240-2-4-24-DIN				2	2x96W	2x4A
	ADUL-320-3-4-24-DIN				3	3x96W	3x4A

ADUL - DMX SUB CONTROLLER (Multi Address)

DESCRIPTION	CAT NO	APPLICATION	PRIMARY VOLTAGE	SECONDARY VOLTAGE	CIRCUIT BREAKERS	MAX LOAD	CIRCUIT CAPACITY
ADUL Series Class 2 Transformer	ADUL-240-2-4-24-DIN-2	Indoor / Damp	100-277V AC 5% ₆₀ Hz	24V DC	2	2x96W	2x4A
	ADUL-320-3-4-24-DIN-3				3	3x96W	3x4A