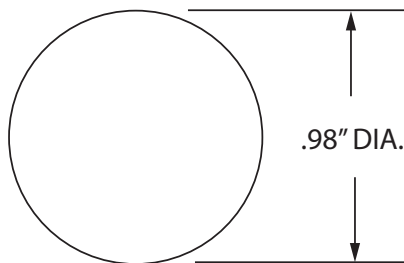
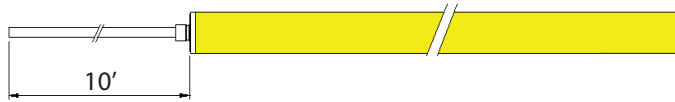


Profiles



**Please verify the contents of the packages!**

**Please read instructions entirely before starting installation**

**Be sure power is turned off before installing the system**

**Call Tivoli, LLC tech support with questions**

**Caution:** Flexile LG is designed to work with listed class 2 24V DC transformers only. Use of any other power source will cause damage, shorten the life of the fixture and will void the warranty.

**Consult** any and all applicable local and national codes for installation

**Do not** conceal or extend exposed conductors through a building wall as per local electrical code.

**Warning:** With any luminaire for any application, basic safety precautions should always be followed to reduce the risk of fire, electric shock and personal injuries. This lighting system should be installed by a certified professional.

Overview



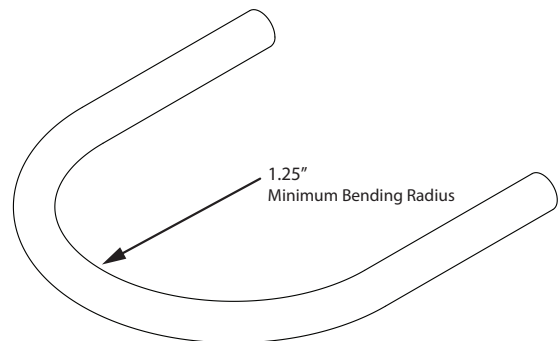
Flexile is a rugged and flexible 360° Lighting unit that replicates the warm glow of neon. Bend Flexile to a variety of shapes. The fixture material is resistant to saline solutions, acids, alkali, and corrosive gasses. Additionally, the exterior housing material is made with UV stabilized food-grade environmental silicone which is designed for outdoor use. There will be no yellowing or cracking.

**WARNING!** Risk of Product Damage.  
Do not immerse in water as product damage may result. Flexile is rated IP65 for outdoor use.

**WARNING!** Risk of Shock.  
Do not cut into this product in any way. Flexile is not designed to be cut in the field. Determine length requirements when ordering from the factory.

This instruction covers 9 available methods for attaching Flexile to mounting surfaces: Clear Plastic clips, Short Channel Clips, Long Channels, Low-Profile Brackets, Splicing Connectors, Flush Mounting brackets, Suspension Cables, and Telescoping arms. Use the different Clips and Low-Profile Brackets for tighter curves and more intricate patterns. Use the 6.5' Long Mounting Channel for long straight runs. Use splicing connectors to secure two ends of flexile together. Use the Flush mounting brackets to mount Flexile ends to a flat surface. Suspension cables and Telescoping arms are used to suspend runs of Flexile from a ceiling. Consult factory for various mounting option bending radii.

**WARNING!** Risk of Product Damage.  
Do not bend tighter than a minimum radius of 1.25"



Total Maximum Run Length		
Luminaire	Watts/ft	Maximum Electrical Run Length
Flexile LG	4.5	20'

7101013

## Installing Flexile with Clear Plastic Clips

### FLEX-LG-CL-CLIP

Use the Clear Plastic Clips for tighter, more intricate layouts. Mounting Spacing 15". Bend Diameter 2.5".

**Step 1:** Determine the location and shape for the Flexile Fixture.

**Step 2:** Position the Flexile against the mounting surface at the first mounting location and position the Clear Plastic Clips over the Flexile housing.

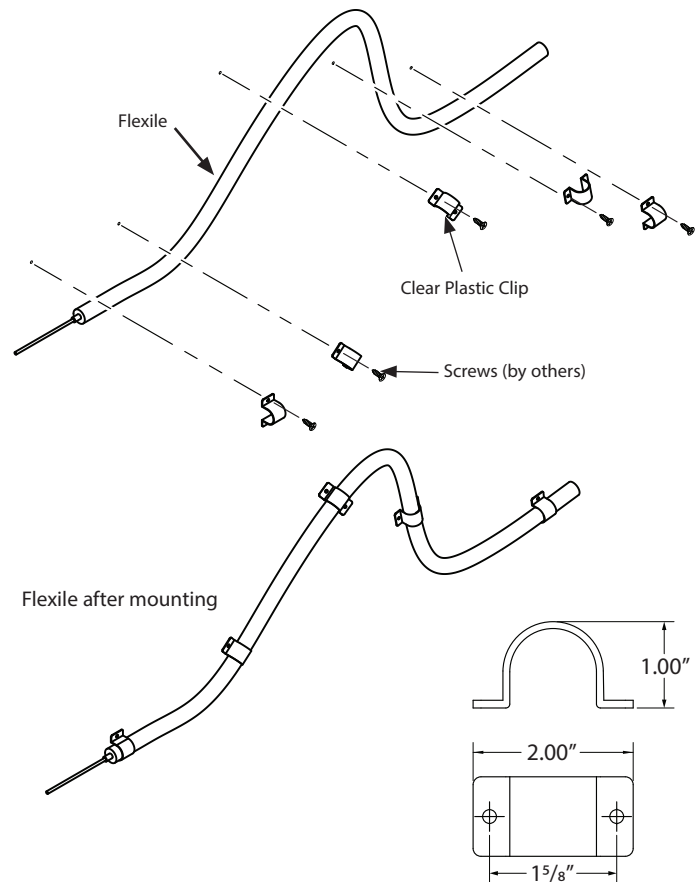
**Step 3:** Secure Clear Plastic Clips to surface using No. 6 screws (supplied by others) appropriate for mounting surface, ie: wood screws for wood.

**Step 4:** Locate the next Flexile mounting position and place the Clear Plastic Clips over the Flexile housing and attach with screws.

**Step 5:** Continue to attach mounting clips until the entire length of Flexile is secured to the mounting surface.

**Step 6:** Connect lead wire to power supply.

**WARNING!** Risk of Product damage.  
Do not exceed the maximum run length.



## Installing Flexile with Short Channel Clips

### FLEX-LG-OP-CLIP

Use the Short Channel Clips for designs with a combination of straight and curved sections. For wall mount only. Mounting Spacing 15". Bend Diameter 3".

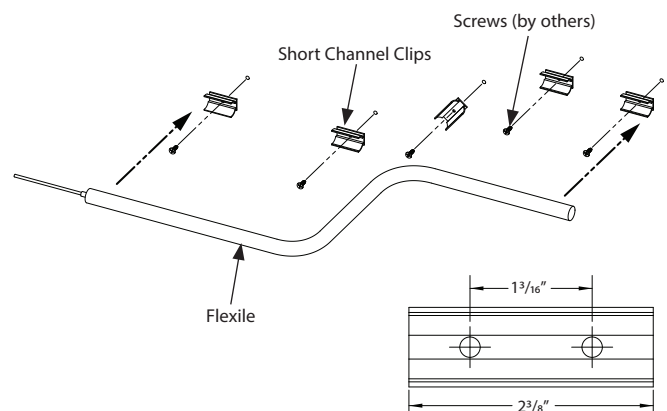
**Step 1:** Determine the location and the shape for the Flexile Fixture.

**Step 2:** Attach the Short Channel Clips on the mounting surface following the design pattern. Secure to surface using No. 6 screws (supplied by others) appropriate for mounting surface, ie: wood screws for wood.

**Step 3:** Press the Flexile body into each Short Channel Clip until the entire length of Flexile is mounted in all the Clips.

**Step 4:** Connect lead wire to power supply.

**WARNING!** Risk of Product damage.  
Do not exceed the maximum run length.



7101013

## Installing Flexile in Open Mounting Channel

### FLEX-LG-OP-CHAN

Use the Open Mounting Channel for straight runs of Flexile. Channel is supplied from the factory in 6 $\frac{1}{2}$ ' lengths. For wall mount only. Bend diameter between channels is 3"

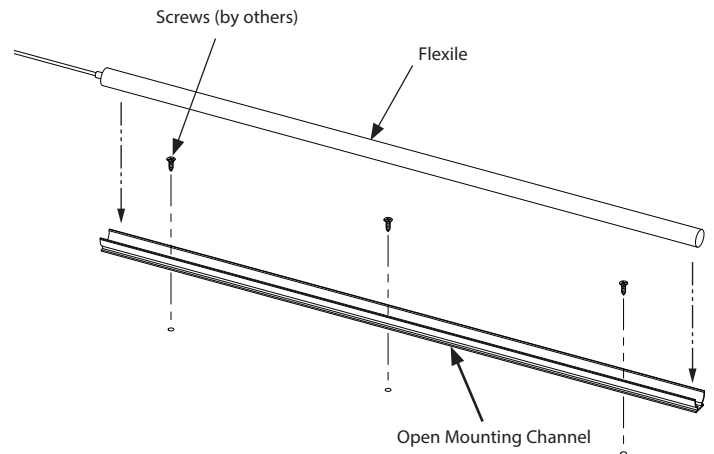
**Step 1:** Determine the location for the Flexile Fixture.

**Step 2:** Attach the Mounting Channel on the mounting surface. Secure to surface using No. 6 screws (supplied by others) appropriate for mounting surface, ie: wood screws for wood.

**Step 3:** Press the Flexile body into the Mounting Channel starting at one end and continue to press down along until the entire length of Flexile until it is fully inserted in the Mounting Channel

**Step 4:** Connect lead wire to power supply.

**WARNING!** Risk of Product damage.  
Do not exceed the maximum run length.



## Installing Flexile in Closed Mounting Channel

### FLEX-LG-CL-CHAN

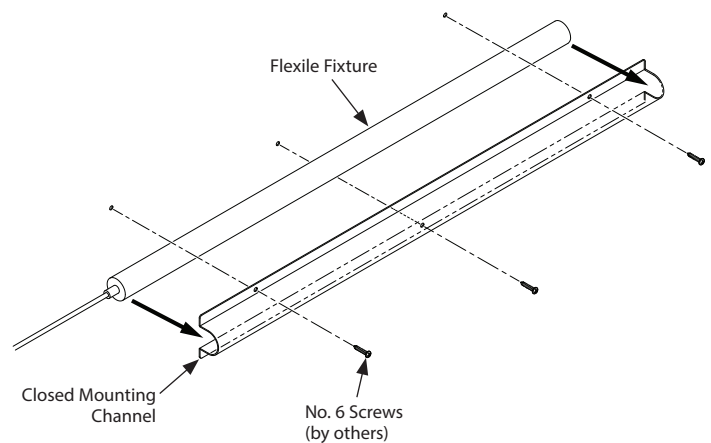
Use the Closed Mounting Channel for surface mounting straight runs of Flexile. Channel is supplied from the factory in 6 $\frac{1}{2}$ ' sections. Bend diameter between channels is 2.5"

**Step 1:** Insert the Flexile Tube Light into the Channel by starting at one end and pressing along the length of the fixture until it is fully inserted in the channel.

**Step 2:** Attach the Mounting Channel/Flexile assembly to the mounting surface. Secure to surface using No. 6 screws (supplied by others) appropriate for mounting surface, ie: wood screws for wood.

**Step 3:** Connect lead wire to power supply.

**WARNING!** Risk of Product damage.  
Do not exceed the maximum run length.



## Installing Flexile with Low-Profile Brackets

### FLEX-LG-MTBK-LP

Use the Low-Profile Bracket for designs with a combination of straight and curved sections. For wall mount only.

**Step 1:** Determine the location for the Flexile Fixture.

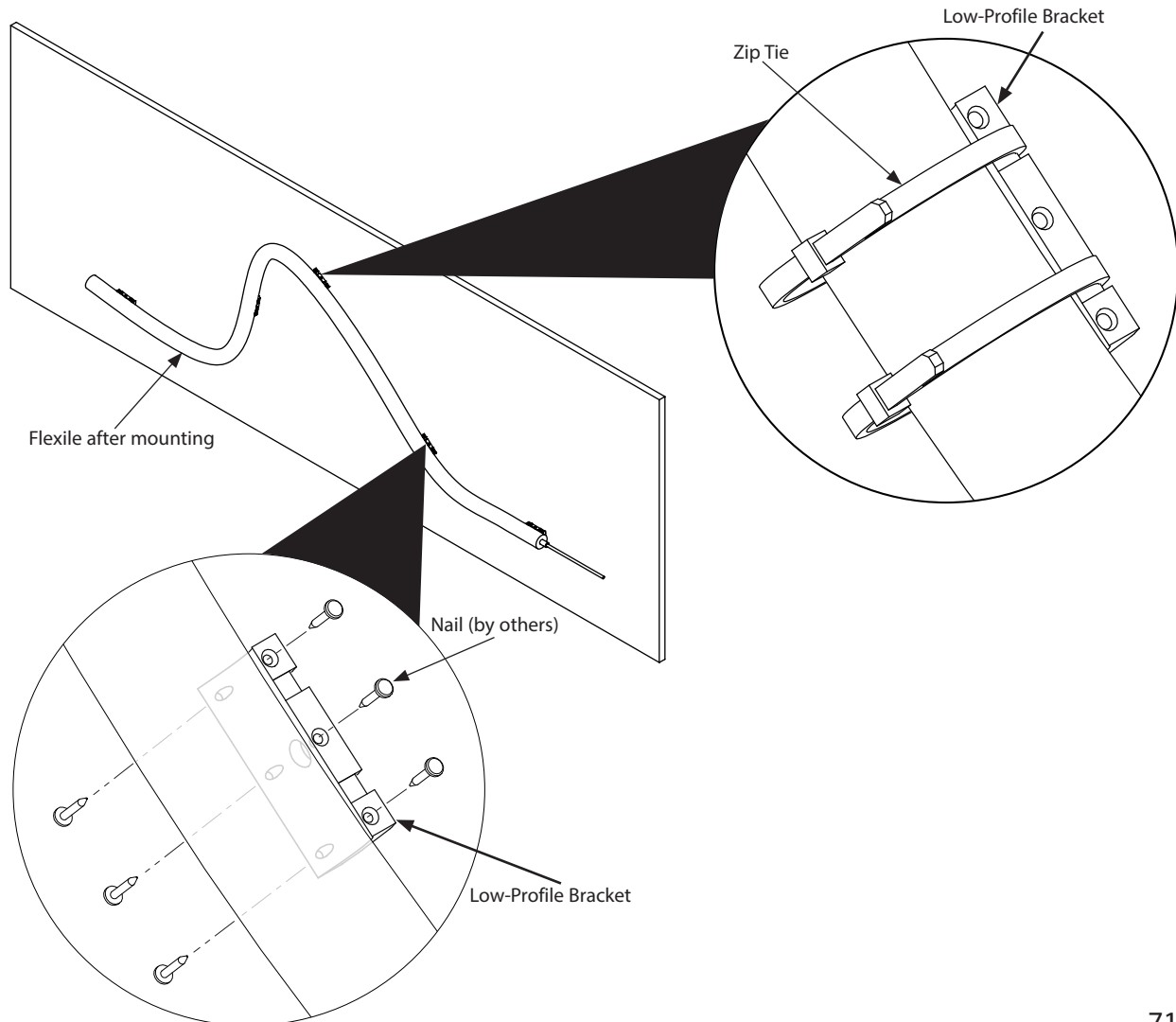
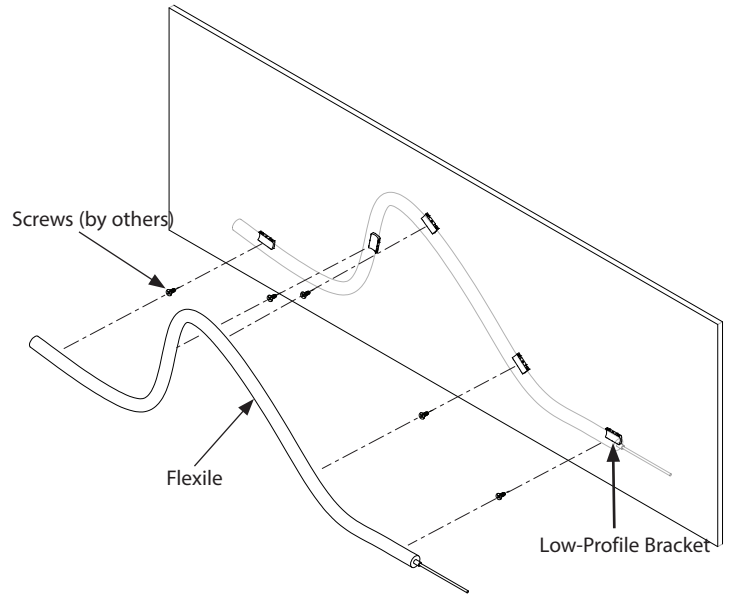
**Step 2:** Secure Low-Profile Brackets to surface using No. 6 screws (supplied by others), appropriate for mounting surface, ie: wood screws for wood.

**Step 3:** Press the Flexile body into the PVC Bracket one at a time, using zip ties to temporarily secure Flexile.

**Step 4:** For final securement of Flexile use 6 nails (supplied by others) and remove zip ties. Repeat for the entire length of Flexile.

**Step 5:** Connect lead wire to power supply.

**WARNING!** Risk of Product damage.  
Do not exceed the maximum run length.

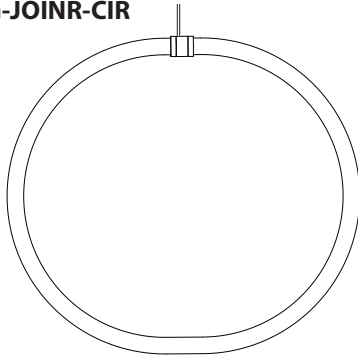


7101013

## Splicing Connector

**Note:** Create a closed donut shape or connect two Flexile Lights together using this Splicing Connector.

### FLEX-LG-JOINR-CIR



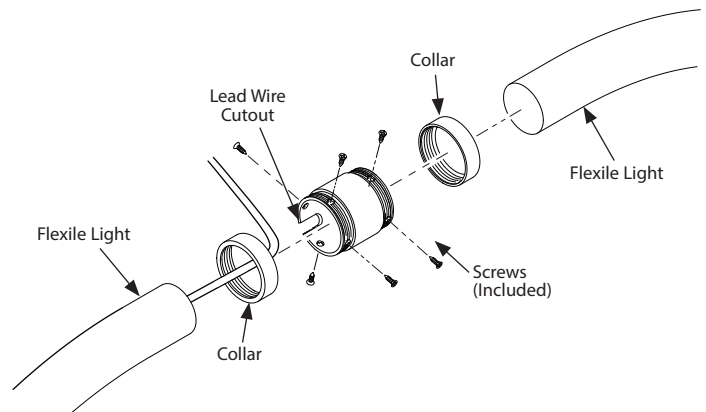
**Step 1:** Slide Collar over the end of the Flexile Light.

**Step 2:** Determine which end of the Joiner Bracket has the cutout for the Lead Wire.

**Step 3:** Insert the end of the Flexile Light into the Joiner and secure with 4 screws (included).

**Step 4:** Insert another Collar over the end of another Flexile Light, or, when making a ring, place the Collar over the other end of the same Flexile Light. Insert it into the Joiner Bracket and secure with 4 screws (included).

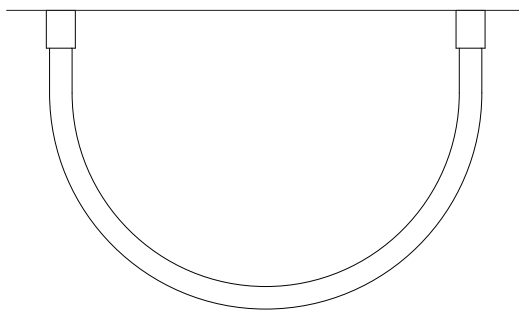
**Step 5:** Mount fixture to mounting surface using any of the mounting bracket options and connect to power.



## Flush Mounting Bracket

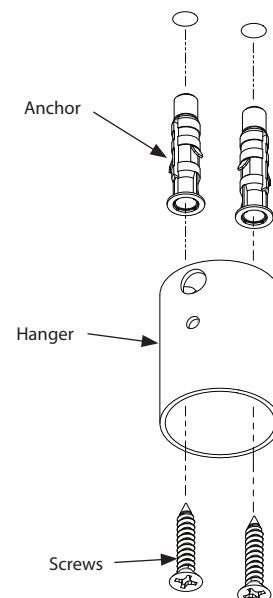
**Note:** Create a flush mount semi-circle shape of the Flexile Light using the Flush Mounting Bracket

### FLEX-LG-MTBK-SEMICIRCLE



**Step 1:** Secure Hanger to surface using screws (supplied by others), appropriate for mounting surface, ie: wood screws for wood. (Drywall installation shown.)

**Step 2:** Determine the location for the other end of the Loop and repeat step 1



## Flush Mounting Bracket (Continued)

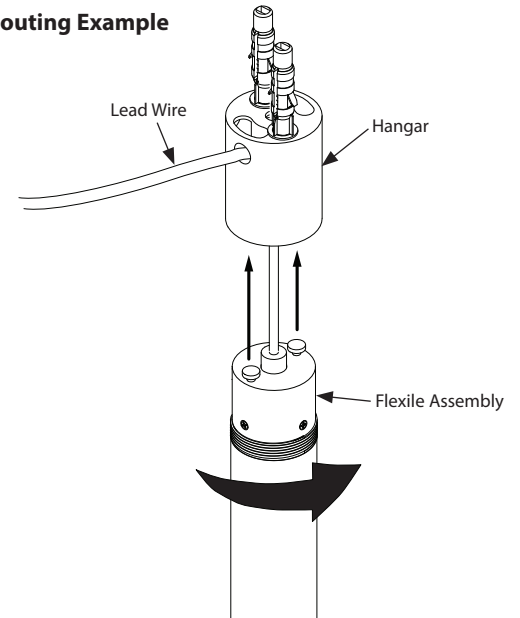
**Step 3:** Route the Lead Wire through the hangar and out the hole in the side or back of the Hangar.

**Step 4:** Insert the end of the Flexile assembly into the Hangar making sure the pins are inserted into the receiving holes inside the Hangar.

**Step 5:** Turn fixture to capture the pins in the mounting brackets.

**Step 6:** Repeat steps 8 and 9 for the opposite end of the Loop.

### Side Routing Example



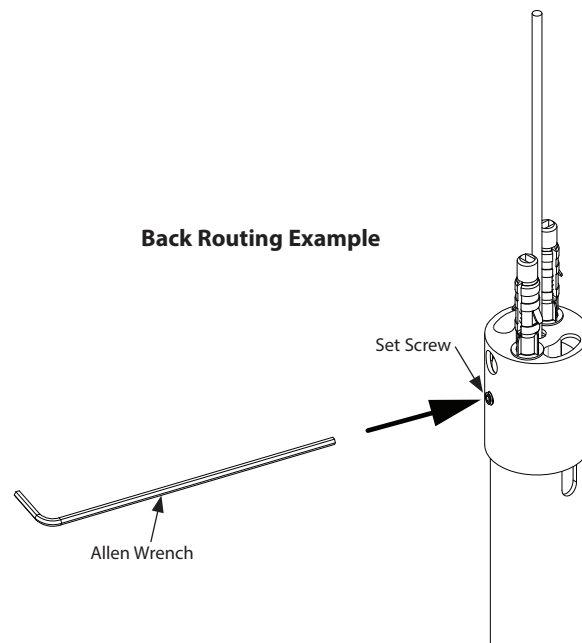
**Step 7:** Insert Set Screw into hole in Hangar and tighten with Allen Wrench (included)

**Step 8:** Insert Set Screw into hole in Hangar at the other end of the fixture and tighten with Allen Wrench (included)

**Step 9:** Connect lead wire to power supply.

**WARNING!** Risk of Product Damage.  
Do not exceed the maximum run length.

### Back Routing Example



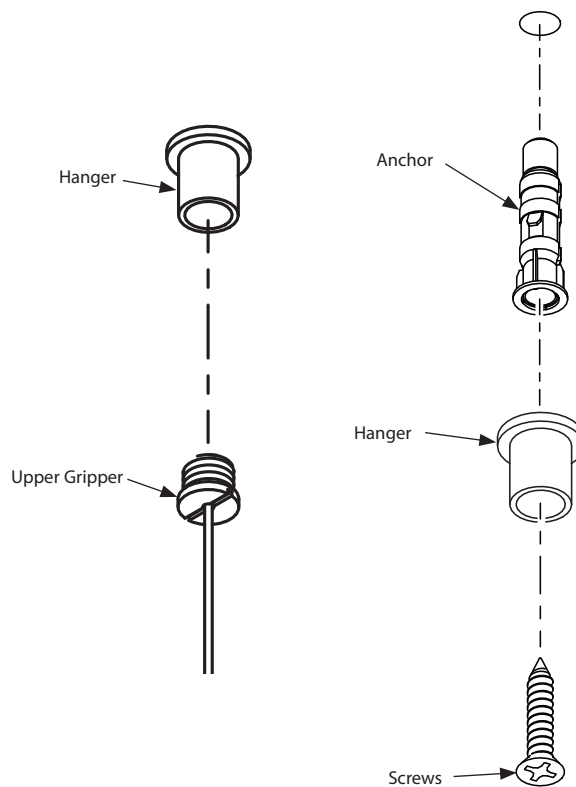
## Suspension Cable Installation

**Note:** Create suspended runs of Flexile with this accessory.

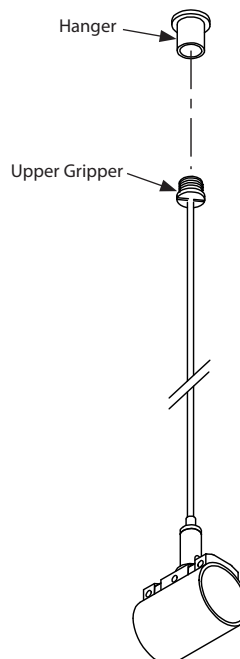
### FLEX-LG-SUS-MTBK-1

**Step 1:** Unscrew the Gripper unit from the Hanger.

**Step 2:** Drill a hole in mounting surface and secure Hanger to surface using screws (supplied by others), appropriate for mounting surface, ie: wood screws for wood. (Drywall installation shown.)

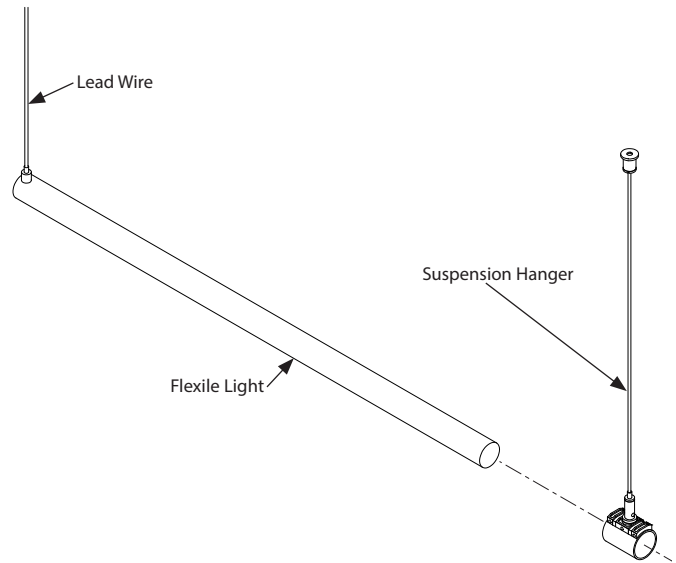


**Step 3:** Screw the upper Cable Gripper into the Hanger.



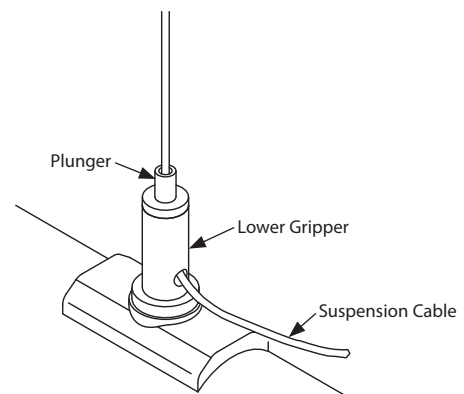
## Suspension Cable Installation (Continued)

**Step 4:** Slide the Flexile assembly into the Suspension Hanger, as shown.



**Step 5:** Depress the Plunger on the Lower Cable Gripper and pull the cable through to adjust the hanging height of the fixture.

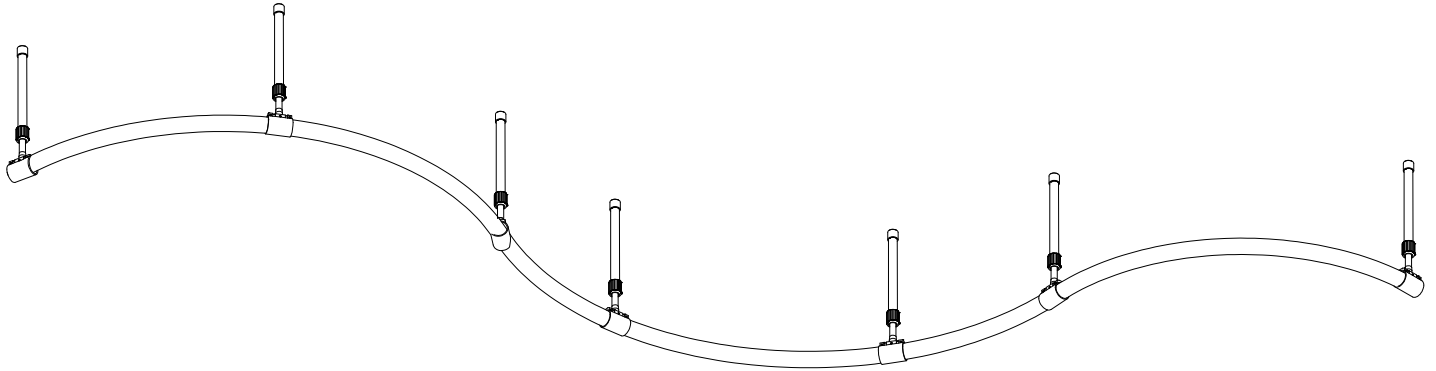
**Step 6:** Connect Lead Wire to power supply.





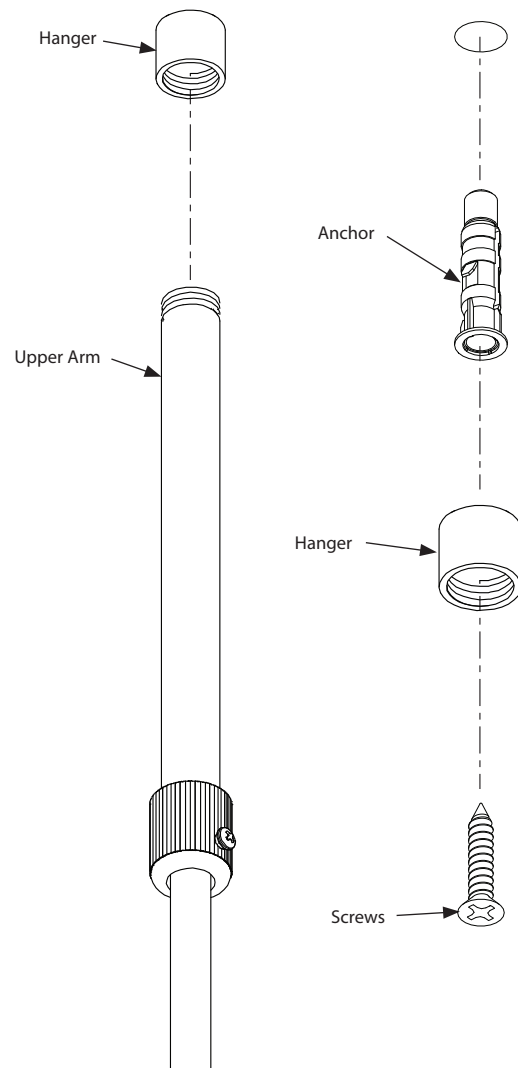
## Telescoping Arm Installation

**Note:** Create suspended curved runs of Flexile with this accessory.



**Step 1:** Unscrew the Gripper unit from the Hanger.

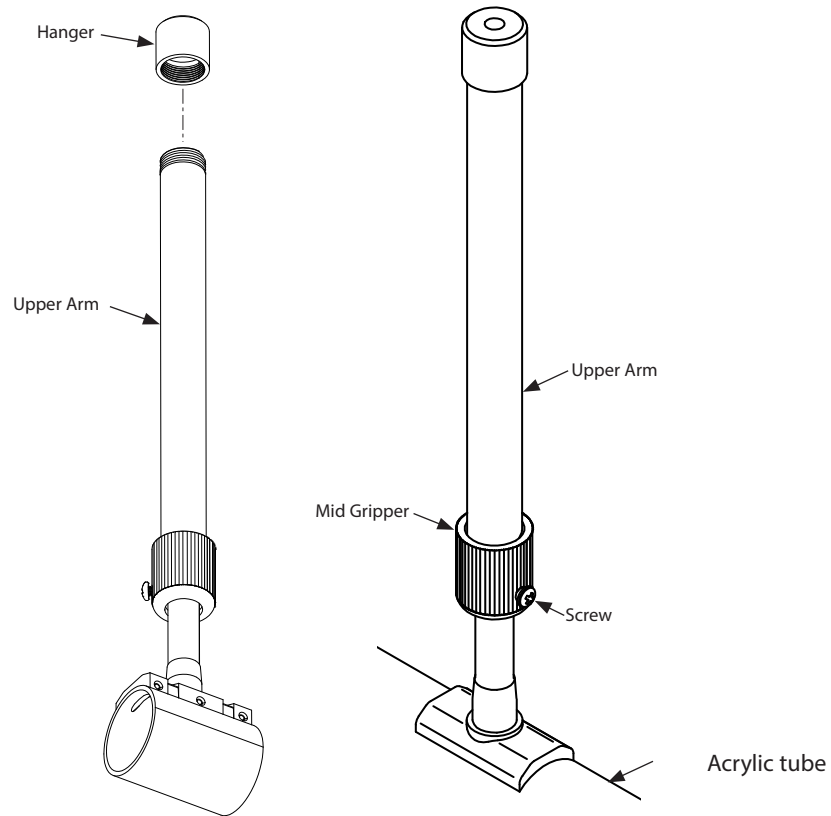
**Step 2:** Drill a hole in mounting surface and secure Hanger to surface using screws (supplied by others), appropriate for mounting surface, ie: wood screws for wood. (Drywall installation shown.)



## Telescoping Arm Installation (Continued)

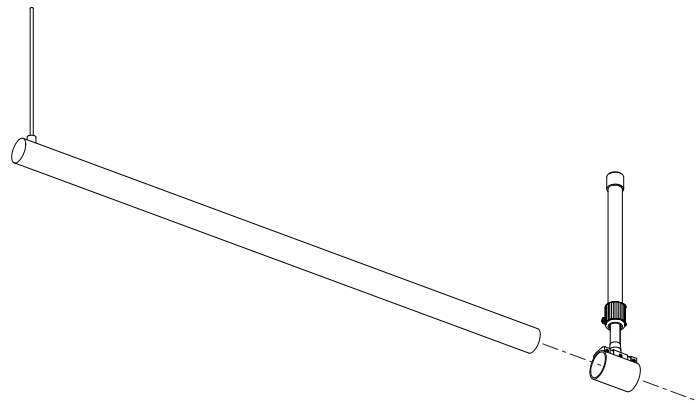
**Step 3:** Screw the Upper Arm into the Hanger.

**Step 4:** Set telescoping arm to desired length and orient Acrylic tube to desired angle, then tighten Mid Gripper and Screw.



**Step 5:** Slide the Flexile assembly into the Suspension Hanger as shown.

**Step 6:** Connect Lead Wire to power supply.



### Power Supply with 0-10V Sample Wiring Diagram

There are many possible options for dimming Flexile. See the specification sheet for more information. The following wiring diagram is for reference only. Please refer to the installation instruction for the power supply you choose for detailed wiring instructions.

