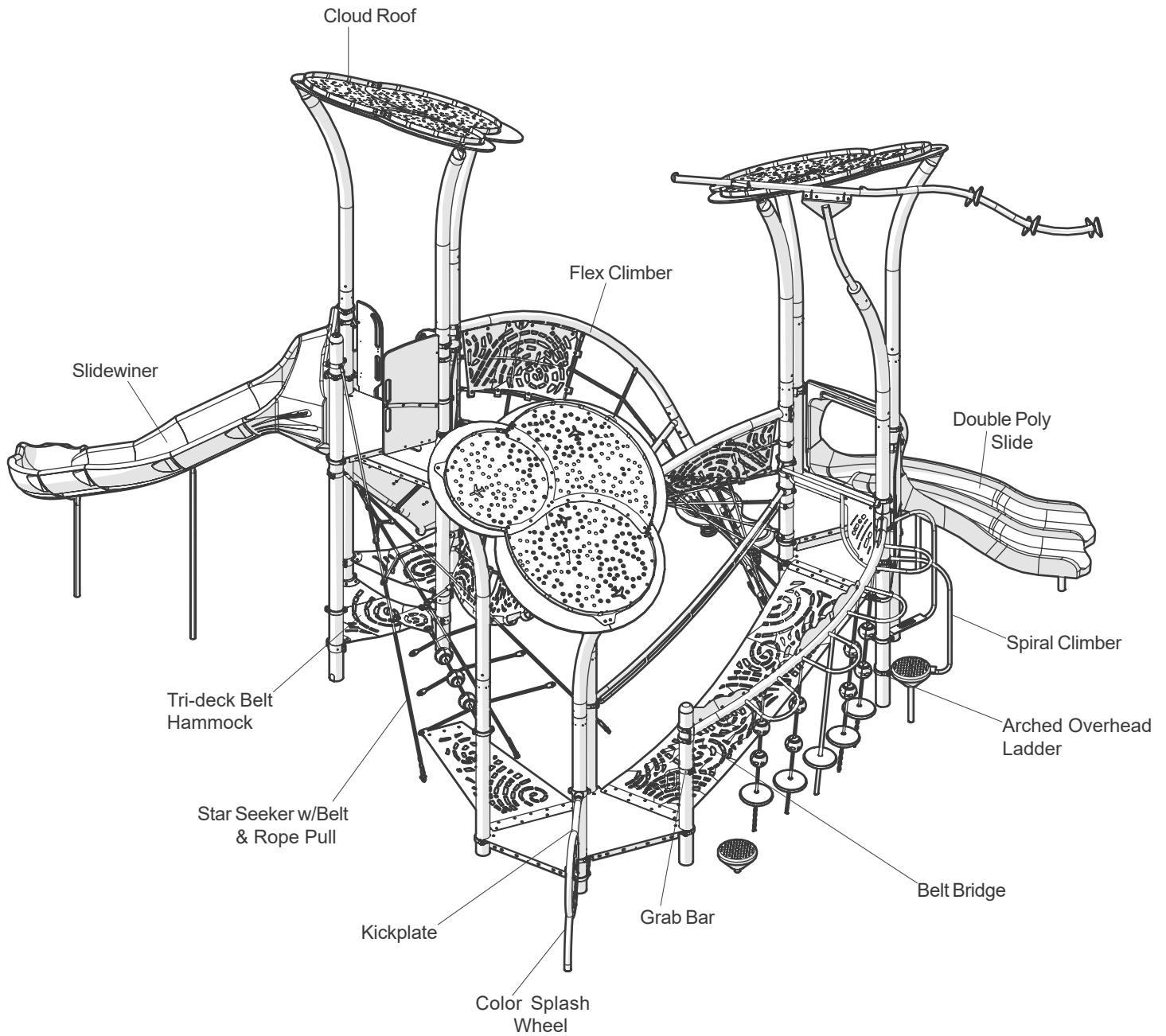
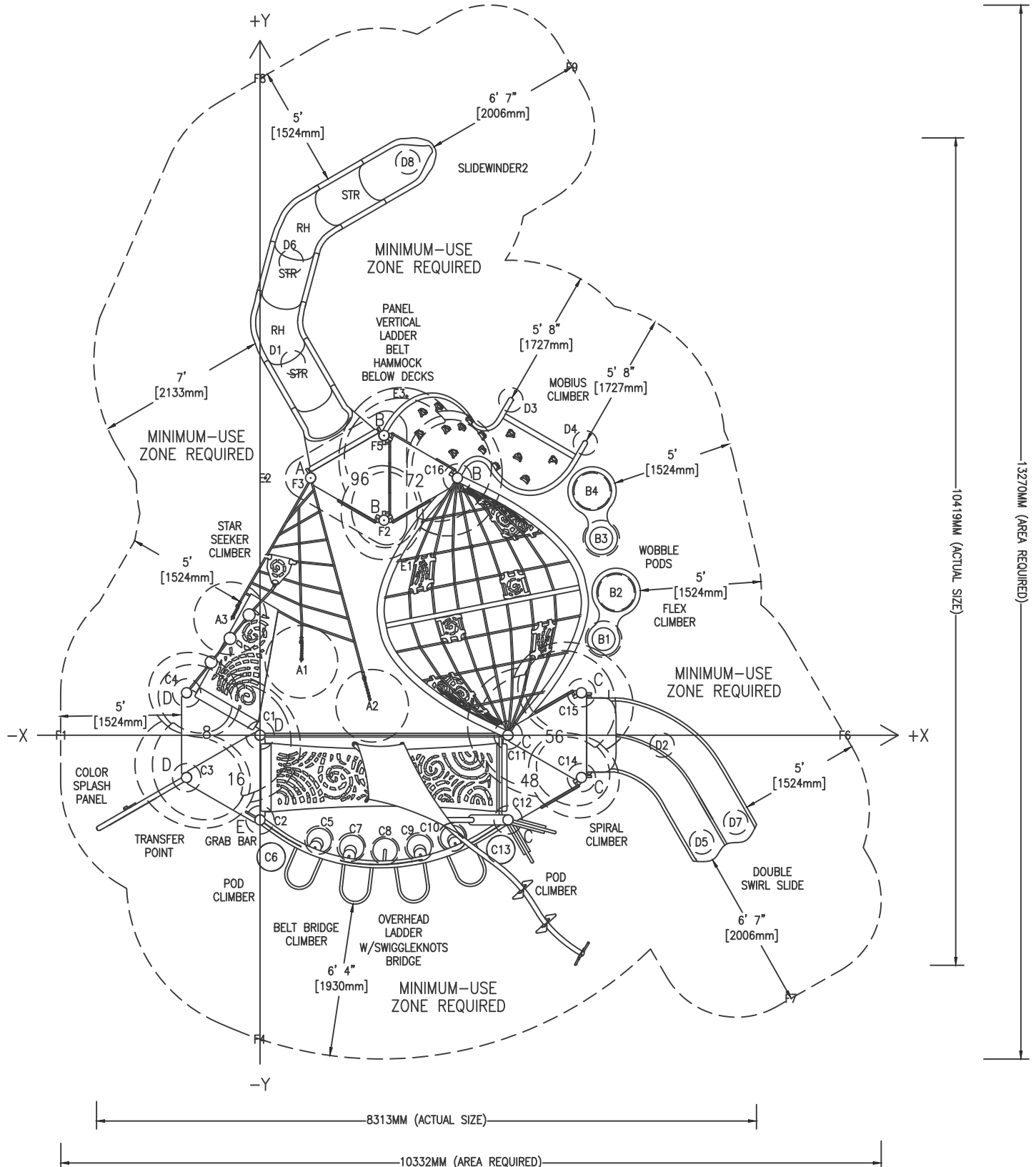


Billows™ Structure, EN



Billows™ Structure, EN



Billows™ Structure, EN

QTY. POST/ARCH LENGTHS

- 1 A 190" STL Post DB 44i Bury
- 3 B 174" STL Roof Post DB
- 4 C 158" Alum Roof Post DB
- 3 D 110" STL Roof Post DB
- 1 E 100" Alum Post DB

N.	I.D.	X (ft-in)	Y (ft-in)	Dist. to 0	DIA (in)
1	A1	1'-8 1/2"	3'-0 1/2"	3'-6"	36
2	A2	4'-7 1/2"	1'-2 1/2"	4'-9 1/2"	36
3	A3	-1'-2 1/2"	4'-10"	5'	36
4	B1	14'-2 1/2"	3'-11 1/2"	14'-9"	18
5	B2	14'-8 1/2"	5'-11"	15'-10 1/2"	18
6	B3	14'-1"	8'-1 1/2"	16'-3 1/2"	18
7	B4	13'-8 1/2"	10'-1"	17'-0 1/2"	18
8	C1	0"	0"	0"	14
9	C2	0"	-3'-6"	3'-6"	14
10	C3	-3'-0 1/2"	-1'-9"	3'-6"	14
11	C4	-3'-0 1/2"	1'-9"	3'-6"	14
12	C5	2'-5"	-4'-4"	4'-11 1/2"	14
13	C6	5 1/2"	-5'-0 1/2"	5'-0 1/2"	14
14	C7	3'-9 1/2"	-4'-7 1/2"	5'-11 1/2"	14
15	C8	5'-2"	-4'-9"	7'-0 1/2"	14
16	C9	6'-7"	-4'-7 1/2"	8'-0 1/2"	14
17	C10	7'-11 1/2"	-4'-2 1/2"	9'	14
18	C11	10'-3"	0"	10'-3"	14
19	C12	10'-3"	-3'-6"	10'-10"	14
20	C13	9'-11 1/2"	-4'-8 1/2"	11'	14
21	C14	13'-3 1/2"	-1'-9"	13'-5"	14
22	C15	13'-3 1/2"	1'-9"	13'-5"	14
23	C16	8'-2"	10'-7 1/2"	13'-5"	14
24	D1	1'-4 1/2"	15'-4 1/2"	15'-5 1/2"	12
25	D2	16'-7 1/2"	-5"	16'-7 1/2"	12
26	D3	10'-4 1/2"	13'-10"	17'-3 1/2"	12
27	D4	13'-5 1/2"	12'-1"	18'-1"	12
28	D5	18'-3"	-4'-5"	18'-9 1/2"	12
29	D6	1'-3 1/2"	19'-6 1/2"	19'-7"	12
30	D7	19'-8"	-3'-7"	20'	12
31	D8	6'-1 1/2"	23'-8"	24'-5 1/2"	12
32	E1	6'-1"	7'-3"	9'-5 1/2"	TRENCH
33	E2	2 1/2"	10'-7 1/2"	10'-7 1/2"	TRENCH
34	E3	6'-0 1/2"	14'	15'-3"	TRENCH
35	F1	-8'-3"	0"	8'-3"	REF PT
36	F2	5'-1 1/2"	8'-10 1/2"	10'-3"	REF PT
37	F3	2'-1"	10'-7 1/2"	10'-10"	REF PT
38	F4	0"	-12'-6 1/2"	12'-6 1/2"	REF PT
39	F5	5'-1 1/2"	12'-4 1/2"	13'-5"	REF PT
40	F6	24'-2"	0"	24'-2"	REF PT
41	F7	21'-11 1/2"	-10'-10 1/2"	24'-6"	REF PT
42	F8	0"	27'-1 1/2"	27'-1 1/2"	REF PT
43	F9	12'-10 1/2"	27'-7"	30'-5 1/2"	REF PT

Parts List

Part#	Description	Qty.
145657	Tri-Deck, Specify Color	1
105327	5" Half Clamp, Specify Color.....	3
106022	Deck Hanger Clamp, Specify Color	3
Triangular Deck Hardware Package		
100198	$\frac{3}{8}$ " x $1\frac{1}{8}$ " BHCS w/Pin, SST	6
100321	$\frac{3}{8}$ " Hex Patch Nut, SST	3
100351	$\frac{3}{8}$ " Tee Nut, SST	6
100362	$\frac{3}{8}$ " Flat Washer, SST	3
100610	$\frac{1}{4}$ " x $\frac{5}{8}$ " Drive Rivet, AL/SST.....	3

Specifications

Triangular Deck: Flange formed from 12 GA (.105") sheet steel conforming to ASTM A1011. Standing surface is perforated with $\frac{5}{16}$ " diameter holes. Deck face has (4) slotted holes for face mounting components. The finished size measures $2\frac{5}{8}$ " x $37\frac{3}{4}$ ". Finish: TenderTuff™, color specified.

Deck Hanger Clamp Assembly: Cast aluminum. Finish: ProShield®, color specified.

Fasteners: Primary fasteners shall be socketed and pinned tamperproof in design, stainless steel (SST) per ASTM F 879 unless otherwise indicated (see specific product installation/specifications).

Installation Time: Approx. $\frac{1}{2}$ man hour

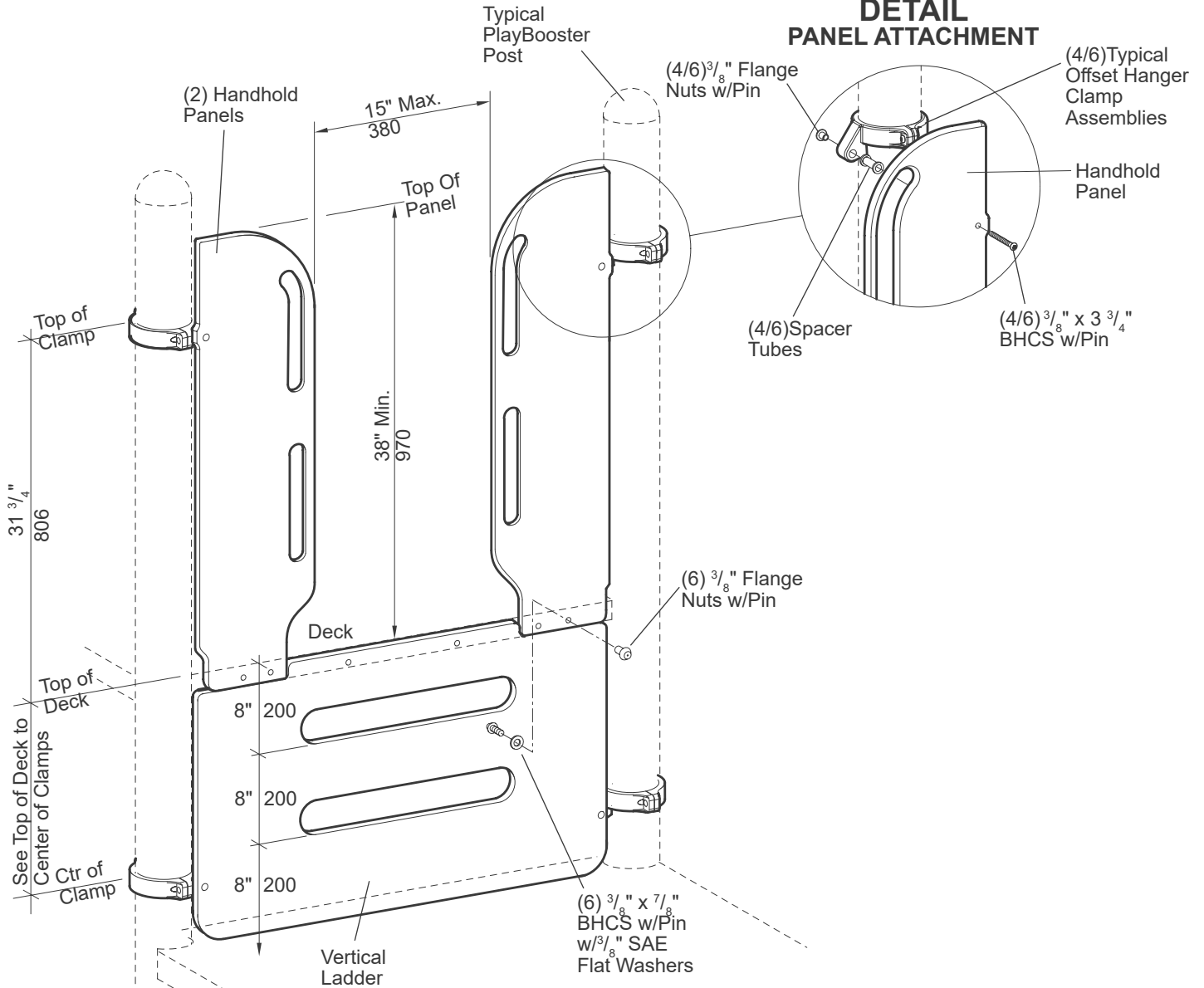
Weight: 61 lbs.

Installation Instructions

- 1) Mark posts for the appropriate height of the deck you are installing.
- 2) Fasten deck hanger clamps to marked position on posts. See Detail on the front of this sheet.
- 3) Lift deck assembly into position, lining up stud underneath deck with deck hanger clamp as shown. Attach using $\frac{3}{8}$ " hex patch nuts with $\frac{3}{8}$ " flat washers. With deck level and posts plumb, final tighten all hardware.
- 4) Install $\frac{1}{4}$ " x $\frac{5}{8}$ " drive rivets in all 5" half clamps. Refer to the Typical Offset Hanger Clamp Spec Sheet.
- 5) After attachment of enclosures and components is complete, pour concrete footings. Allow concrete footings to cure a minimum of 72 hours before users are allowed to play on the structure.
- 6) Install protective surfacing before users are allowed to play on the structure.

VERTICAL LADDER

**DETAIL
PANEL ATTACHMENT**



**Top of Deck to
Center of Clamps**

- 24" Deck - 19" /480 (Shown)
- 32" Deck - 27" /710
- 40" Deck - 35" /890
- 48" Deck - 23 1/4" /591
- 43" /1090
- 56" Deck - 26" /660
- 51" /1300
- 64" Deck - 31 1/4" /794
- 59" /1500
- 72" Deck - 34" /860
- 67" /1700

Parts List

Part#	Description	Qty.
142120	24" Vertical Ladder Panel, Specify Color	1
142119	32" Vertical Ladder Panel, Specify Color	1
142118	40" Vertical Ladder Panel, Specify Color	1
142117	48" Vertical Ladder Panel, Specify Color	1
142116	56" Vertical Ladder Panel, Specify Color	1
142115	64" Vertical Ladder Panel, Specify Color	1
142114	72" Vertical Ladder Panel, Specify Color	1
139563	Handhold Panel, Specify Color	2
105327	5" Half Clamp, Specify Color	4/6
113729	Offset Hanger Clamp, Specify Color	4/6
113468	Spacer Tube, Specify Color	4/6
100198	$\frac{3}{8}$ " x $1\frac{1}{8}$ " BHCS w/Pin, SST	8/12
100351	$\frac{3}{8}$ " Tee Nut, SST	8/12
(24" through 40") Tenderdeck Hardware Pkg. 1		
124460	$\frac{3}{8}$ " x $3\frac{3}{4}$ " BHCS w/Pin, SST	4
100196	$\frac{3}{8}$ " x $\frac{7}{8}$ " BHCS w/Pin, SST	6
100353	$\frac{3}{8}$ " Flange Nut w/Pin, SST	10
100365	$\frac{3}{8}$ " SAE Flat Washer, SST	6
(48" through 72") Tenderdeck Hardware Pkg. 1		
124460	$\frac{3}{8}$ " x $3\frac{3}{4}$ " BHCS w/Pin, SST	6
100196	$\frac{3}{8}$ " x $\frac{7}{8}$ " BHCS w/Pin, SST	6
100353	$\frac{3}{8}$ " Flange Nut w/Pin, SST	12
100365	$\frac{3}{8}$ " SAE Flat Washer, SST	6

Specifications

HandholdPanel/

Vertical Ladder: Solid color Permalene®, color specified.

Spacer Tube: Made from 6061-T6 aluminum $\frac{7}{8}$ " O.D. x $1\frac{11}{16}$ ".
Finish: ProShield®, color specified.

Offset Hanger

Clamp Assembly: Cast aluminum. Finish: ProShield, color specified.

Fasteners: Primary fasteners shall be socketed and pinned tamperproof in design, stainless steel (SST) per ASTM F 879 unless otherwise indicated (see specific product installation/specifications).

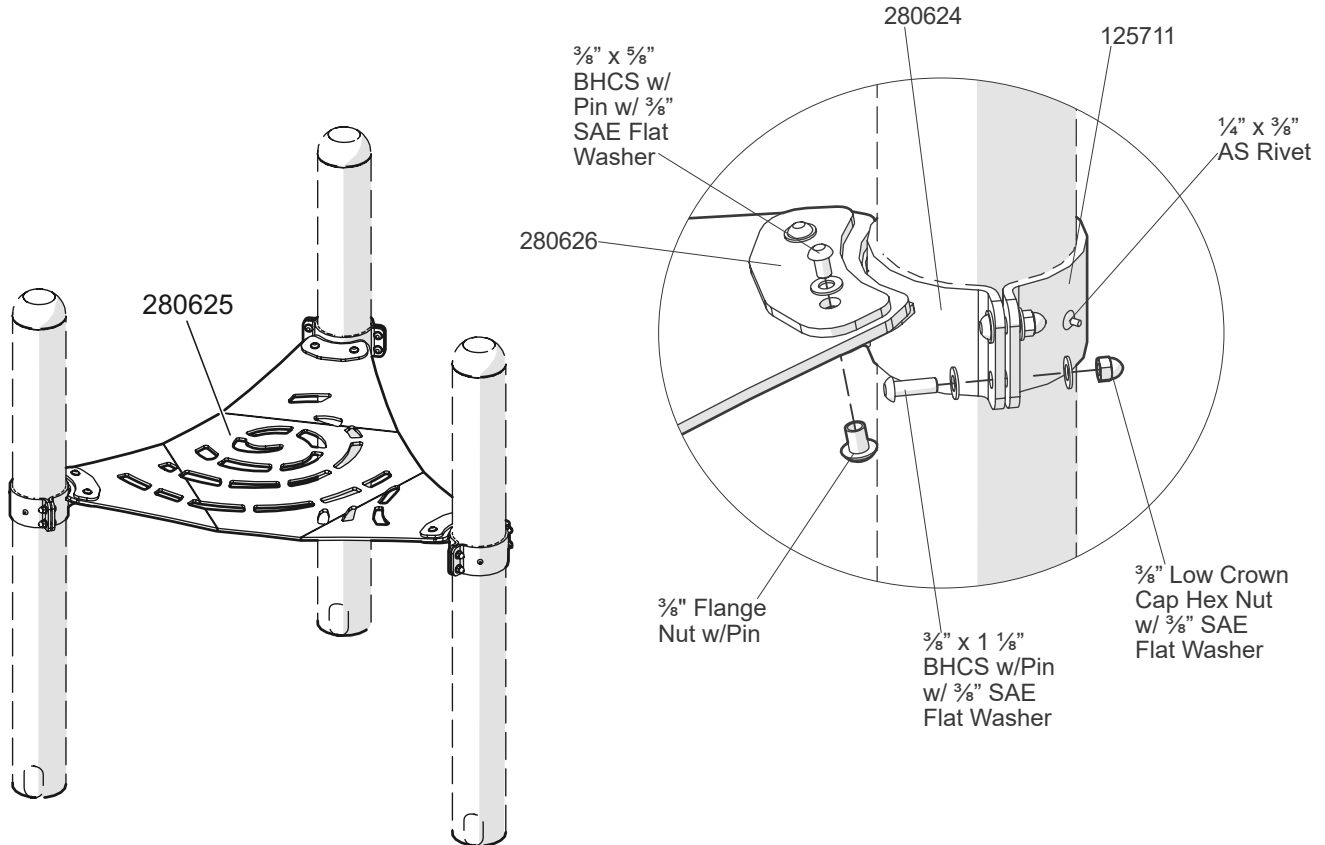
Installation Time: 24"-40" - Approx. $1\frac{1}{4}$ man hour
48"-72" - Approx. $1\frac{1}{2}$ man hour

Weight: 24" Vertical Ladder - 40 lbs.
32" Vertical Ladder - 48 lbs.
40" Vertical Ladder - 54 lbs.
48" Vertical Ladder - 63 lbs.
56" Vertical Ladder - 68 lbs.
64" Vertical Ladder - 75 lbs.
72" Vertical Ladder - 81 lbs.

Installation Instructions

- 1) Attach vertical ladder and handhold panels to the face of the deck using $\frac{3}{8}$ " x $\frac{7}{8}$ " BHCS w/pin with $\frac{3}{8}$ " SAE flat washers and $\frac{3}{8}$ " flange nuts w/pin, as shown.
- 2) Attach offset hanger clamps to posts at heights shown. Using half clamps and $\frac{3}{8}$ " x $1\frac{1}{8}$ " BHCS w/pin with $\frac{3}{8}$ " tee nuts. Refer To The Typical Offset Hanger Clamp Spec Sheet.
- 3) Using a $\frac{3}{8}$ " drill bit, drill out the lower set of $\frac{1}{8}$ " pilot holes in ladder. **NOTE: If there is a clamp conflict using the holes in this position, drill out and use the upper set of holes instead.**
- 4) Attach vertical ladder and handhold panels to the offset hanger clamp assemblies using $\frac{3}{8}$ " x $3\frac{3}{4}$ " BHCS w/pin, spacer tubes and $\frac{3}{8}$ " flange nuts w/pin. See Panel Attachment Detail.
- 5) Install protective surfacing before users are allowed to play on the structure.

TRI DECK BELT HAMMOCK



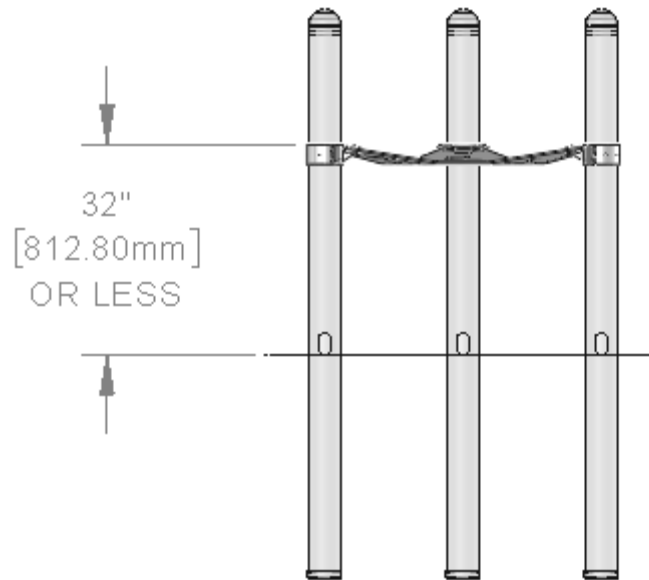
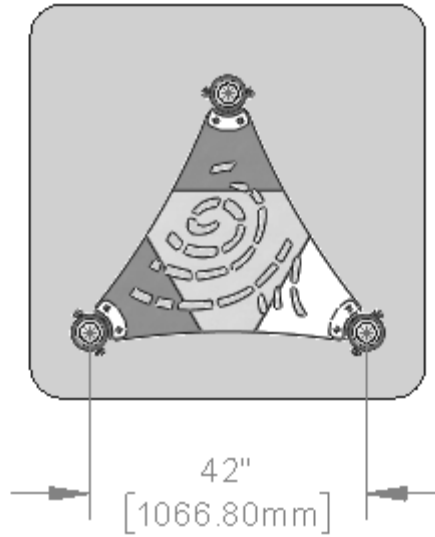
Parts List

PART NUMBER	DESCRIPTION	QTY.
280626	CUST BELT ATCH PLATE PNT	3
280625	CUST TRI-DECK HAMMOCK BELT	1
280624	CUST BELT ATCH CLAMP PNT	3

125711	HALF CLMP 3iWD 2/HOLE PNT	3
100611	RVT 1/4X3/8 AS (GRIP=.328/.422)	6
100365	WASHER FLAT SAE 3/8i SST	30
100353	FLG NUT 6LP 3/8-16 SST	6
100349	3/8 HEX NUT L/C CAP	12
100198	BHCS 6LP 3/8x1-1/8i SST	12
100195	BHCS 6LP 3/8x5/8i SST	6

Installation Instructions

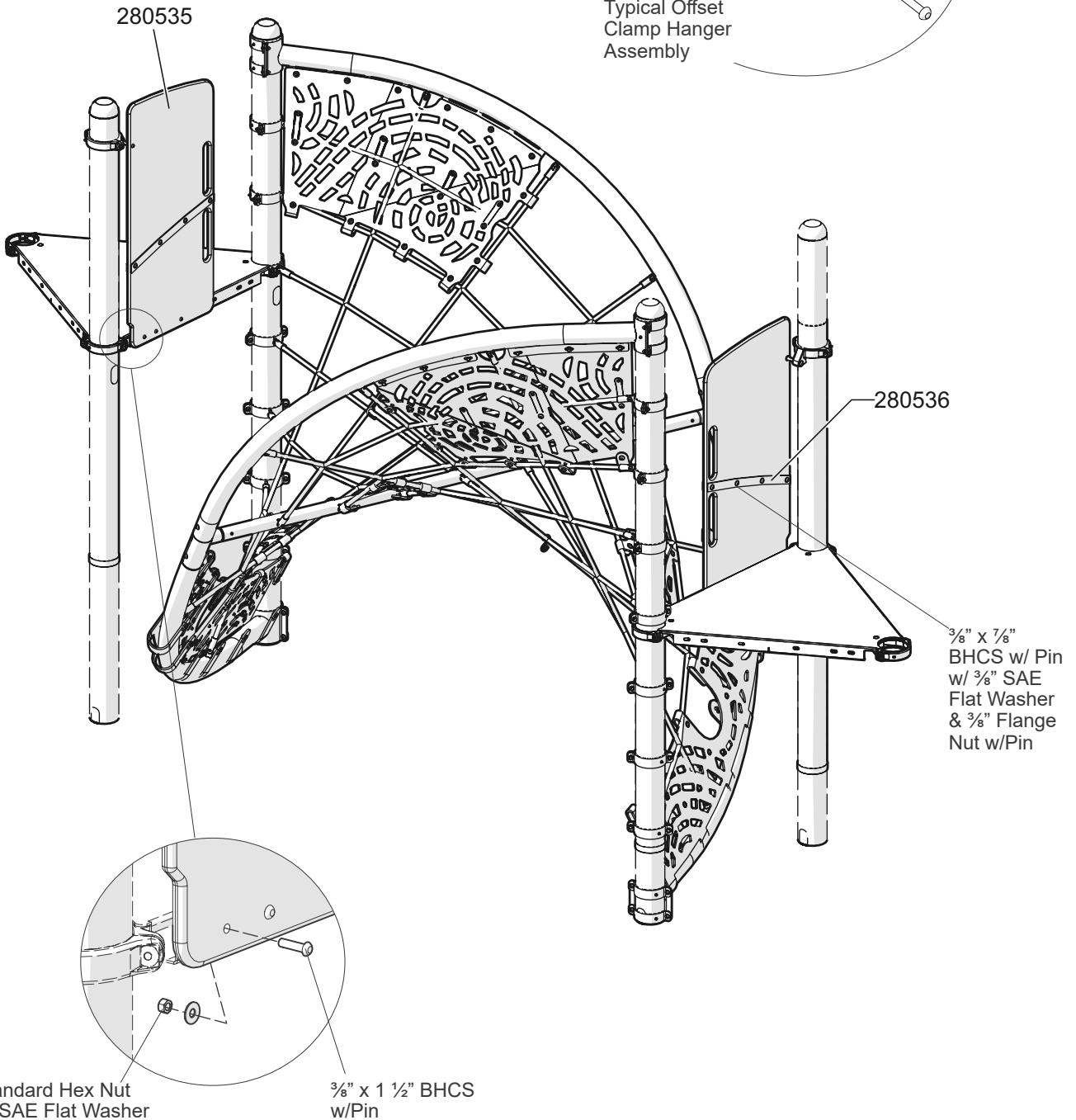
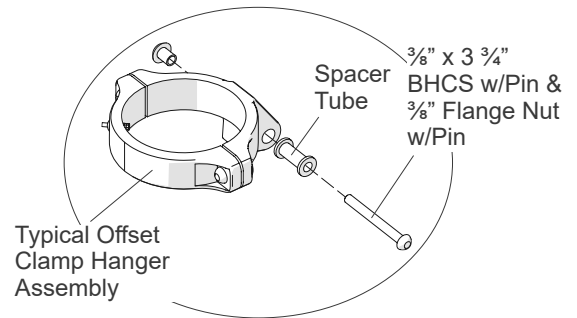
- 1) Assemble structure following steps and details shown. Use 2D layout as a reference.
- 2) Install protective surfacing before users are allowed to play on the structure.



Billows™ Structure, EN

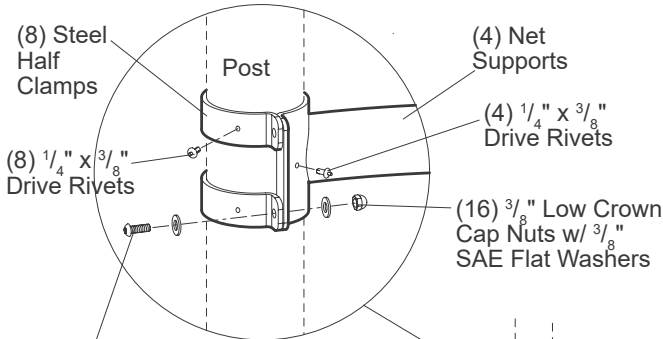
FLEX CLIMBER

**DETAIL
CLAMP ATTACHMENT**

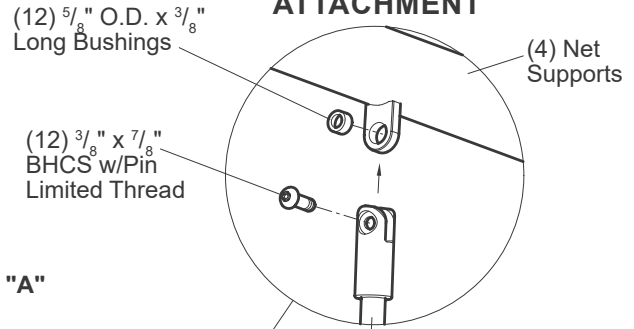


Billows™ Structure, EN

**DETAIL
SUPPORT ATTACHMENT**



**DETAIL
NET TO SUPPORT ATTACHMENT**



(16) 3/8" x 1 1/8" BHCS w/Pin w/ 3/8" SAE Flat Washers
(2) Barriers
(2) Infill Panels

Letter "A"

Letter "A"

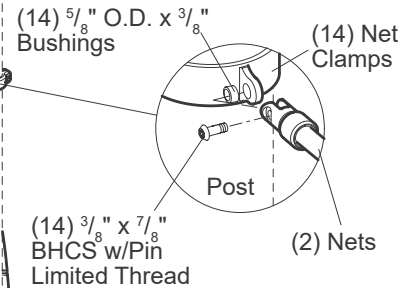
(2) Upper Supports

NOTE: Attach nets to supports with the letter "A" positioned, as shown.

64" -72" Deck

Center Support

**DETAIL
NET TO CLAMP ATTACHMENT**

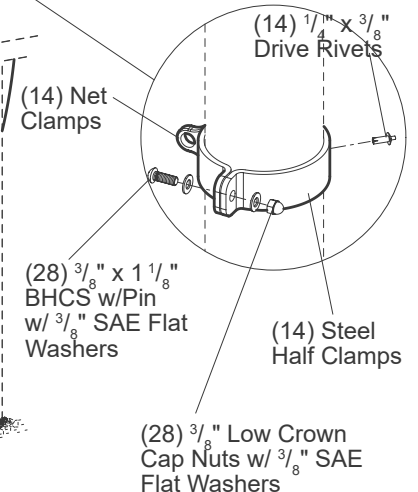


(2) Support Sleeves

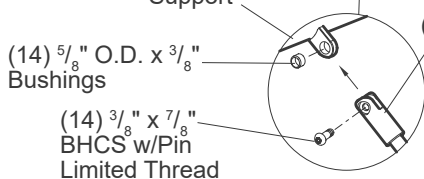
(2) Lower Supports

64" -72" Deck

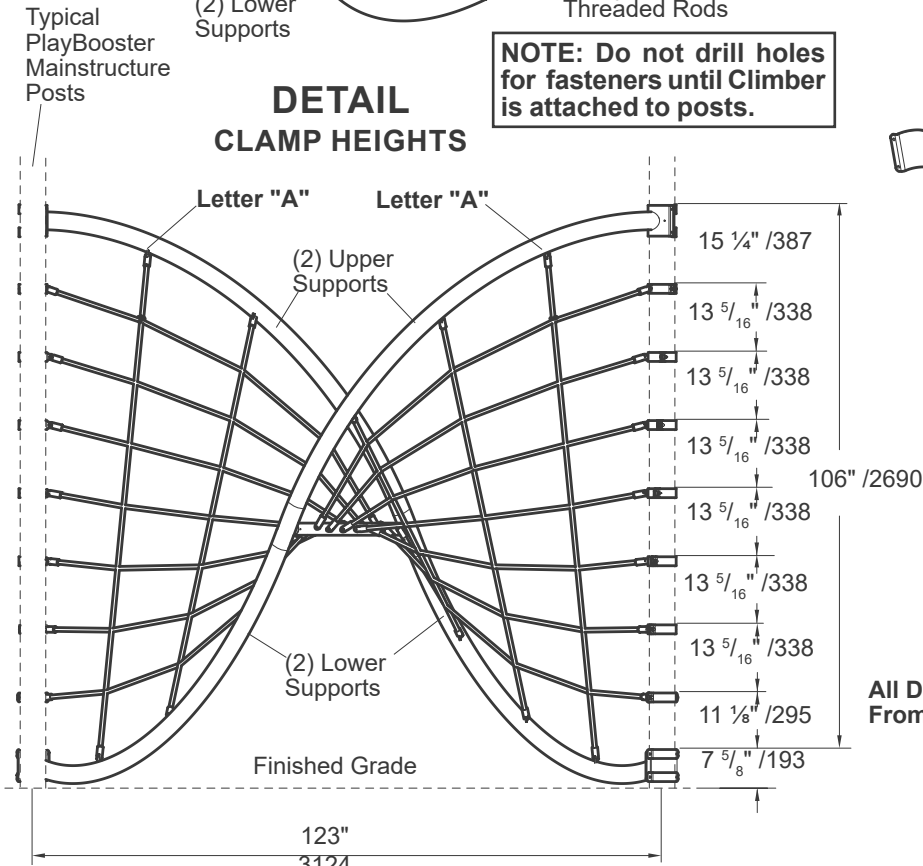
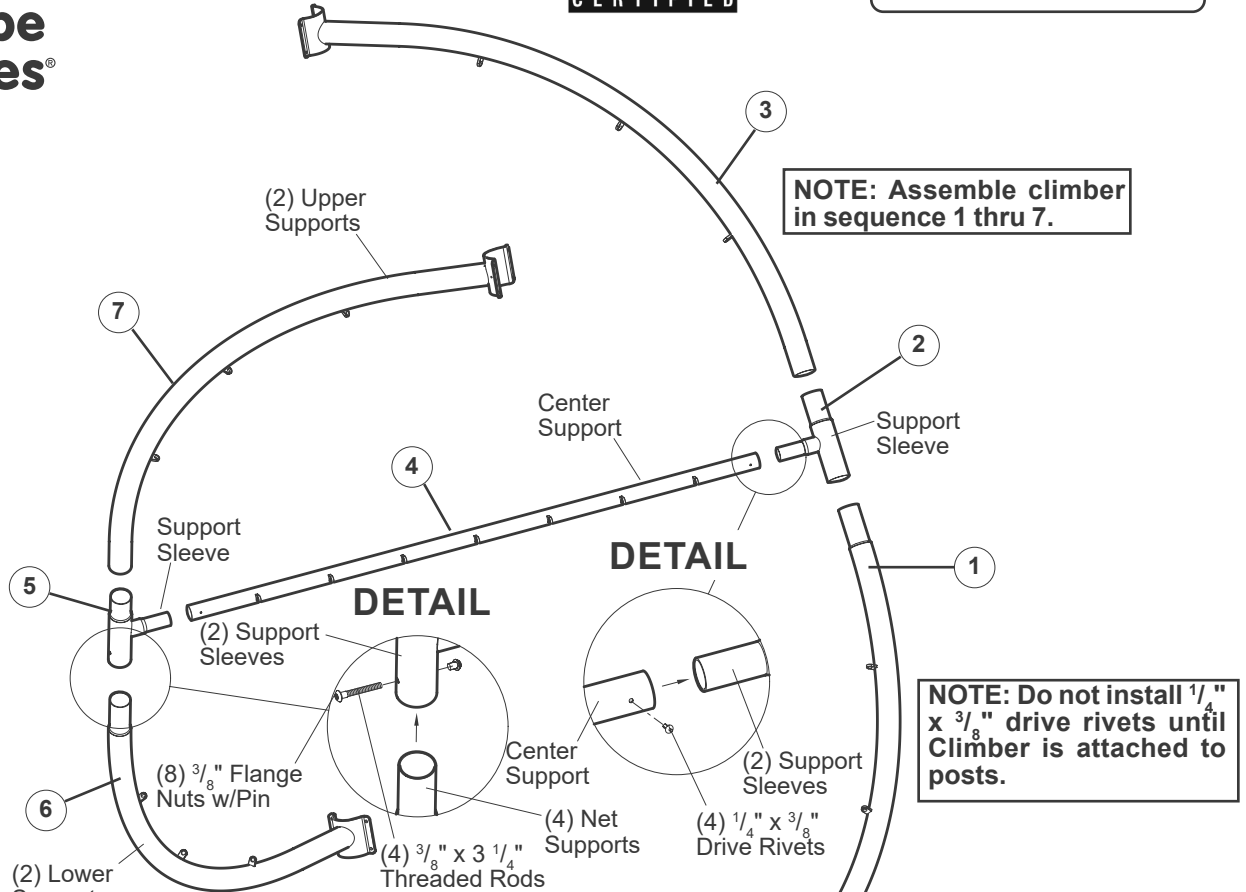
**DETAIL
CLAMP ATTACHMENT**



DETAIL

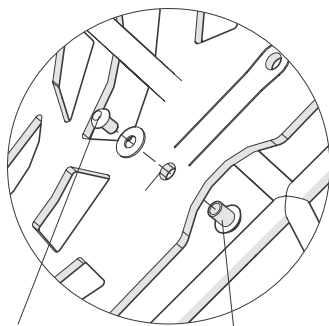


Billows™ Structure, EN



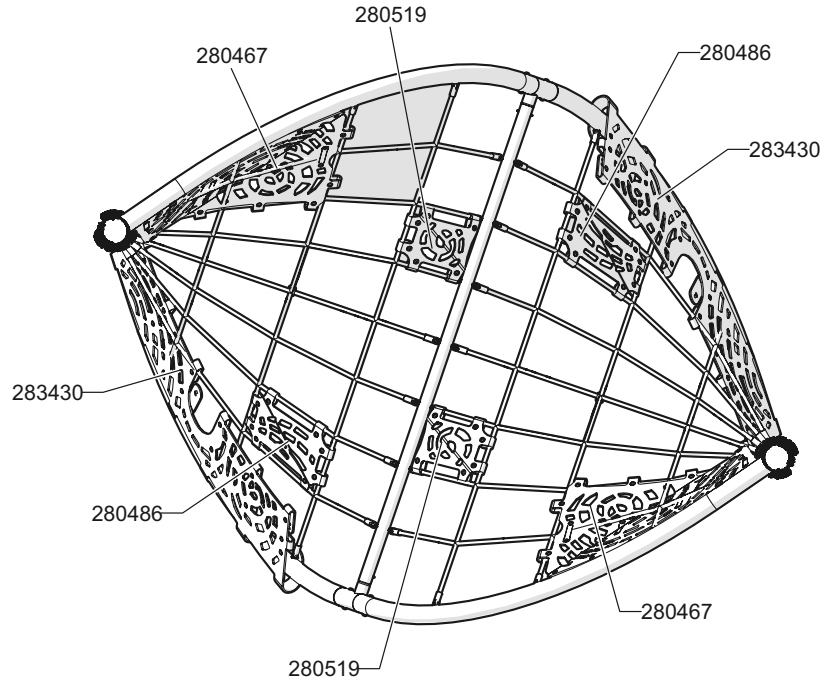
NOTE: Lower all clamps if there is a clamp conflict.

**DETAIL
BELT STRAP ATTACHMENT**

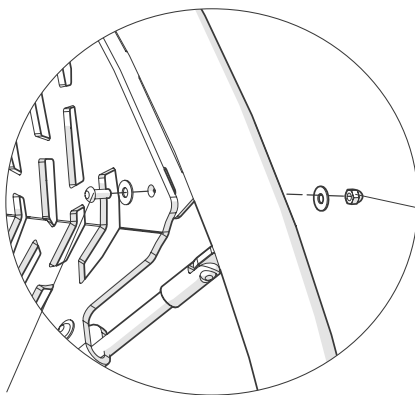


$\frac{3}{8}$ " x $\frac{5}{8}$ "
BHCS w/
Pin w/ $\frac{3}{8}$ "
Flat Washer

$\frac{3}{8}$ " Flange
Nut w/Pin



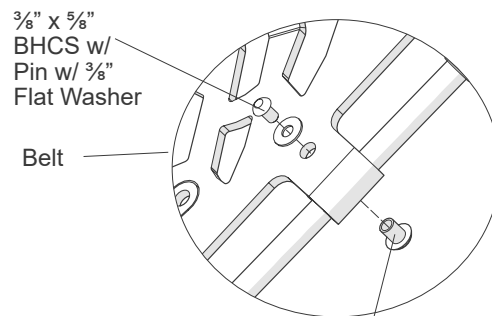
**DETAIL
BELT TO FLANGE
ATTACHMENT**



$\frac{3}{8}$ " x $\frac{7}{8}$ "
BHCS w/ Pin
w/ $\frac{3}{8}$ " Flat
Washer

$\frac{3}{8}$ " Low
Crown Cap
Hex Nut
w/ $\frac{3}{8}$ " Flat
Washer

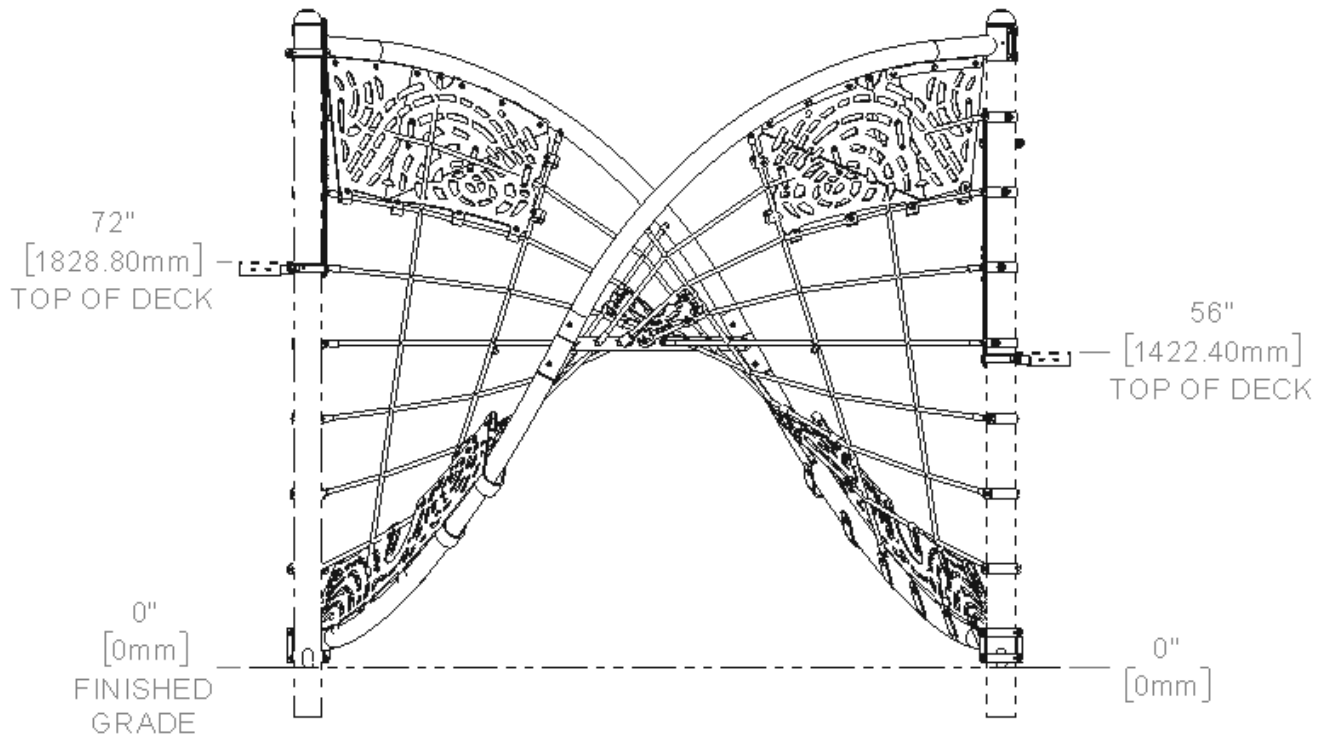
**DETAIL
BELT ATTACHMENT**



$\frac{3}{8}$ " x $\frac{5}{8}$ "
BHCS w/
Pin w/ $\frac{3}{8}$ "
Flat Washer

Belt

$\frac{3}{8}$ "
Flange
Nut w/Pin



Billows™ Structure, EN

Parts List

PART NUMBER	DESCRIPTION	QTY.
283431	CUST FLEX CLIMBER 56i/72i DK W/ HHOLD EN INST	1
283430	CUST FLEX CLIMBER IN-FILL 4 EN BELT	2
280536	CUST 3/4 BARRIER ACCENT STRIPE PNT	4
280535	CUST 3/4 BARRIER PERM	2
280519	CUST FLEX CLIMBER IN-FILL 3 BELT	2
280486	CUST FLEX CLIMBER IN-FILL 2 BELT	2
280478	CUST FLEX CLIMBER SPRT FEMALE PNT	2
280467	CUST FLEX CLIMBER IN-FILL 1 BELT	2
202623	BK FLEX CLIMBER NET	2
201311	FLEX CLIMBER SLEEVE PNT	2
201306	DOUBLE HELIX LOWER NET SUPPORT	2
192608	HELIX CENTER SPRT	1
176539	THD ROD 3/8X3-1/4 SST P A	4
161898	PROPRIETARY NET CLMP	14
127179	BUSH 5/8OD X 3/8 LG SST	40
124460	BHCS 6LP 3/8x3-3/4i SST	2
113729	CLAMP OFFSET 5 RAIL HGR	2
113468	TUBE 7/8OD X 1-11/16 PNT	2
105327	CLMP HALF 5 AL	2
104731	CLMP HALF 1-3/4i STL	22
100611	RVT 1/4X3/8 AS (GRIP=.328/.422)	30
100610	RVT 1/4X5/8 AS (GRIP=.578/.672)	2
100365	WASHER FLAT SAE 3/8i SST	96
100362	WASHER FLAT 3/8i SST	108
100353	FLG NUT 6LP 3/8-16 SST	96
100351	MOD T-NUT 3/8-16 SST	4
100349	3/8 HEX NUT L/C CAP	56
100327	HEX NUT STD 3/8-16 SST	6
100290	BHCS 6LP LTHD 3/8X7/8iSST	40
100198	BHCS 6LP 3/8x1-1/8i SST	48
100196	BHCS 6LP 3/8x7/8i SST	20
100195	BHCS 6LP 3/8x5/8i SST	78
100171	BHCS 6LP 3/8x1-1/2iSSTP A	6

Installation Instructions

- 1) Assemble structure following steps and details shown. Use 2D layout as a reference.
- 2) Install protective surfacing before users are allowed to play on the structure.

Specifications

Cable Assembly: (**Cable**) Made of tightly woven polyester-wrapped, six-stranded galvanized-steel cable with a polypropylene core. (**Cable Connectors**) 6063-T6 aluminum.

Net Support: Weldment comprised of 3.500" (88,9 mm) O.D. RS20 .125" (3,18 mm) wall galvanized steel tubing, $\frac{3}{8}$ " (9,53 mm) thick SST plate, and $\frac{1}{4}$ " (6,35 mm) HRPO flat steel. Finish: ProShield®, color specified.

Center Support: Weldment comprised of 2.375" (60,33 mm) O.D. RS40 (.130" - .140") (3,30 mm-3,56 mm) wall galvanized steel tubing and $\frac{3}{8}$ " (9,53 mm) thick SST plate. Finish: ProShield, color specified.

Support Sleeve: Weldment comprised of 3.500" (88,9 mm) O.D. RS20 .125" (3,18 mm) wall galvanized steel tubing, and 2.375" (60,33 mm) O.D. RS40 (.130" - .140") (3,30 mm-3,56 mm) wall galvanized steel tubing. Finish: ProShield, color specified.

Infill Panel: Recycled Permalene®, color specified.

Barrier: Weldment comprised of 1.125" (28,58 mm) O.D. 11 Ga. (.120") (3,05 mm) wall steel tube per ASTM A513 with 203 or 303 stainless steel threaded inserts with $\frac{5}{8}$ " (15,88 mm) internal threads and $\frac{1}{4}$ " (6,35 mm) tabs. Finish: TenderTuff, color specified.

Steel Half Clamps: Fabricated from of $\frac{1}{4}$ " (6,35 mm) HRPO flat steel. Finish: ProShield, color specified.

Net Clamp: Weldment comprised of $\frac{1}{4}$ " (6,35 mm) x $1\frac{3}{4}$ " (44,45 mm) HRPO flat steel and .375" (9,53 mm) stainless steel sheet. Finish: ProShield, color specified.

5" Clamps: Cast aluminum. Finish: ProShield, color specified.

Fasteners: Primary fasteners shall be socketed and pinned tamperproof in design, stainless steel (SST) per ASTM F 879 unless otherwise indicated (see specific product installation/specifications).

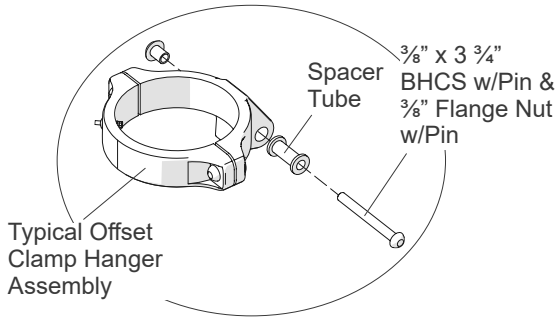
Installation Time: Approx. 6 man hours

Weight: 393 lbs.

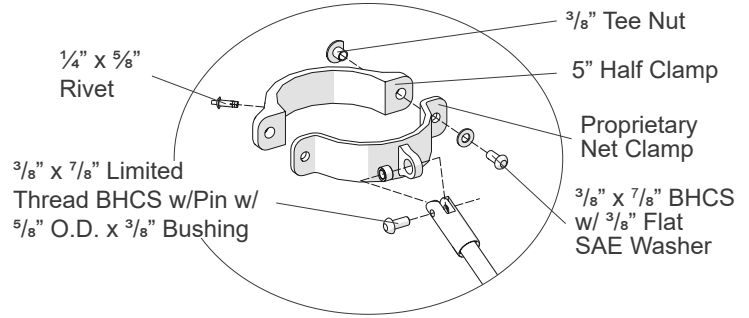
Fall Height: 99" (2,51 m)

STAR SEEKER

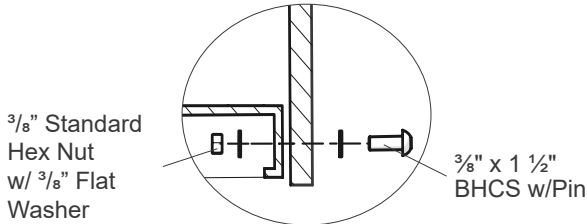
DETAIL
CLAMP/PERM ATTACHMENT



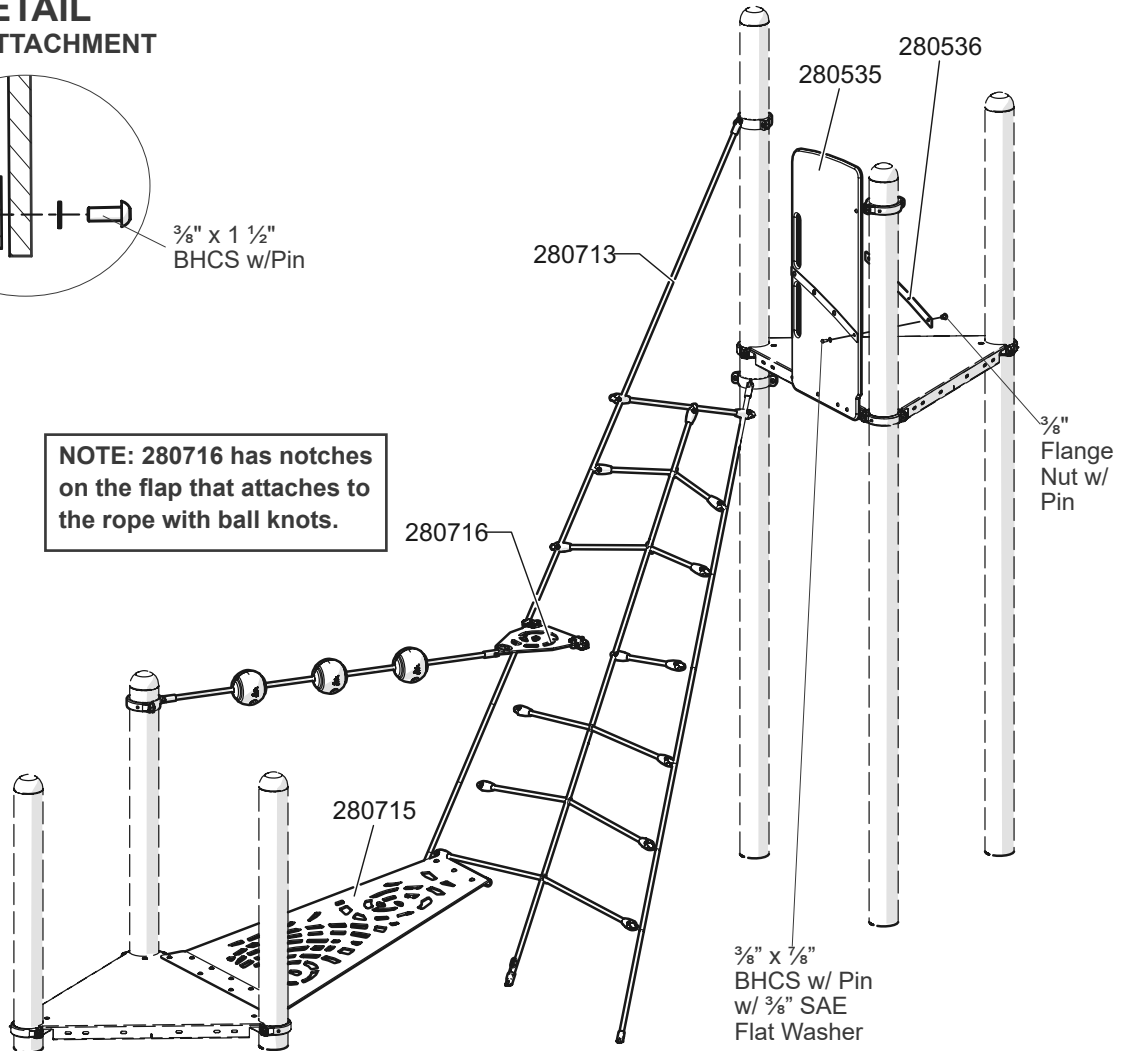
DETAIL
CLAMP ATTACHMENT



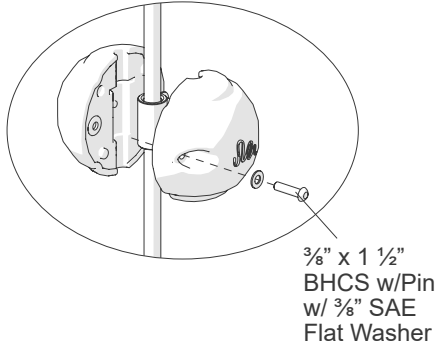
DETAIL
DECK ATTACHMENT



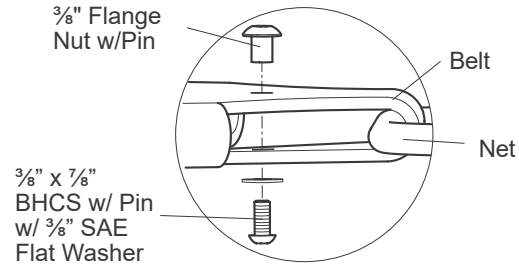
NOTE: 280716 has notches on the flap that attaches to the rope with ball knots.



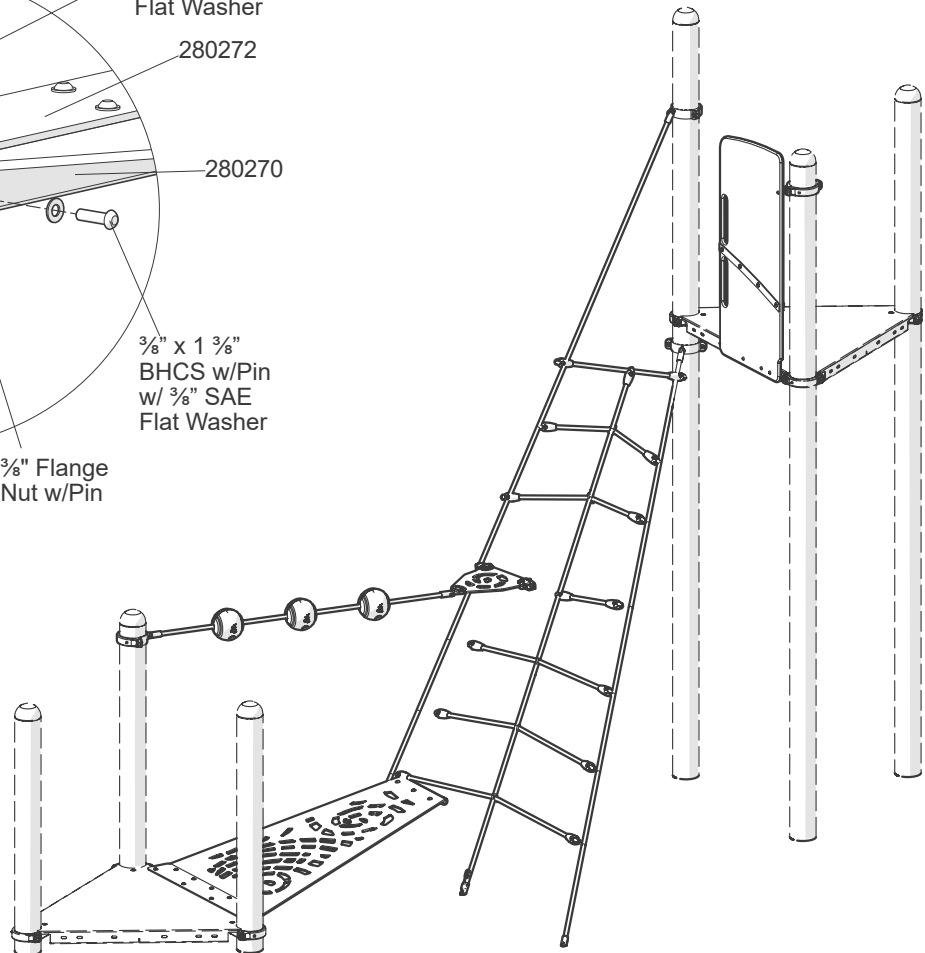
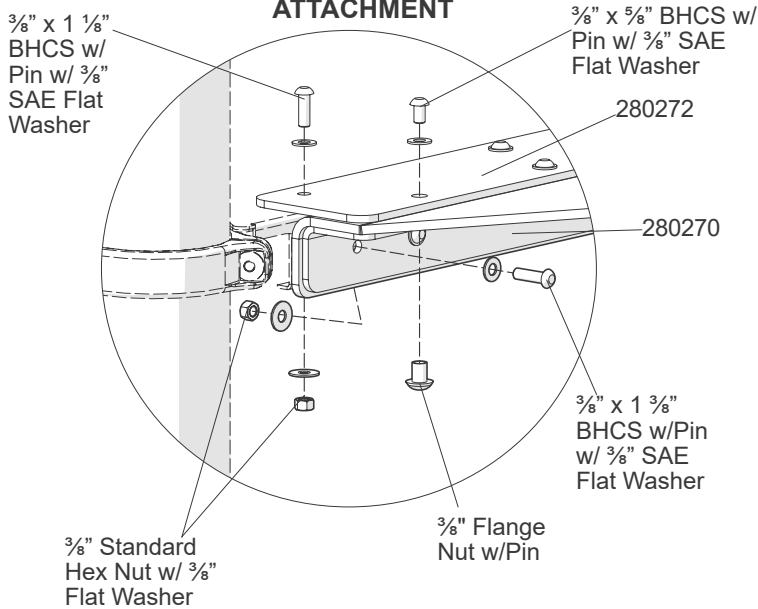
**DETAIL
SWIGGLEKNOT
ATTACHMENT**

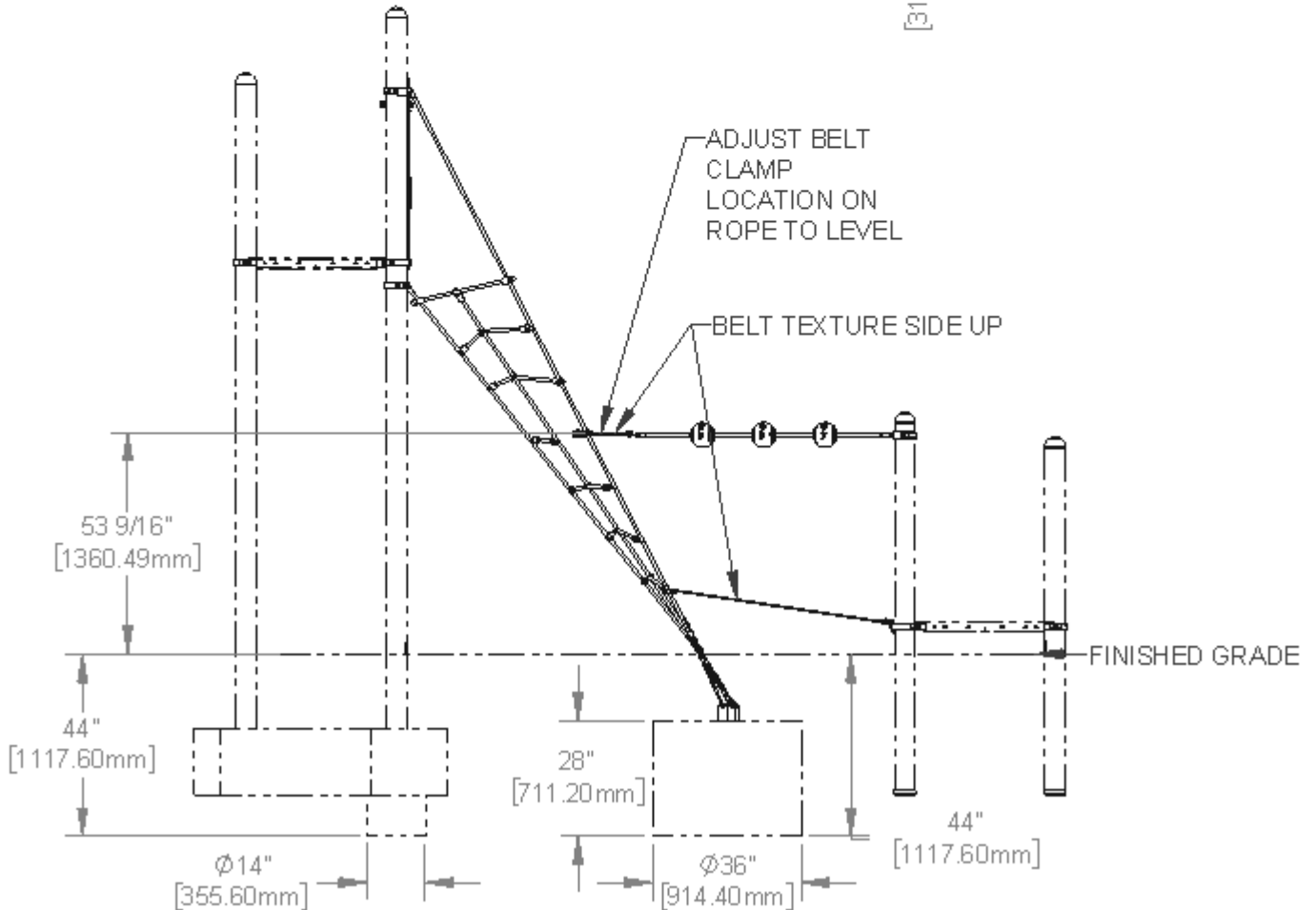
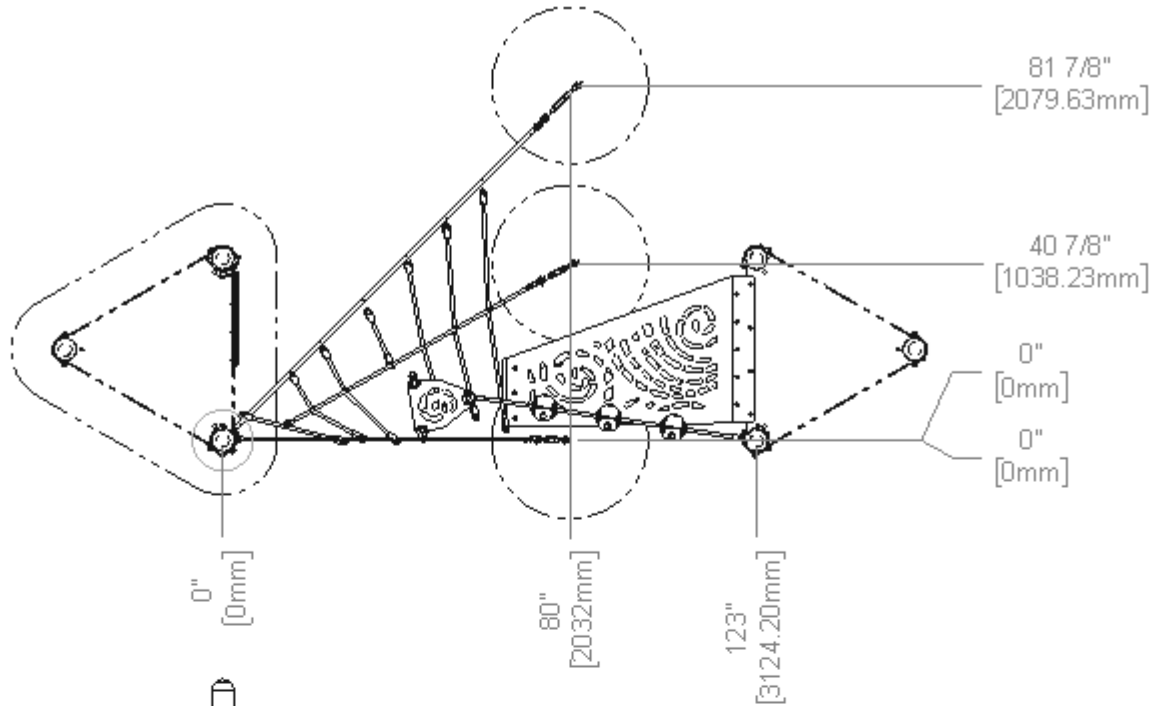


**DETAIL
BELT/NET ATTACHMENT**

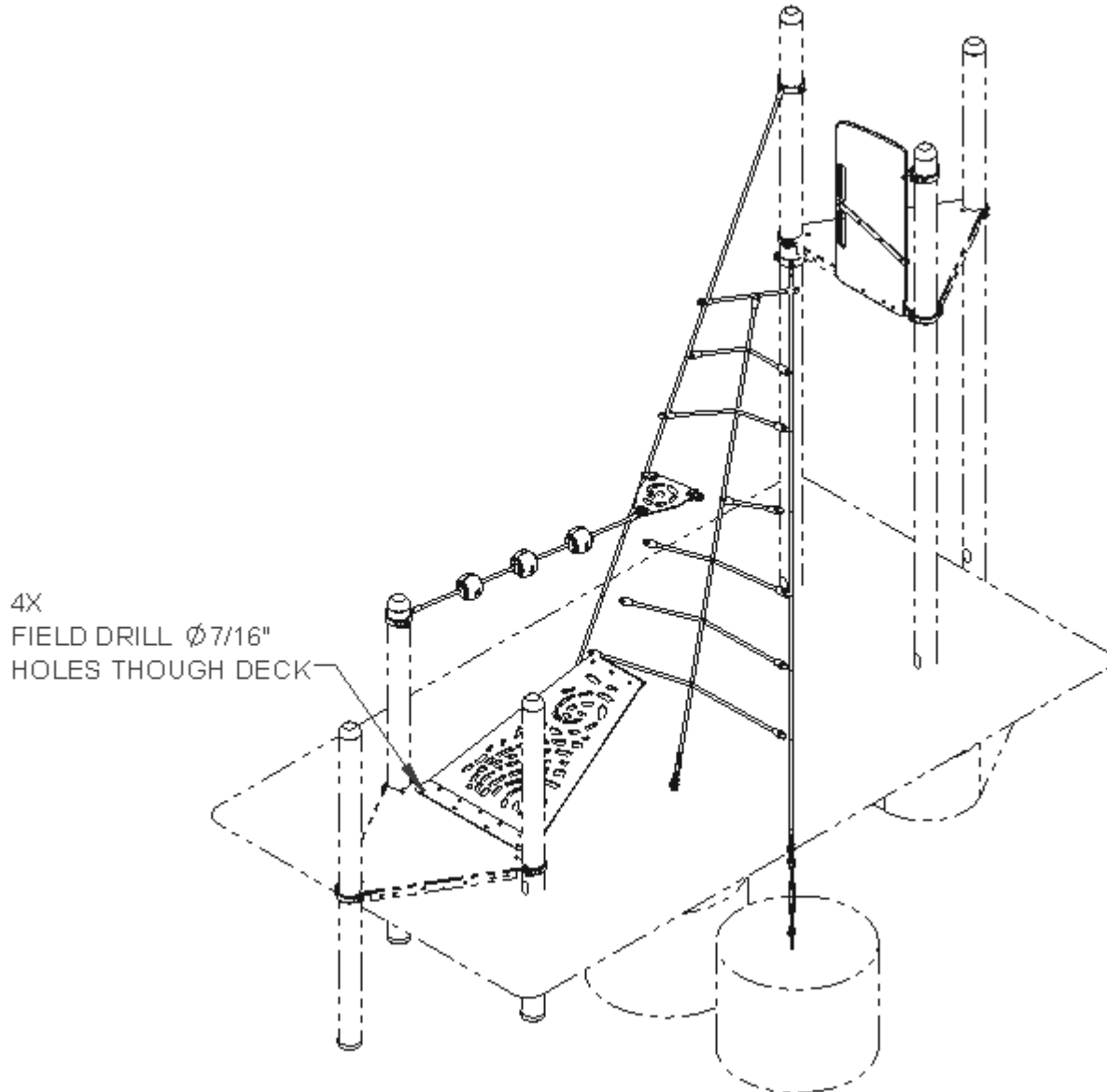


**DETAIL
BELT TO DECK
ATTACHMENT**

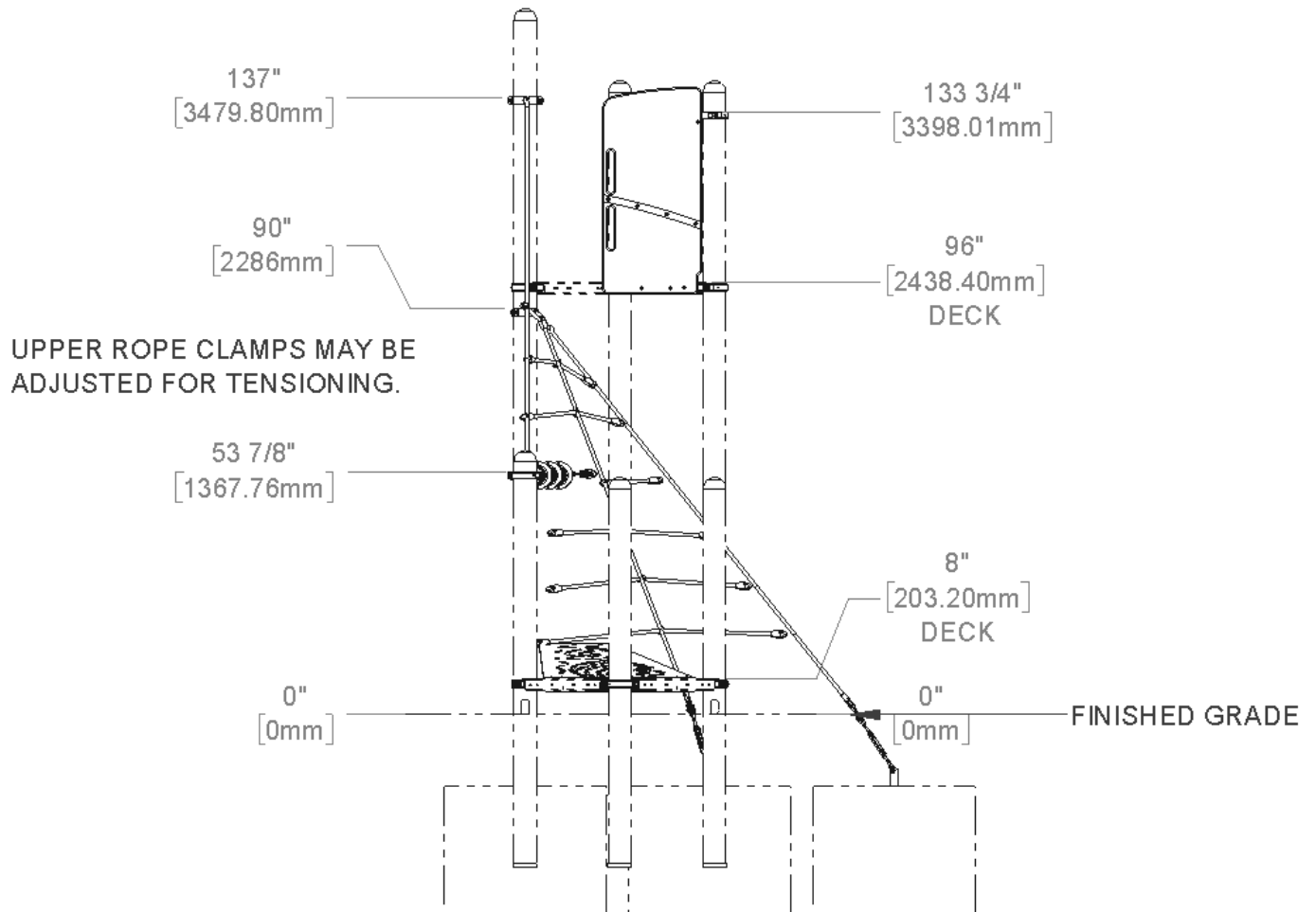




Billows™ Structure, EN



Billows™ Structure, EN



Billows™ Structure, EN

Parts List

PART NUMBER	DESCRIPTION	QTY.
283160	CUST 62i 3 KNOTS ROPE	1
280716	CUST TRIANGLE PLATFORM BELT	1
280715	CUST STAR SEEKER BASE BELT	1
280713	CUST 96i STAR SEEKER ROPE	1

280536	CUST 3/4 BARRIER ACCENT STRIPE PNT	2
280535	CUST 3/4 BARRIER PERM	1
280272	CUST BELT BRIDGE 33.5i ATCH PLATE LOWER PNT	1
280270	CUST BELT BRIDGE 33.5i ATCH LOWER ANGLE PNT	1
252010	HELICAL BELT CASTING	4
247871	SINGLE ROPE FOOTER HDG	3
193985	RUBBER MAT FASTENER2	1
193984	RUBBER MAT FASTENER	1
192748	CABLE BALL KNOT HALF	6
175006	FLG NUT 6LP 5/16-18 SST	6
162921	LINK 3/8iX1iX2-1/2i SST	3
161898	PROPRIETARY NET CLMP	3
157002	TURNBUCKLE	3
156962	BUSH 5/8 OD X 1/2 LG SST	3
138915	BOLT LINK SST	3
132626	BHCS HP 5/16 X 7/8i SST	6
127179	BUSH 5/8OD X 3/8 LG SST	7
124460	BHCS 6LP 3/8x3-3/4i SST	1
123224	BHCS 6LP 3/8x1-11/16i SST	6
113729	CLAMP OFFSET 5 RAIL HGR	1
113468	TUBE 7/8OD X 1-11/16 PNT	1
113027	BHCS 6LP 3/8x1-3/8i SST	6
105327	CLMP HALF 5 AL	4
100734	CHAIN 7.5i	3
100610	RVT 1/4X5/8 AS (GRIP=.578/.672)	4
100365	WASHER FLAT SAE 3/8i SST	45
100362	WASHER FLAT 3/8i SST	16
100353	FLG NUT 6LP 3/8-16 SST	15
100351	MOD T-NUT 3/8-16 SST	8
100327	HEX NUT STD 3/8-16 SST	19
100292	BHCS 6LP LTHD 3/8X1-1/4i SST	3
100290	BHCS 6LP LTHD 3/8X7/8iSST	7
100198	BHCS 6LP 3/8x1-1/8i SST	6

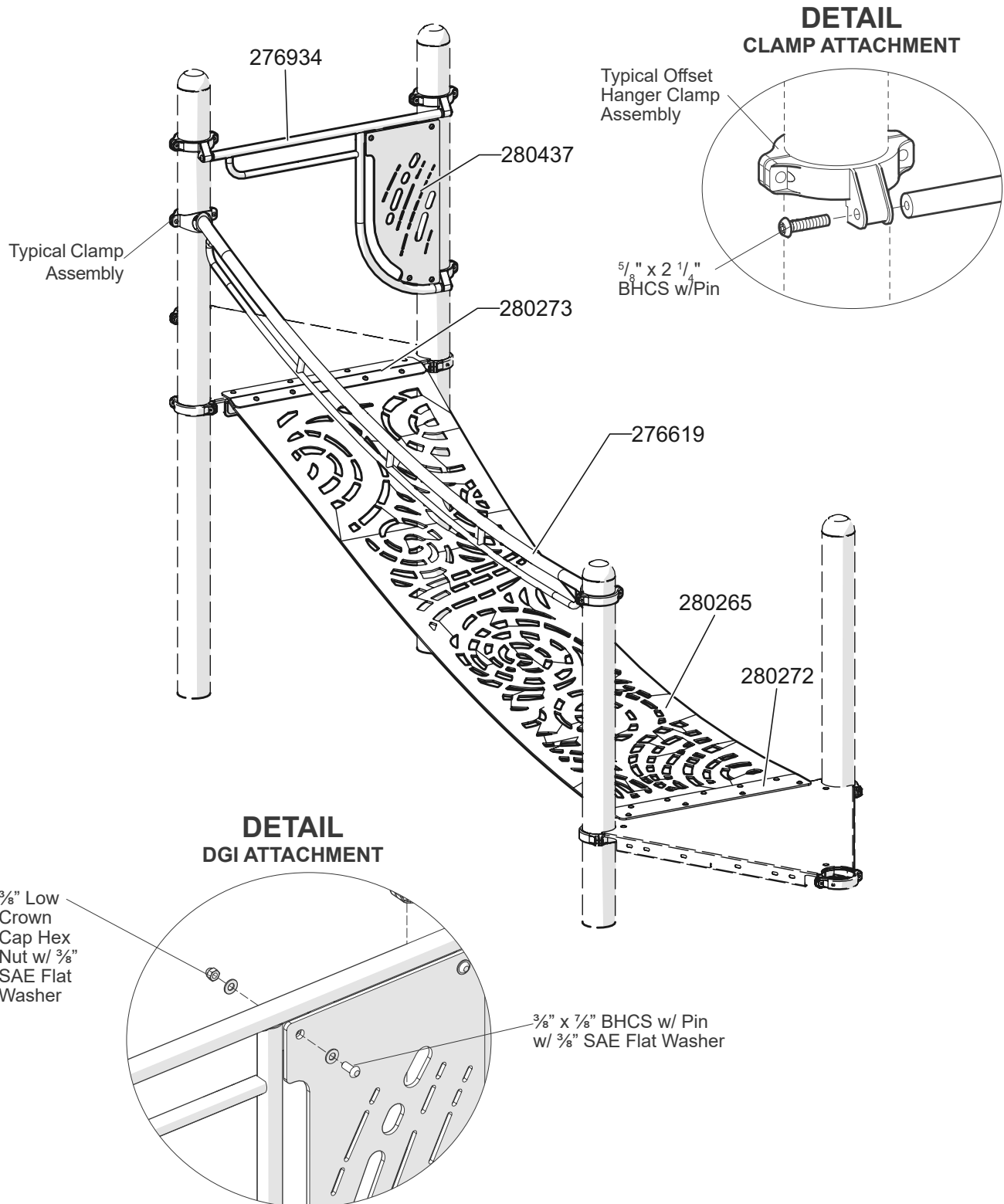
Installation Instructions

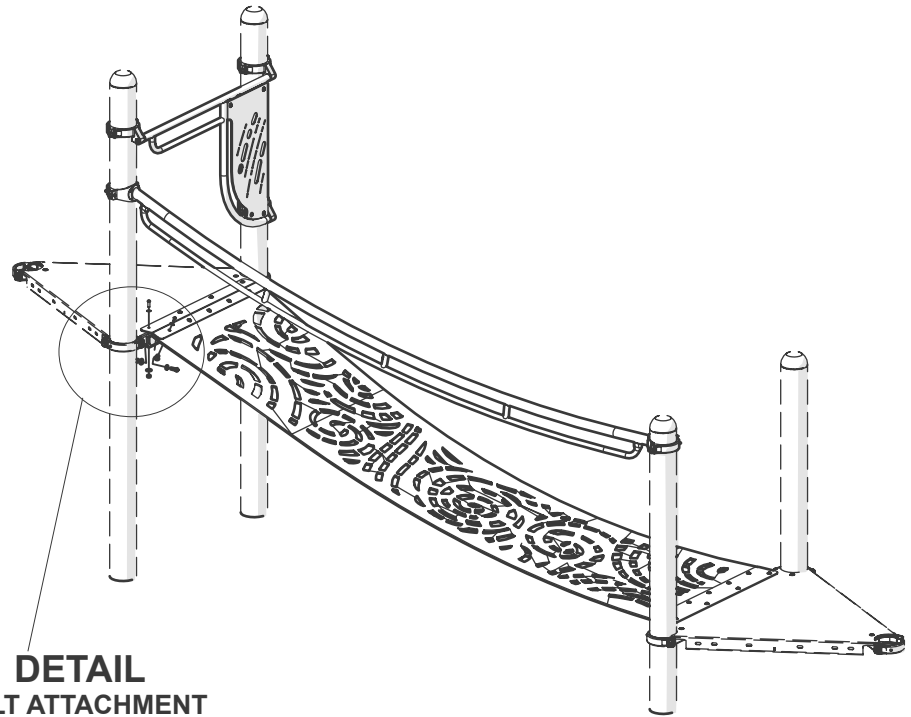
- 1) Assemble structure following steps and details shown. Use 2D layout as a reference.

Direct Bury - With structure square, plumb and level, pour concrete footings. Allow concrete to cure a minimum of 72 hours before users are allowed to play on the structure.

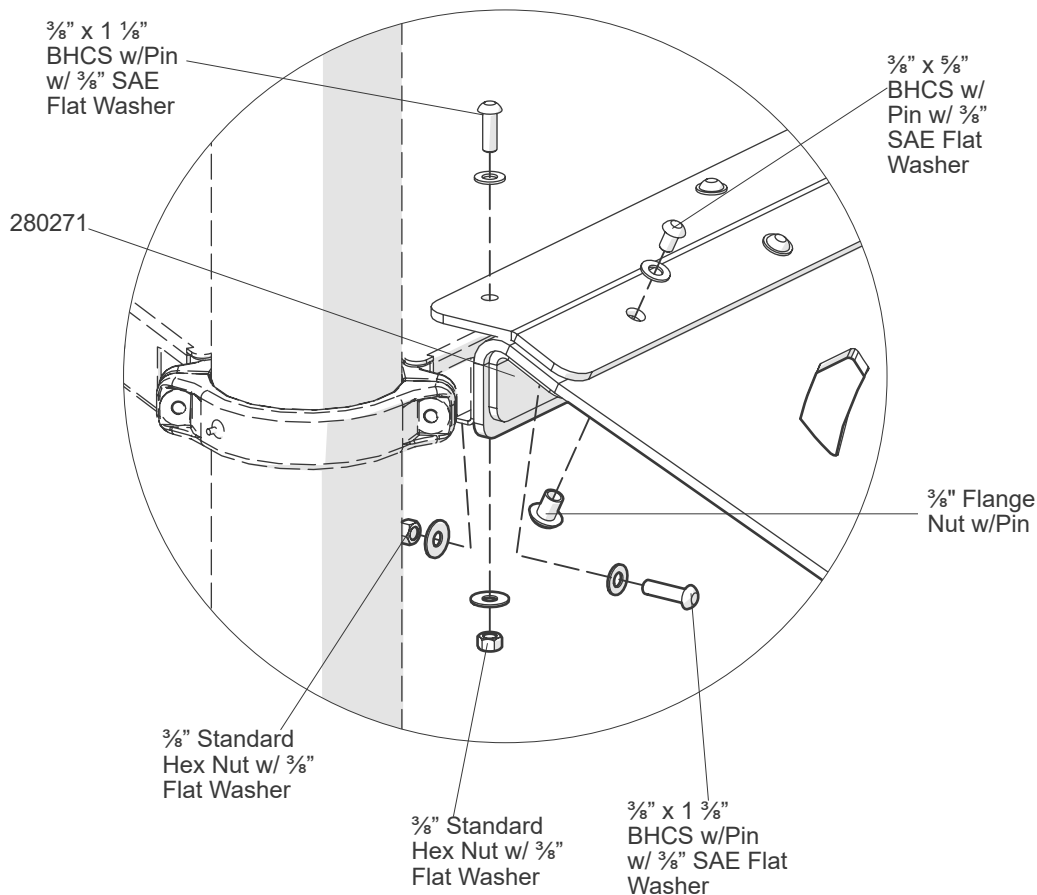
- 2) Install protective surfacing before users are allowed to play on the structure.

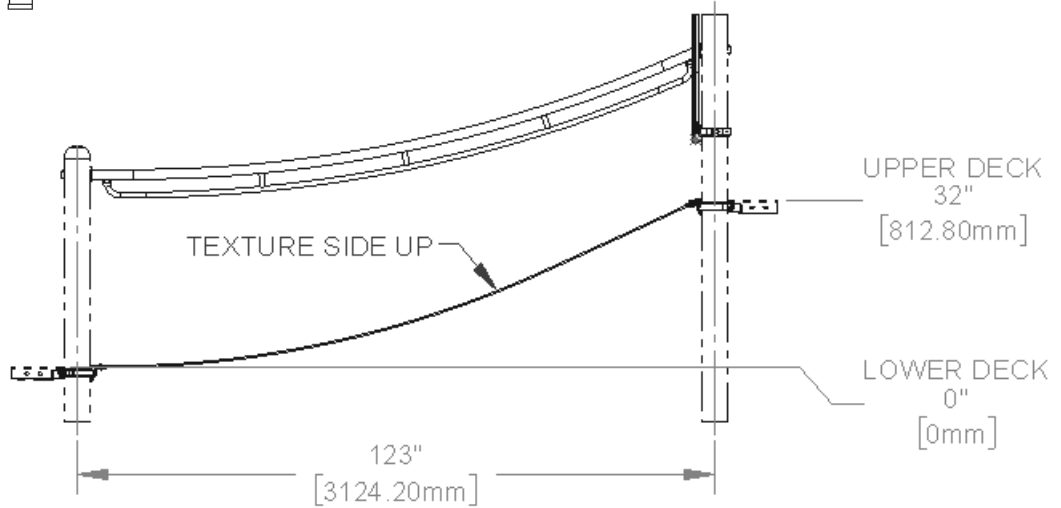
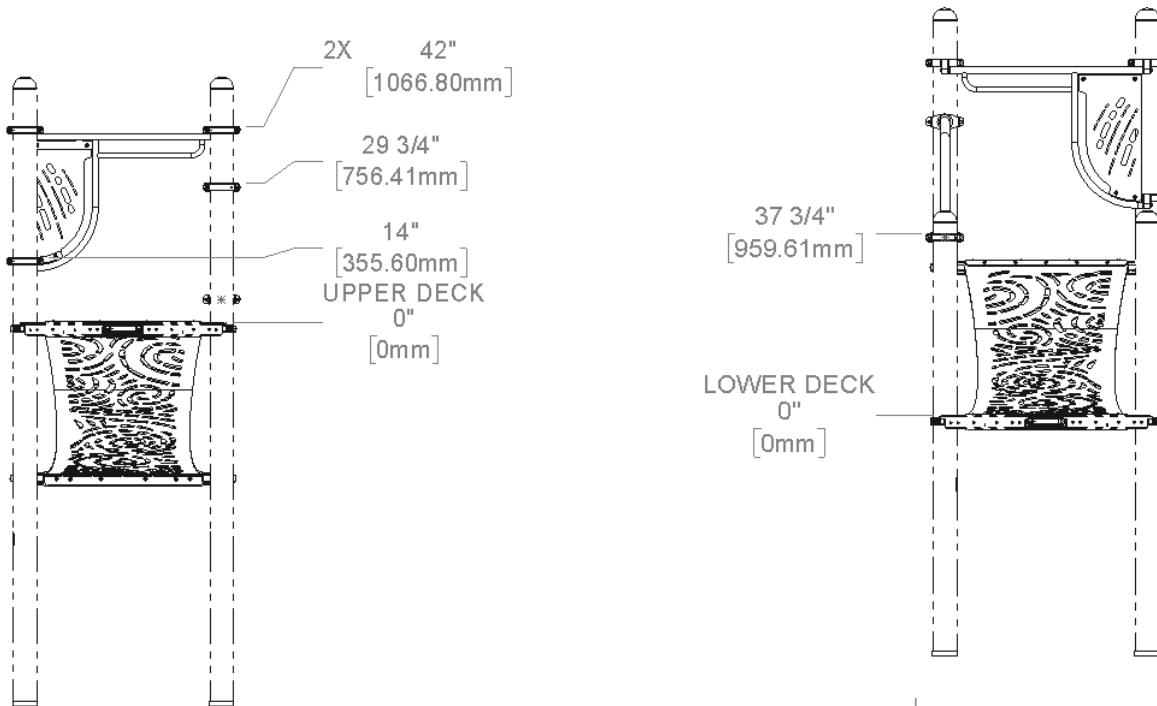
BELT CLIMBER



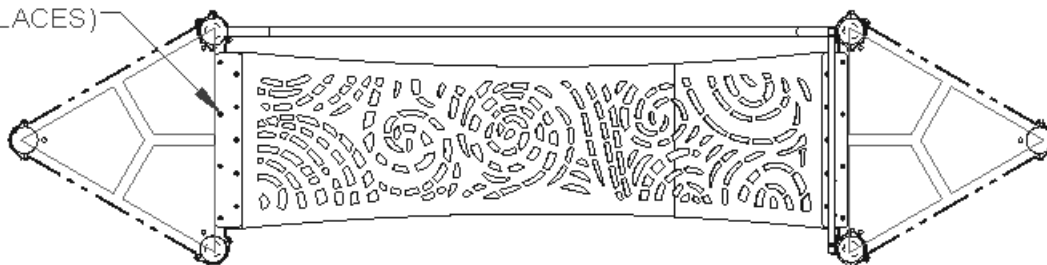


**DETAIL
BELT ATTACHMENT**





FIELD DRILL $\varnothing 3/8$ "
HOLES THROUGH
DECK (8 PLACES)



Billows™ Structure, EN

Sheet 26 of 67

Parts List

PART NUMBER	DESCRIPTION	QTY.
280437	CUST BELT CLIMBER HHOLD DGI	1
280273	CUST BELT BRIDGE 33.5i ATCH PLATE UPPER PNT	1
280272	CUST BELT BRIDGE 33.5i ATCH PLATE LOWER PNT	1
280271	CUST BELT BRIDGE 33.5i ATCH UPPER ANGLE PNT	1
280270	CUST BELT BRIDGE 33.5i ATCH LOWER ANGLE PNT	1
280265	CUST BRIDGE 34i WIDE 123i OC 32i DK BELT	1
276934	CUST GRAB RAIL SIT DOWN BAR PNT	1
276619	CUST HRAIL 123i OC 24i RISE PNT	1
113729	CLAMP OFFSET 5 RAIL HGR	3
113027	BHCS 6LP 3/8x1-3/8i SST	12
105327	CLMP HALF 5 AL	5
100610	RVT 1/4X5/8 AS (GRIP=.578/.672)	5
100365	WASHER FLAT SAE 3/8i SST	38
100362	WASHER FLAT 3/8i SST	20
100353	FLG NUT 6LP 3/8-16 SST	10
100351	MOD T-NUT 3/8-16 SST	10
100349	3/8 HEX NUT L/C CAP	4
100327	HEX NUT STD 3/8-16 SST	20
100203	5/8 X 2 1/4 BHCS 6LP SST W/PATCH	3
100198	BHCS 6LP 3/8x1-1/8i SST	18
100196	BHCS 6LP 3/8x7/8i SST	4
100195	BHCS 6LP 3/8x5/8i SST	10

Installation Instructions

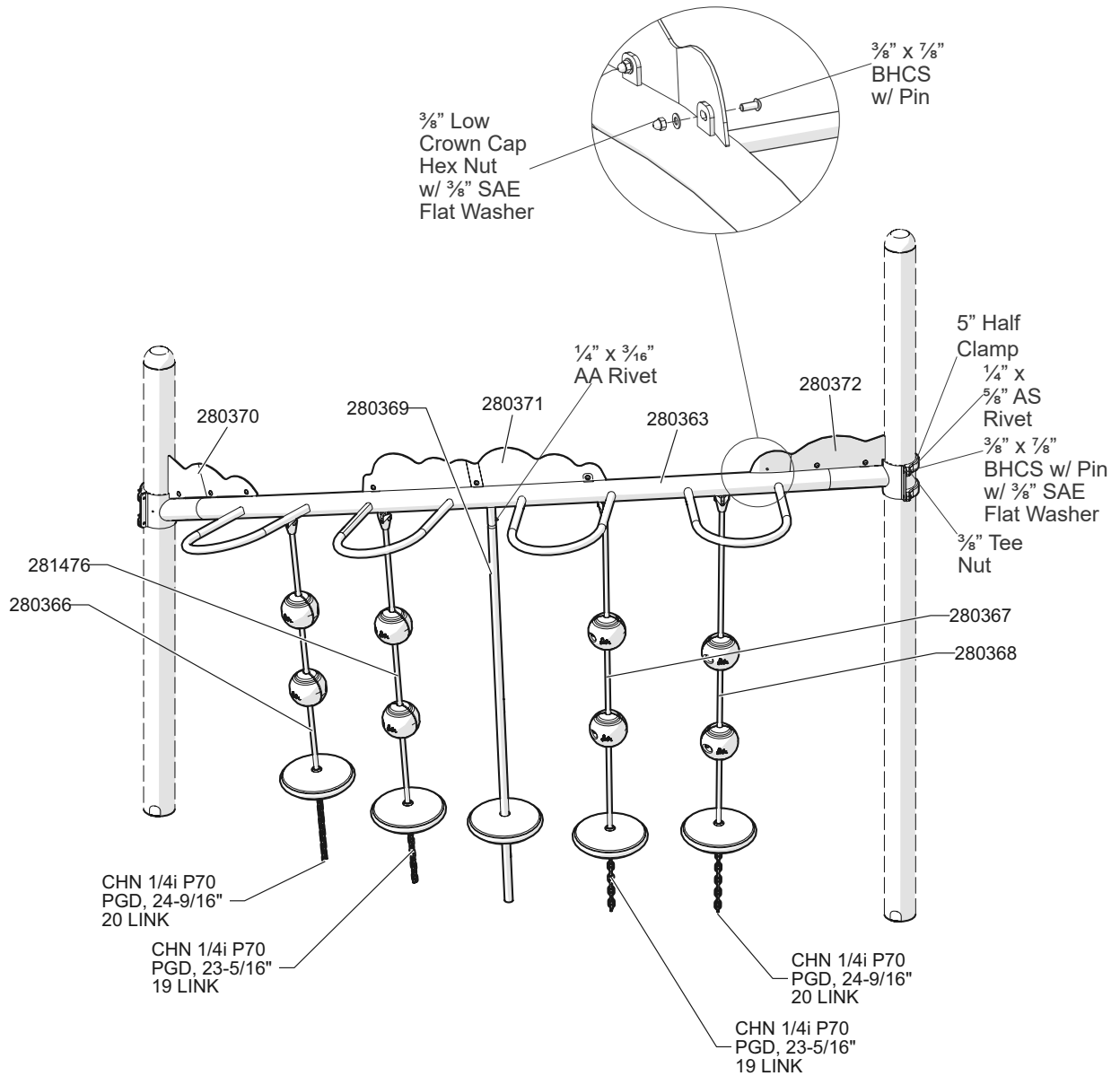
- 1) Assemble structure following steps and details shown. Use 2D layout as a reference.
- 2) Mount belt and attach bent bracket to side face of upper deck.
- 3) Mount belt and attach bent bracket to side face of lower deck.
- 4) Mount attach plates to top side of belt and bolt to bent brackets.
- 5) Field drill holes in deck top face, and then fasten in place.
- 6) Install protective surfacing before users are allowed to play on the structure.

ARCHED OVERHEAD LADDER

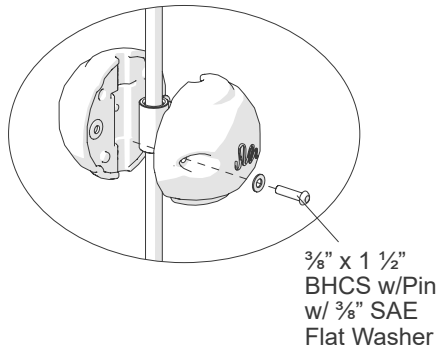
INSTALL STEPS:

1. Mount pods to the support post and place in desired location.
2. Attach main beam to posts with support telescoped underneath.
3. Attach ropes to the main beam and to the footer chains.
4. Mount digiuse panels to top of main beam.

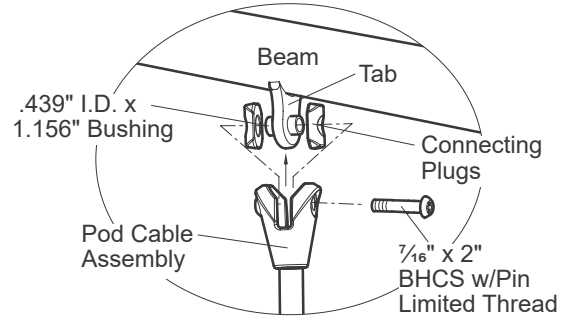
DETAIL DGI ATTACHMENT



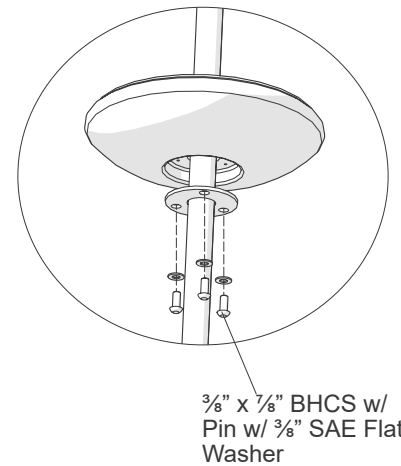
**DETAIL
SWIGGLEKNOT
ATTACHMENT**



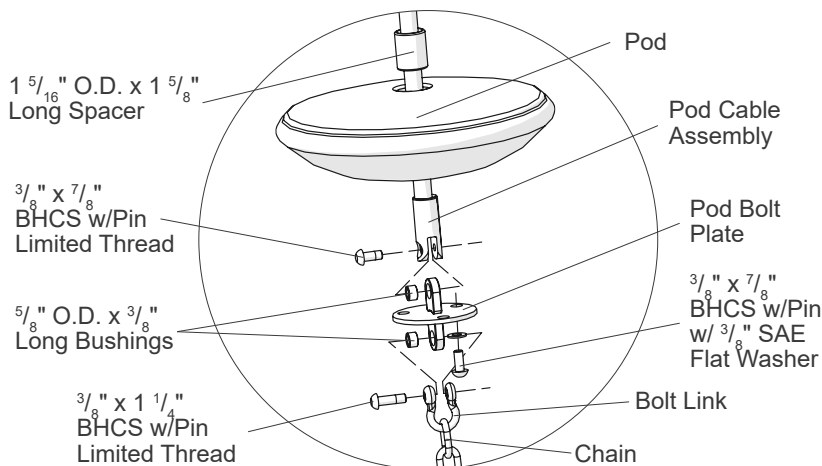
**DETAIL
CABLE ATTACHMENT**



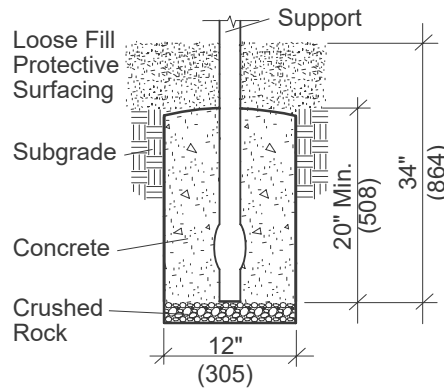
**DETAIL
POD ATTACHMENT**



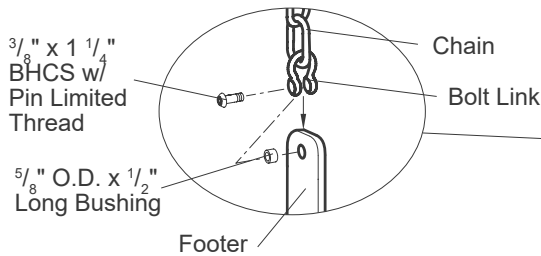
**DETAIL
POD ATTACHMENT**



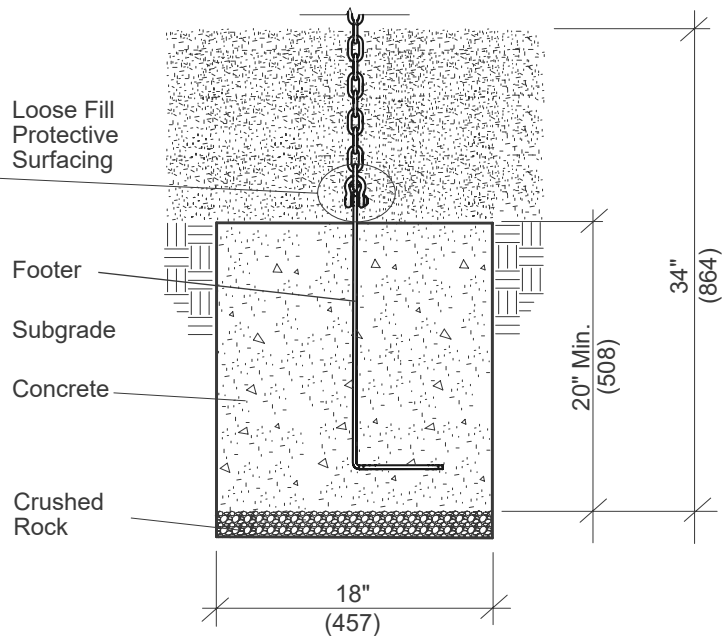
**DETAIL
DIRECT BURY**



**DETAIL
PLATE FOOTER
ATTACHMENT**

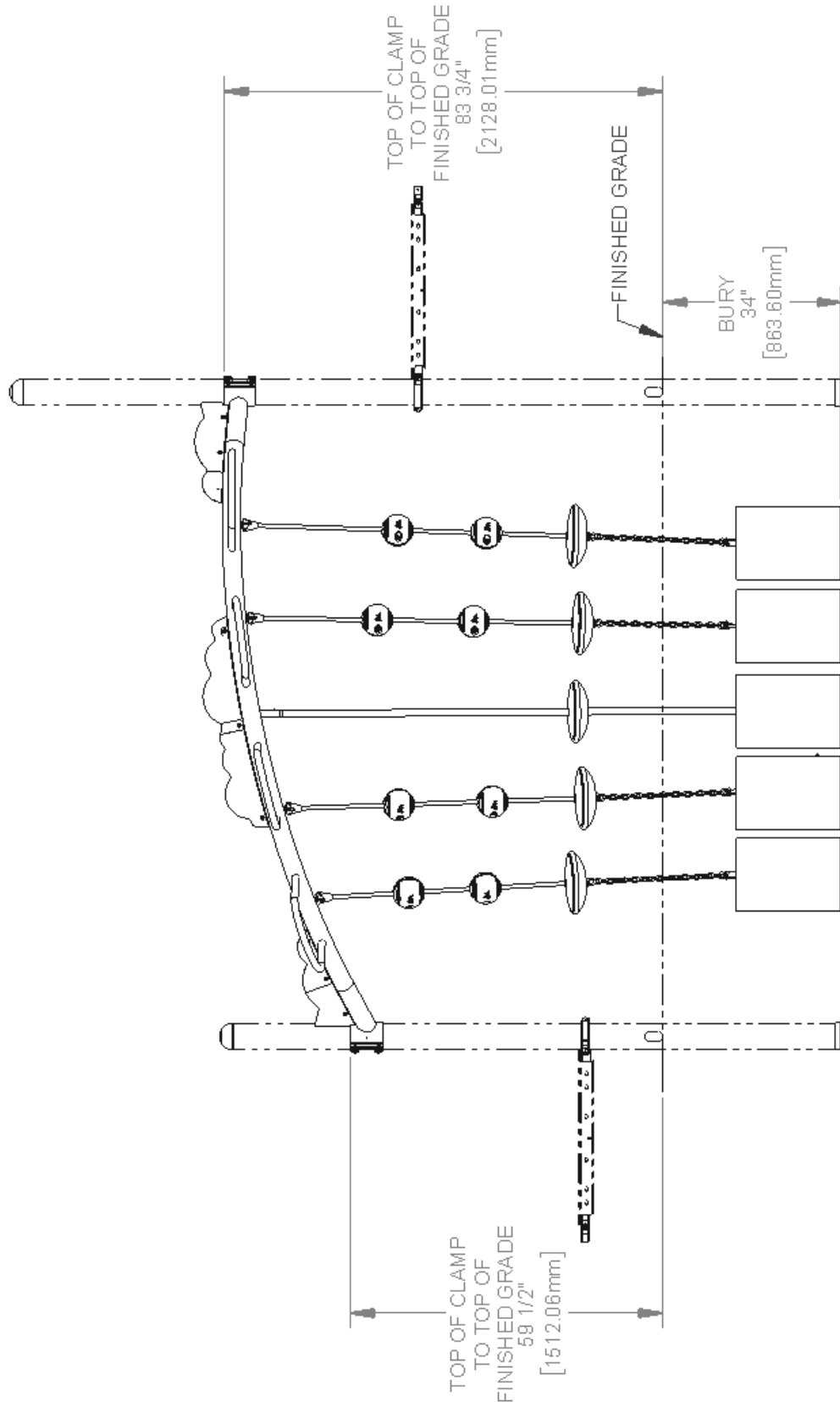


**DETAIL
DIRECT BURY**

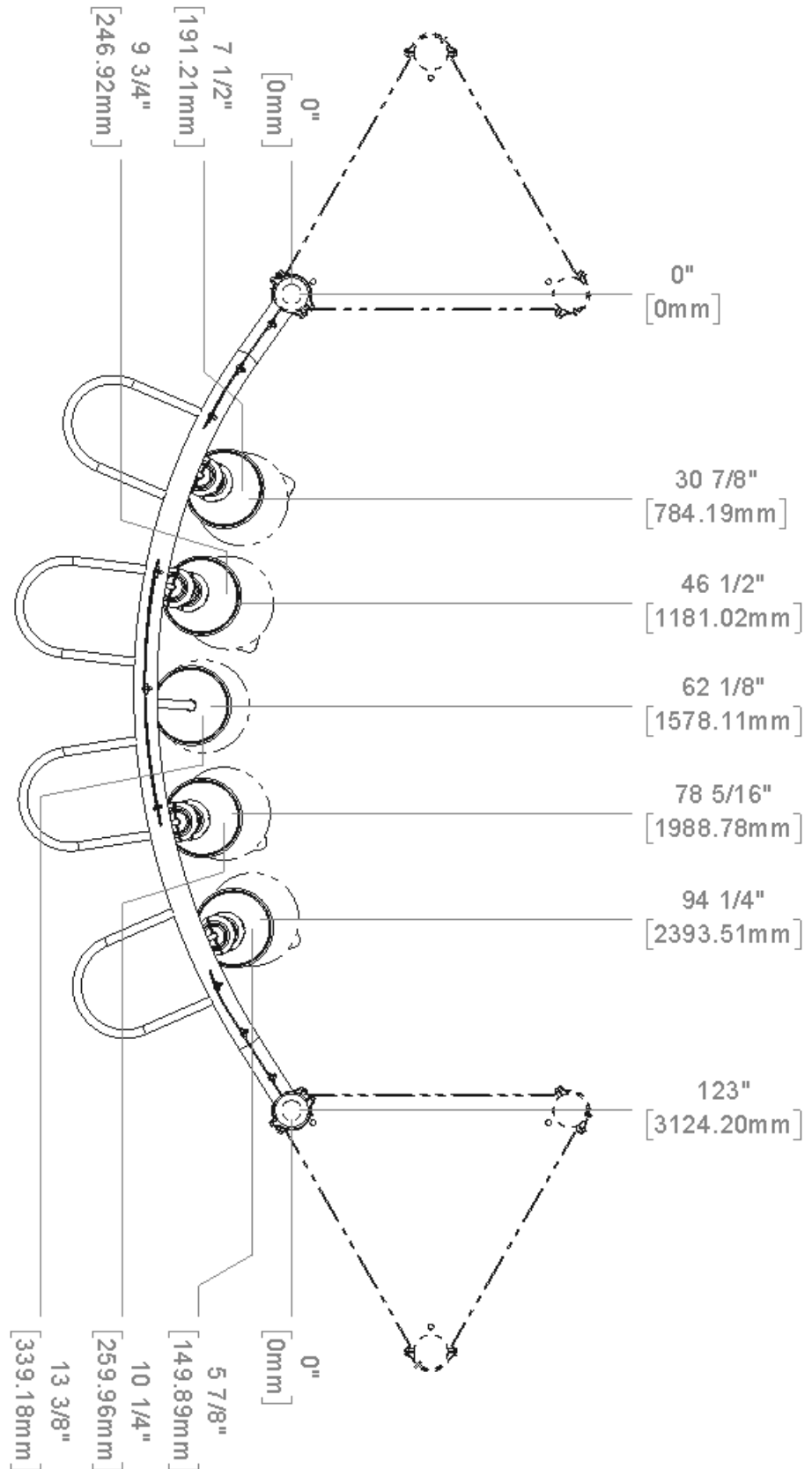


IMPORTANT! Tension ropes/nets before pouring concrete footings.

NOTE: The hole depth for the footer needs to be deep enough, so the footer plate does not contact the bottom of the hole. The weight of the concrete will force the footer plate down, further tightening the cable.



Billows™ Structure, EN



Billows™ Structure, EN