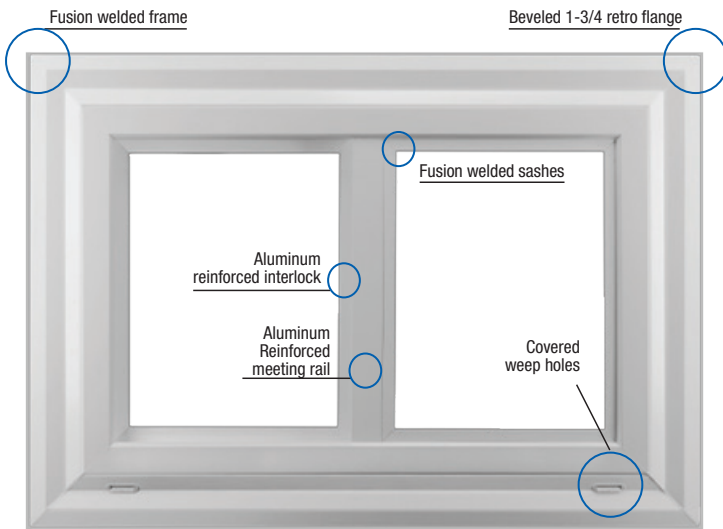




Built strong to last long, our Serene window and door system, will meet your needs for energy efficiency, security and sound control.



Vent Latches for adjustable ventilation



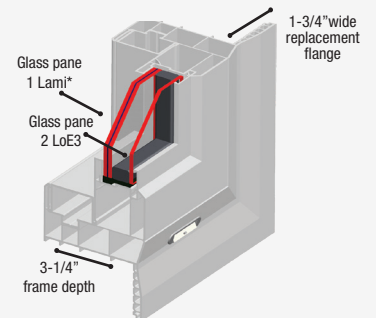
Serene Windows feature the original European inspired automatic sash lock.

The Nylon composite roller and housing provide a much quieter movement and long-lasting durability



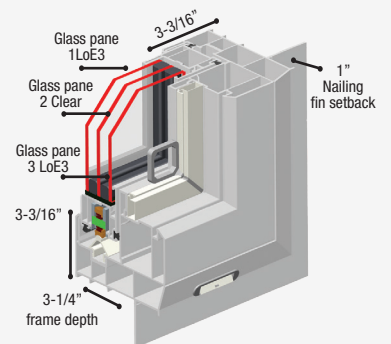
RETROFIT

For replacement applications. This frame type allows convenient installation without the need to break stucco. Impact resistant panels for increased security, glass will not shatter. High sound reduction achieved by a laminated glass pane.



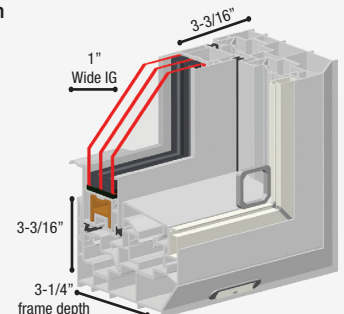
NAIL ON

Nail-on frame allows for targeted installation in new construction applications and is available in 1" and 1-3/8" setback. Two LoE3 glass panes for maximum energy savings. Low U-factor and high condensation resistance. Two inner chambers are filled with argon gas.



BLOCK

Block frame is suitable for some replacement and new construction applications.



GREEN SOUND SECURITY

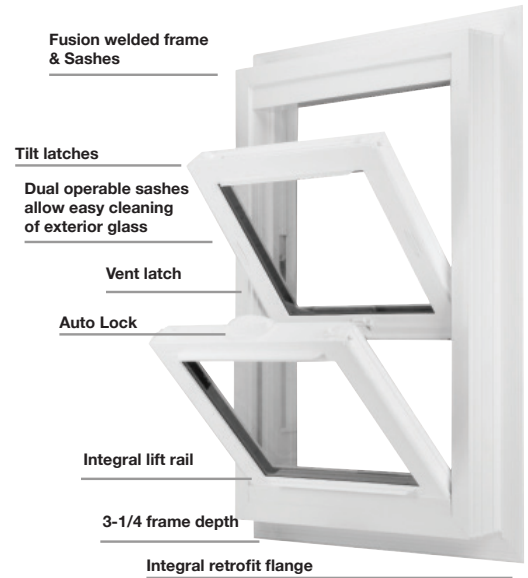
For replacement and new construction applications

Our Serene family of windows and doors, has specific solutions for your project. A Triple glaze, featuring 3 glass panes argon gas filled for maximum energy efficiency, is available. It's also equipped with Duraseal impact resistant components.

Serene Series Key Features:

- Heavy duty extruded vinyl
- Even sight lines
- Miter cut and fusion welded frame and sash
- Steel reinforced sashes
- Integral pull rail
- Replacement flange designed with heavy-duty dual wall 1" & 1-3/8" nailing fin set back
- Auto-lock in sliding & hung models
- Heavy duty hardware on casements and awnings
- Laminated glass option for impact resistance and sound reduction
- STC Rated for low sound transmission
- Nylon composite window rollers on sliding and double sliding models
- Aluminum guide for window rollers
- Hung models feature constant force counter weight balance system
- Vent latches for adjustable ventilation
- Double Hung models allow both sashes to tilt in
- Tilt in Single Hung models allow operating sash to tilt in
- Weep hole covers prevent debris from obstructing the drainage system and provide an aesthetic look
- Beveled, multi-chambered extruded vinyl
- 3-1/4" frame depth
- Duraseal spacer
- Full weather stripping
- 1" insulated glass unit featuring LoE3 glass
- Optional triple pane glass for enhanced thermal performance for increased energy savings
- Factory stacking and mulling options in many different combinations
- AAMA & NFRC certified to meet or exceed industry structural and energy efficiency standards.

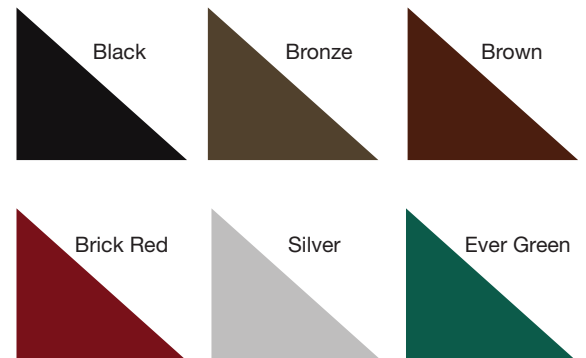
Serene Series double hung window



Serene SH Series Performance

U-Factor	0.20
Solar Heat Gain Coefficient (SHGC)	0.18
Visible Transmission	35%
STC (Sound transmittance rating)	30

Exterior Coating Options



Custom color available at extra charge
*color may vary on actual product

Available Configurations:

- Horizontal slider
- Double horizontal slider
- Tilt-in Single hung
- Double hung
- Picture windows
- Geometric shapes
- Casements & Awnings
- Stacked and mulled combinations

Standard Color:

