



INTERNATIONAL MARBLE INDUSTRIES, INC.

Hospitality



Version 19.0

Cast Marble Solutions for Baths, Shower and More!

Senior Living



- Tub Surrounds
- Shower Surrounds
- Shower Bases
- Window Sills
- Accessories
...and much more!

Multi-Family Housing



Resorts



Higher Education



Healthcare



Military Housing





Recent Projects

Cultured Marble Products We Supply:

- Tub and Shower Surrounds
- Shower Bases - both Standard and Custom Sizes and Shapes
- Window Sills and Cultured Marble Accessories

Hospitality	# Units	Type
AC Marriott Buckhead, Atlanta, GA	167	TS, SS, SB
BeBath, Paris, France	22	O
Best Western, Dubols, PA	38	SB
Best Western, Oakwood, GA	100	TS, VT
Chittimacha Hotel, LA	92	TS, SS
Comfort Inn, Knoxville, TN	82	TS, A
Comfort Inn & Suites, Marion, IL	34	SS, SB, A
Courtyard, Austin, TX	102	TS, SS, SB
Courtyard, Columbus, OH	Multi	TS, SS
Courtyard, Gretna, LA	126	WS
Courtyard, Oxford, MS	124	TS, SS, A
Courtyard, San Francisco, CA	187	TS, SS, A
Courtyard, St. Peters, MO	123	TS, SS, SB, A
Courtyard/Residence Inn, Raleigh, NC	100	WS
Crowne Plaza, Orlando, FL	245	TS, SS
Cypress Bayou Casino Hotel, LA	92	SB, SS
Doubletree, Atlanta, GA	125	SB, A
Dunes Manor, Ocean City, MD	100	TS
Embassy Suites Galleria, Atlanta, GA	101	TS
Fairfield Inn, Albany, NY	99	TS, SS
Fairfield Inn, Alcoa, TN	89	TS, SS
Fairfield Inn, Chincoteague, VA	92	TS, SS
Fairfield Inn, Dayton OH	62	TS, SS
Fairfield Inn, Gastonia, NC	90	TS, SS, A
Fairfield Inn, Greenville, SC	94	TS, SS, A
Fairfield Inn, Lynchburg, VA	129	TS, SS, A
FairField Inn and Suites, Alcoa, TN	82	TS, SS,
FairField Inn and Suites, Altmore, AL	83	TS, SS, A
FairField Inn and Suites, Austin, TX	134	TS, SS, A
Fairfield Inn and Suites, Troy, OH	77	TS, SS, SB, A
Four Seasons, Denver, CO	125	O
Grand Hyatt, Hyderabad, India	100	O
Hampton Inn, Baltimore MD	135	TS, SS
Hampton Inn, Cortez, CO	74	TS, SS, A
Hampton Inn, Des Moines, IA	124	TS, SS, SB, A
Hampton Inn, Hixton, TN	59	TS, SS, WS, A
Hampton Inn, Johnson City, NY	71	TS
Hampton Inn, Norcross, GA	34	SB
Hampton Inn, Richmond Hill, GA	63	TS, A

IMI's Industry Focus for Renovation and New Construction Projects:

- Hospitality
- Student Housing
- Multi-Family
- Senior Living
- Resorts
- Military Housing

Hospitality Continued	# Units	Type
Hampton Inn, Troy, AL	82	TS, SS, A
Hampton Inn, Uniontown, PA	86	TS, SS
Hampton Inn & Suites, Pueblo, CO	81	TS, SB, A
Hawthorne Suites, Bridgeport, VA	Multi	SB
Hawthorne Suites, Wheeling, VA	83	SB
Hilton, Clearwater Beach, FL	410	SB
Hilton, Woodcliff, NJ	331	SB
Hilton Garden Inn, Arlington, TX	138	TS, SS
Hilton Garden Inn, Avondale, AZ	Multi	A
Hilton Garden Inn, Baltimore, MD	145	TS, SS
Hilton Garden Inn, Glyn Allen, TX	155	TS, SS, A
Hilton Garden Inn, Golden, CO	101	TS, SS, A
Holiday Inn Express, Alexandria, VA	120	TS
Holiday Inn Express, Castle Rock, CO	87	TS, A
Holiday Inn Express, Golden, CO	101	TS
Holiday Inn Express, Lexington, KY	82	TS, SS, A
Holiday Inn Express, Salem, OH	71	TS, SS, A
Holiday Inn Express, Smyrna, GA	139	TS, SS
Hotel Lismore, Eau Claire, WI	102	SB
Hyatt Place, Miami, FL	Multi	SS
Indigo Hotel, New Orleans, LA	132	TS, WS
Kempinski Hotel, Doha, Qatar	72	O
La Merigot, Santa Monica, CA	167	SB
La Quinta, Monohans, TX	78	TS, SS, A
LAX Sheraton Four Points	200	TS
Marriott, East Lansing, MI	175	SB
Marriott, Indianapolis, IN	315	SB
Marriott Full Service, N. Charleston, SC	221	SB
Orlando Vista Hotel	220	TS, SS, A
Quality Inn, Columbus, MS	19	SS
Residence Inn, Austin, TX	95	TS, SS, A
Residence Inn, Lake Charles, LA	72	TB, TS, SS, A, WS

Legend:

- TS = Tub Surrounds
- SB = Shower Bases
- SS = Shower Surrounds
- O = Other
- VT = Vanity Tops
- WS = Window Sills
- A = Accessories

Typical CSI Codes: 06 61 13 (Div 06), 22 42 23 (Div 22), 10 28 16 (Div 10), and 10 28 19 (Div 10)



Cast Marble Solutions for Tubs and Showers

Our Story

In 1983, Dirk De Vuyst was relocated from Belgium to New York City to set up an office and distribution center for a large textile manufacturer in Belgium. He arrived at JFK airport with a credit card, 2 suit cases and a mission: go sell textiles in the USA! His efforts ultimately translated into a multimillion dollar investment by the Belgian company to build a spinning mill and weaving facility in South Carolina.

In 1989, Dirk became the CEO of a carpet and rug plant in Georgia. Leading a team of 250, he operated a full continuous extrusion and weaving plant, honed his leadership skills and his love for manufacturing.

In 1995, Dirk bought the assets of International Marble Industries, Inc. (IMI) in Woodstock, GA, refocused its operations on servicing only the Atlanta Homebuilder better. **“Being late” was the norm for the industry and IMI introduced a “guaranteed 5-day install” to the Atlanta market.** Soon the contractors began to take notice. In 1998, the company moved into a brand new 30,000 sq ft facility on 5 acres in the Bell Industrial Business Park.

By 2006, the Atlanta homebuilders built 60,000 homes a year and IMI, with its 125 team members, would install its cultured marble products for 18,000 houses!

During the Great Recession, IMI’s management re-focused its resources on manufacturing shower bases and tub/shower surrounds for Hospitality, Multi-Family and Student Housing. IMI also worked on brand approval with all major flags.

By 2010, IMI expanded its Woodstock, GA plant to 50,000 sq. ft.

The IMI plant is an EPA Certified manufacturing facility. IMI key staff and plant managers are CCP-CT certified (Certified Composites Technician – Cast Polymer). IMI manufactures “MasterCast” cultured marble products using the latest in full, continuous automatic casting technology guaranteeing the most consistent product quality and value available.

Lead-times are critical to our customers and **IMI’s team works hard to ensure that our clients receive their order on their schedule, not ours.**

Delivering quality cast marble surrounds and shower bases on YOUR schedule is our top priority.

Quality, accuracy and support is paramount to our operating principles. Detailed shop drawings allow our clients to precisely inform us of their product needs. Our Quality Assurance team checks the end-product against these specs. Trained support specialists are on standby to answer any technical, installation or product questions you may have.

IMI proudly manufactures cast marble products in the USA.



Cast Marble Solutions

IMI Facts

Dirk De Vuyst and Team IMI are proud to present our latest Product Catalog for 2019. This new addition covers our largest collection ever of our Cast Marble Solutions!

Since 1990 IMI continues to manufacture Cast Marble Solutions in its facility located in Woodstock, GA. IMI produces, packages and ships our cast marble products across the USA, Canada, South America, Europe and the Middle East.

IMI is focused on its core markets, and is thoughtful in its business strategy. None of it would be possible without the unrelenting **commitment from our team**, the continued **support of our suppliers**, and most of all the **trust of our customers**.

IMI wishes you the best of success! We also look forward to meeting your needs during any phase of your project.

IMI Products:

- Cast Marble Solutions
 - Tub and Shower Surrounds
 - Shower Bases
 - Window Sills
 - Accessories
- Glass Shower Enclosures

IMI Industry Focus:

- Hospitality
- Student Housing
- Multi-Family
- Senior Living
- Military Housing
- Healthcare
- Resorts



Revised: 2019.01.02

© 2019 Copyright IMI International Marble Industries, Inc.



INTERNATIONAL MARBLE INDUSTRIES, INC.

304 Bell Park Drive

Woodstock, GA 30188

770.928.2252

www.IMItoday.com



Cast Marble Solutions for Tubs and Showers

What is Cultured Marble?

Cultured Marble is a precise blend of polyester resin, catalyst, material fillers and pigments that is thoroughly mixed and placed into open molds that have been coated with a clear or pigmented gel coat. The gel coat is specially formulated to produce a tough, durable, transparent surface resistant to in service wear. IMI manufactures a unique range of colors, patterns, and veining.

The chemical reaction initiated by the catalyst causes the resin to polymerize and harden, bonding the entire matrix together in a hard, strong mass. After several hours of chemical curing, IMI products are removed from the molds and trimmed, ground, polished and inspected for quality control. IMI products are then ready for shipment and/or installation.

Cultured Marble is a manufactured product, and like natural marble, granite, etc., varies in shade and color. Other products such as carpet, wallpaper, and vinyl tile vary each time they are manufactured. Manufacturers often refer to each "run" as a "dye lot."

The Advantages of Cultured Marble

- **Beauty** - Elegant, luxurious appearance.
- **Durability** - High strength, resistant to denting, chipping, abrasion and staining (with normal use and proper maintenance).
- **Lower Cost** - The casting process enables the manufacturer to produce cultured marble substantially lower than quarried marble.
- **Seamless Construction** - Vanity tops can be cast in one piece (up to 12 feet in length) .
- **Water and Mildew Resistant** - Silicone is used to seal the seams, and it is much less likely to leak or mildew than ceramic tile installations that use porous grout.

What Cultured Marble Products are Manufactured By IMI?

- Shower Bases (Standard and Custom)
- Tub Surrounds
- Shower Surrounds
- Window Sills
- Accessories (Soap Dishes, Foot Rests, Trim, etc.)

Care and Maintenance of Cultured Marble

Because of the hard gel-coat surface and non-porous surfaces, it resists staining. Care is very simple. Routine cleaning with a soft sponge or cloth or non-abrasive aerosol foam cleaner is all that is normally needed to give many years of trouble-free service. Harsh abrasive cleaners are not required nor recommended.

Typical CSI Codes: 06 61 13 (Div 06), 22 42 23 (Div 22), 10 28 16 (Div 10)

Revised: 2019.01.02

© 2019 Copyright IMI International Marble Industries, Inc.





Cast Marble Solutions for Tubs and Showers

Routine Cleaning and Maintenance Instructions for IMI Cast Marble Solutions

IMI Cast Marble products are hand crafted and custom made for your project needs. Cast Marble is easy to care for once installed. Cast Marble is a sealed non porous surface which makes cleaning and maintenance a breeze just using a soft cloth or paper towel along with a non-abrasive cleaner. Routine cleaning will give many years of lust and trouble free service to your Cast Marble.

DAILY CLEANING:

For daily cleaning use a non-abrasive cleaner like soapy water, Windex®, Foam Cleaner or the Magic Eraser®.

Water Marks: Easy by wiping the surface with a damp cloth and then towel dry.

ROUTINE MAINTENANCE:

Matte Surface: On occasion rub surface with a Scotch Brite™ pad and clean using the Daily Cleaning method.

Gloss Surface: On occasion buff with a polishing compound or automotive polishing compound.

Textured Surface: Use the Daily Cleaning method on occasion.

MINOR CUTS and SCRATCHES:

Matte and Textured Surfaces: Sand damaged area with 400 grit sandpaper, and using the routine maintenance method to complete the finish.

Gloss Surface: Sand the area with a random orbit sander beginning with 400 grit sandpaper to remove minor cuts and scratches. On occasion buff with a polishing compound or automotive polishing compound.

Magic Eraser® is a registered trademark of Procter & Gamble.
Windex® is a registered trademark of 3M.
Scotch-Brite is a trademark of 3M.

Revised: 2019.01.02
© 2019 Copyright IMI International Marble Industries, Inc.



INTERNATIONAL MARBLE INDUSTRIES, INC.

| 304 Bell Park Drive | Woodstock, GA 30188 | 770.928.2252 | www.IMItoday.com



Cast Marble Solutions for Tubs and Showers

AT IMI WE TAKE CRATING SERIOUSLY!

We start with pre built components designed around an engineered crate supplied to us by a multi-billion dollar crate and pallet manufacturer.

Then we put the components together to assure maximum strength for transportation to promote damage free delivery of your products.



Final results: safely strapped onto a flatbed for delivery to the job site.



Trust us: paying for the extra crating cost will keep your job on schedule (no waiting for replacement materials) and your costs in check (minimize the extra freight)

Thank you for considering IMI to be part of another successful project!



Cast Marble Solutions

Typical Delivery Methods

Full Truckload Flatbed Trailer or 53' Van

After IMI has produced your order and it is ready for shipment, unless otherwise specified, the material will be placed and shipped via a dedicated flatbed trailer or a 53' van. The order then ships FOB Woodstock, GA direct to the designated location.

A flatbed trailer is typically utilized for large Wall Surround orders while a 53' van is necessary for large Shower Base orders. For larger flatbed trailer deliveries, a forklift with a minimum lift capacity of 5000 lbs and forks at least 72" in length is required. A forklift as well as a pallet jack will be necessary for materials delivered in a 53' van.

Specifications 53' Closed Trailer:

- Inside Length 52' 3"
- Door Width 8' 2"
- Door Height 8' 7"
- Inside Width 8' 2"
- Inside Height 9'
- Max Weight 44K lbs



Ex: 53' Van



LTL Carrier



Ex: Typical flatbed trailer

Contact name and phone number is required at the job site prior to shipping.

Note: If liftgate is needed or appointment is required, additional rates and transit days may apply.

Less Than Truckload (LTL) LTL Carrier

After IMI has produced your order and it is ready for shipment, it will ship LTL (Less than a truckload).

As a rule, these shipments are sent in a 53' Van and will be stopped, unloaded and reloaded at several terminals before it arrives at the designated location. The typical transit time is 2-4 business days. While shipping LTL doesn't cost as much as shipping partial, there is a greater opportunity for damage to the product while en route. IMI will crate and package to ensure the safest delivery.

Rates for an LTL shipments are based on the origin and destination, weight and the product being shipped. Removing the product will require a pallet jack and a forklift with a minimum lift capacity of 5000 lbs. and forks at least 72" in length.

Revised: 2019.01.02



INTERNATIONAL MARBLE INDUSTRIES, INC.

304 Bell Park Drive

Woodstock, GA 30188

770.928.2252

www.IMItoday.com



Cast Marble Solutions

Mission Statement:

IMI is committed to providing High Quality Cast Marble Products and Innovative Design Solutions, along with Superior Customer Service to deliver our Products on Time every Time.

Technical Data - Cast Marble Products

IAPMO/ANSI Z124.1.2-2012

Item	Requirement	Standard	Notes
Surface Finish	Free from defects	ANSI Z124	All Items Comply
Surface Examination	Free from cracks, chipped areas or blisters	ANSI Z124	All Items Comply
Subsurface	No voids	ANSI Z124	All Items Comply
Waste Fitting Conn.	No cracks	ANSI Z124	All Items Comply
Point Impact Load	No cracks or chips	ANSI Z124	All Items Comply
Structural Integrity	No cracks	ANSI Z124	All Items Comply
Colorfastness	Avg. color difference of test material <2 Delta E	ANSI Z124	All Items Comply
Stain Resistance	Complies	ANSI Z124	All Items Comply
Cleanability and Wear	Complies	ANSI Z124	All Items Comply
Ignitability	Ceased to burn after 30 sec; 1" flame from torch	ANSI Z124	All Items Comply
Cigarette	No ignition, easily repairable damage	ANSI Z124	All Items Comply
Chemical Resistance	Unaffected	ANSI Z124	All Items Comply
Thermal Shock Resistance	No cracking, blistering, spalling, or delamination	ANSI Z124	All Items Comply
Water Resistance	No cracking, blistering, spalling, or delamination	ANSI Z124	All Items Comply
Radii-Load	No cracks	ANSI Z124	Pans and Surrounds
Openings and Drainage	Drain at lowest point and drained to waste outlet	ANSI Z124	Pans and Tops with Sinks
Flanges	Minimum 1.0" above threshold	ANSI Z124	Pans Only
Slope to Waste Outlet	Min of 1% and max of 4% to waste outlet	ANSI Z124	Pans Only
Warpage Tolerance	Total warpage of any linear dimension <16mm	ANSI Z124	Pans Only
Thresholds	At least 2" above top of waste outlet	ANSI Z124	Pans Only, ADA & Custom Pans N/A
Flame Spread Index	Meets Class A (Type I) requirements of 0-25	ASTM E84	IMI ProCast
Smoke Developed Index	Meets Class A (Type I) requirements of 0-450	ASTM E84	IMI ProCast



3" x 8" Chevron Tub/Shower Surrounds

WS-CS-CH3x8

Technical Specifications



Dimensions:*

- 2 – end panels 36" x 96"
- 1 – back panel 60" x 96"
- Thickness: 5/16" Nominal thickness
- To fit: 60" x 36" Shower
- Available colors: Solid White 304

Standard Features:

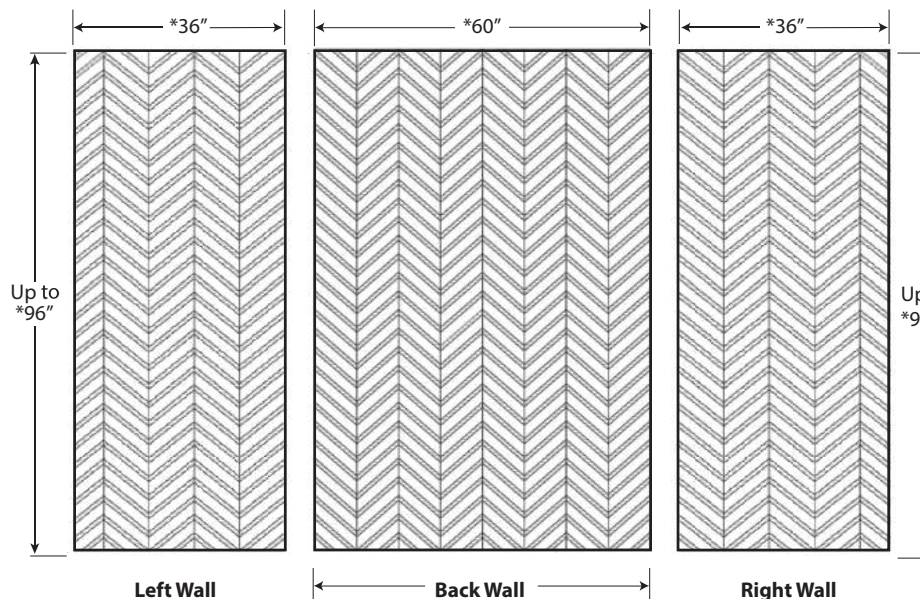
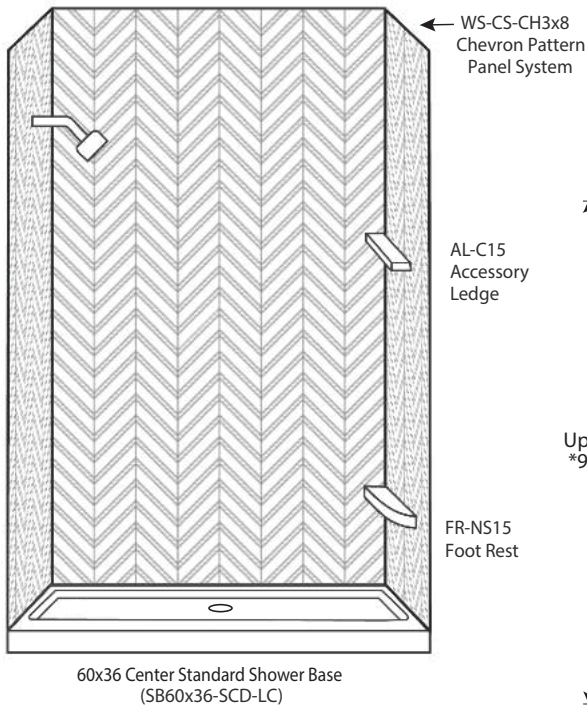
- Gloss finish
- 10 year limited warranty against manufacturing defects

Optional Accessories:

- 1 – AL-C15 Wall Mount 15" Accessory Shelf Ledge**
Includes:
2 – Standoffs
2 – 3" Truss head screws
- 1 – FR-NS15 Wall Mount Non-Slip 15" Footrest**
Includes:
3 – Standoffs
3 – 3" Truss head screws
- 1 – SD-2TWC Chrome Plated 2-Tier Wire Corner Soap Dish**

Optional Hardware for Foot Rests and Accessory Ledges:

- 3 – Winglts (for use only when blocking unavailable)



Note to installer:

1. Grout lines in the corners WILL NOT LINE UP. You will need to exaggerate the off-set grout lines in the corner for design intent.
2. Caulking color to match the surrounding color.

Typical CSI Code: 06 61 13 (Div 06)

* Trim to fit site dimensions. Panels received will be oversized.

** See project drawing for accessory ledge, foot rest & soap dish locations.



Cast Marble Solutions for Tubs and Showers

4" x 15" Chevron Wall Surround - for Shower

WS-CS-CH4x15

Technical Specifications



Dimensions:*

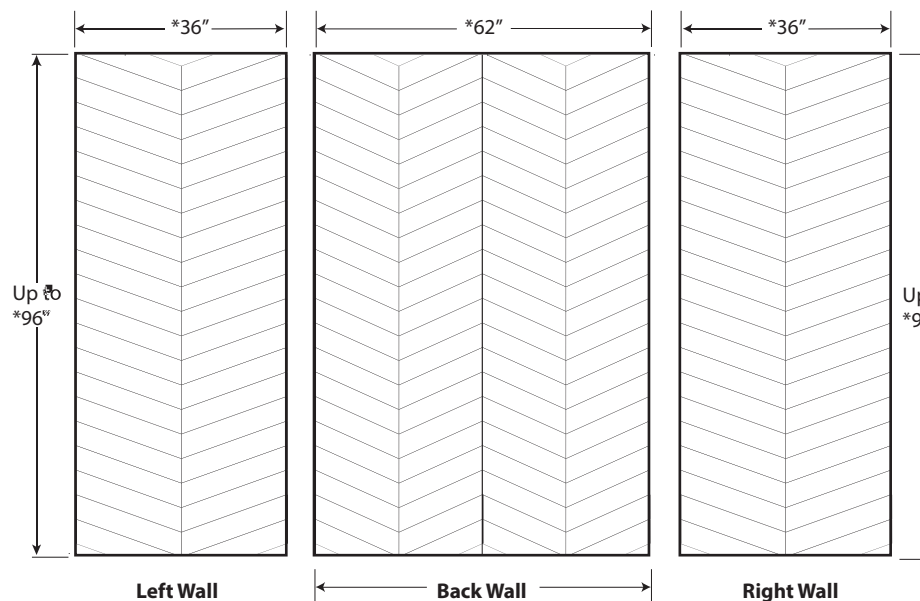
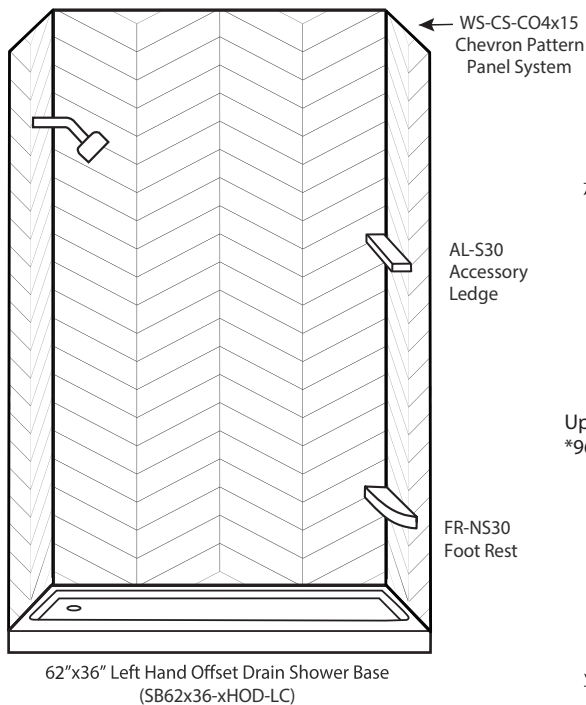
- 2 – end panels 36" x 96"
- 1 – back panel 62" x 96"
- Thickness: 5/16" Nominal thickness
- To fit: 60" x 36" FFI Shower
- Available colors: Solid Ivory

Standard Features:

- Matte finish
- IMI ProCast™ Class A fire rated per ASTM e84
- 10 year limited warranty against manufacturing defects

Optional Accessories:

- 1 – AL-S27 or AL-S30 Wall Mount 27" or 30" Accessory Shelf Ledge**
Includes:
3 – Standoffs
3 – 3" Truss head screws
- 1 – FR-NS27 or FR-NS30 Wall Mount Non-Slip 27" or 30" Footrest**
Includes:
3 – Standoffs
3 – 3" Truss head screws
- 1 – SD-2TWC Chrome Plated 2-Tier Wire Corner Soap Dish**
Optional Hardware for Foot Rests and Accessory Ledges:
3 – Wingits (for use only when blocking unavailable)



Note to installer:

1. Grout lines in the corners WILL NOT LINE UP. You will need to exaggerate the off-set grout lines in the corner for design intent.
2. Caulking color to match the surrounding color.

Typical CSI Code: 06 61 13 (Div 06)

* Trim to fit site dimensions. Panels received will be oversized.

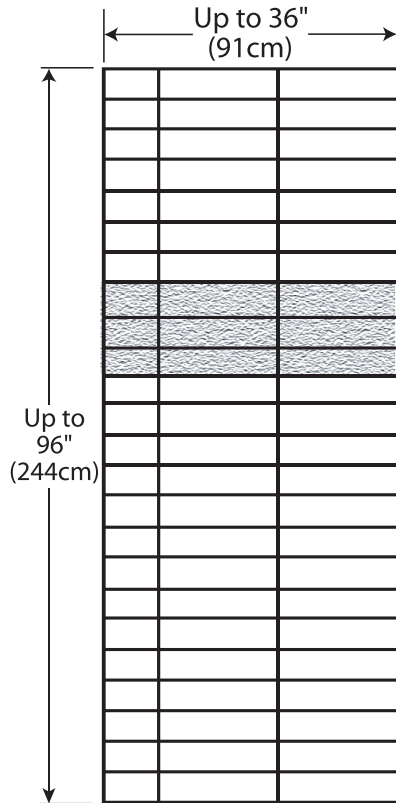
** See project drawing for accessory ledge, foot rest & soap dish locations.



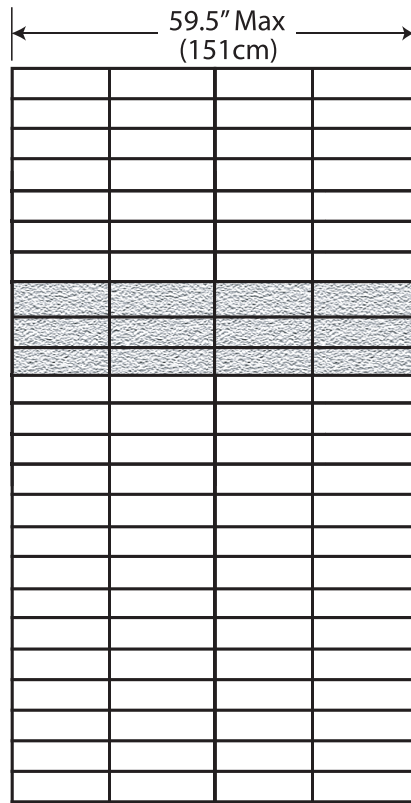
Cast Marble Solutions for Tubs and Showers

4" x 15" Confetti

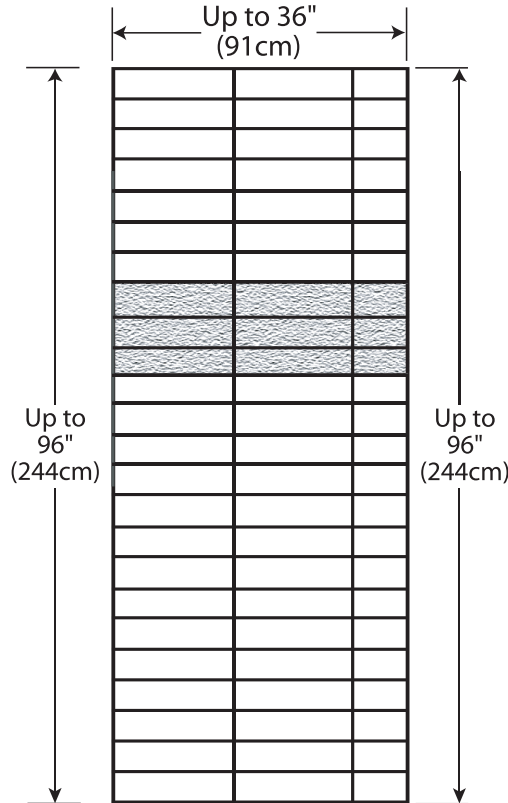
Wall Surrounds
Technical Specifications



Left Wall



Back Wall



Right Wall



Standard Features:

- Individual 'brick' size: 4" x 15" (10cm x 38cm)
- Up to 96" (244cm) Max height
- Back Wall at 59.5" (151cm) Max width
- Side Walls: Up to 36" (91cm) Max width
- 5/16" (0.8 cm) Nominal thickness
- Gloss finish

Minimum Order Quantities Apply

Optional Accessories:

- 2 1/4" x up to 120" x 3/4" Trim Strips (6cm x 305cm x 2cm)
- Soap Dishes
- Shampoo Shelves
- Foot Rests
- Additional Accessories available upon request (minimum quantities apply).

* Color Charts and additional patterns available upon request.

Our products comply with one or more of the following: IAPMO, ANSI, HUD, NAHB, NHQ

Typical CSI Code: 06 61 13 (Div 06)

Revised: 2018.03.01
© 2018 Copyright IMI International Marble Industries, Inc.

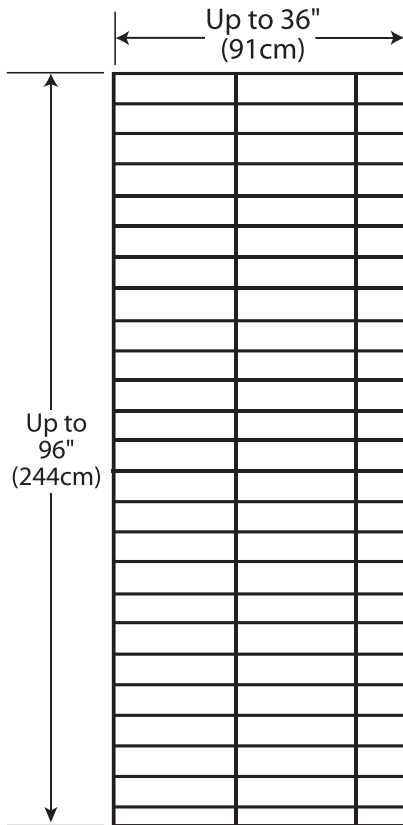


Cast Marble Solutions for Tubs and Showers

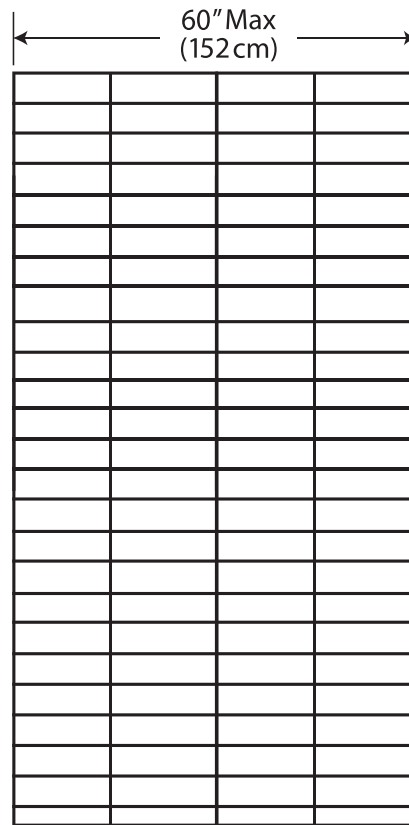
4" x 15" Stacked Tile

WS-CS-ST4X15

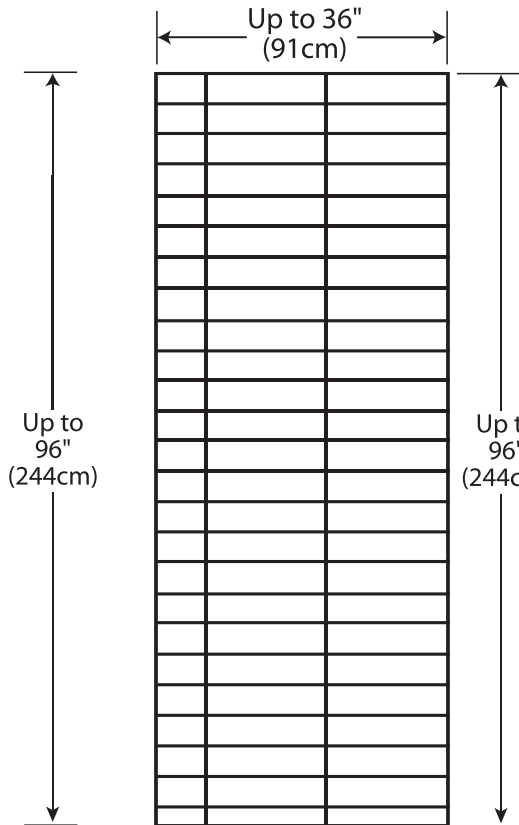
Technical Specifications



Left Wall



Back Wall



Right Wall



Standard Features:

- Individual 'brick' size: 4" x 15" (10cm x 38cm)
- Up to 96" (244cm) Max height
- Back Wall at 60" (152cm) Max width
- Side Walls: Up to 36" (91cm) Max width
- 5/16" (0.8 cm) Nominal thickness
- Gloss finish

Minimum Order Quantities Apply

Optional Accessories:

- 2 1/4" x up to 120" x 3/4" Trim Strips (6cm x 305cm x 2cm)
- Soap Dishes
- Shampoo Shelves
- Foot Rests
- Additional Accessories available upon request (minimum quantities apply).
- Available in LiteCast or ProCast™ - Class A Fire Rated

* Color Charts and additional patterns available upon request.

Our products comply with one or more of the following: IAPMO, ANSI, HUD, NAHB, NHQ

Typical CSI Code: 06 61 13 (Div 06)

Revised: 2018.08.02

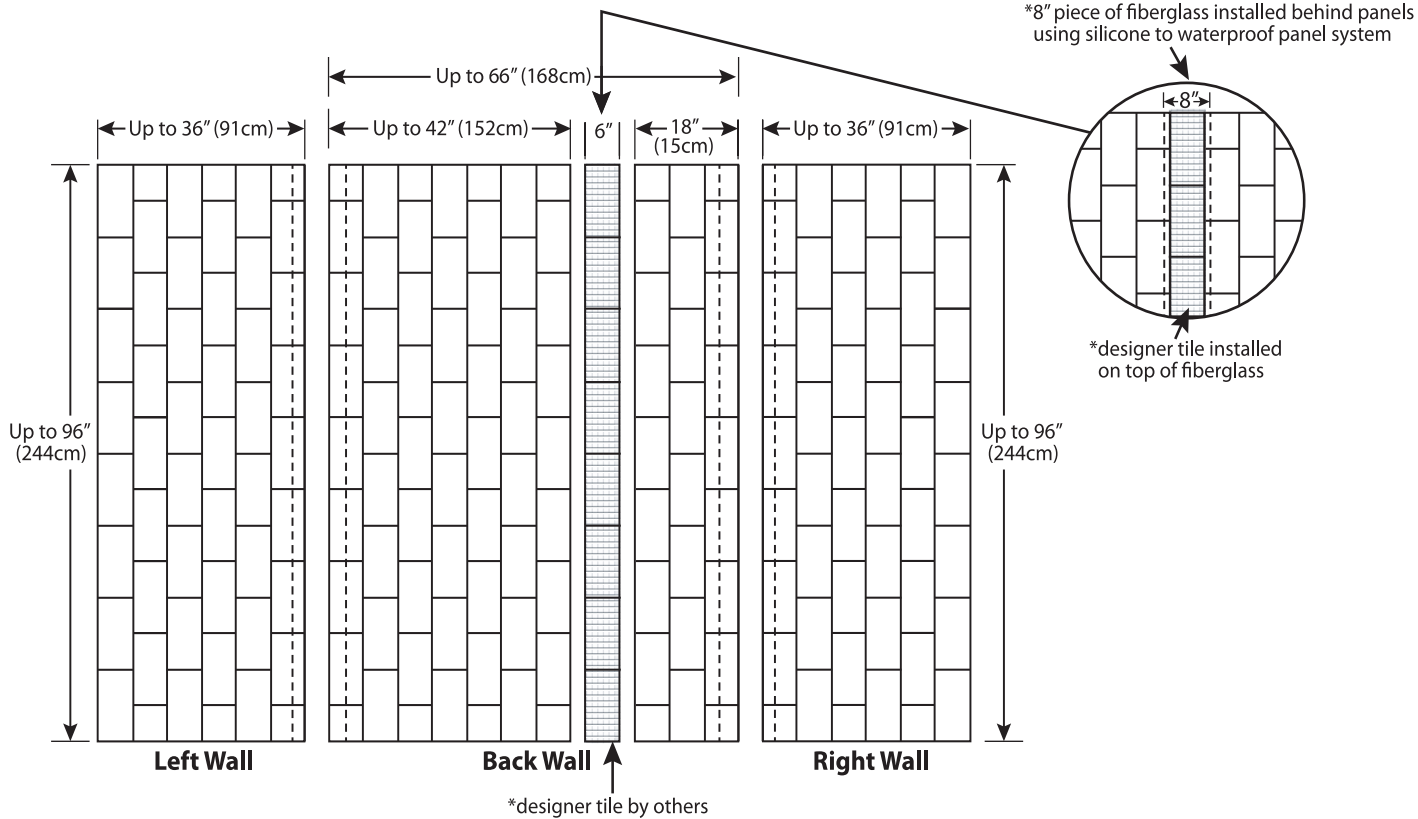
© 2018 Copyright IMI International Marble Industries, Inc.



Cast Marble Solutions for Tubs and Showers

6" x 12" Vertical Contemporary with Vertical Insert

Wall Surrounds
Technical Specifications



Standard Features:

- Individual 'brick' size: 6" x 12"
- Up to 96" (244cm) Max height
- Back Wall: Up to 66" (168cm) (totaling) Max width
- Side Walls: Up to 36" (91cm) Max width
- 5/16" (0.8cm) Nominal thickness
- 1 - fiberglass strip: 8" x 96" x 1/16" (20cm x 244cm x .16cm)
- Gloss Finish

Minimum Order Quantities Apply

Optional Accessories:

- 2" x up to 120" x 3/4" Trim Strips (5cm x 305cm x 2cm)
- Soap Dishes
- Shampoo Shelves
- Foot Rests
- Additional Accessories available upon request (minimum quantities apply).

* Color Charts and additional patterns available upon request.

Our products comply with one or more of the following: IAPMO, ANSI, HUD, NAHB, NHQ

Typical CSI Code: 06 61 13 (Div 06)

Revised: 2018.10.24

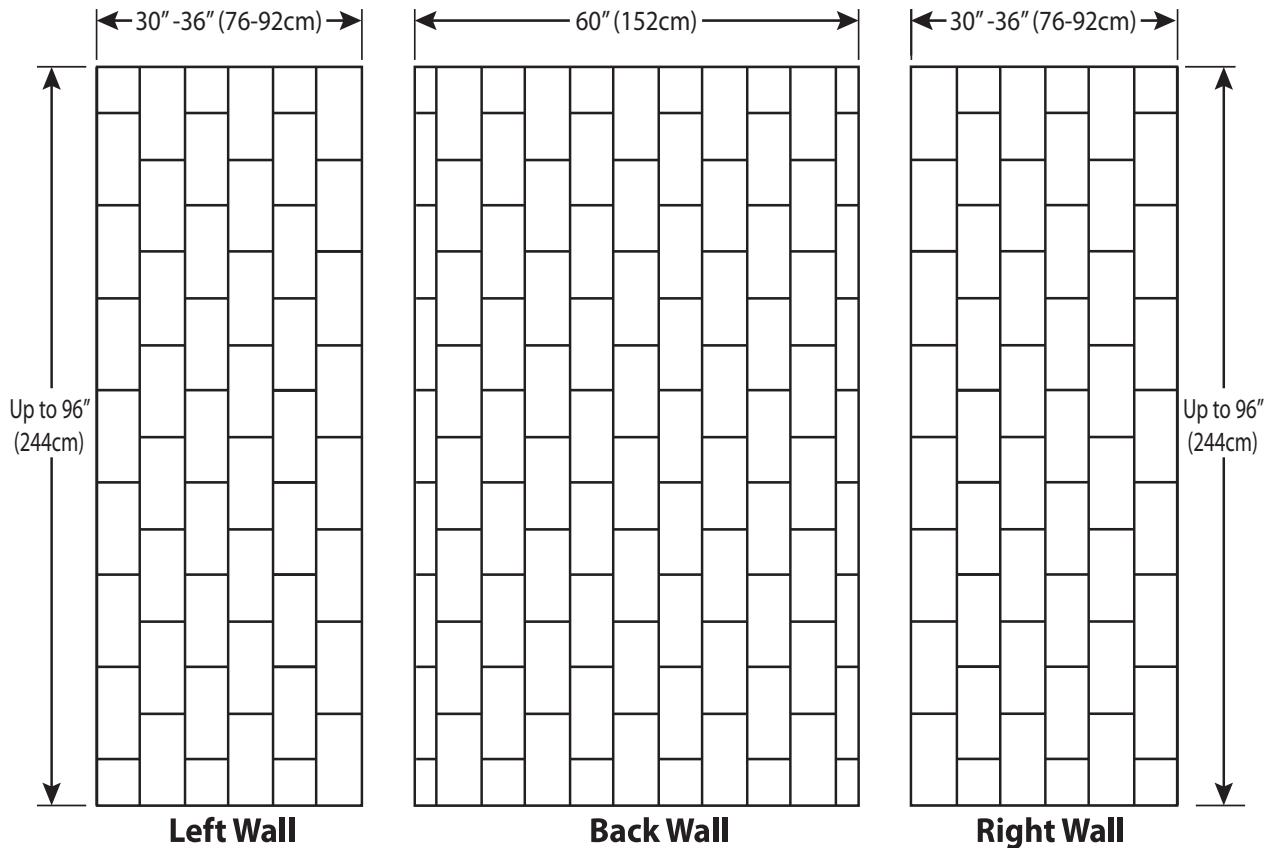
© 2018 Copyright IMI International Marble Industries, Inc.



Cast Marble Solutions for Tubs and Showers

6" x 12" Vertical Contemporary

Wall Surrounds
Technical Specifications



Standard Features:

- Individual 'brick' size: 6" x 12"
- Up to 96" (244cm) Max height
- Back Wall: 60" (152cm) Max width
- Side Walls: 30"-36" (76-91cm) Max width
- 5/16" (0.8cm) Nominal thickness
- Gloss Finish

Minimum Order Quantities Apply

Optional Accessories:

- 2 1/4" x up to 120" x 3/4" Trim Strips (6cm x 305cm x 2cm)
- Soap Dishes
- Shampoo Shelves
- Foot Rests
- Additional Accessories available upon request (minimum quantities apply).

* Color Charts and additional patterns available upon request.

Our products comply with one or more of the following: IAPMO, ANSI, HUD, NAHB, NHQ

Typical CSI Code: 06 61 13 (Div 06)

Revised: 2018.11.29

© 2018 Copyright IMI International Marble Industries, Inc.

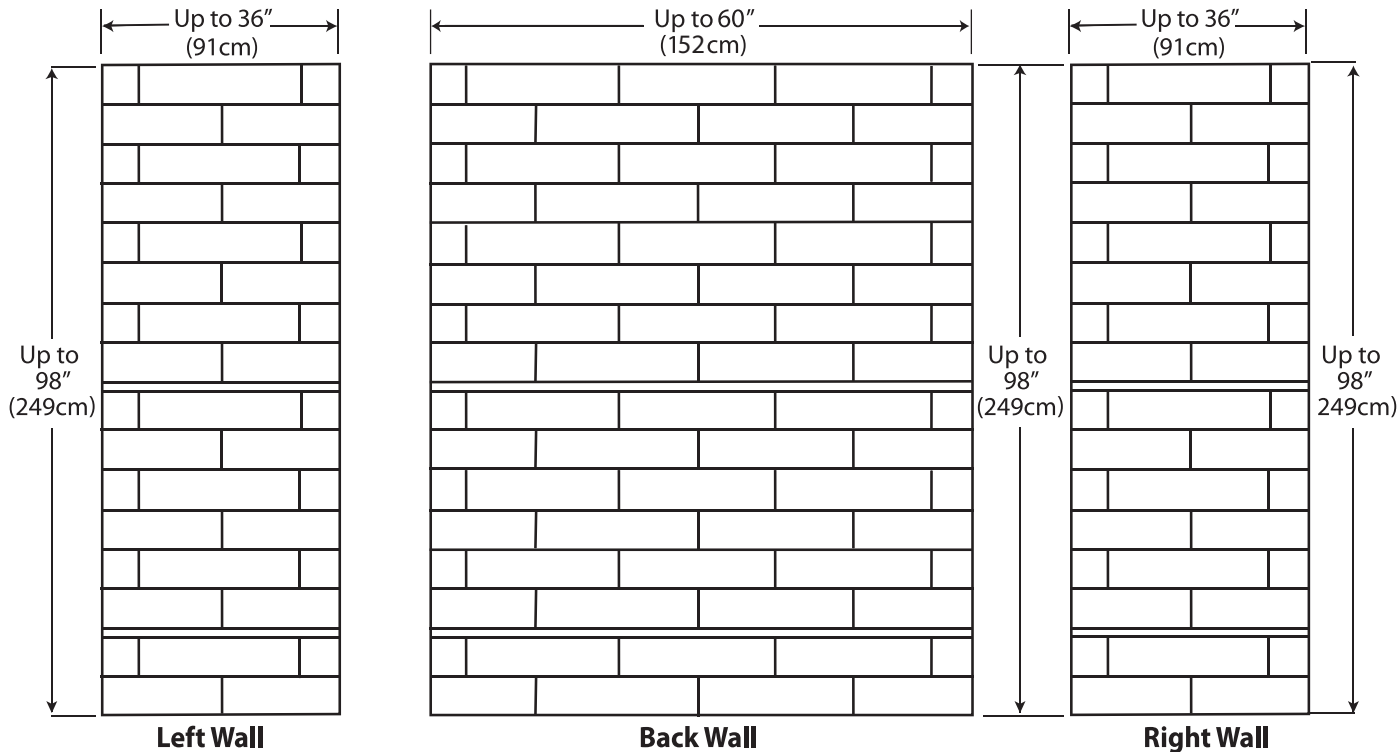


Cast Marble Solutions for Tubs and Showers

6" x 24" Contemporary

WS-CS-HC6x24

Wall Surrounds
Technical Specifications



Standard Features:

- Individual 'tile' size: 6" x 24" (15cm x 61cm)
- Up to 98" (249cm) Max height
- Back wall: Up to 60" (152cm) Max width
- Side Walls: Up to 36" (91cm) Max width
- 5/16" (0.8cm) Nominal thickness
- Gloss finish

Minimum Order Quantities Apply

Optional Accessories:

- 2 1/4" x up to 120" x 3/4" Trim Strips (6cm x 305cm x 2cm)
- Soap Dishes
- Shampoo Shelves
- Foot Rests
- Additional Accessories available upon request (minimum quantities apply).

* Color Charts and additional patterns available upon request.

Our products comply with one or more of the following: IAPMO, ANSI, HUD, NAHB, NHQ

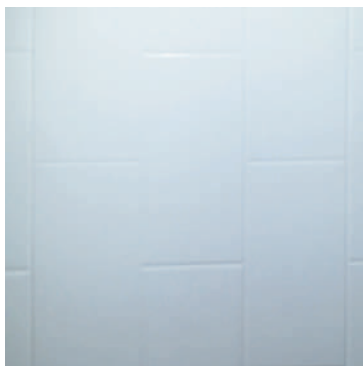
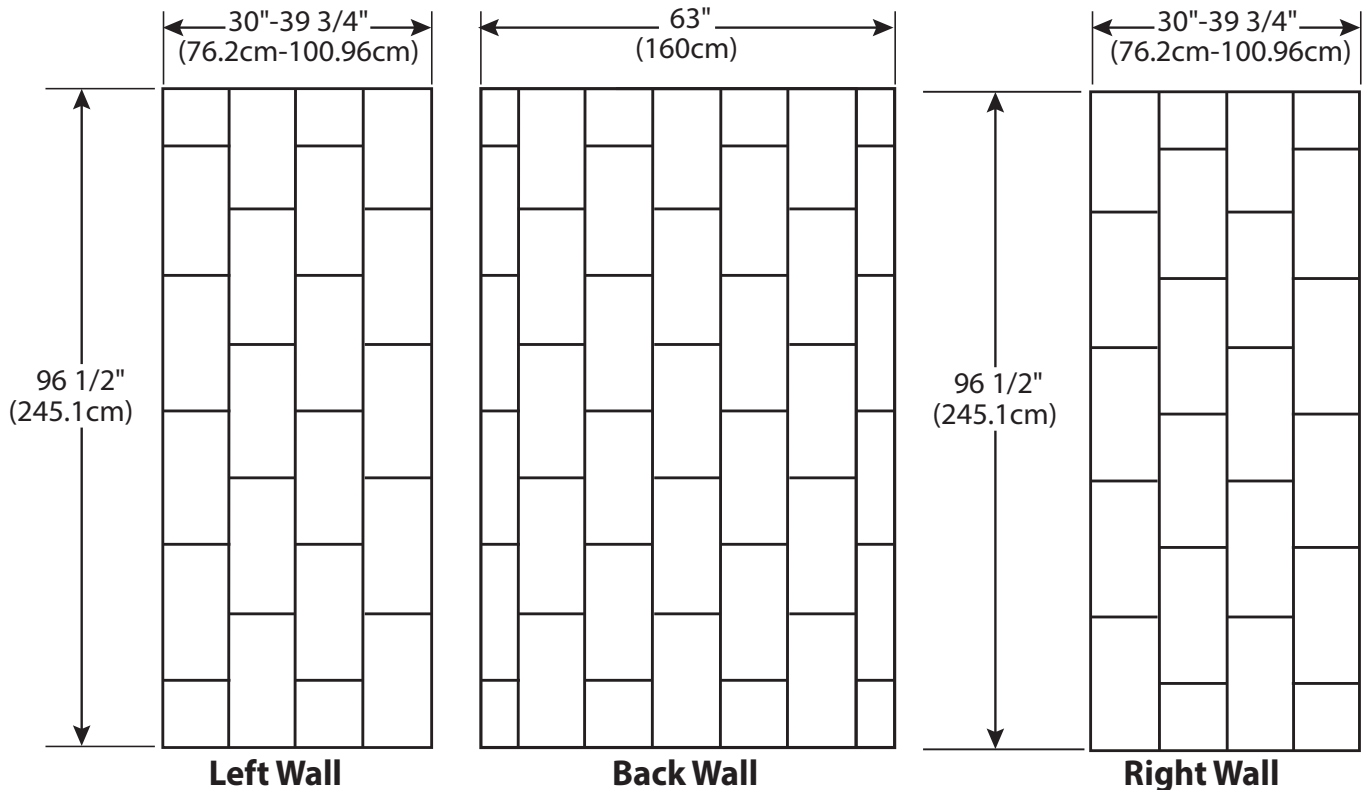
Typical CSI Code: 06 61 13 (Div 06)

Revised: 2018.10.24
© 2018 Copyright IMI International Marble Industries, Inc.



10" x 20" Vertical Contemporary Wall Surround WS-CS-VC 10x20

Technical Specifications



Standard Features:

- Individual 'tile' size: 10" x 20" (25.4cm x 50.8cm)
- 96 1/2" (245.1cm) Max height
- Back Wall: 63" (160cm) Max width
- 2 Side Walls: 30"-39 3/4" (76.2cm-100.96cm) Max width
- 1/4" (0.6cm) Simulated 'sanded grout lines'
- 5/16" (0.8cm) Nominal thickness
- Gloss finish

Optional Accessories:

- 2 1/4" x up to 120" x 3/4" Trim Strips (5.7cm x 304.8cm x 1.91cm)
- Soap Dishes
- Shampoo Shelves
- Foot Rests
- Additional Accessories available upon request (minimum quantities apply).

Minimum Order Quantities Apply

* Color Charts and additional patterns available upon request.

Our products comply with one or more of the following: IAPMO, ANSI, HUD, NAHB, NHQ

Typical CSI Code: 06 61 13 (Div 06)

Revised: 2018.10.24

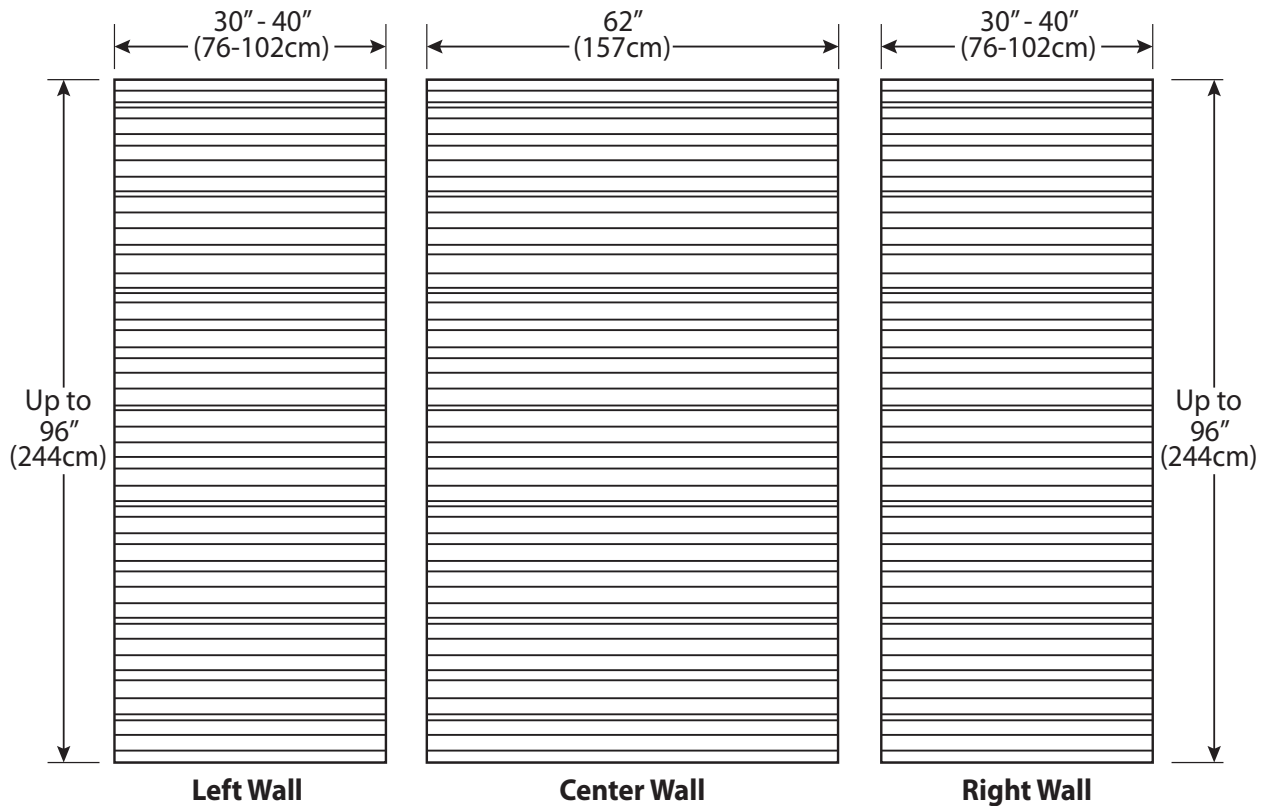
© 2018 Copyright IMI International Marble Industries, Inc.



Cast Marble Solutions for Tubs and Showers

Interval Contemporary

Wall Surrounds
Technical Specifications



Standard Features:

- Up to 96" (244cm) Max height
- Back Wall: 60" (152cm) Max width
- Side Walls: 30"-40" (76-102cm) Max width
- 5/16" (0.8cm) Nominal thickness
- Matte Finish

Minimum Order Quantities Apply

Optional Accessories:

- 2 1/4" x up to 120" x 3/4" Trim Strips (6cm x 305cm x 2cm)
- Soap Dishes
- Shampoo Shelves
- Foot Rests
- Additional Accessories available upon request (minimum quantities apply).

* Color Charts and additional patterns available upon request.

Our products comply with one or more of the following: IAPMO, ANSI, HUD, NAHB, NHQ

Typical CSI Code: 06 61 13 (Div 06)

Revised: 2018.10.22

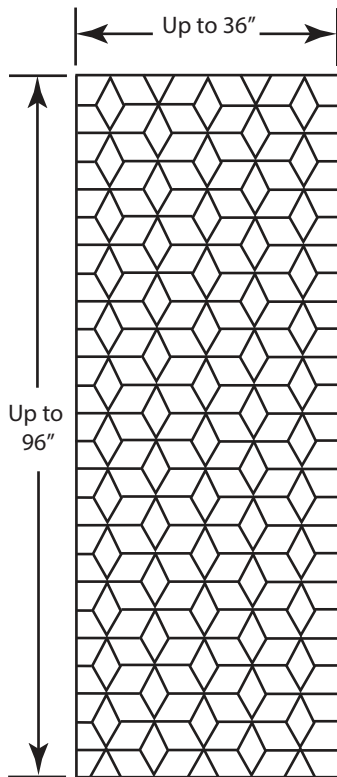
© 2018 Copyright IMI International Marble Industries, Inc.



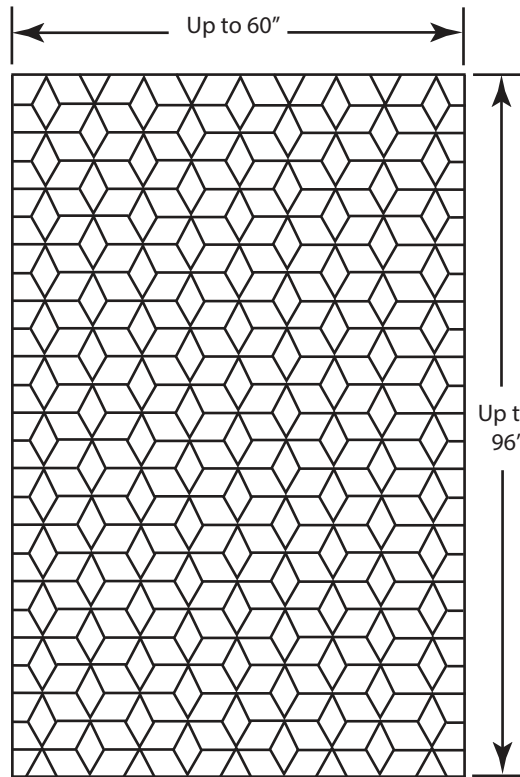
Stars

Wall Surrounds

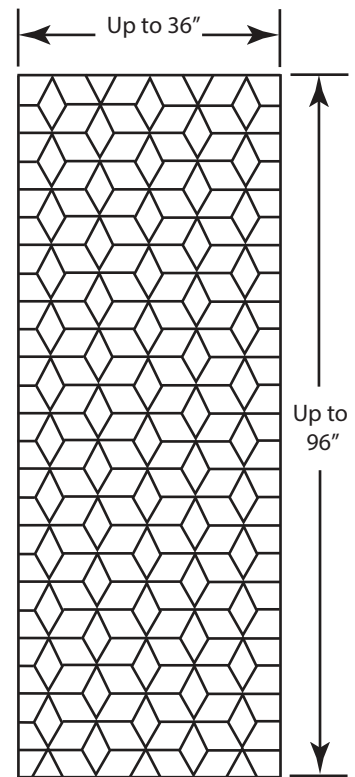
Technical Specifications



Left Wall



Back Wall



Right Wall



Standard Features:

- New Stars Design
- Up to 96" (244 cm) Max.
- Back Wall: 60" (152 cm) Max. Width
- Side Walls: Up to 36" (91 cm) Max. Width
- Thickness: 1/4" Nominal thickness
- Gloss Finish

Optional Accessories:

- 2 x 1 1/4" x up to 96" Trim Strips
- 2 x 3/4" x up to 96" Trim Strips
- Soap Dishes
- Foot Rests
- Accessory Ledge

* Color Charts and additional patterns available upon request.

Our products comply with one or more of the following: IAPMO, ANSI, HUD, NAHB, NHQ

Typical CSI Code: 06 61 13 (Div 06)

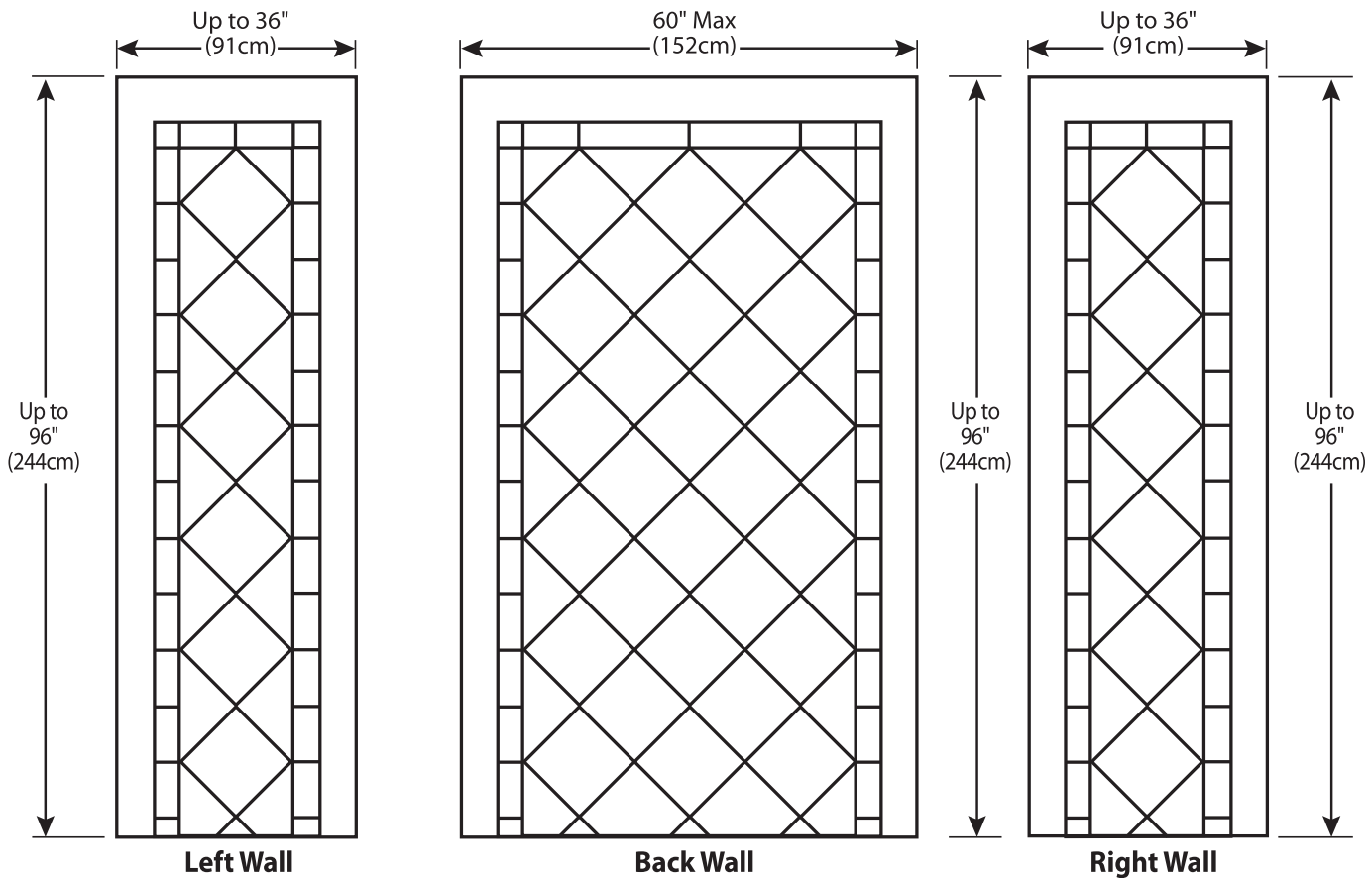
Revised: 2018.10.24

© 2018 Copyright IMI International Marble Industries, Inc.



Diamond

Wall Surrounds
Technical Specifications



Standard Features:

- Up to 96 (244cm) Max height
- Border on 3 sides
- Back Wall: 60" (152cm) Max width
- Side Walls: Up to 36" (91cm) Max width
- 5/16" (0.8cm) Nominal thickness
- Semi-Gloss finish only

Minimum Order Quantities Apply

Optional Accessories:

- 2" x up to 120" x 3/4" Trim Strips (5cm x 305cm x 2cm)
- Soap Dishes
- Shampoo Shelves
- Foot Rests
- Additional Accessories available upon request (minimum quantities apply).

* Color Charts and additional patterns available upon request.

Our products comply with one or more of the following: IAPMO, ANSI, HUD, NAHB, NHQ

Typical CSI Code: 06 61 13 (Div 06)

Revised: 2018.12.20

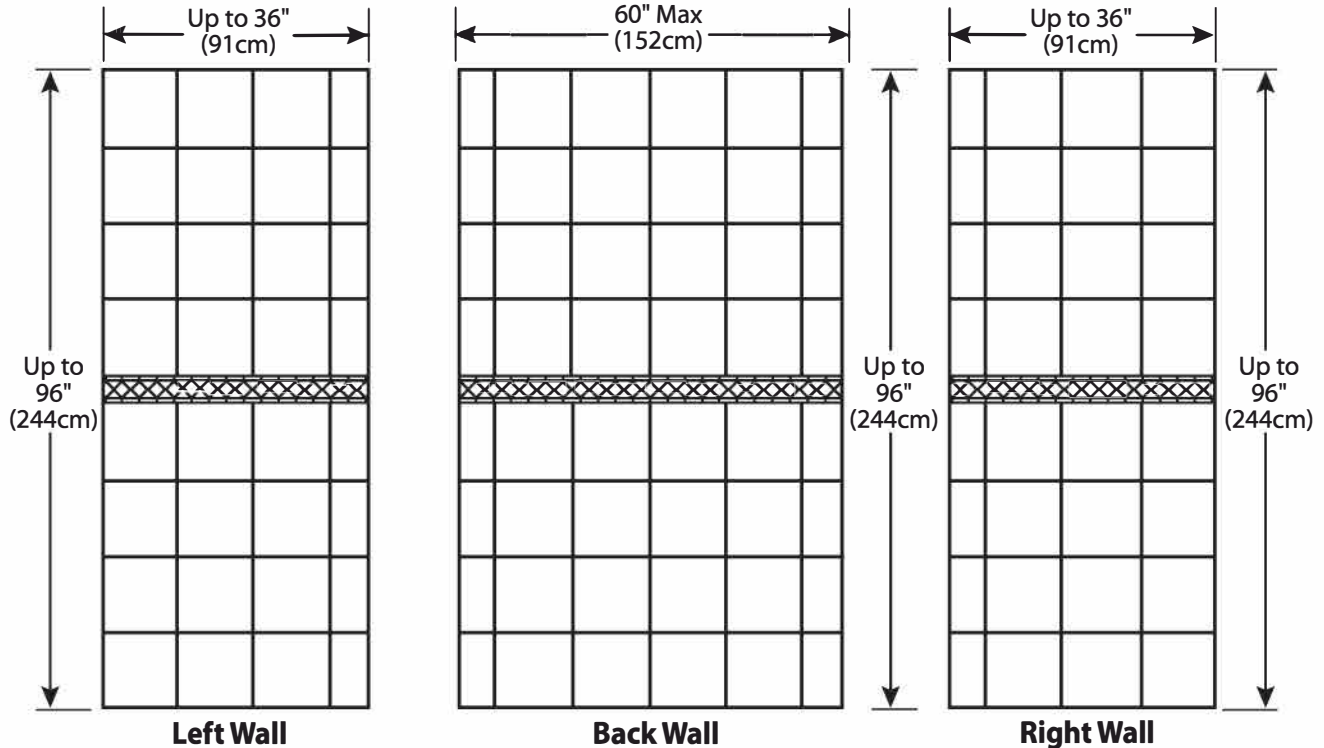
© 2018 Copyright IMI International Marble Industries, Inc.



Cast Marble Solutions for Tubs and Showers

12" x 12" Old World Classic Integral Listello

Wall Surrounds
Technical Specifications



Standard Features:

- Individual 'brick' size: 12" x 12" (30cm x 30cm)
- Up to 96" (244cm) Max height
- Back Wall: 60" (152cm) Max width
- Side Walls: Up to 36" (91cm) Max width
- 4" Integral Listello
- 5/16" (0.8cm) Nominal thickness
- Textured Slate Finish

Minimum Order Quantities Apply

Optional Accessories:

- 2" x up to 120" x 3/4" Trim Strips (5cm x 305cm x 2cm)
- Soap Dishes
- Shampoo Shelves
- Foot Rests
- Additional Accessories available upon request (minimum quantities apply).

* Color Charts and additional patterns available upon request.

Our products comply with one or more of the following: IAPMO, ANSI, HUD, NAHB, NHQ

Typical CSI Code: 06 61 13 (Div 06)

Revised: 2018.12.20

© 2018 Copyright IMI International Marble Industries, Inc.

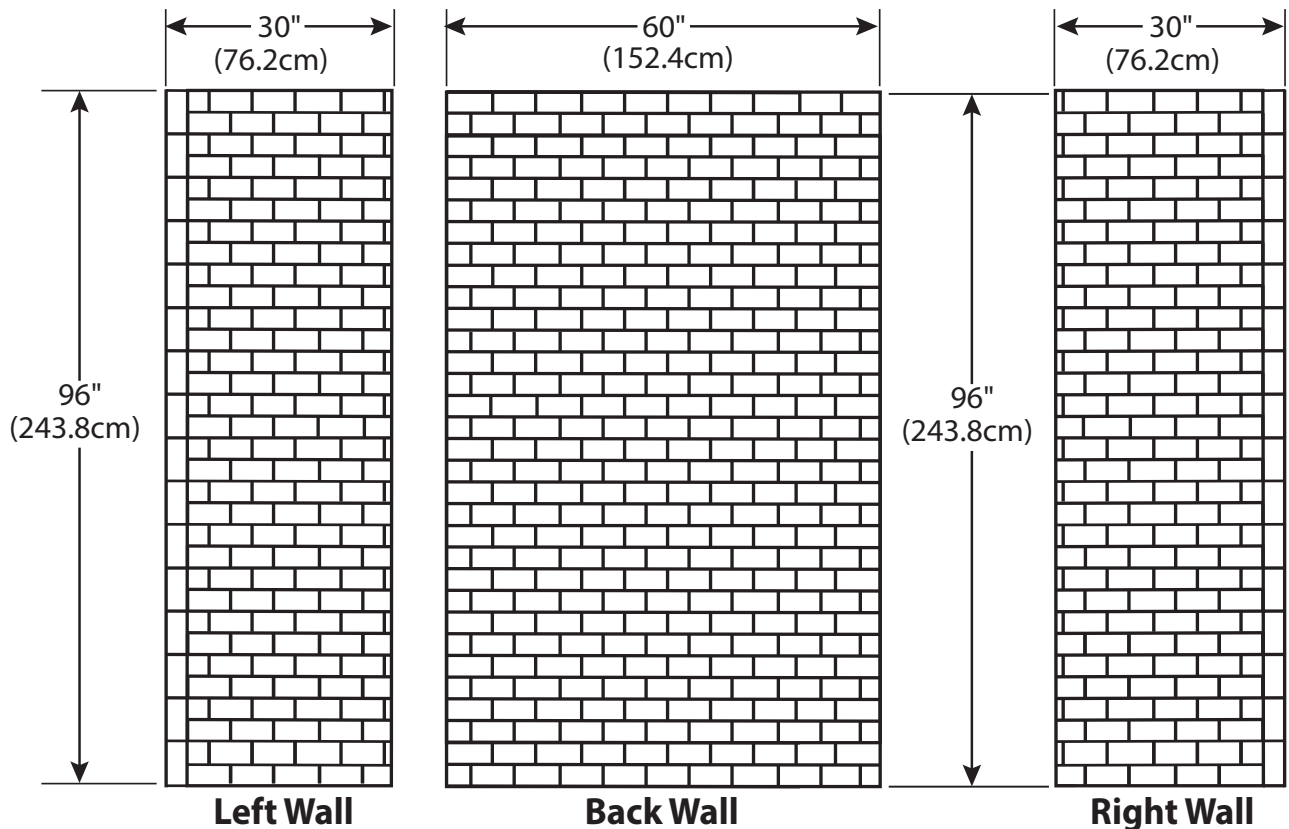
DISCLAIMER: This Technical Specification is for illustration purposes only. Not to scale and is subject to change without notice. Always request a job specific specification for sign off before ordering.



3" x 6" Subway Brick Wall Surround

WS-ST-SU-3X6

Technical Specifications



Standard Features:

- Individual 'tile' size: 3" x 6" (7.6cm x 15.2cm)
- 96" (243.8cm) Max height
- Back Wall: 60" (152.4cm) Max width
- 2 Side Walls: 36" (76.2cm) Max width
- 1/4" (0.6cm) Simulated 'sanded grout lines'
- 5/16" (0.8cm) Nominal thickness
- Solid White Gloss finish

Minimum Order Quantities Apply

Optional Accessories:

- 2 1/4" x up to 120" x 3/4" Trim Strips (5.7cm x 304.8cm x 1.91cm)
- Soap Dishes
- Shampoo Shelves
- Foot Rests
- Additional Accessories available upon request (minimum quantities apply).

*Color Charts and additional patterns available upon request.

Our products comply with one or more of the following: IAPMO, ANSI, HUD, NAHB, NHQ

Typical CSI Code: 06 61 13 (Div 06)

Revised: 2018.10.24

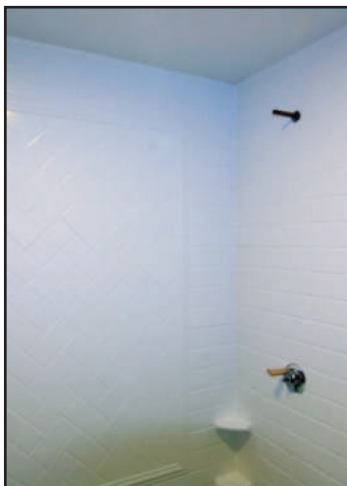
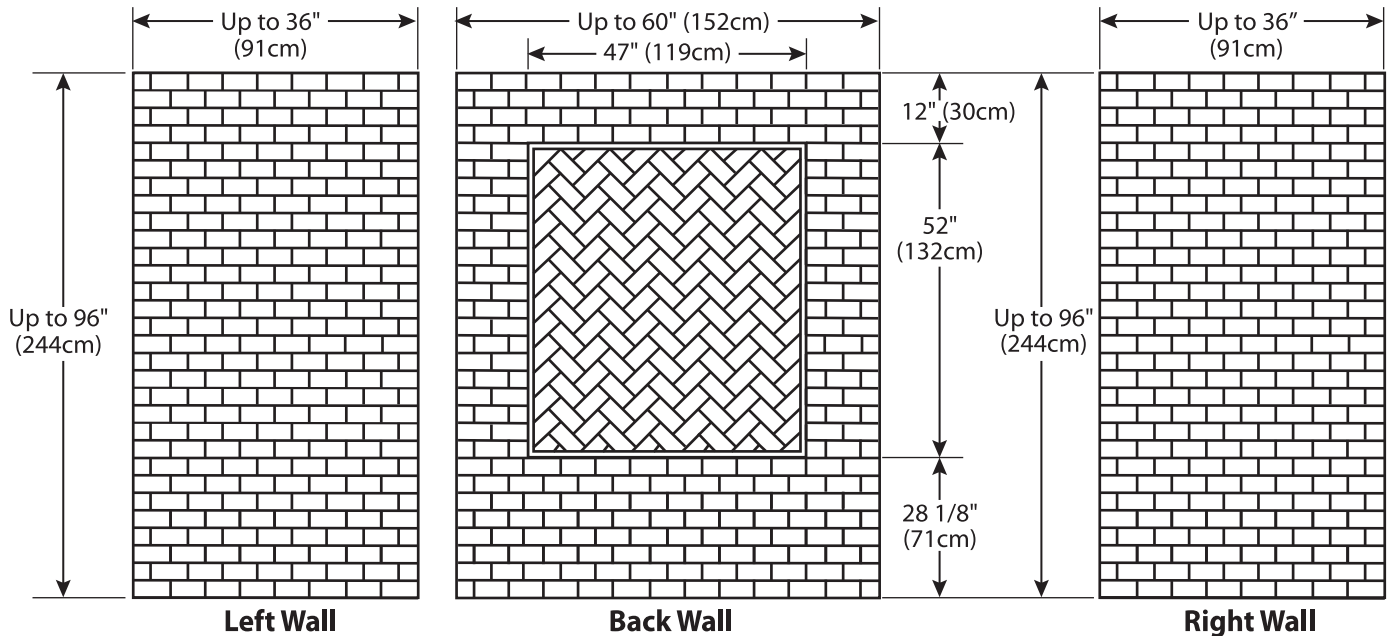
© 2018 Copyright IMI International Marble Industries, Inc.



Cast Marble Solutions for Tubs and Showers

3" x 6" Subway Tile with Herringbone Inlay

Wall Surrounds
Technical Specifications



Standard Features:

- Individual 'tile' size: 3" x 6" (8cm x 15cm)
- Up to 96" (244cm) Max height
- Back Wall: 60" (152cm) Max width
- Side Walls: Up to 36" (91cm) Max width
- 1/4" (0.6cm) Simulated 'sanded grout lines'
- 5/16" (0.8cm) Nominal thickness
- Gloss finish

Minimum Order Quantities Apply

Optional Accessories:

- 2" x up to 120" x 3/4" Trim Strips (5cm x 305cm x 2cm)
- Soap Dishes
- Shampoo Shelves
- Foot Rests
- Additional Accessories available upon request (minimum quantities apply).

* Color Charts and additional patterns available upon request.

Our products comply with one or more of the following: IAPMO, ANSI, HUD, NAHB, NHQ

Typical CSI Code: 06 61 13 (Div 06)

Revised: 2018.10.24

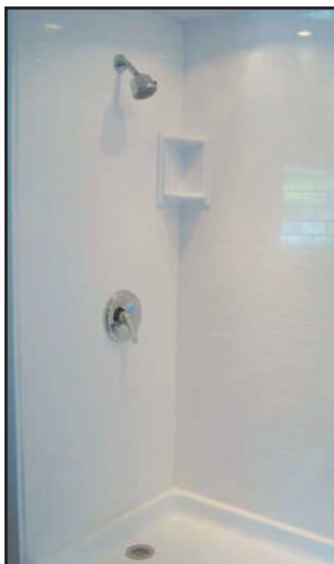
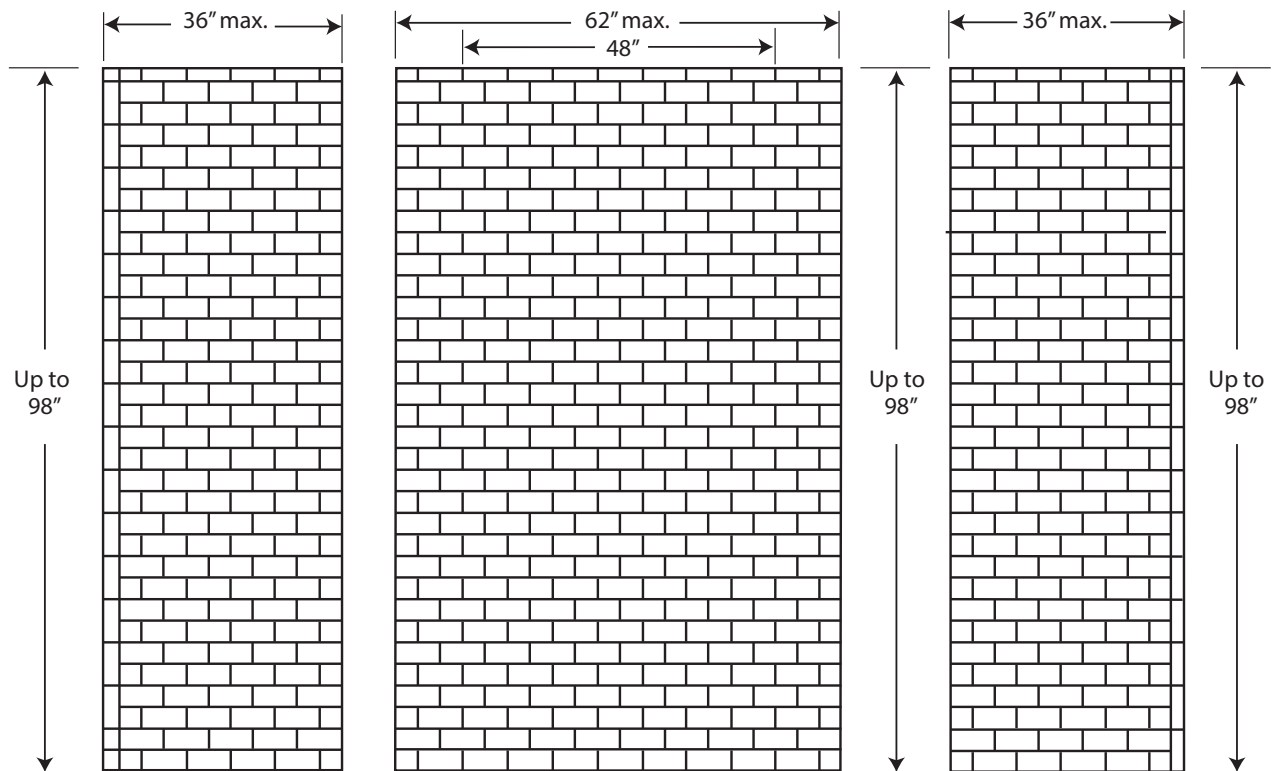
© 2018 Copyright IMI International Marble Industries, Inc.



Cast Marble Solutions for Tubs and Showers

3" x 6" Subway Tile with Integral Bullnose Trim

Wall Surrounds
Technical Specifications



Standard Features:

- Staggered Brick Pattern: 3" x 6"
- 2" Integral Bullnose Trim on top and both sides
- Up to 98" Max height
- Back Wall: 62" Max width
- Side Walls: 36" Max width
- 5/16" (0.8cm) Nominal thickness
- Gloss finish

Minimum Order Quantities Apply

Optional Accessories:

- 2 1/4" x up to 96" x 3/4" Trim Strips
- Soap Dishes
- Shampoo Shelves
- Foot Rests
- Additional Accessories available upon request (minimum quantities apply).

* Color Charts and additional patterns available upon request.

Our products comply with one or more of the following: IAPMO, ANSI, HUD, NAHB, NHQ

Typical CSI Code: 06 61 13 (Div 06)

Revised: 2018.05.09

© 2018 Copyright IMI International Marble Industries, Inc.

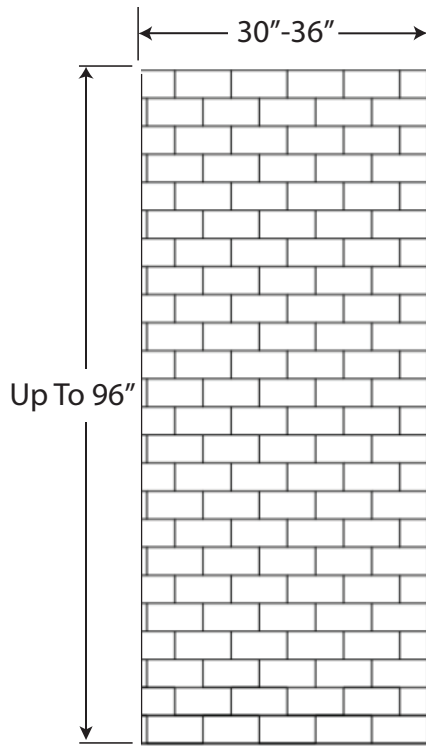


Cast Marble Solutions for Tubs and Showers

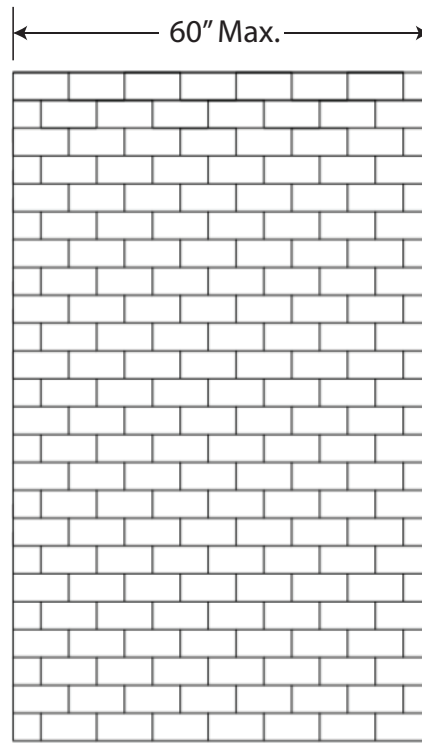
4" x 8" Staggered Tile

WS-CS-ST4X8

Technical Specifications



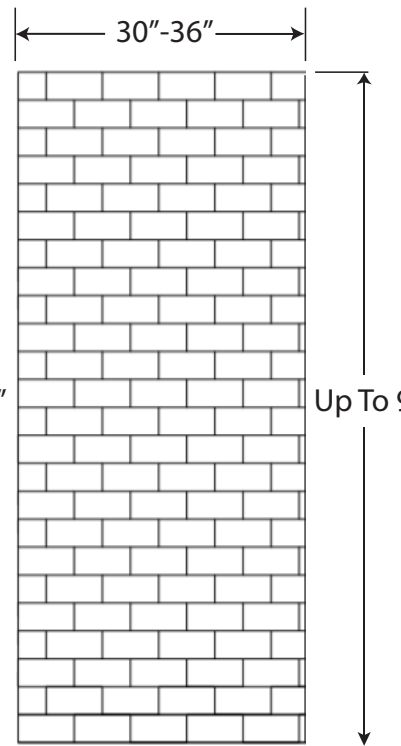
Left Wall



Back Wall

Standard Features:

- Individual 'brick' size: 4" x 8"
- Up to 96" Max height
- Back Wall at 60" Max width
- Side Walls: Up to 36" Max width
- 5/16" Nominal thickness
- Gloss finish



Right Wall

Optional Accessories:

- 2 1/4" x up to 120" x 3/4" Trim Strips
- Soap Dishes
- Shampoo Shelves
- Foot Rests
- Additional Accessories available upon request (minimum quantities apply).
- Available in SolidCast™ or ProCast™ - Class A Fire Rated

* Color Charts and additional patterns available upon request.

Our products comply with one or more of the following: IAPMO, ANSI, HUD, NAHB, NHQ

Typical CSI Code: 06 61 13 (Div 06)

Revised: 2018.04.11

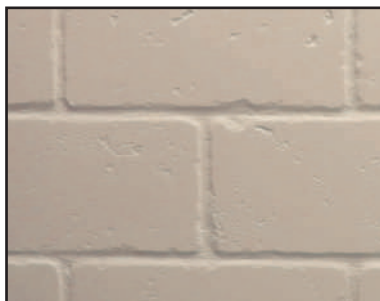
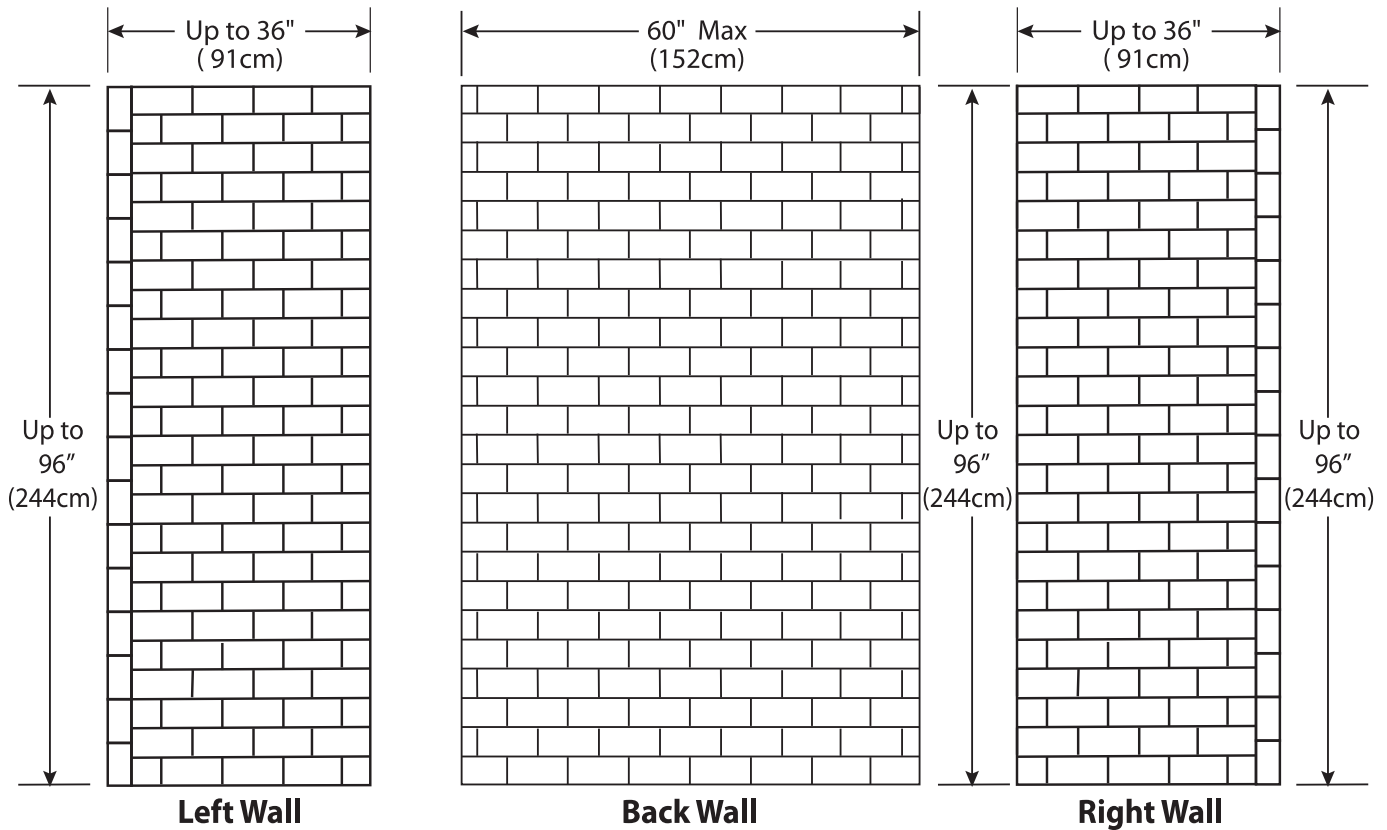
© 2018 Copyright IMI International Marble Industries, Inc.



Cast Marble Solutions for Tubs and Showers

4" x 8" Travertine Tumbled Stone

Tub/Shower Surrounds
Technical Specifications



Standard Features:

- Individual 'brick' size: 4" x 8" (10cm x 20cm)
- Vertical Border 'brick' size: 3" x 6" (8cm x 15cm)
- Up to 96" (244cm) Max height
- Back Wall: 60" (152cm) Max width
- Side Walls: Up to 36" (91cm) Max width
- 5/16" (0.8cm) Nominal thickness
- Matte finish

Optional Accessories:

- 2" x up to 120" x 3/4" Trim Strips (5cm x 305cm x 2cm)
- Soap Dishes
- Shampoo Shelves
- Foot Rests
- Additional Accessories available upon request (minimum quantities apply).

Minimum Order Quantities Apply

* Color Charts and additional patterns available upon request.

Our products comply with one or more of the following: IAPMO, ANSI, HUD, NAHB, NHQ

Typical CSI Code: 06 61 13 (Div 06)

Revised: 2018.10.24

© 2018 Copyright IMI International Marble Industries, Inc.

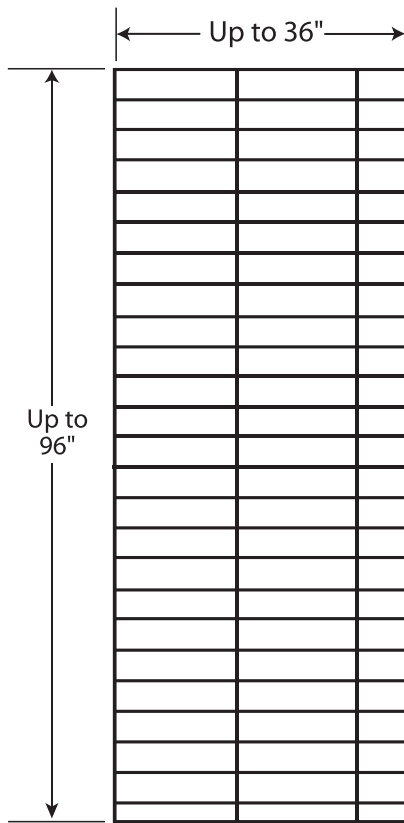


Cast Marble Solutions for Tubs and Showers

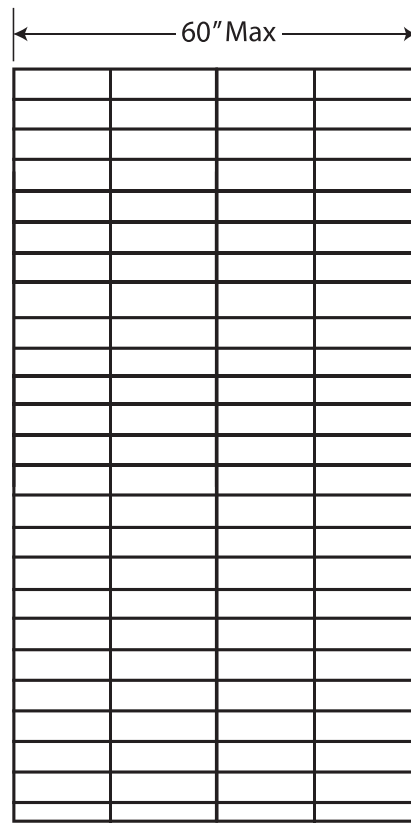
4" x 15" Stacked Tile

WS-CS-ST4X15

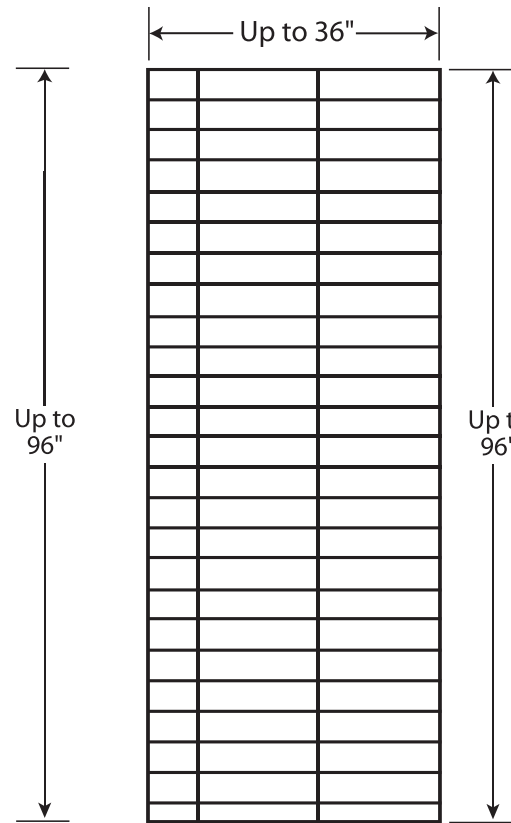
Technical Specifications



Left Wall



Back Wall



Right Wall



Standard Features:

- Individual 'brick' size: 4" x 15"
- Up to 96" Max height
- Back Wall at 60" Max width
- Side Walls: Up to 36" Max width
- 5/16" Nominal thickness
- Gloss finish

Minimum Order Quantities Apply

Optional Accessories:

- 2 1/4" x up to 120" x 3/4" Trim Strips
- Soap Dishes
- Shampoo Shelves
- Foot Rests
- Additional Accessories available upon request (minimum quantities apply).
- Available in LiteCast or ProCast™ - Class A Fire Rated

* Color Charts and additional patterns available upon request.

Our products comply with one or more of the following: IAPMO, ANSI, HUD, NAHB, NHQ

Typical CSI Code: 06 61 13 (Div 06)

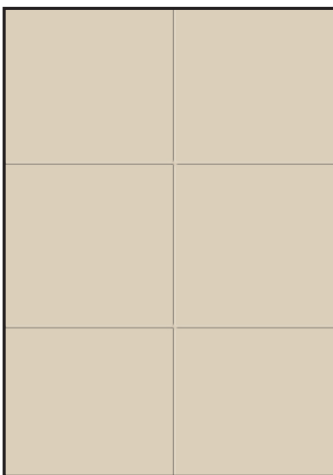
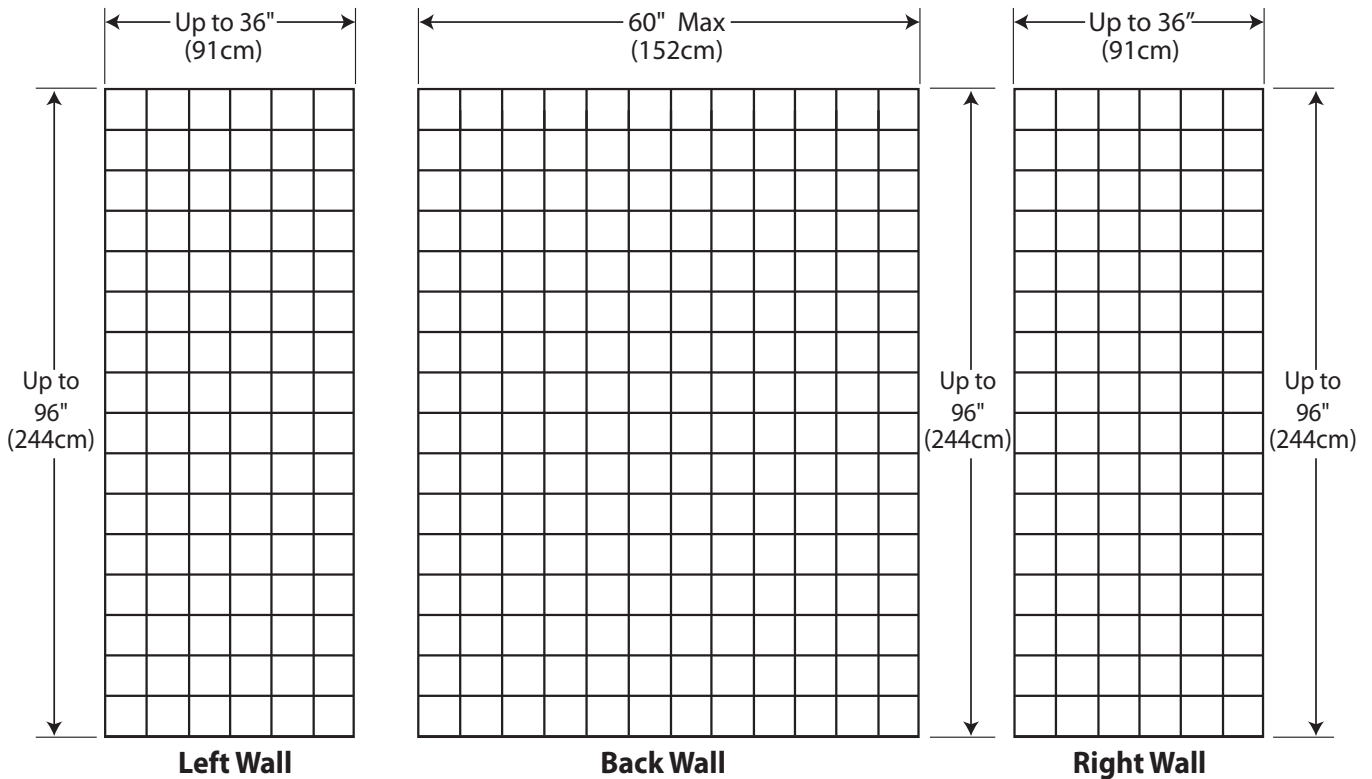
Revised: 2018.08.13

© 2018 Copyright IMI International Marble Industries, Inc.



6" x 6" Simulated Tile

Wall Surrounds
Technical Specifications



Standard Features:

- Individual 'tile' size: 6" x 6" (15cm x 15cm)
- Up to 96" (244cm) Max height
- Back Wall: 60" (152cm) Max width
- Side Walls: Up to 36" (91cm) Max width
- 5/16" (0.8cm) Nominal thickness
- Gloss finish

Minimum Order Quantities Apply

Optional Accessories:

- 2" x up to 120" x 3/4" Trim Strips (5cm x 305cm x 2cm)
- Soap Dishes
- Shampoo Shelves
- Foot Rests
- Additional Accessories available upon request (minimum quantities apply).

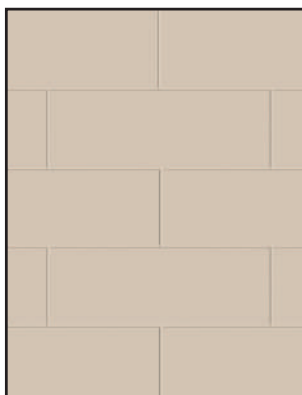
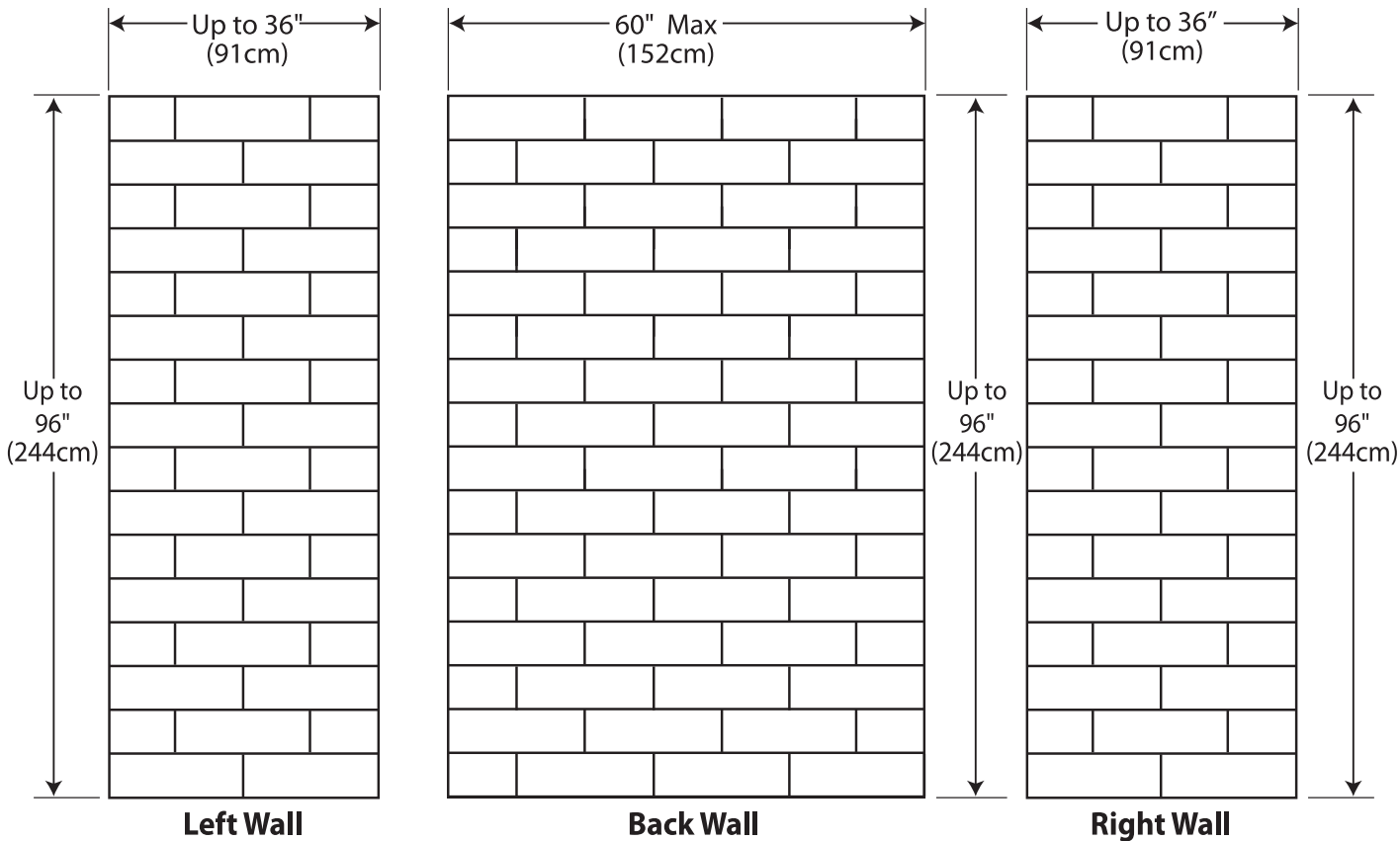
* Color Charts and additional patterns available upon request.

Our products comply with one or more of the following: IAPMO, ANSI, HUD, NAHB, NHQ



6" x 18" Subway Tile

Wall Surrounds
Technical Specifications



Standard Features:

- Individual 'tile' size: 6" x 18" (15cm x 46cm)
- Up to 96" (244cm) Max height
- Back Wall: 60" (152cm) Max width
- Side Walls: Up to 36" (91cm) Max width
- 5/16" (0.8cm) Nominal thickness
- Gloss finish

Optional Accessories:

- 2" x up to 120" x 3/4" Trim Strips (5cm x 305cm x 2cm)
- Soap Dishes
- Shampoo Shelves
- Foot Rests
- Additional Accessories available upon request (minimum quantities apply).

Minimum Order Quantities Apply

* Color Charts and additional patterns available upon request.

Our products comply with one or more of the following: IAPMO, ANSI, HUD, NAHB, NHQ

Typical CSI Code: 06 61 13 (Div 06)

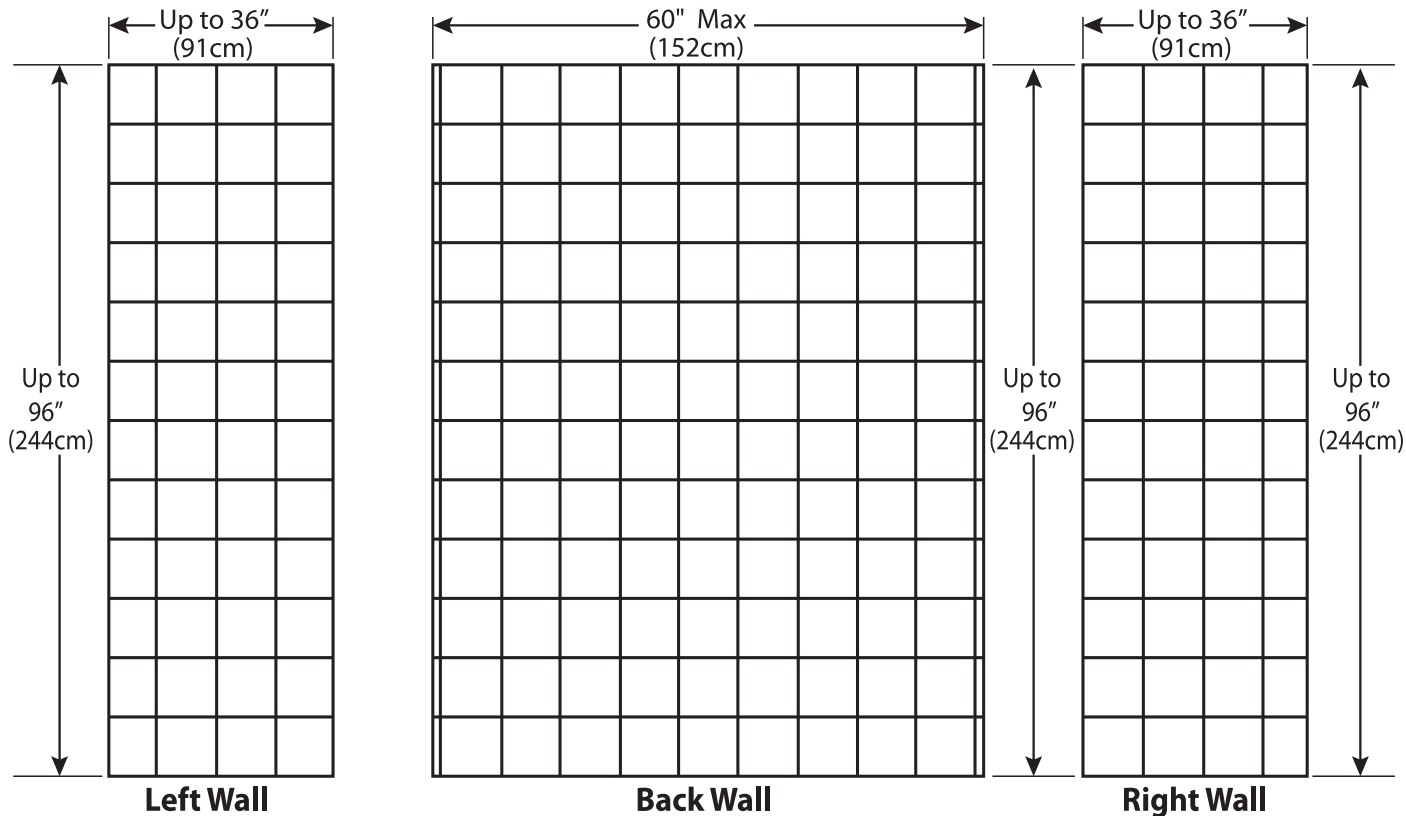
Revised: 2018.10.24

© 2018 Copyright IMI International Marble Industries, Inc.



8" x 8" Simulated Tile

Wall Surrounds
Technical Specifications



Standard Features:

- Individual 'tile' size: 8" x 8" (20cm x 20cm)
- Up to 96" (244cm) Max height
- Back Wall: 60" (152cm) Max width
- Side Walls: Up to 36" (91cm) Max width
- 5/16" (0.8cm) Nominal thickness
- Gloss finish

Minimum Order Quantities Apply

Optional Accessories:

- 2" x up to 120" x 3/4" Trim Strips (5cm x 305cm x 2cm)
- Soap Dishes
- Shampoo Shelves
- Foot Rests
- Additional Accessories available upon request (minimum quantities apply).

* Color Charts and additional patterns available upon request.

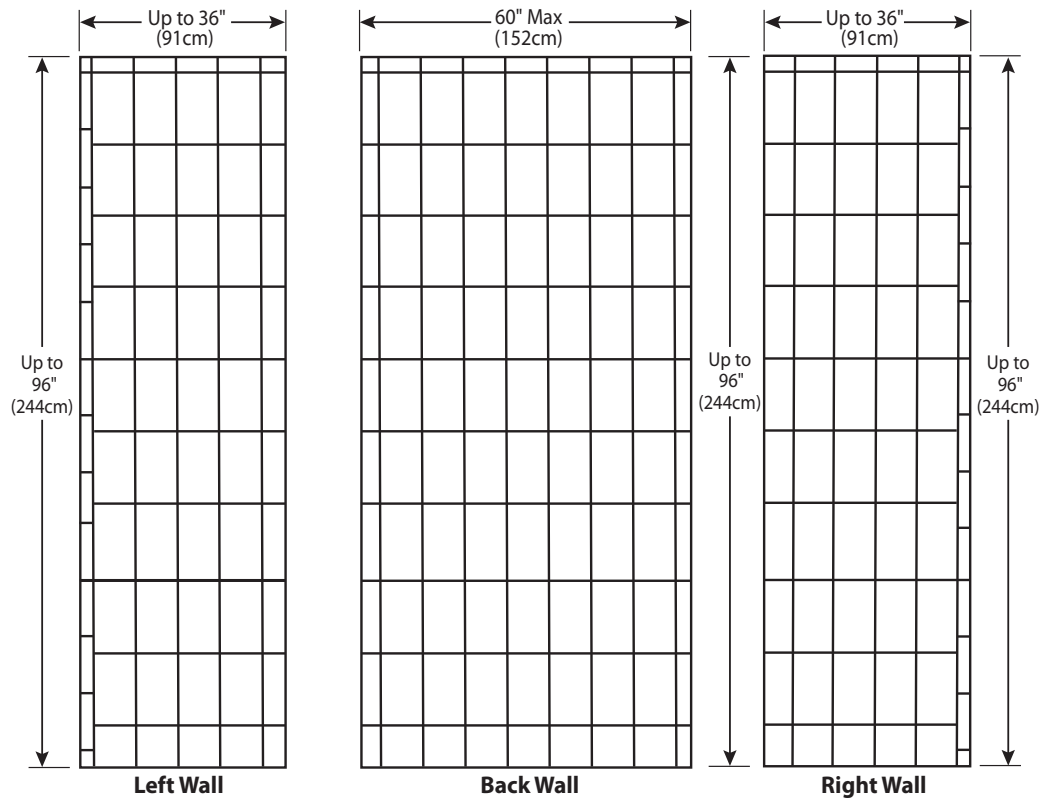
Our products comply with one or more of the following: IAPMO, ANSI, HUD, NAHB, NHQ



Cast Marble Solutions for Tubs and Showers

8" x 10" Simulated Tile w/2" Bullnose

Wall Surrounds
Technical Specifications



Standard Features:

- Individual 'brick' size: 8" x 10" (20cm x 25cm)
- Up to 96" (244cm) Max height
- 2" (5cm) Integral Border
- Back Wall: 60" (152cm) Max width
- Side Walls: Up to 36" (91cm) Max width
- 5/16" (0.8cm) Nominal thickness
- Gloss Finish

Minimum Order Quantities Apply

Optional Accessories:

- 2 1/4" x up to 120" x 3/4" Trim Strips (6cm x 305cm x 2cm)
- Soap Dishes
- Shampoo Shelves
- Foot Rests
- Additional Accessories available upon request (minimum quantities apply).

* Color Charts and additional patterns available upon request.

Our products comply with one or more of the following: IAPMO, ANSI, HUD, NAHB, NHQ

Typical CSI Code: 06 61 13 (Div 06)

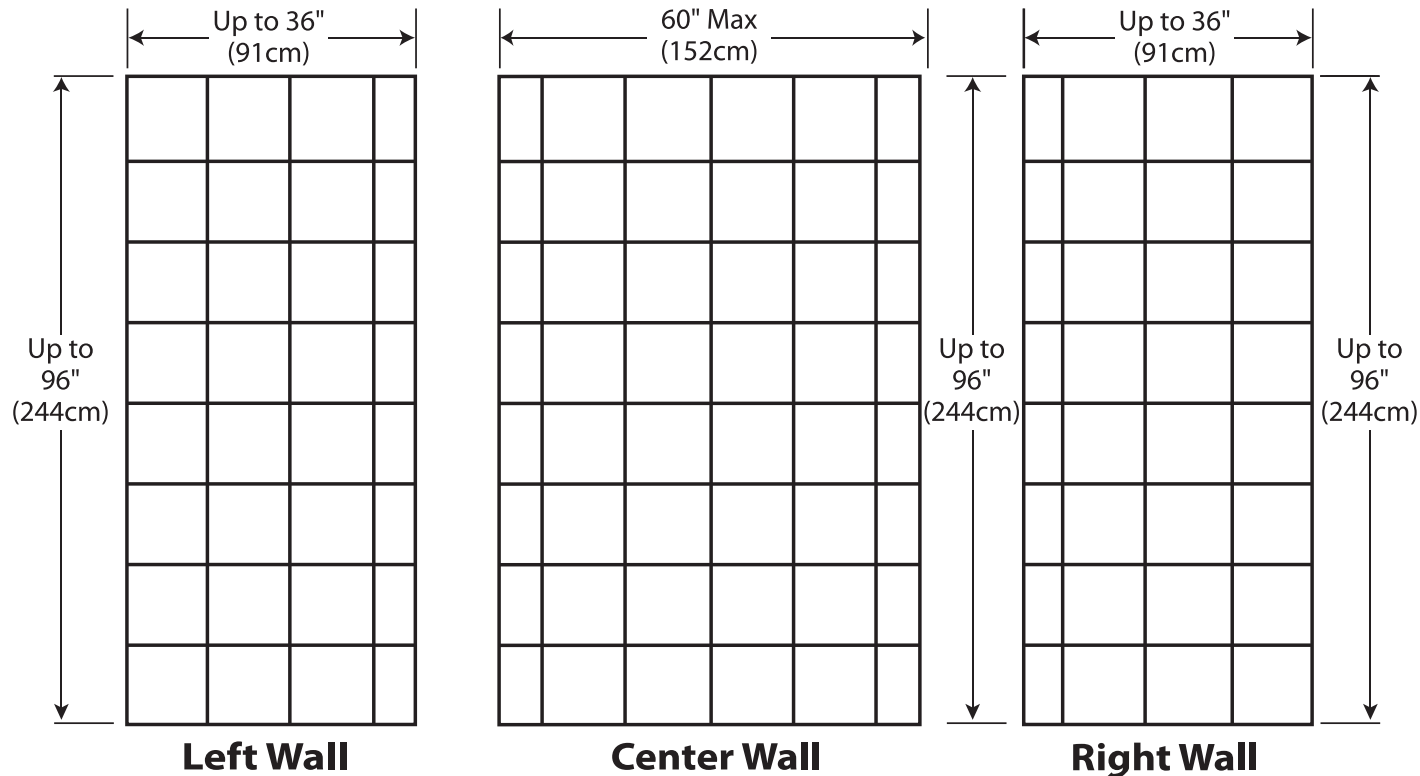
Revised: 2018.10.24
© 2018 Copyright IMI International Marble Industries, Inc.



Cast Marble Solutions for Tubs and Showers

12" x 12" Slate Simulated Tile

Wall Surrounds
Technical Specifications



Standard Features:

- Individual 'tile' size: 12" x 12" (31cm x 31cm)
- Up to 96" (244cm) Max height
- Back Wall: 60" (152cm) Max width
- Side Walls: Up to 36" (91cm) Max width
- 5/16" (0.8cm) Nominal thickness
- Textured finish

Minimum Order Quantities Apply

Optional Accessories:

- 2" x up to 120" x 3/4" Trim Strips (5cm x 305cm x 2cm)
- Soap Dishes
- Shampoo Shelves
- Foot Rests
- Additional Accessories available upon request (minimum quantities apply).

* Color Charts and additional patterns available upon request.

Our products comply with one or more of the following: IAPMO, ANSI, HUD, NAHB, NHQ

Typical CSI Code: 06 61 13 (Div 06)

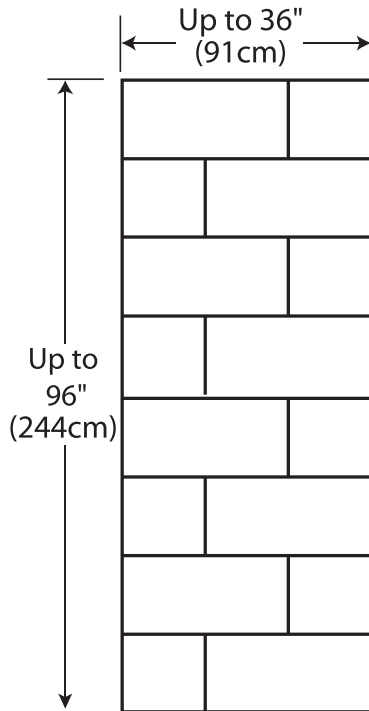
Revised: 2018.10.23

© 2018 Copyright IMI International Marble Industries, Inc.

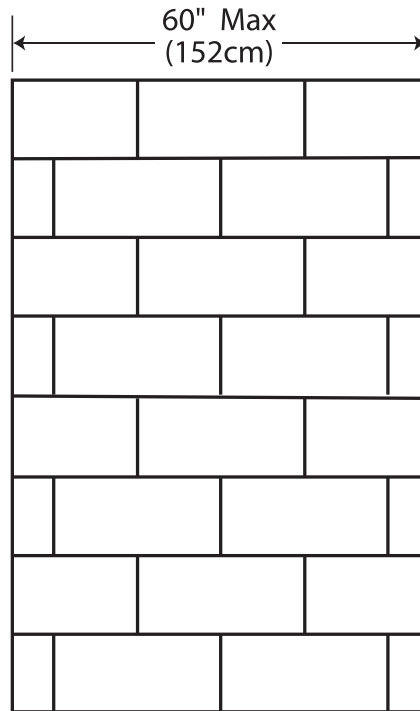


12" x 24" Horizontal Tile

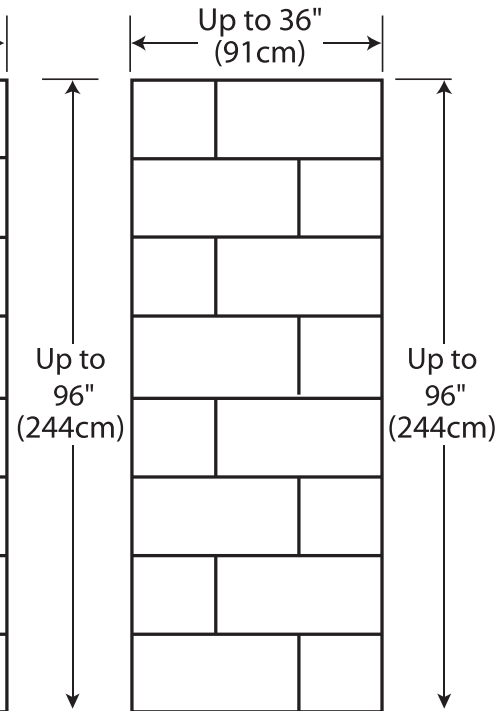
Wall Surrounds
Technical Specifications



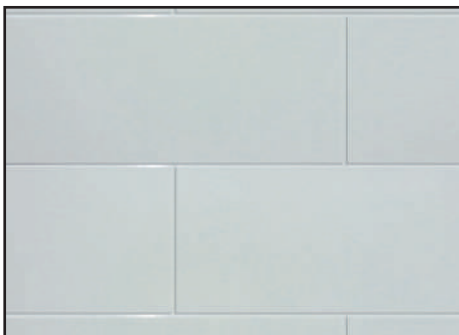
Left Wall



Back Wall



Right Wall



Standard Features:

- Individual 'brick' size: 12" x 24" (30cm x 61cm)
- Up to 96" (244cm) Max height
- Back Wall: 60" (152cm) Max width
- Side Walls: Up to 36" (91cm) Max width
- 5/16" (0.8cm) Nominal thickness
- Gloss Finish

Minimum Order Quantities Apply

Optional Accessories:

- 2" x up to 120" x 3/4" Trim Strips (5cm x 305cm x 2cm)
- Soap Dishes
- Shampoo Shelves
- Foot Rests
- Additional Accessories available upon request (minimum quantities apply).

* Color Charts and additional patterns available upon request.

Our products comply with one or more of the following: IAPMO, ANSI, HUD, NAHB, NHQ

Typical CSI Code: 06 61 13 (Div 06)

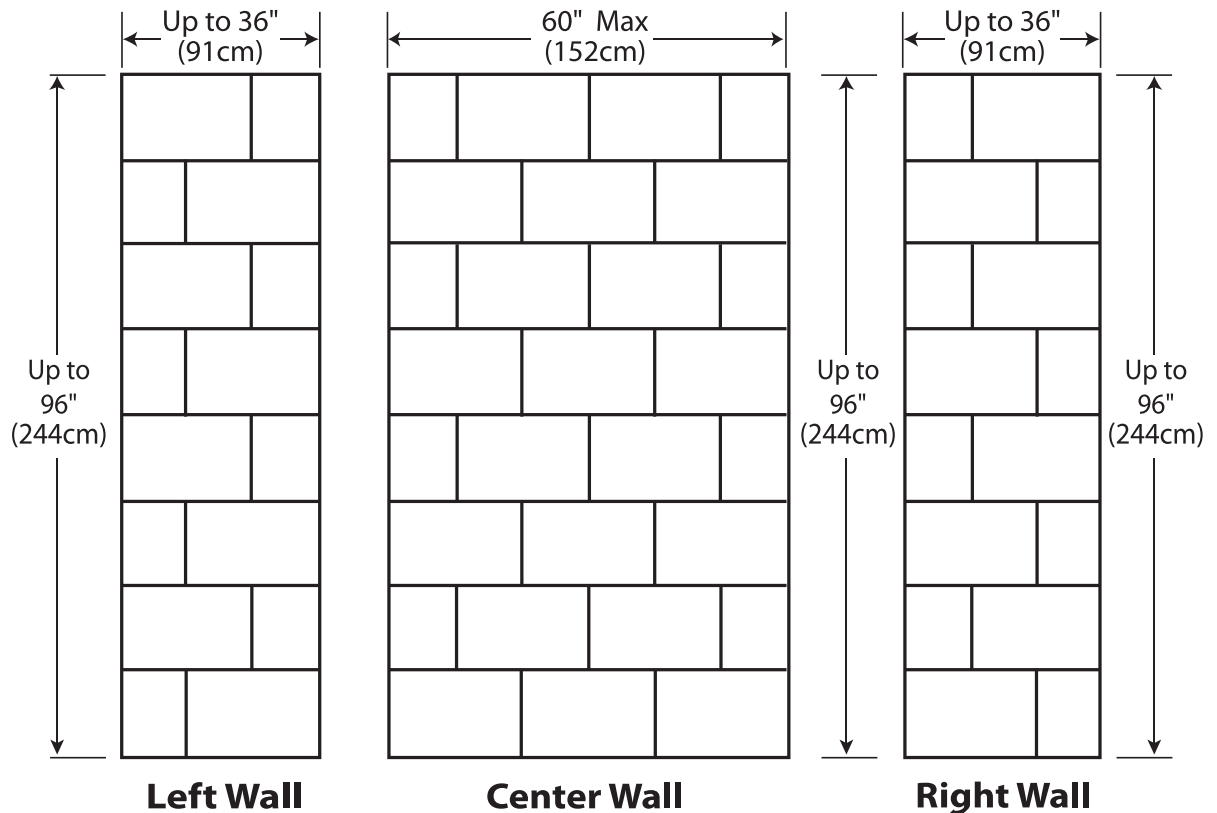
Revised: 2019.03.21

© 2019 Copyright IMI International Marble Industries, Inc.



13" x 20" Staggered Stone

Wall Surrounds
Technical Specifications



Standard Features:

- Individual 'brick' size: 13" x 20" (33cm x 51cm)
- Up to 96" (244cm) Max height
- Back Wall: 60" (152cm) Max width
- Side Walls: Up to 36" (91cm) Max width
- Tile Lightly Textured with Chiseled Edges
- 5/16" (0.8cm) Nominal thickness
- Matte Finish

Optional Accessories:

- 2" x up to 120" x 3/4" Trim Strips (5cm x 305cm x 2cm)
- Soap Dishes
- Shampoo Shelves
- Foot Rests
- Additional Accessories available upon request (minimum quantities apply).

Minimum Order Quantities Apply

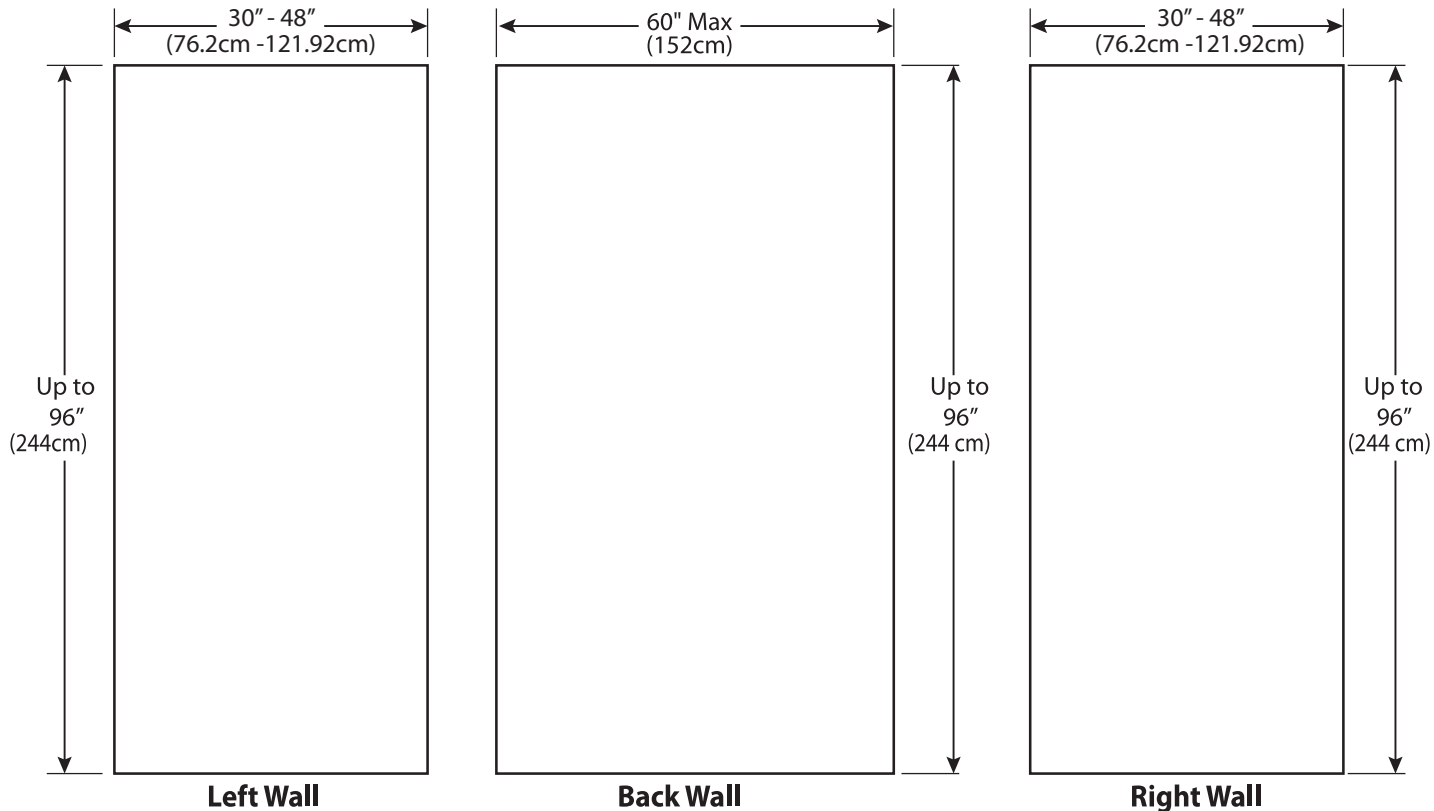
* Color Charts and additional patterns available upon request.

Our products comply with one or more of the following: IAPMO, ANSI, HUD, NAHB, NHQ



Traditional

Wall Surrounds
Technical Specifications



Standard Features:

- Up to 96" (244cm) Max height
- 1 Back Wall: 60" (152cm) Max width
- 2 Side Walls: Up to 30" - 48" (76.2cm - 121.91cm) Max wide
- 5/16" (0.8cm) Nominal thickness
- Gloss finish & Matte finish

Minimum Order Quantities Apply

Optional Accessories:

- 2 1/4" x up to 120" x 3/4" Trim Strips (6cm x 305cm x 2cm)
- Soap Dishes
- Shampoo Shelves
- Foot Rests
- Additional Accessories available upon request (minimum quantities apply).

* Color Charts and additional patterns available upon request.

Our products comply with one or more of the following: IAPMO, ANSI, HUD, NAHB, NHQ

Typical CSI Code: 06 61 13 (Div 06)

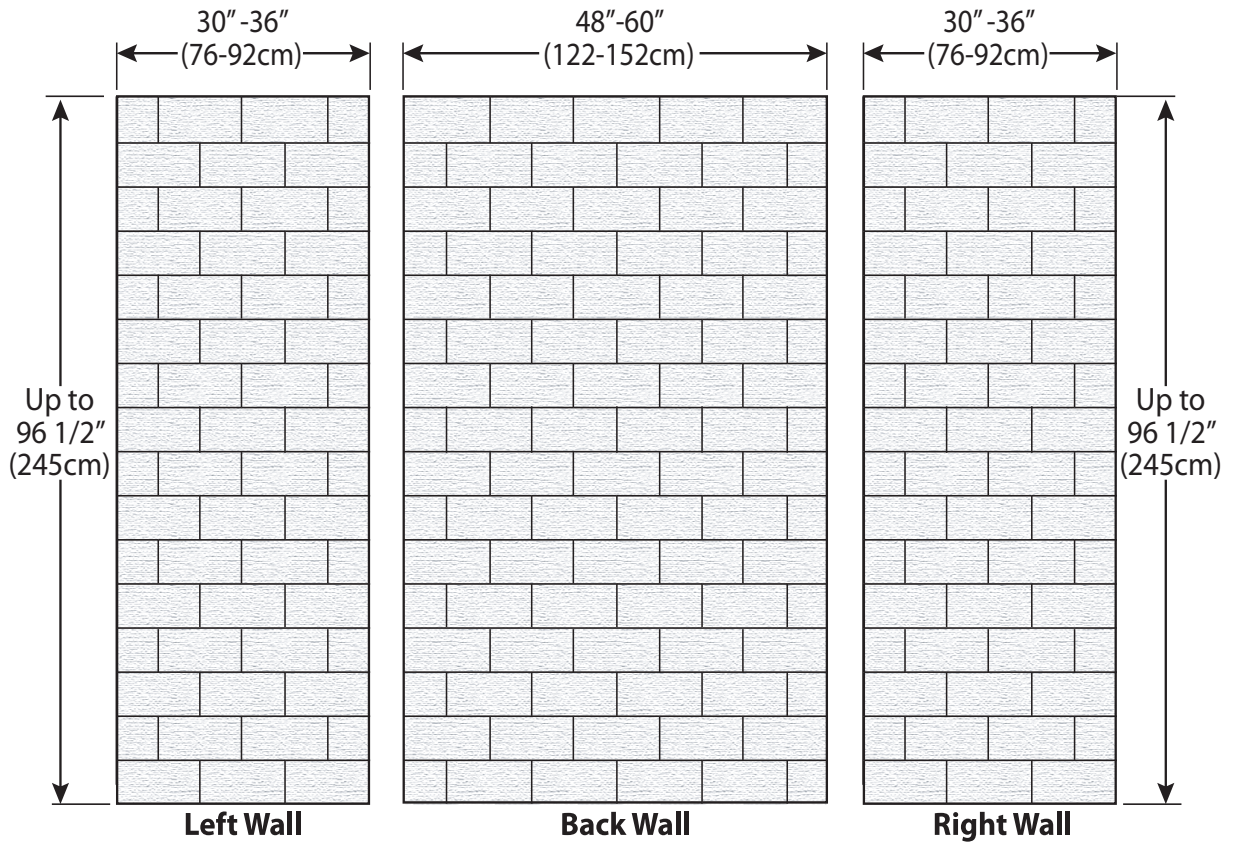
Revised: 2018.10.24
© 2018 Copyright IMI International Marble Industries, Inc.



Cast Marble Solutions for Tubs and Showers

6" x 12" Textured Vision Pattern Wall Surrounds

Technical Specifications



Standard Features:

- Individual 'brick' size: 6" x 12"
- Up to 96 1/2" (245cm) Max height
- Back Wall: 48"- 60" (122-152cm) Max width
- Side Walls: 30"-36" (76-91cm) Max width
- 5/16" (0.8cm) Nominal thickness
- Matte Finish

Minimum Order Quantities Apply

Optional Accessories:

- 2 1/4" x up to 120" x 3/4" Trim Strips (6cm x 305cm x 2cm)
- Soap Dishes
- Shampoo Shelves
- Foot Rests
- Additional Accessories available upon request (minimum quantities apply).

* Color Charts and additional patterns available upon request.

Our products comply with one or more of the following: IAPMO, ANSI, HUD, NAHB, NHQ

Typical CSI Code: 06 61 13 (Div 06)

Revised: 2018.12.17

© 2018 Copyright IMI International Marble Industries, Inc.



6x24 Linear Listello Wall Surround

WS-TX-LL6x24
Technical Specifications

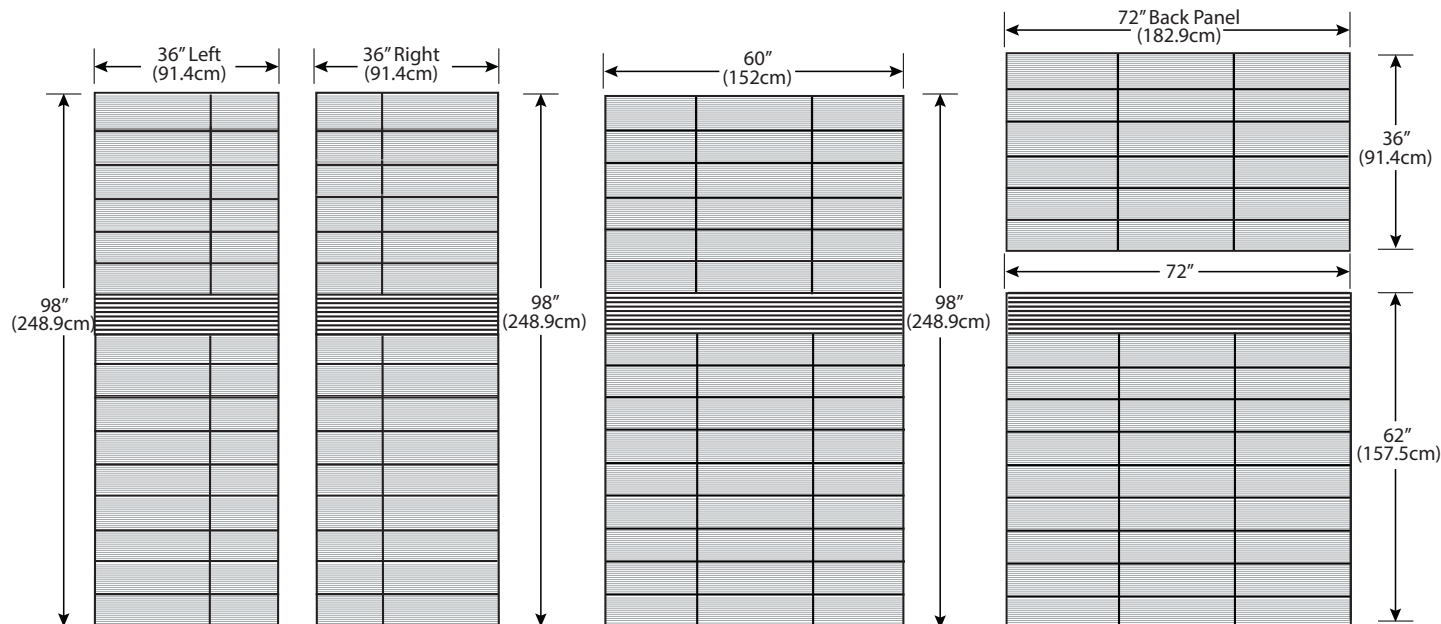


Specifications:

- All panels are made oversized and must be measured and cut to fit on site.
- Uses include, but are not limited to tub & shower surrounds.
- Accessory and color options are available
- 8" Integral Linear listello

Panel Sizes:

Width	Height	Thickness
36"	Up to 98"	5/16" (0.8cm) Nominal thickness
60"	Up to 98"	5/16" (0.8cm) Nominal thickness
72"	Up to 36"	5/16" (0.8cm) Nominal thickness
72"	Up to 62"	5/16" (0.8cm) Nominal thickness



Please note that a split back wall of 72" requires split side walls of 36".

* Color Charts and additional patterns available upon request.

Our products comply with one or more of the following: IAPMO, ANSI, HUD, NAHB, NHQ

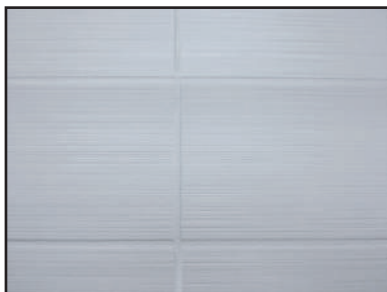
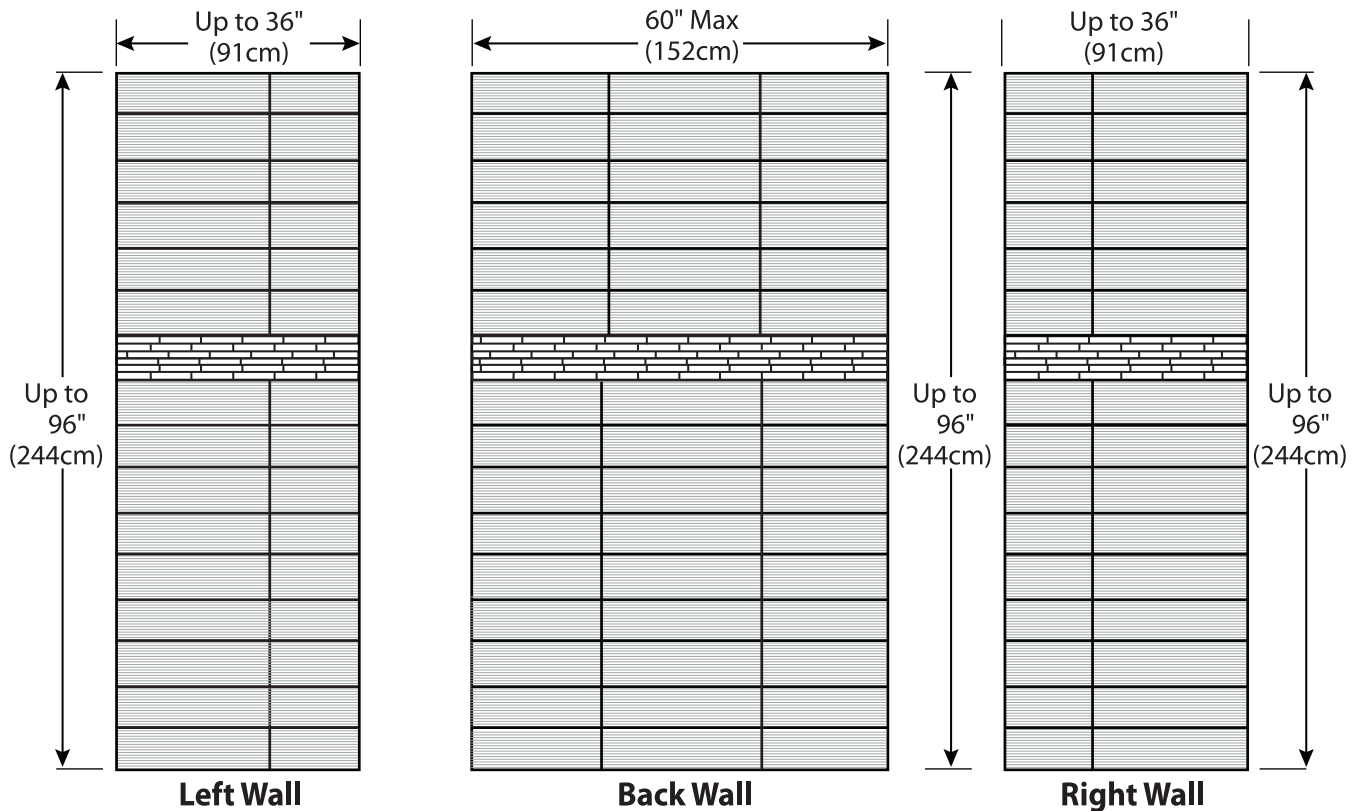
Typical CSI Code: 06 61 13 (Div 06)

Revised: 2018.12.10
© 2018 Copyright IMI International Marble Industries, Inc.



6" x 24" Textured Stacked Listello

Wall Surrounds
Technical Specifications



Standard Features:

- Individual 'brick' size: 6" x 24" (15cm x 61cm)
- 6" (15cm) Integral Dimensions Listello
- Up to 96" (244cm) Max height
- Back Wall: 60" (152cm) Max width
- Side Walls: Up to 36" (91cm) Max width
- Textured Surface
- 5/16" (0.8cm) Nominal thickness
- Matte Finish

Optional Accessories:

- 2 1/4" x up to 120" x 3/4" Trim Strips (6cm x 305cm x 2cm)
- Soap Dishes
- Shampoo Shelves
- Foot Rests
- Additional Accessories available upon request (minimum quantities apply).

Minimum Order Quantities Apply

* Color Charts and additional patterns available upon request.

Our products comply with one or more of the following: IAPMO, ANSI, HUD, NAHB, NHQ

Typical CSI Code: 06 61 13 (Div 06)

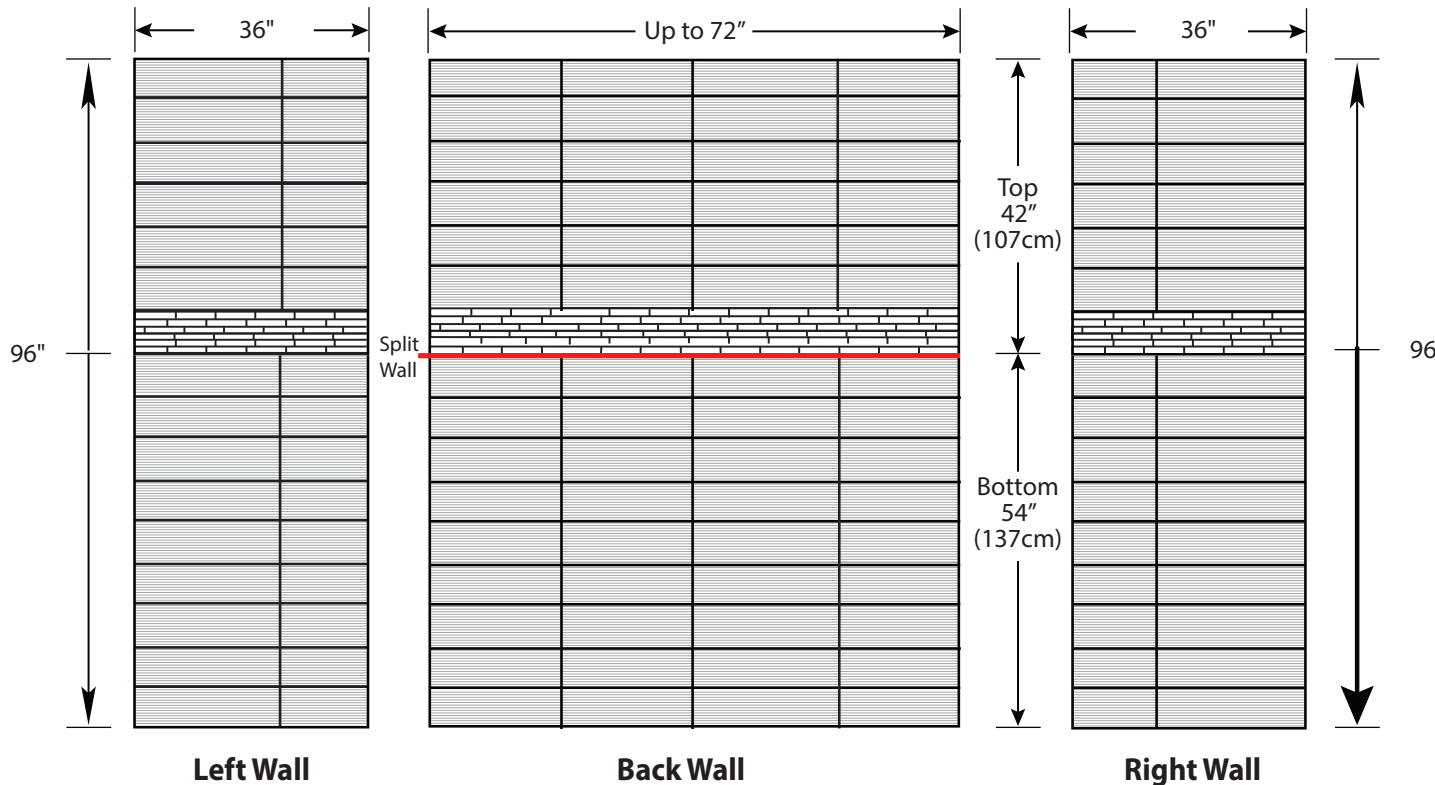
Revised: 2018.12.10

© 2018 Copyright IMI International Marble Industries, Inc.



Cast Marble Solutions for Tubs and Showers

6" x 24" Horizontal Textured Stacked Listello Wall Surrounds Technical Specifications



Optional Accessories

- 2 1/4" x up to 96" x 3/4" Trim Strips (6cm x 244cm x 2cm)
- Soap Dishes
- Shampoo Shelves
- Foot Rests
- Additional Accessories available upon request (minimum quantities apply).

Standard Features:

- Individual 'brick' size: 6" x 24" (15cm x 61cm)
- 6" (15cm) Integral Dimensions Listello
- Up to 96" (244cm) Max height
- Back Wall: 72" (183cm) Max width
- Side Walls: Up to 60" (152cm) Max width
- Textured Surface
- 1/4" (0.8cm) Nominal thickness
- Matte Finish



Minimum Order Quantities Apply

* Color Charts and additional patterns available upon request.

Our products comply with one or more of the following: IAPMO, ANSI, HUD, NAHB, NHQ

Typical CSI Code: 06 61 13 (Div 06)

Revised: 2018.09.27

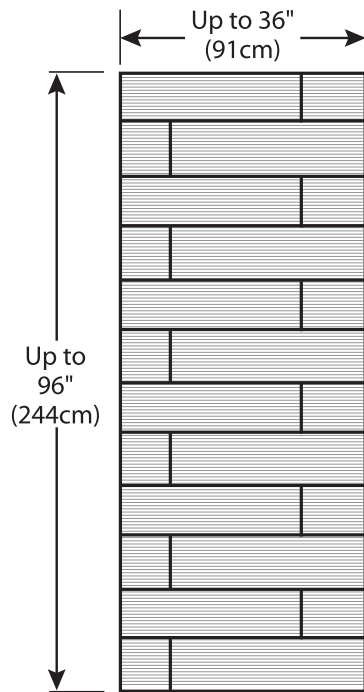
© 2018 Copyright IMI International Marble Industries, Inc.



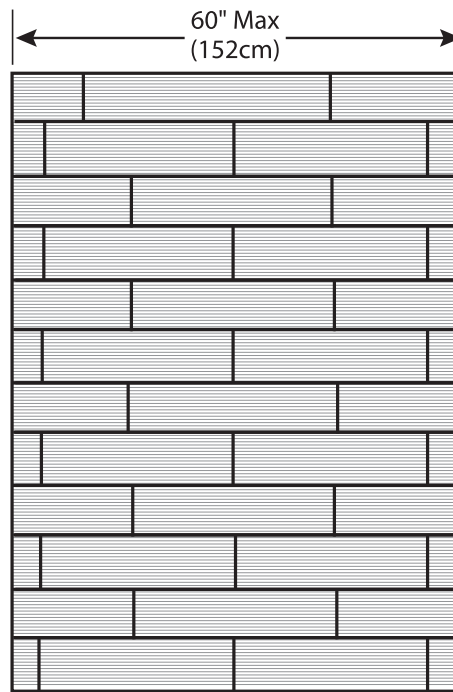
6" x 24" Textured Tile Pattern

WS-TX-TT6x24

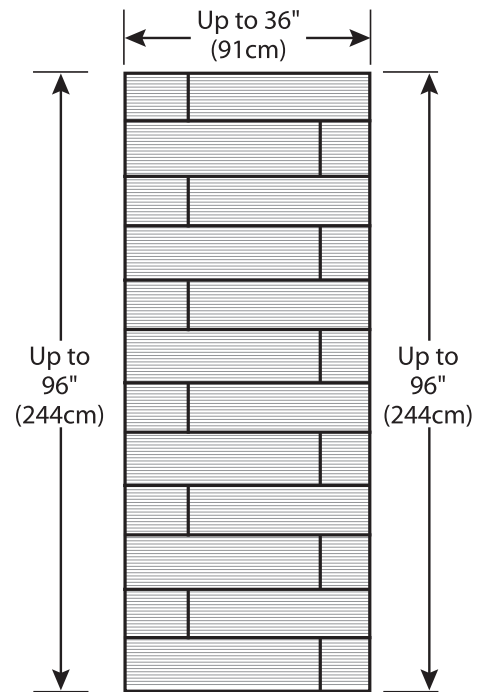
Technical Specifications



Left Wall



Back Wall



Right Wall



Standard Features:

- Individual brick size: 6" x 24" (15cm x 61cm)
- Up to 96" (244cm) Max height
- Back Wall: 60" (152cm) Max width
- Side Walls: Up to 36" (91cm) Max width
- Textured Surface
- 1/4" (0.6cm) Nominal thickness
- Matte Finish

Minimum Order Quantities Apply

Optional Accessories:

- 2" x up to 96" x 3/4" Trim Strips (5cm x 305cm x 2cm)
- Soap Dishes
- Shampoo Shelves
- Foot Rests
- Additional Accessories available upon request (minimum quantities apply).

* Color Charts and additional patterns available upon request.

Our products comply with one or more of the following: IAPMO, ANSI, HUD, NAHB, NHQ

Typical CSI Code: 06 61 13 (Div 06)

Revised: 2018.05.1

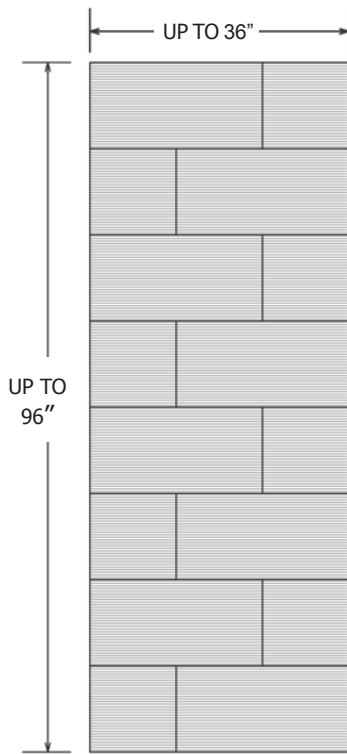
© 2018 Copyright IMI International Marble Industries, Inc.



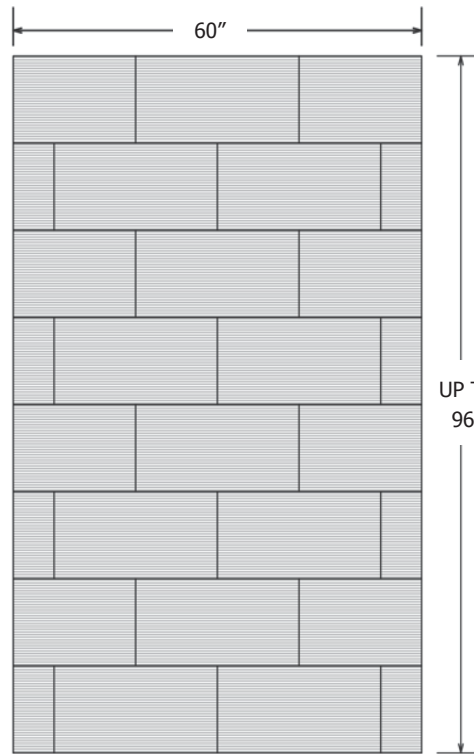
12" x 24" Textured Tile Pattern

WS-TX-TT12x24

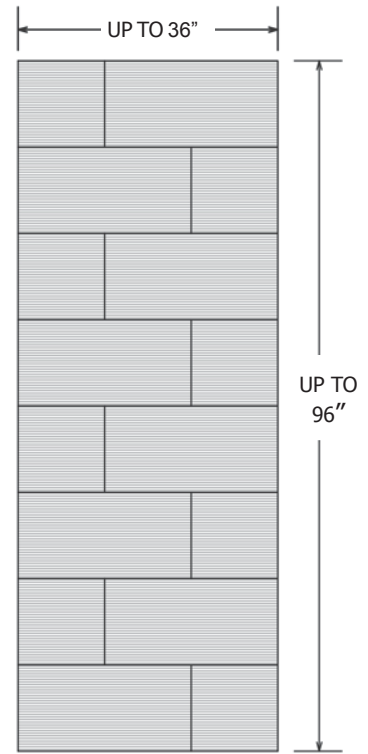
Technical Specifications



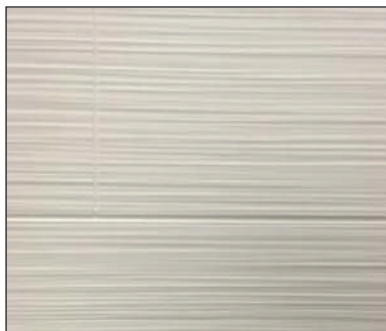
Left Wall



Back Wall



Right Wall



Standard Features:

- Individual brick size: 12" x 24" (30cm x 61cm)
- Up to 96" (244 cm) max. height
- Back Wall: 60" (152 cm) max. width
- Side Walls: Up to 36" (91 cm) max. width
- 1/4" (0.6 cm) Nominal thickness
- Matte Finish

Minimum Order Quantities Apply

Optional Accessories:

- 2" x up to 96" x 3/4" Trim Strips (5cm x 244cm x 2cm)
- Soap Dishes
- Shampoo Shelves
- Foot Rests
- Additional Accessories available upon request (minimum quantities apply).

* Color Charts and additional patterns available upon request.

Our products comply with one or more of the following: IAPMO, ANSI, HUD, NAHB, NHQ

Typical CSI Code: 06 61 13 (Div 06)

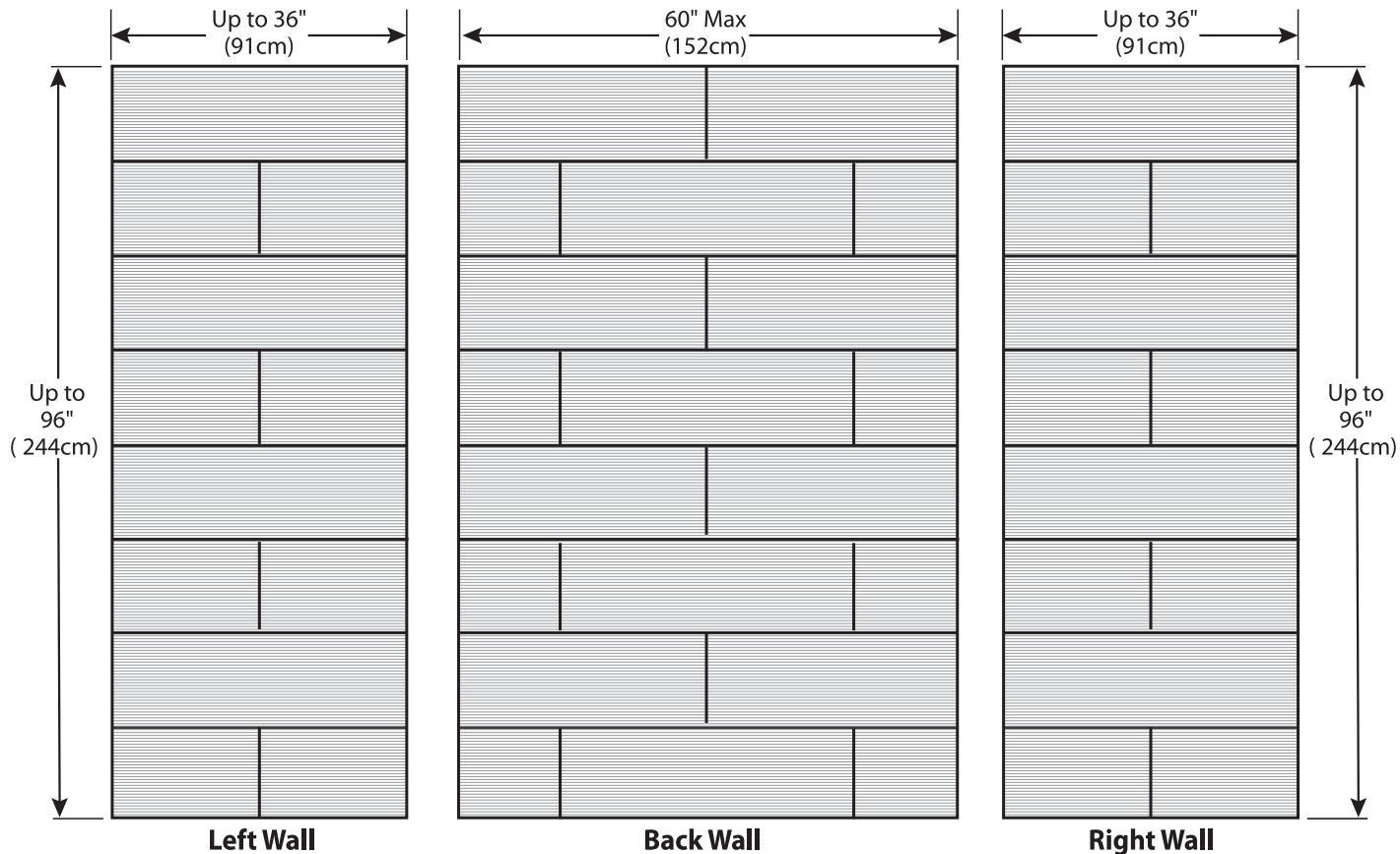
Revised: 2018.05.18

© 2018 Copyright IMI International Marble Industries, Inc.



12" x 36" Textured Tile Pattern Wall Surround

Technical Specifications



Standard Features:

- Individual 'brick' size: 12" x 36" (30cm x 94cm)
- Up to 96" (244cm) Max height
- Back Wall: 60" (152cm) Max width
- Side Walls: Up to 36" (94cm) Max width
- Textured Surface
- 5/16" (0.8cm) Nominal thickness
- Matte Finish

Optional Accessories:

- 2 1/4" x up to 120" x 3/4" Trim Strips (6cm x 305cm x 2cm)
- Soap Dishes
- Shampoo Shelves
- Foot Rests
- Additional Accessories available upon request (minimum quantities apply).

Minimum Order Quantities Apply

* Color Charts and additional patterns available upon request.

Our products comply with one or more of the following: IAPMO, ANSI, HUD, NAHB, NHQ

Typical CSI Code: 06 61 13 (Div 06)

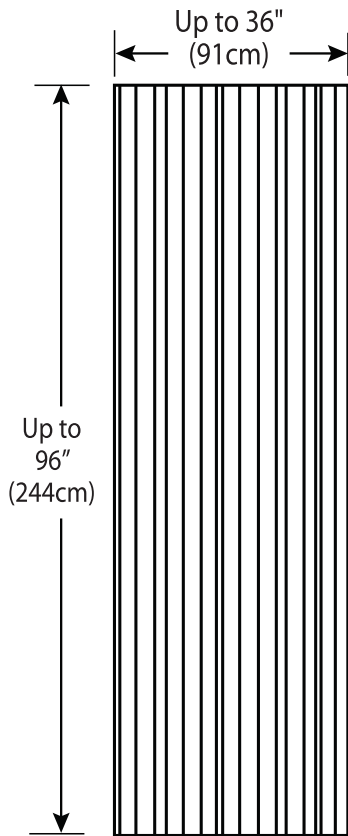
Revised: 2018.12.10

© 2018 Copyright IMI International Marble Industries, Inc.

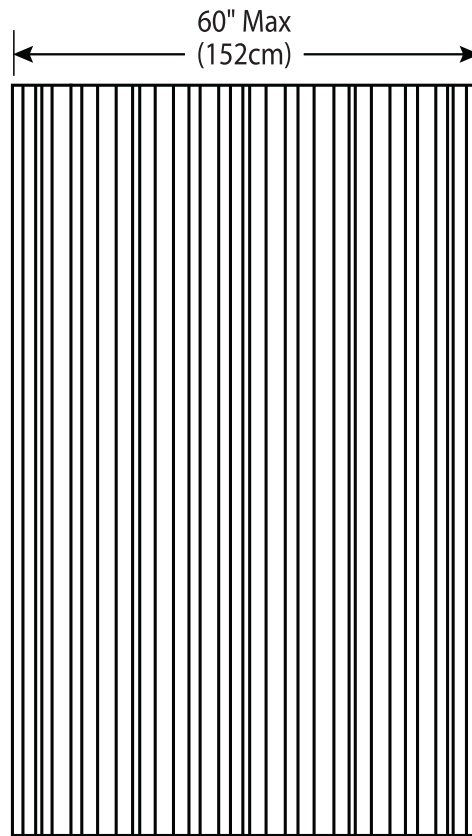


Vertical Textured

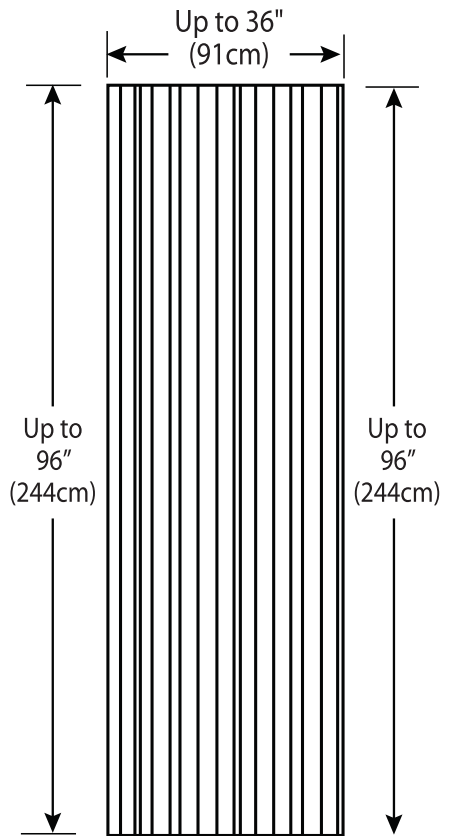
Wall Surrounds
Technical Specifications



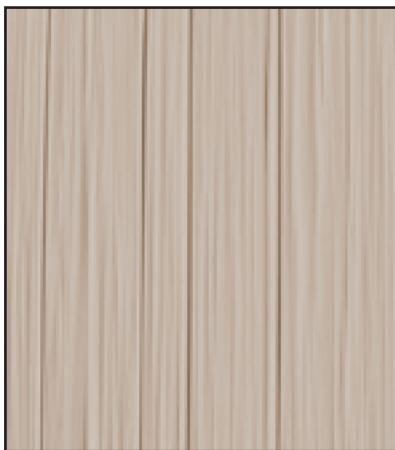
Left Wall



Back Wall



Right Wall



Standard Features:

- Up to 96" (244cm) Max height
- Back Wall: 60" (152cm) Max width
- Side Walls: Up to 36" (91cm) Max width
- 5/16" (0.8cm) Nominal thickness
- Matte finish

Minimum Order Quantities Apply

Optional Accessories:

- 2" x up to 120" x 3/4" Trim Strips (5cm x 305cm x 2cm)
- Soap Dishes
- Shampoo Shelves
- Foot Rests
- Additional Accessories available upon request (minimum quantities apply).

* Color Charts and additional patterns available upon request.

Our products comply with one or more of the following: IAPMO, ANSI, HUD, NAHB, NHQ

Typical CSI Code: 06 61 13 (Div 06)

Revised: 2018.12.10

© 2018 Copyright IMI International Marble Industries, Inc.



Vertical Textured with Vertical Listello

WS-TX-VTVL

Technical Specifications

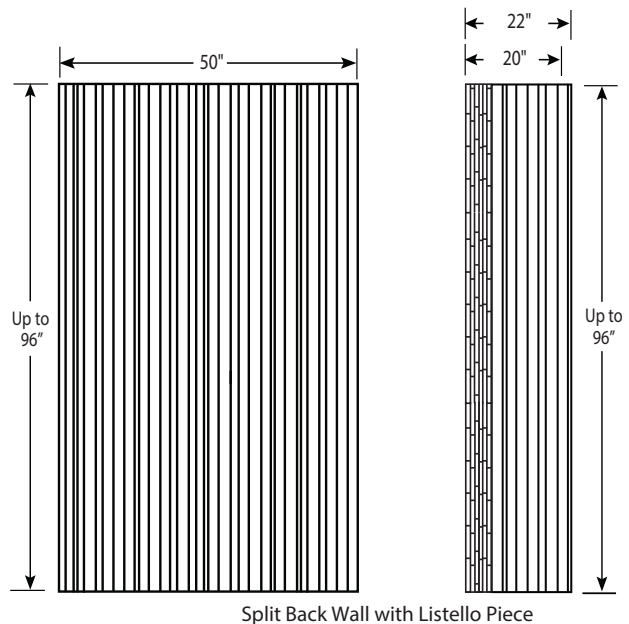
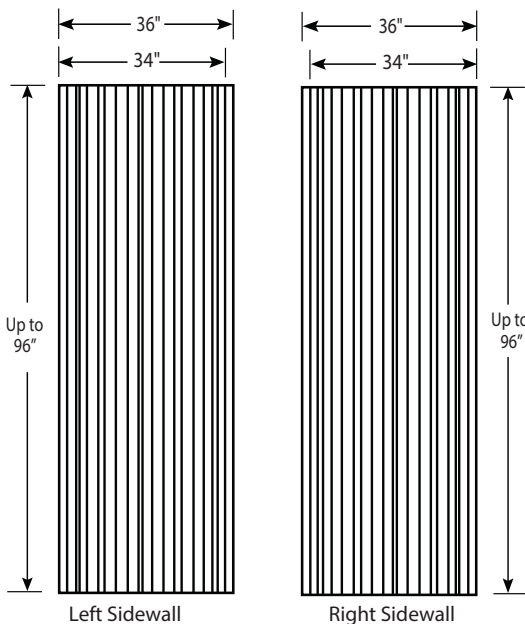
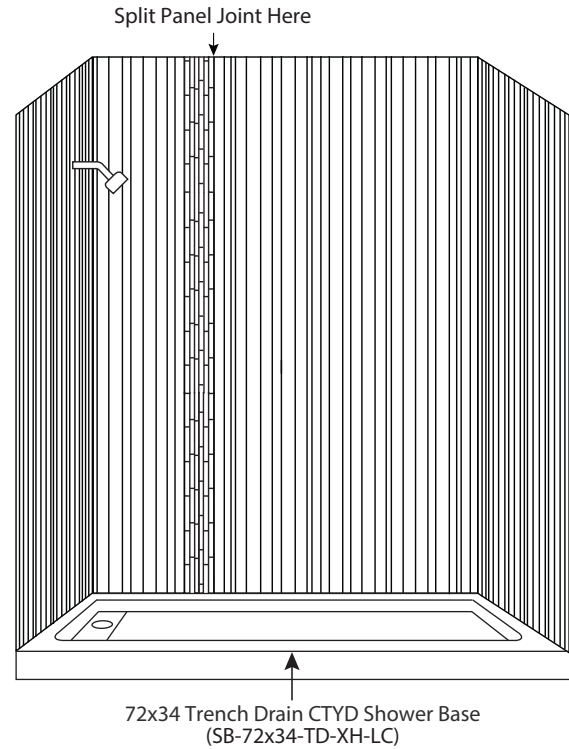


Dimensions:

- 2 - end panels: 34" x 96" each
- 2 - back panels: 50" x 22 x 96" (totalling) 72" x 96"
- Thickness: 1/4"
- To fit: 72" x 34" CTYD shower base
- Available colors: See Interior Finish Index for color

Standard Features:

- Back panel is 2 vertical panels - seamed together during install - no trim stick for seam
- Class A - Fire Rated
- 10-year limited warranty against defects



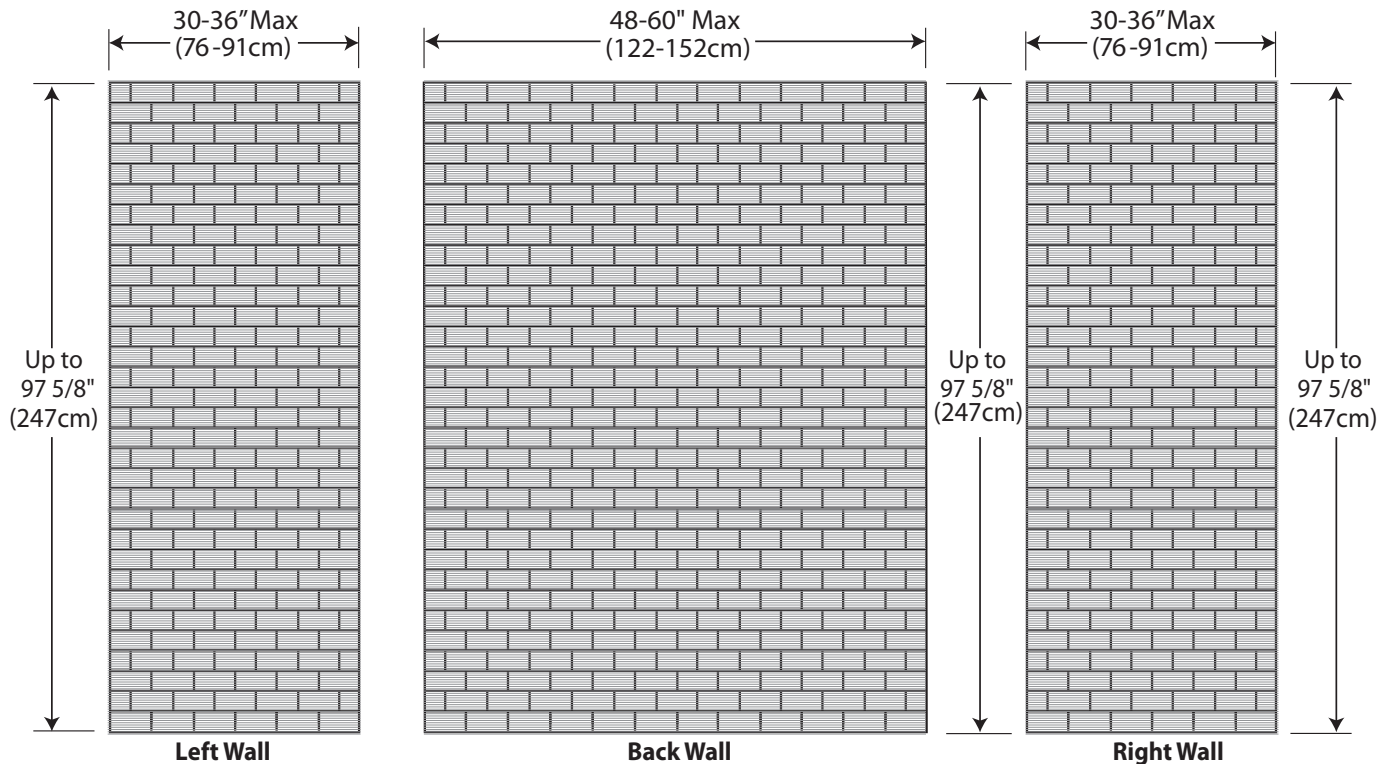
Typical CSI Code: 06 61 13 (Div 06)



Cast Marble Solutions for Tubs and Showers

3" x 6" Vision Panel System

Wall Surrounds
Technical Specifications



Standard Features:

- Staggered Brick Pattern: 3" x 6" (8cm x 15cm)
- Textured Surface
- Up to 97 5/8" (247cm) Max height
- Back Wall: 48-60" (122-152cm) Max width
- Side Walls: 30-36" (76cm-91cm) Max width
- 5/16" (0.8cm) Nominal thickness
- Matte finish

Minimum Order Quantities Apply

Optional Accessories:

- 2 1/4" x up to 120" x 3/4" Trim Strips (6cm x 305cm x 2cm)
- Soap Dishes
- Shampoo Shelves
- Foot Rests
- Additional Accessories available upon request (minimum quantities apply).

* Color Charts and additional patterns available upon request.

Our products comply with one or more of the following: IAPMO, ANSI, HUD, NAHB, NHQ

Typical CSI Code: 06 61 13 (Div 06)

Revised: 2018.12.11

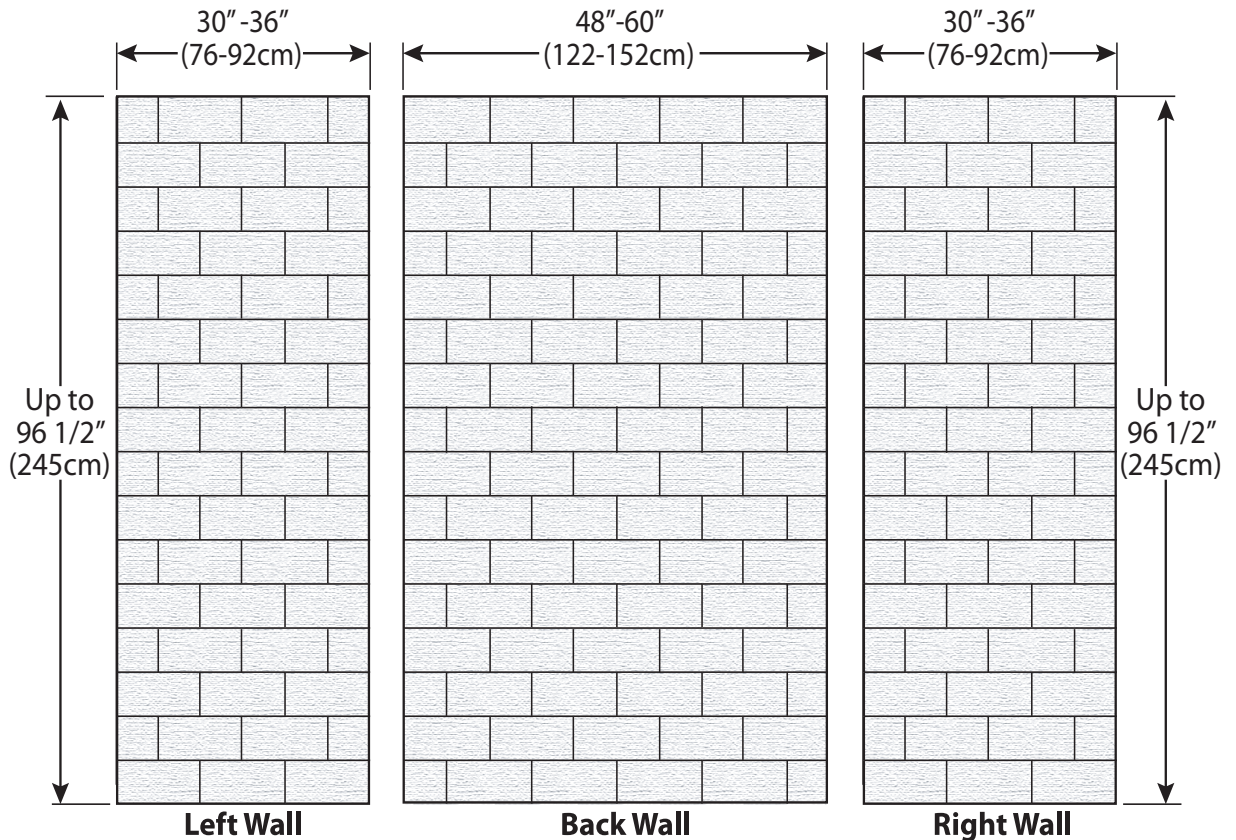
© 2018 Copyright IMI International Marble Industries, Inc.



Cast Marble Solutions for Tubs and Showers

6" x 12" Textured Vision Pattern Wall Surrounds

Technical Specifications



Standard Features:

- Individual 'brick' size: 6" x 12"
- Up to 96 1/2" (245cm) Max height
- Back Wall: 48"- 60" (122-152cm) Max width
- Side Walls: 30"-36" (76-91cm) Max width
- 5/16" (0.8cm) Nominal thickness
- Matte Finish

Minimum Order Quantities Apply

Optional Accessories:

- 2 1/4" x up to 120" x 3/4" Trim Strips (6cm x 305cm x 2cm)
- Soap Dishes
- Shampoo Shelves
- Foot Rests
- Additional Accessories available upon request (minimum quantities apply).

* Color Charts and additional patterns available upon request.

Our products comply with one or more of the following: IAPMO, ANSI, HUD, NAHB, NHQ

Typical CSI Code: 06 61 13 (Div 06)

Revised: 2018.12.10

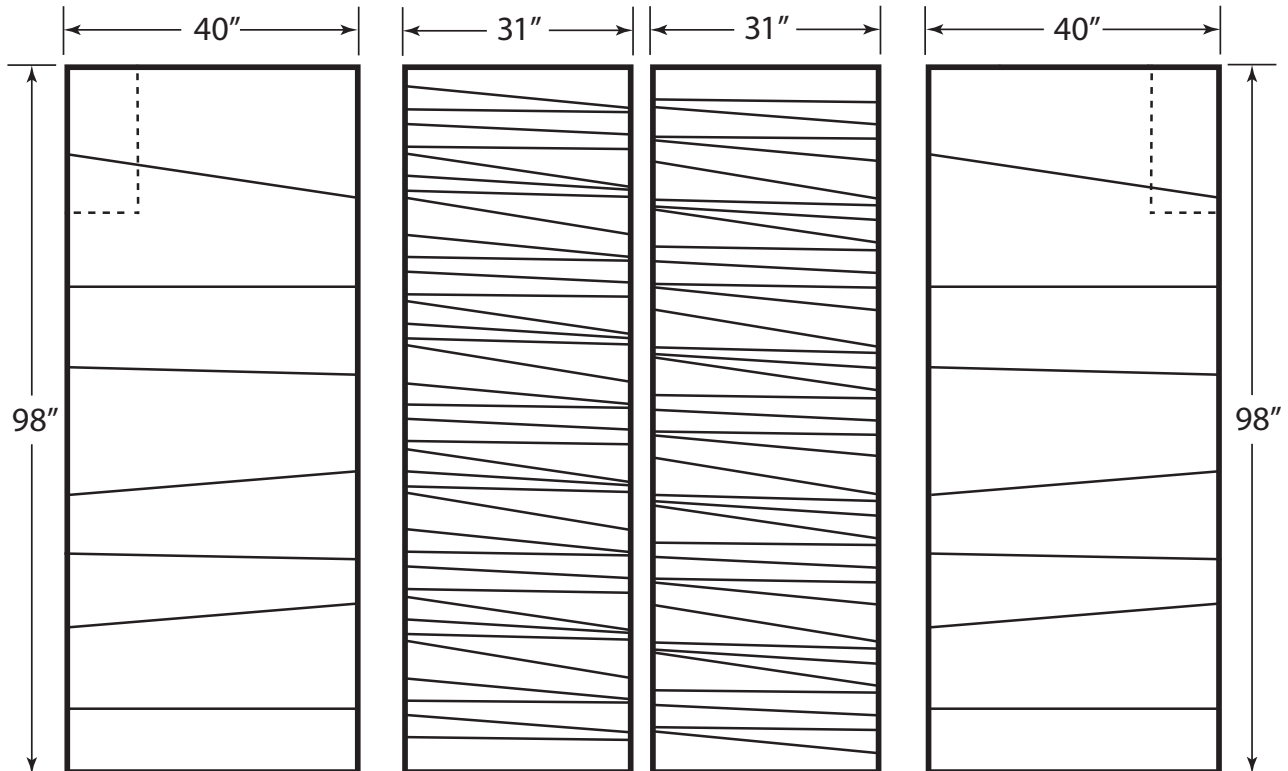
© 2018 Copyright IMI International Marble Industries, Inc.



Theorem Multi-Dimensional Pattern

WS-TX-TH

Technical Specifications
CSI Code 06 61 13



Note: Pattern extends to the edge of the panel with no trim piece.

*Lines on Panels on Back and Sides are not intended to align



Standard Features:

- Matte Finish
- Up to 98" Max height
- Back Wall - *Textured* (2 panels): 31" Max width each
- Side Walls - *Smooth*: 40" Max width
- 5/16" Nominal Thickness

Optional Accessories:

- 2" up to 96" x 3/4" Trim Strips
- Soap Dishes
- Shampoo Shelves
- Foot Rests
- Additional Accessories Available Upon Request

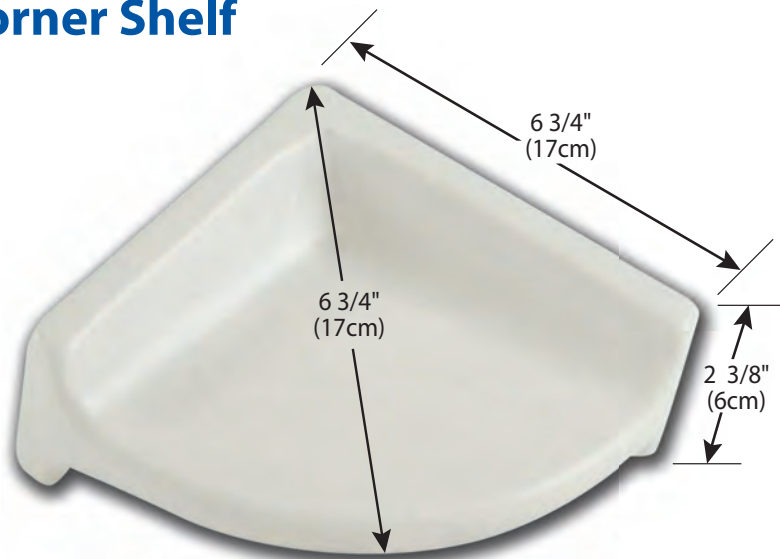


Cast Marble Solutions for Tubs and Showers

Surface Mount Ceramic Soap Dishes

Accessories
Technical Specifications

Corner Shelf



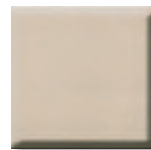
Colors Available:*



Solid White



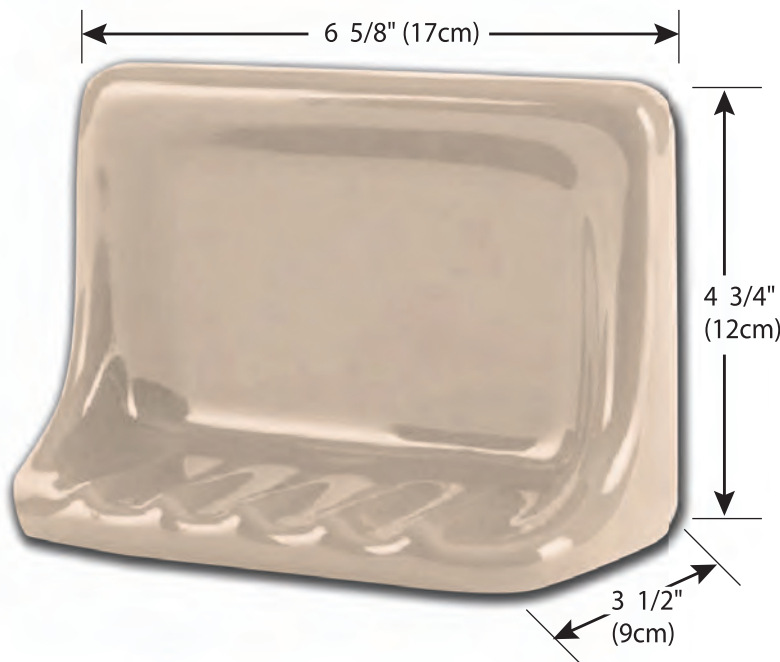
Solid Biscuit



Solid Almond

*Color samples are representative only.
Actual colors may vary. Please visit
www.imitoday.com or call us for an
accurate color chip.*

Tub Soap Holder



Typical CSI Code: 10 28 16 (Div 10)

Revised: 2017.02.17

© 2013 Copyright IMI International Marble Industries, Inc.



Cast Marble Solutions for Tubs & Showers

Chrome Plated 2-Tier Wire Corner Soapdish

Accessories
Technical Specifications



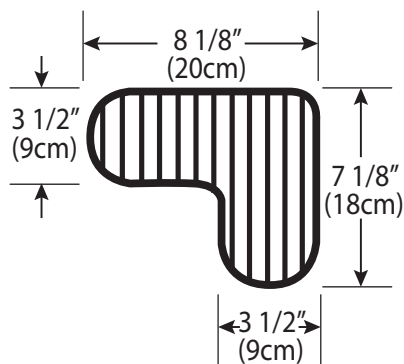
Dimensions:

- Depth: 8" x 7" (20cm x 18cm)
- Height 2" (5cm)

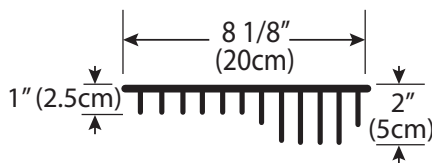
Standard Features:

- Corner mount
- Chrome plated brass
- Polished finish

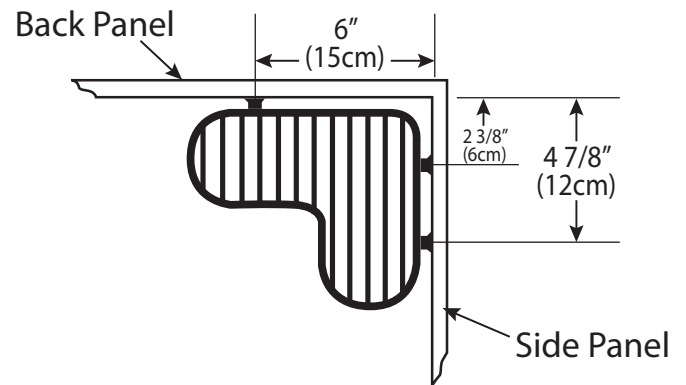
Top View



Side View



Drill Hole Location



Mounting Hardware Included

Note: Drill locations in dish may vary so check each dish before drilling. Add a dab of 100% silicone into screw holes under chrome screw cap.



Cast Marble Solutions for Tubs and Showers

Chrome Contour 8" Corner Basket

Accessories
Technical Specifications



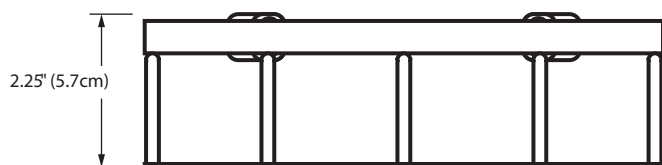
Dimensions:

- Depth: 6" (15.2cm)
- Height 2.25" (5.7cm)
- Width 8" (20.3cm)

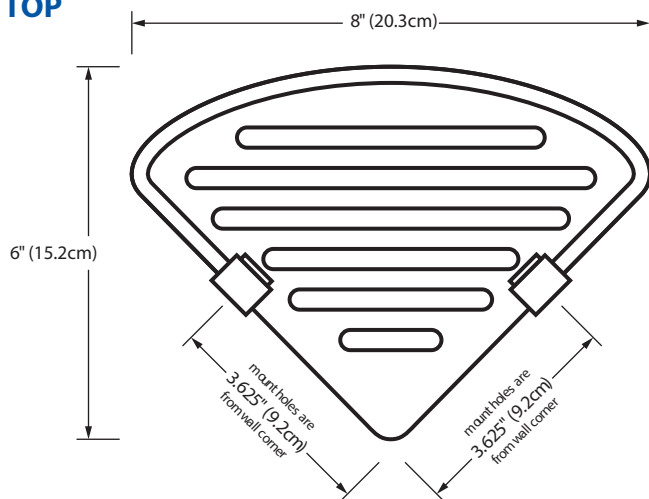
Standard Features:

- Corner mount
- HeliArc welded 8/8 (304) stainless steel
- Polished finish

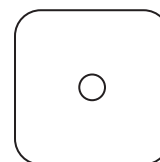
FRONT



TOP



HARDWARE INCLUDED:



1.5" Wall Guard x 2



Plastic Anchor x 2
for solid walls



S/S Screw for Blocking x 2

Note: Drill locations in dish may vary so check each dish before drilling. Add a dab of 100% silicone into screw holes under chrome screw cap.



3 Piece Corner Mount Shampoo Shelf

Accessories

Estimated Weight: 1 lb (0.45 kg)

Technical Specifications

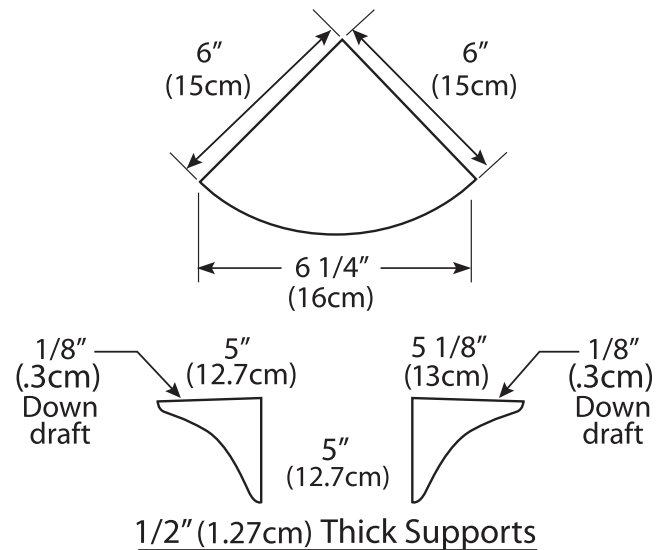
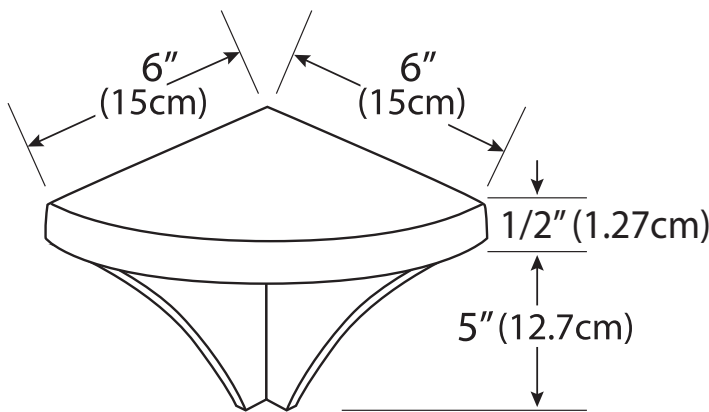


Dimensions:

- Size: 6" x 6" (15cm x 15cm)
- Height 6" (15cm)
- Circumference 6 1/4" (15.8cm)
- Thickness 1/2" (1.27cm)

Standard Features:

- Corner mount shampoo shelf - designed to accommodate larger shampoo/soap containers
- Matte Finish



* Color Charts and additional patterns available upon request.

Our products comply with one or more of the following: IAPMO, ANSI, HUD, NAHB, NHQ

Typical CSI Code: 10 28 16 (Div 10)

Revised: 2019.03.21

© 2019 Copyright IMI International Marble Industries, Inc.



Cast Marble Solutions for Tubs and Showers

7" x 7" Shampoo Shelf

Estimated Weight: 1.2 lbs (.68 kg)

Accessories

Technical Specifications



Dimensions:

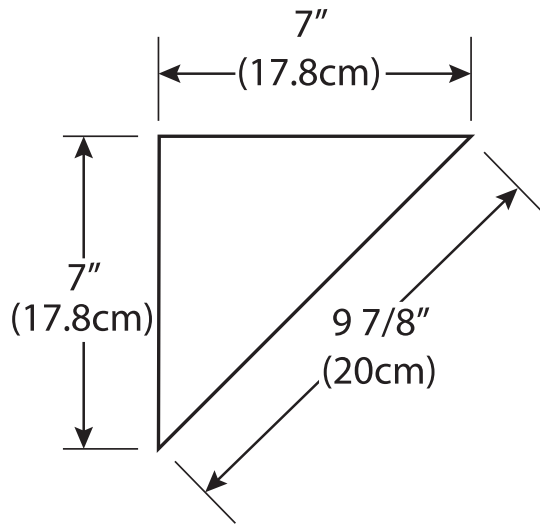
- Size: 7" x 7" x 9 7/8" (18cm x 18cm x 20cm)
- Height 1 1/2" (15cm)

Standard Features:

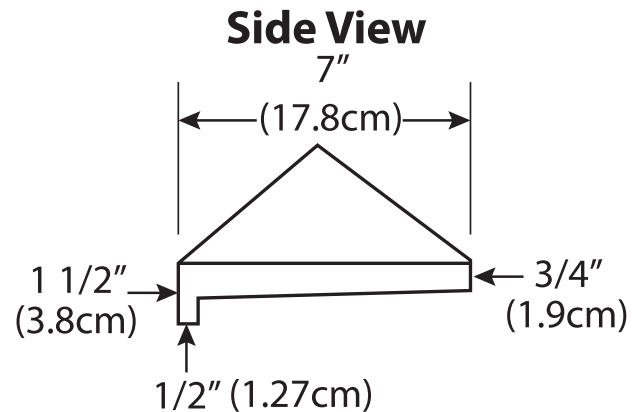
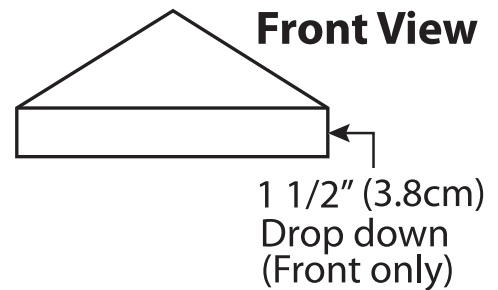
- Corner mount shampoo shelf - designed to accommodate larger shampoo/soap containers
- Gloss Finish

Optional: (Available Selections)

- Matte Finish



1/4" Thick Supports



* Color Charts and additional patterns available upon request.

Our products comply with one or more of the following: IAPMO, ANSI, HUD, NAHB, NHQ

Typical CSI Code: 10 28 16 (Div 10)

Revised: 2019.03.21

© 2019 Copyright IMI International Marble Industries, Inc.



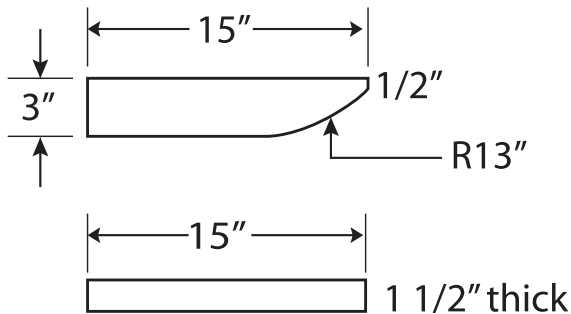
Cast Marble Solutions for Tubs and Showers

Accessory Ledges

Accessories

Estimated Weight: 2 lbs (0.9 kg) for 15" • 4 lbs (1.8 kg) for 27" • 5 lbs (2.7 kg) for 30" Technical Specifications

Curved Accessory Ledge



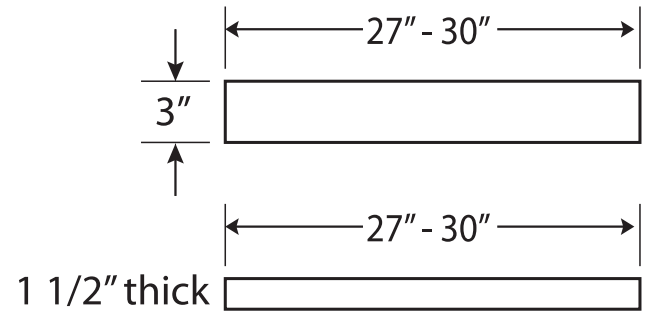
Dimensions:

- Size: 3" x 15" (8cm x 38cm)
- Thickness: 1 1/2" (4cm)

Standard Features:

- Wall Mount Accessory Ledge
- 2 -3/4" (2cm) Wooden Dowels – 3 3/4" (10cm) in Length
- Holes Pre Drilled for Easy Install
- Gloss or Matte Finish

Square Accessory Ledge



Dimensions:

- Size: 3" x 27" - 30" (8cm x 69cm - 76cm)
- Thickness: 1 1/2" (4cm)

Standard Features:

- Wall Mount Accessory Ledge
- 2 -3/4" (2cm) Wooden Dowels – 3 3/4" (10cm) in Length
- Holes Pre Drilled for Easy Install
- Gloss or Matte Finish

* Color Charts and additional patterns available upon request.

Our products comply with one or more of the following: IAPMO, ANSI, HUD, NAHB, NHQ

Typical CSI Code: 10 28 16 (Div 10)

Revised: 2019.03.21

© 2019 Copyright IMI International Marble Industries, Inc.



3 Piece Corner Mount Foot Rest

Estimated Weight: 1.5 lbs (0.68 kg)

Accessories

Technical Specifications

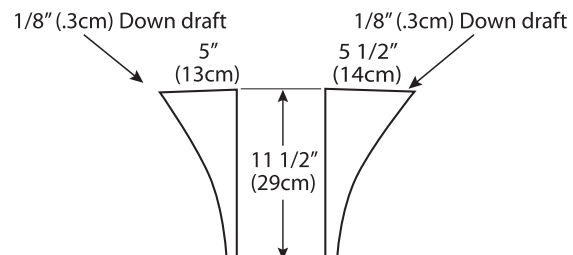
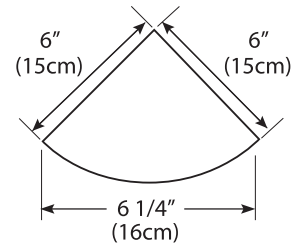
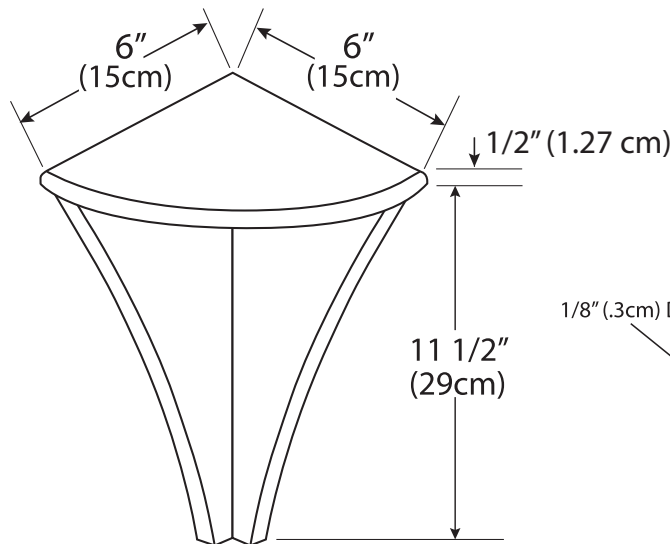


Dimensions:

- Size: 6" x 6" (15cm x 15cm)
- Height 12 1/2" (32cm)
- Circumference 6 1/4" (16cm)
- Thickness 1/2" (1.27cm)

Standard Features:

- Corner mount
- Matte Finish



1/2" (1.27cm) Thick Supports

* Color Charts and additional patterns available upon request.

Our products comply with one or more of the following: IAPMO, ANSI, HUD, NAHB, NHQ



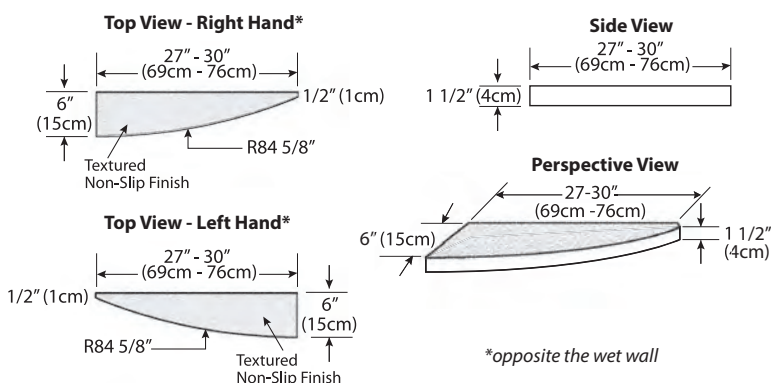
Non-Slip Foot Rest

Estimated Weights: (15" = 3 lbs. - 27" = 6.5 lbs. - 30" = 8.5 lbs.)

Accessories

Technical Specifications

27-30 inch Non-Slip Foot Rest



Dimensions:

- Size: 6" x 27" - 30" x 1/2"
(15cm x 69cm - 76cm x 1cm)
- Thickness: 1 1/2" (4cm)

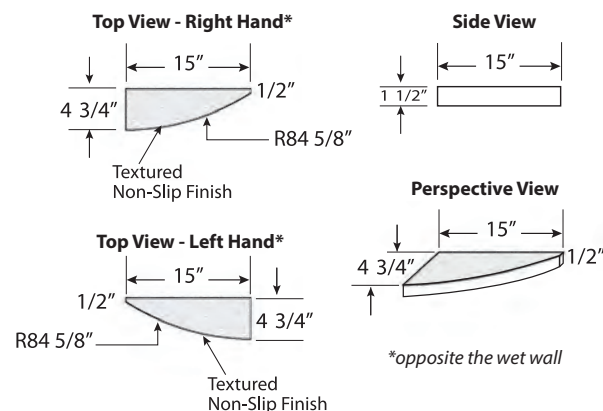
Standard Features:

- Wall Mount Foot Rest
- 3 ea. 3/4" (2cm) Diameter Wooden Dowels
3 3/4" (10cm) in Length
- Holes Pre Drilled for Easy Install
- Textured Non-Slip Finish
- Gloss Finish

* Color Charts and additional patterns available upon request.

Our products comply with one or more of the following: IAPMO, ANSI, HUD, NAHB, NHQ

15 inch Non-Slip Foot Rest



Dimensions:

- Size: 4 3/4" x 15" x 1/2"
(12cm x 38cm x 1cm)
- Thickness: 1 1/2" (4cm)

Standard Features:

- Wall Mount Foot Rest
- 3 ea. 3/4" (2cm) Diameter Wooden Dowels
3 3/4" (10cm) in Length
- Holes Pre Drilled for Easy Install
- Textured Non-Slip Finish
- Gloss Finish

Typical CSI Code: 10 28 16 (Div 10)

Revised: 2019.03.21

© 2019 Copyright IMI International Marble Industries, Inc.



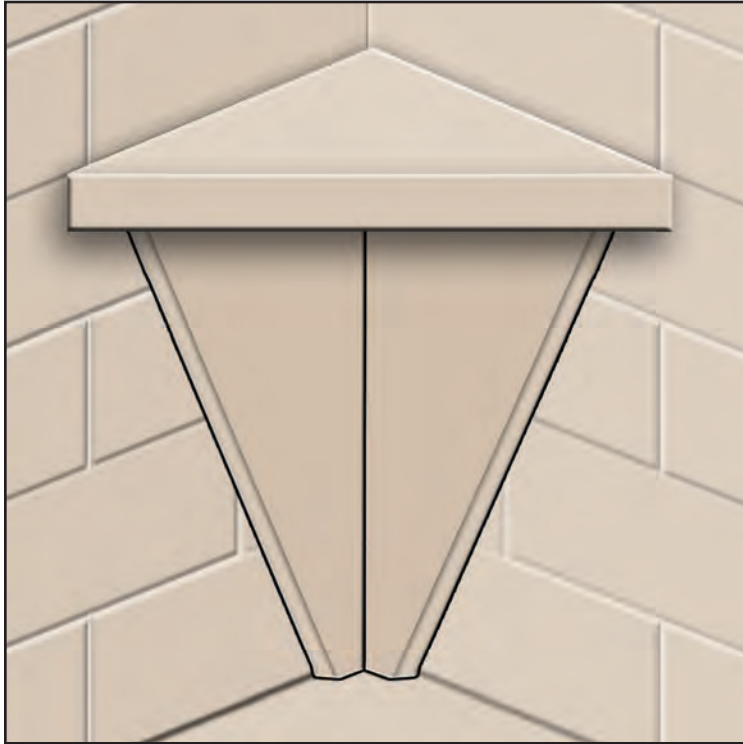
Cast Marble Solutions for Tubs and Showers

7" x 7" Angular Foot Rest

Estimated Weight: 3.5 lbs. (1.36 kg.)

Accessories

Technical Specifications



Dimensions:

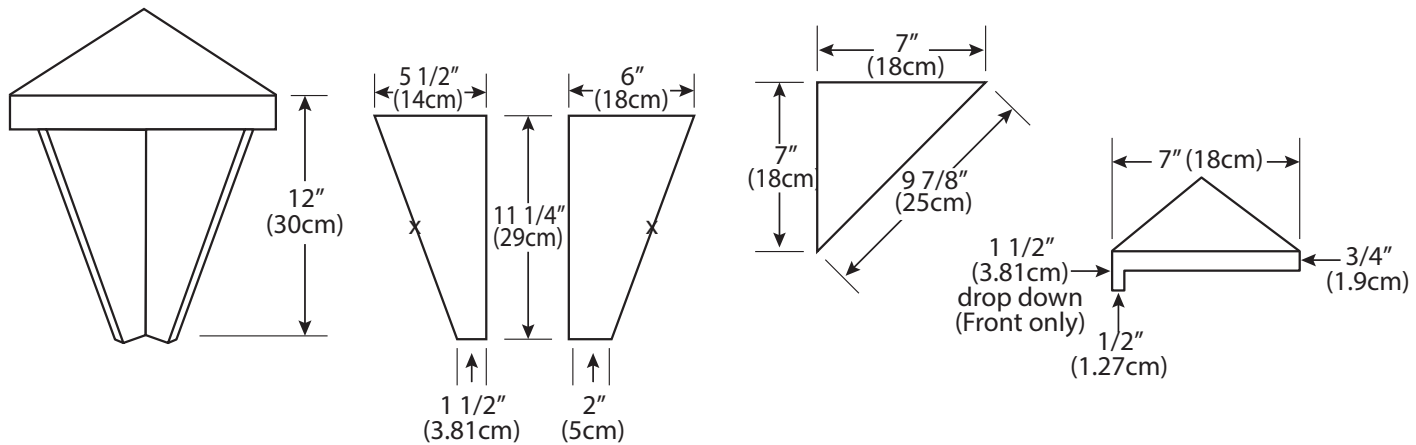
- Height: 12" (30cm)
- Size: 7" x 7" (18cm x 18cm)
- Front Edge: 9 7/8" (25cm)
- Front Turndown: 1 1/2" x 1/2" (3.8cm x 1.27cm)
- Thickness: 3/4" (1.9cm)

Standard Features:

- Corner mount
- Separate Elongated supports
- Matte Finish

Options:

- Gloss Finish



* Color Charts and additional patterns available upon request.

Our products comply with one or more of the following: IAPMO, ANSI, HUD, NAHB, NHQ

Typical CSI Code: 10 28 16 (Div 10)

Revised: 2019.03.21

© 2019 Copyright IMI International Marble Industries, Inc.



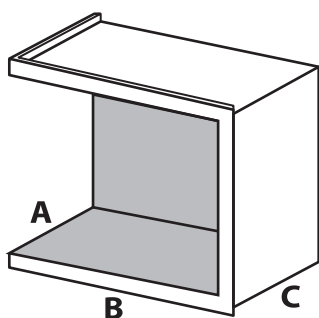
Cast Marble Solutions for Tubs and Showers

12" x 16" Amenities Nook

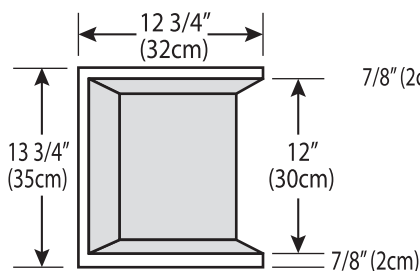
Accessories

Estimated Weight: ~26 lbs

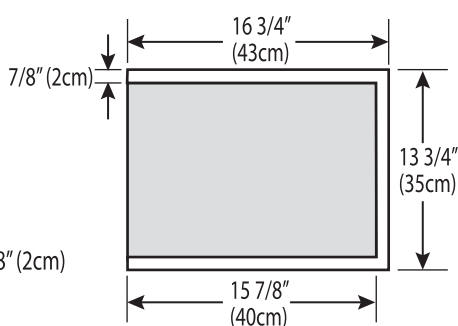
Technical Specifications



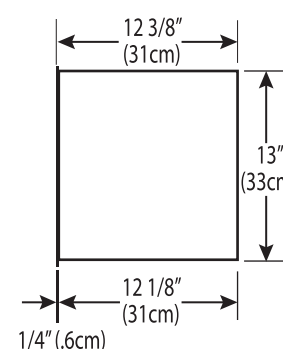
'A' View (Front)



'B' View (Shower Side)



'C' View (Side)



Standard Features:

- Solid surface one-piece construction

Dimensions:

- Interior Dimensions: 12" h x 12" w x 16" d (30cm x 30cm x 41cm)
- Exterior Dimensions including lip: 13 5/8" h x 12 1/2" w x 16 7/8" d (35cm x 32cm x 43cm)
- Exterior Dimensions excluding lip: 13" h x 12 5/16" w x 16" d (33cm x 31cm x 41cm)

* Color Charts and additional patterns available upon request.

Our products comply with one or more of the following: IAPMO, ANSI, HUD, NAHB, NHQ

Typical CSI Code: 10 28 16 (Div 10)

Revised: 2019.03.21

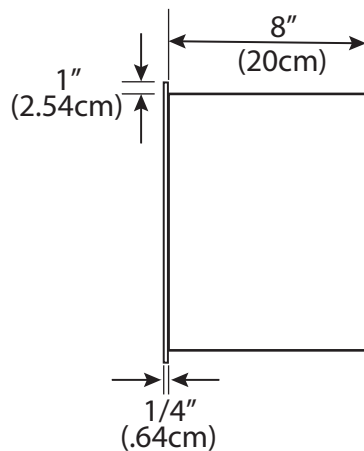
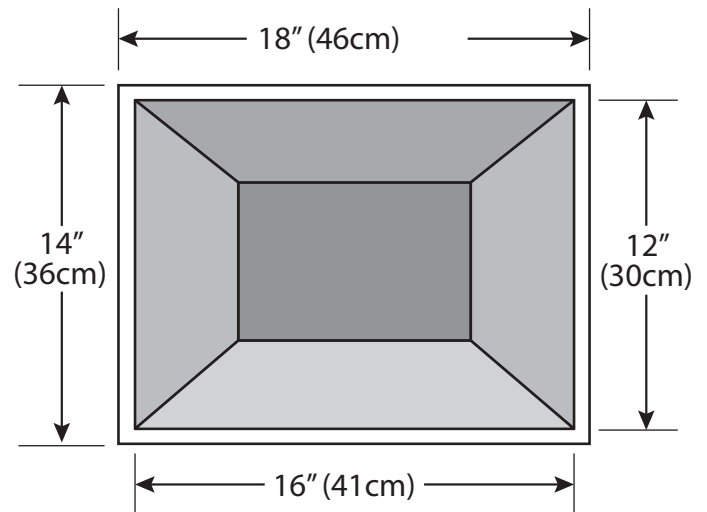
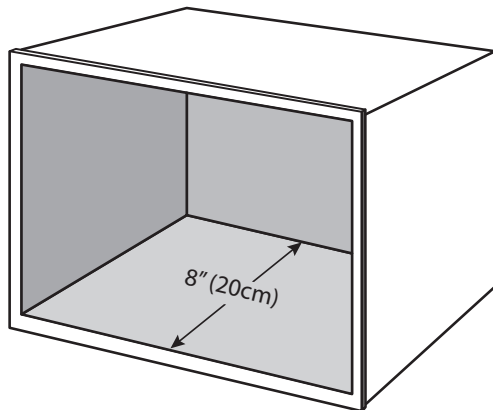
© 2019 Copyright IMI International Marble Industries, Inc.



12" x 16" Tub Nook

Estimated Weight: TBD

Accessories
Technical Specifications



Standard Features:

- Solid surface one-piece construction
- Matte Finish

Dimensions:

- Exterior Height: 14" (36cm)
- Exterior Width: 18" (46cm)
- Interior Height: 12" (30cm)
- Interior Width: 16" (41cm)
- Interior Depth: 8" (20cm)



* Color Charts and additional patterns available upon request.

Our products comply with one or more of the following: IAPMO, ANSI, HUD, NAHB, NHQ

Typical CSI Code: 10 28 16 (Div 10)

Revised: 2019.03.21

© 2019 Copyright IMI International Marble Industries, Inc.

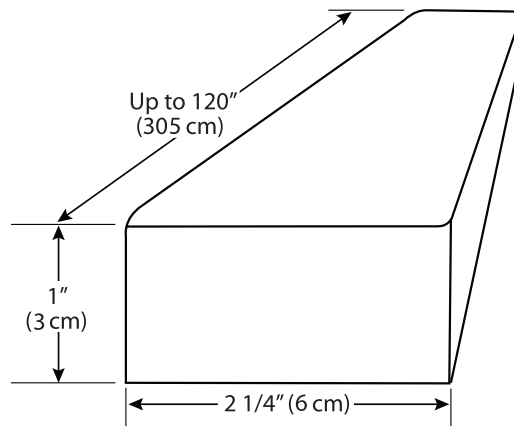
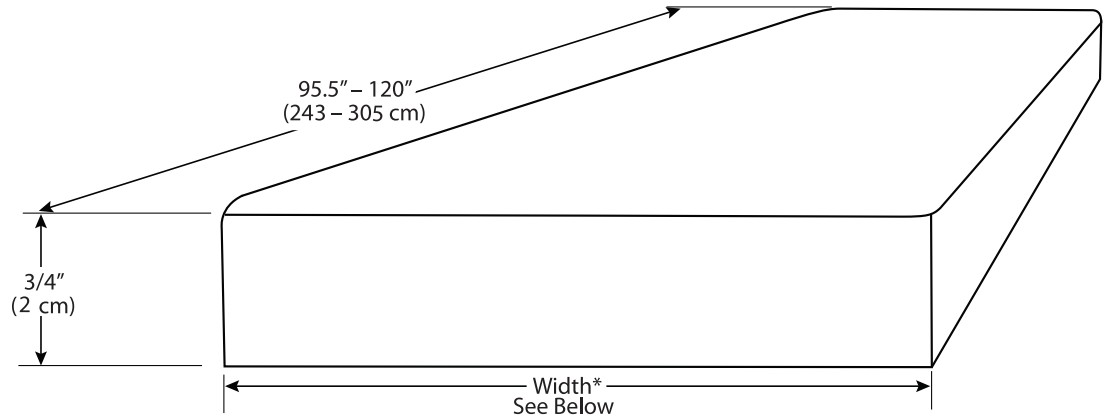


Cast Marble Solutions for Your Windows

3/4" Flat Trim and 1" Flat Trim

Trim

TECHNICAL SPECIFICATIONS



3/4" Flat Trim

Standard Features:

- 3/4" (2 cm) Thick
- Up to 95.5"-120" (243-305 cm) Length
- The following are Standard Widths*
 - 2 1/4" (6 cm)
 - 4" (10 cm)
 - 6" (15 cm)
 - 7" (18 cm)
 - 8" (20 cm)
 - 9" (23 cm)
 - 10" (25 cm)
- Custom sizes are also available



1" Flat Trim

Standard Features:

- 1" (3 cm) Thick
- Up to 120" (305 cm) Length
- 2 1/4" (6 cm) Width

Typical CSI Code: 10 28 16 (Div 10)

Revised: 2019.03.21

Our products comply with one or more of the following: IAPMO, ANSI, HUD, NAHB, NHQ

© 2019 Copyright IMI International Marble Industries, Inc.

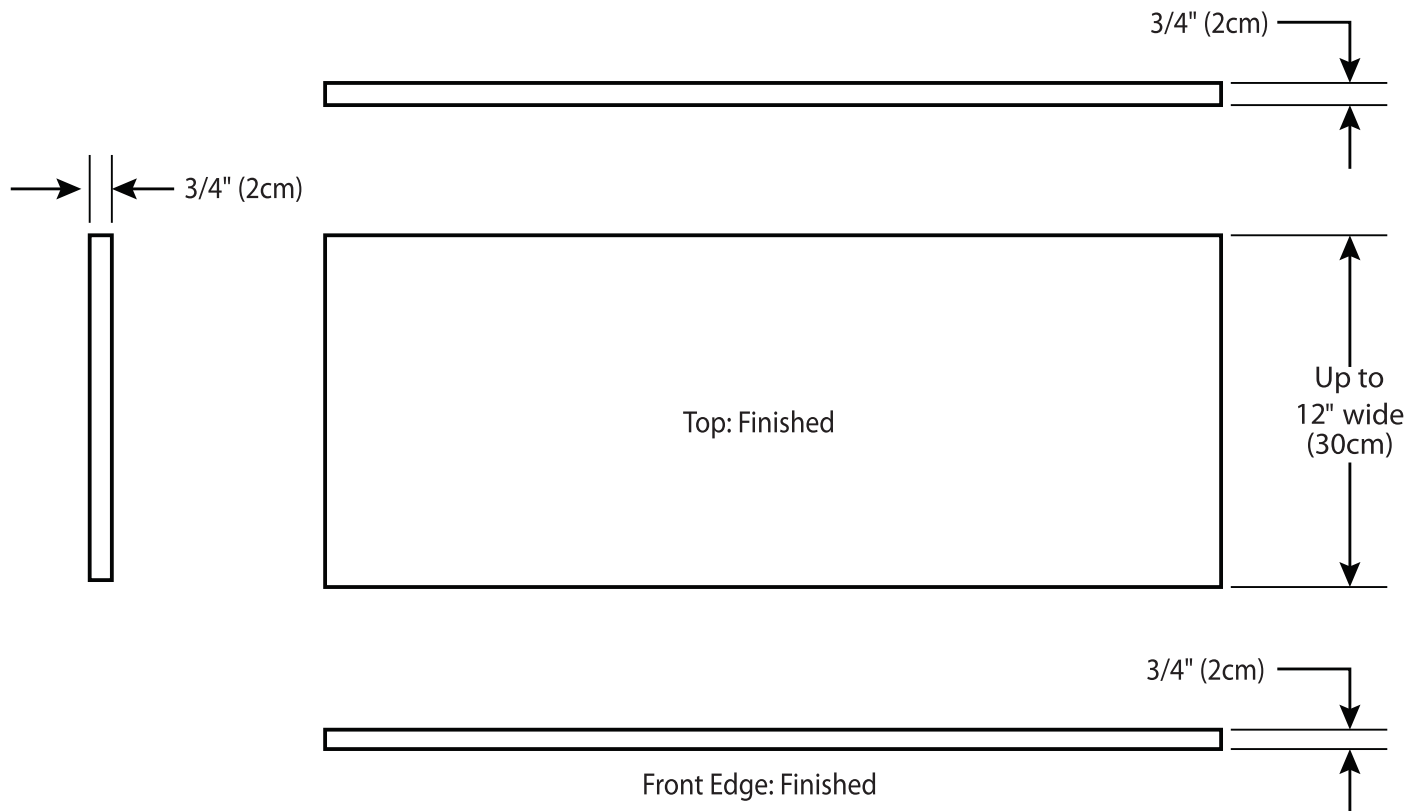


Cast Marble Solutions for Your Windows

Window Sill

IMI SolidCast™

Trim
TECHNICAL SPECIFICATIONS



Standard Features:

- 120" long x up to 12" wide x 3/4" thick (305cm x 30cm x 2cm)
- Top: Finished
- Front Edge: Finished
- Sides: Optional Finish

* Color Charts and additional patterns available upon request.

Our products comply with one or more of the following: IAPMO, ANSI, HUD, NAHB, NHQ

Typical CSI Code: 10 28 16 (Div 10)

Revised: 2019.03.21

© 2019 Copyright IMI International Marble Industries, Inc.