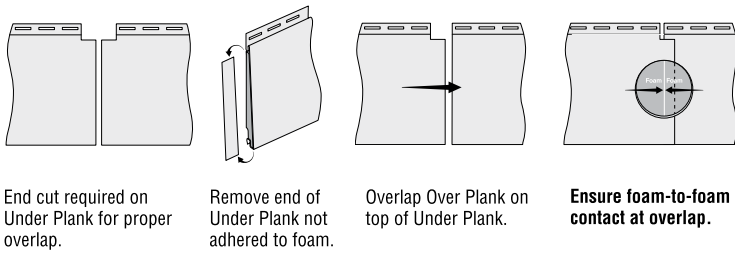




# QUICK START INSTALLATION GUIDE

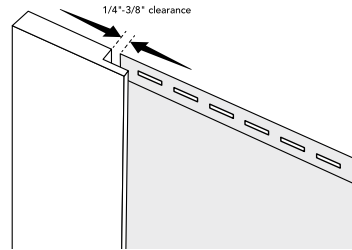
**IMPORTANT:** Failure to follow Alside written installation instructions and comply with applicable building codes may violate laws and affect siding performance and warranty coverage. For complete installation instructions, visit [ascendcompositecladding.com](http://ascendcompositecladding.com).

## PLANK OVERLAP

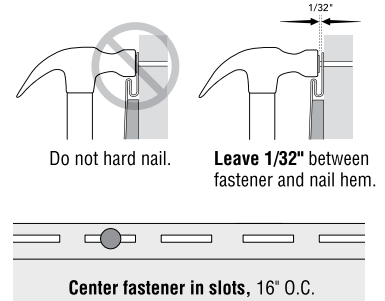


## CLEARANCE BETWEEN PLANK AND RECEIVING CHANNELS

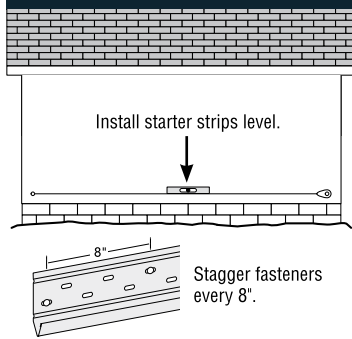
1/4" when install temp is 40°F or greater.  
3/8" when install temp is below 40°F.



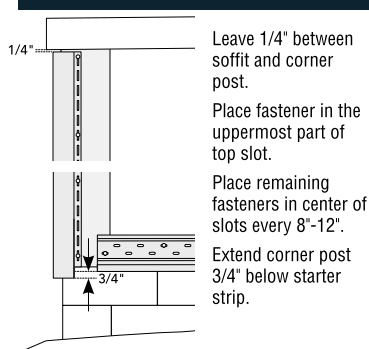
## FASTENING



## STARTER STRIP

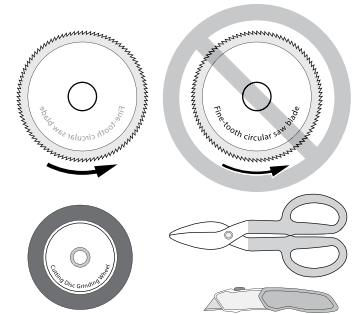


## OUTSIDE CORNER POST

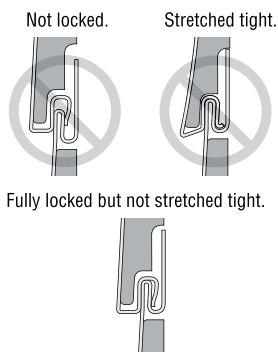


## TOOLS AND BLADES

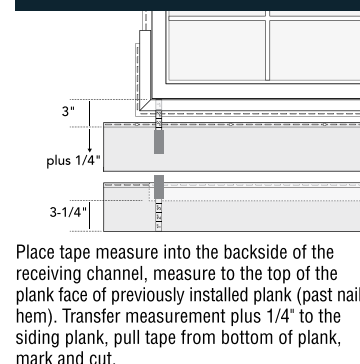
**VERTICAL CUTS [IMPORTANT]:** Must be straight. Circular saw with a fine tooth (plywood) blade installed backwards.  
Tin snips; avoid closing blade completely at end of each stroke for a cleaner cut.  
**HORIZONTAL CUTS**  
Angle grinder with grinder blade.  
Utility knife or scoring tool; score across and through the face of plank, into foam backing, and snap in half.  
**ANGLE CUTS**  
Saws, snips and grinder blades are acceptable.



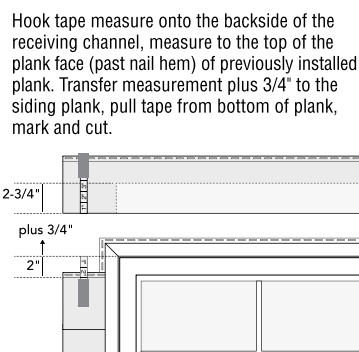
## STACKLOCK ENGAGEMENT



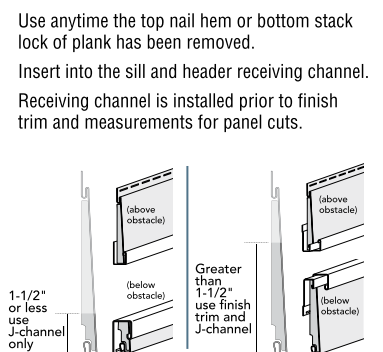
## PLANK RIP CUTS BELOW OBSTACLES



## PLANK RIP CUTS ABOVE OBSTACLES



## FINISH TRIM – SECURING PLANK RIP CUTS



Alside 3773 State Road Cuyahoga Falls, Ohio 44223  
1-800-922-6009 [www.alside.com](http://www.alside.com)

