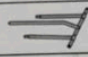
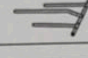
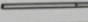
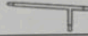
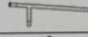


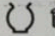



# **Garment Rack User Manual**

## **HOKEEPER**



Please read this product user manual carefully before using.  
Retain this manual for future use.

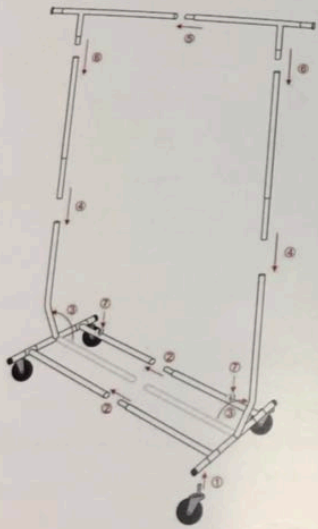
Part List			
Part #	Part Image	Description	Qty
A1		Foldable Bottom (male end)	1
A2		Foldable Bottom (female end)	1
B		Vertical Bar in Middle	2
C1		Top Rail (male end)	1
C2		Top Rail (female end)	1
D		Caster without brake	2
E		Caster with brake	2
F		Clip and Nut	2
G		A Tool for Installing Casters	1

Follow the 6 steps to assemble your garment rack:

- ① Install the 4 casters into part# A. You can install the part# E with brake either in the same side or in the opposite side.
- ② Connect part# A1 and part# A2, as shown in the picture
- ③ Lift up the bottom central rod of part# A until it's vertical locked

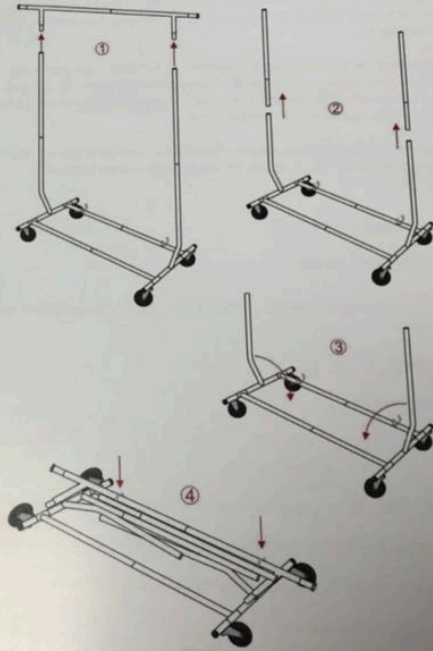
- ④ Insert part# B tube into part# A central tube, as shown in the picture
- ⑤ Connect part# C1 and part# C2, as shown in the picture
- ⑥ Press the spring fastener, insert part# C into part# B

**How to assemble your garment rack**



**How to unfold your garment rack**

Follow the 4 steps to disassemble the garment rack for storage:





Dear Customer,

Thanks a million for purchasing this garment rack from Hokeeper. Your support is highly appreciated!

Hokeeper's mission is to build mutually beneficial cooperation & relationship between customers. And we aim at 4R Principles: Reliable, Responsible, and Recommendable.

So we sincerely hope our item could meet your expectations and you would consider us again for your future needs. If you are satisfied with our item and service, we'd greatly appreciate if you could take a moment to leave a 5 Star feedback & write some customer reviews for it.

When you receive the package, please double check your package and see if there is any problem. If you have any questions, please don't hesitate to contact us at any time.

[maxlead.us@gmail.com](mailto:maxlead.us@gmail.com)

**Phone:302-261-5366**

We will spare no efforts to help you as always. We will reply each email or call within 24 hours.

Kindest regards,

Hokeeper Sales Team

★★★★★ Ratings Are Considered the Highest Honor for our company!

**For Hokeeper! Customer comes always the first, and all of our endeavors are made for customers, your 100% satisfaction is our unchangeable goals forever!**