

Frame prevents damage to the grout when the grate is removed

Base Adjustable: Adjust length and place outlet on site

Outlet 2" or 3" High Flow outlet pipe, can be placed anywhere on the base

Joiners used to attach base and outlet

Trim cover the edge of the base, so the joints are not visible

Threaded Nipple with gasket used to install the drain into the flange, helps adjust the height and threads into most 2" or 3" ABS, PVC and Cast Iron Flanges

Hair Strainer fits inside the drain to collect hair and other debris, preventing pipe clogs. Also, keeps insects and small rodents from coming up through the sewage system

Leveling Feet keep the drain channel in the correct position and level during installation

Lifting Key assists with grate removal



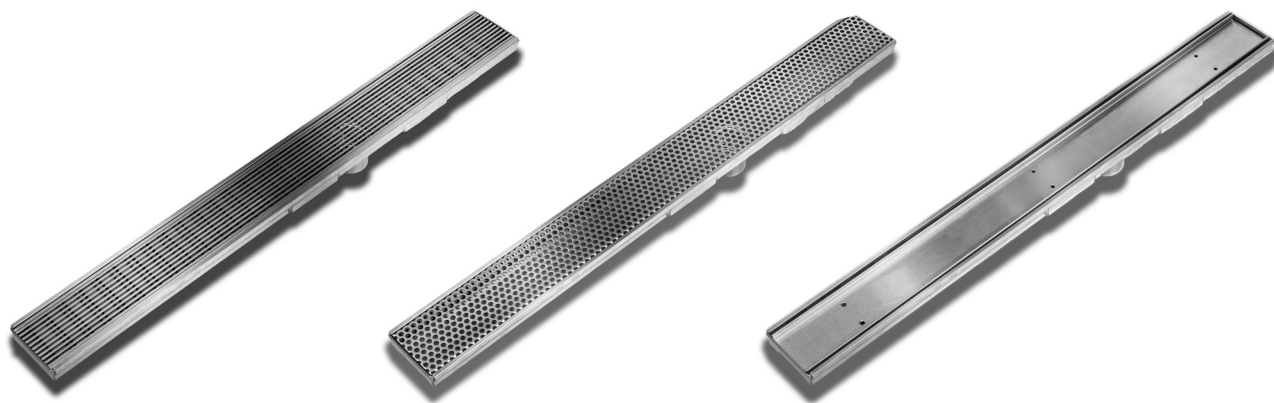
Corner needed when connecting two bases in a 90 degrees angle. (Corner accessory sold separately)

Features Adjustable Linear Drain

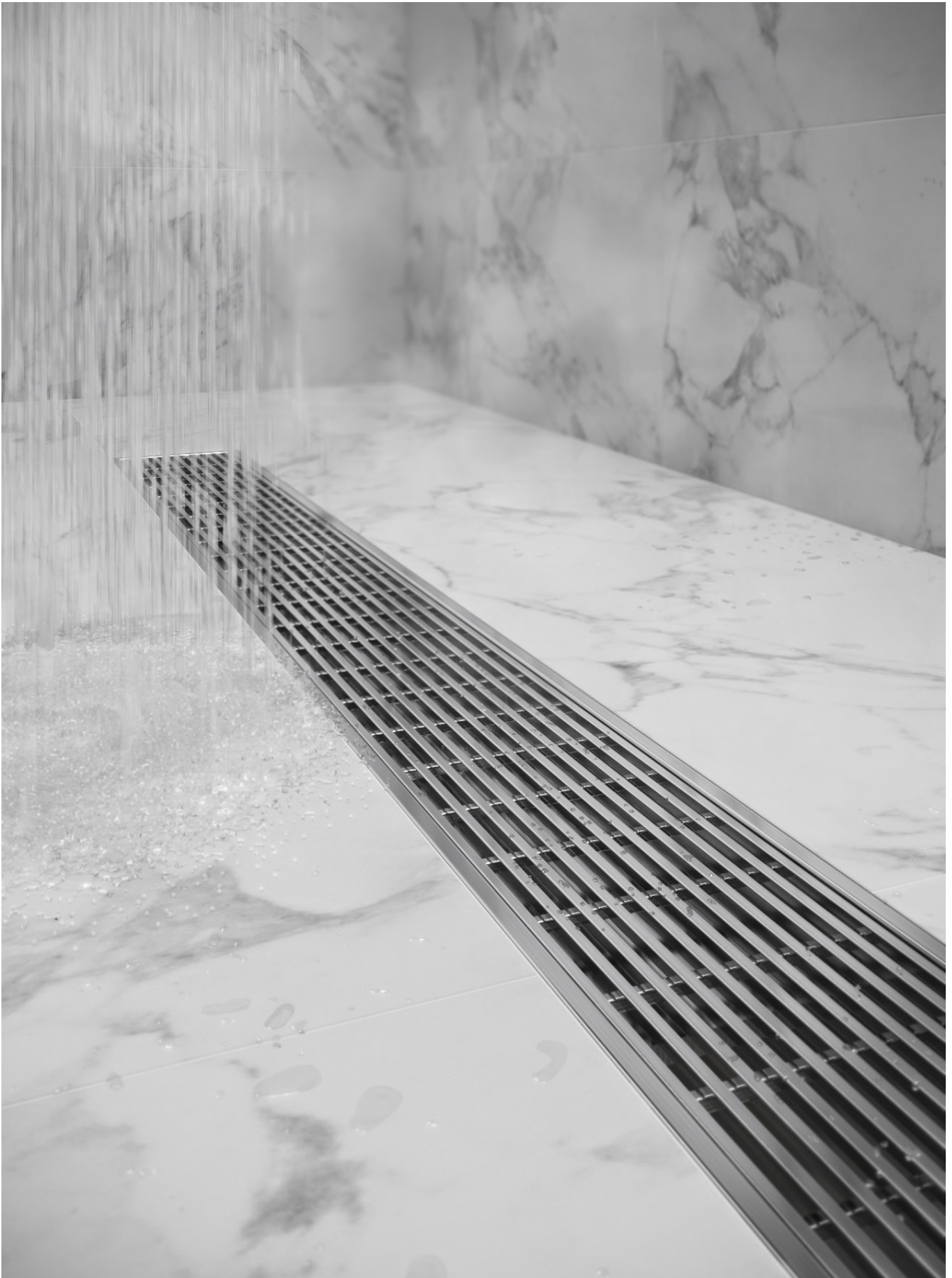
Wedgewire

Perforated

Mist



Delmar Series





Delmar Series Adjustable Linear Drain

Wedgewire Line

Influenced by naturally exposing forms and pushing raw materials beyond the wire



Kit Includes:

Base, Grate, Trim, Joiners, *2" Outlet or 3" High Flow Outlet, Threaded Nipple, Hair Strainer, Sikaflex Sealant, Adjustable Feet, Lifting Key and Stainless Steel Cutting Blade.



Finishes: Satin & Polished
Kit Sizes: 36", 48", 60", 72" & 96"

Stainless Steel Marine 316

Adjust length and position outlet on site.
Install with Standard waterproofing methods.

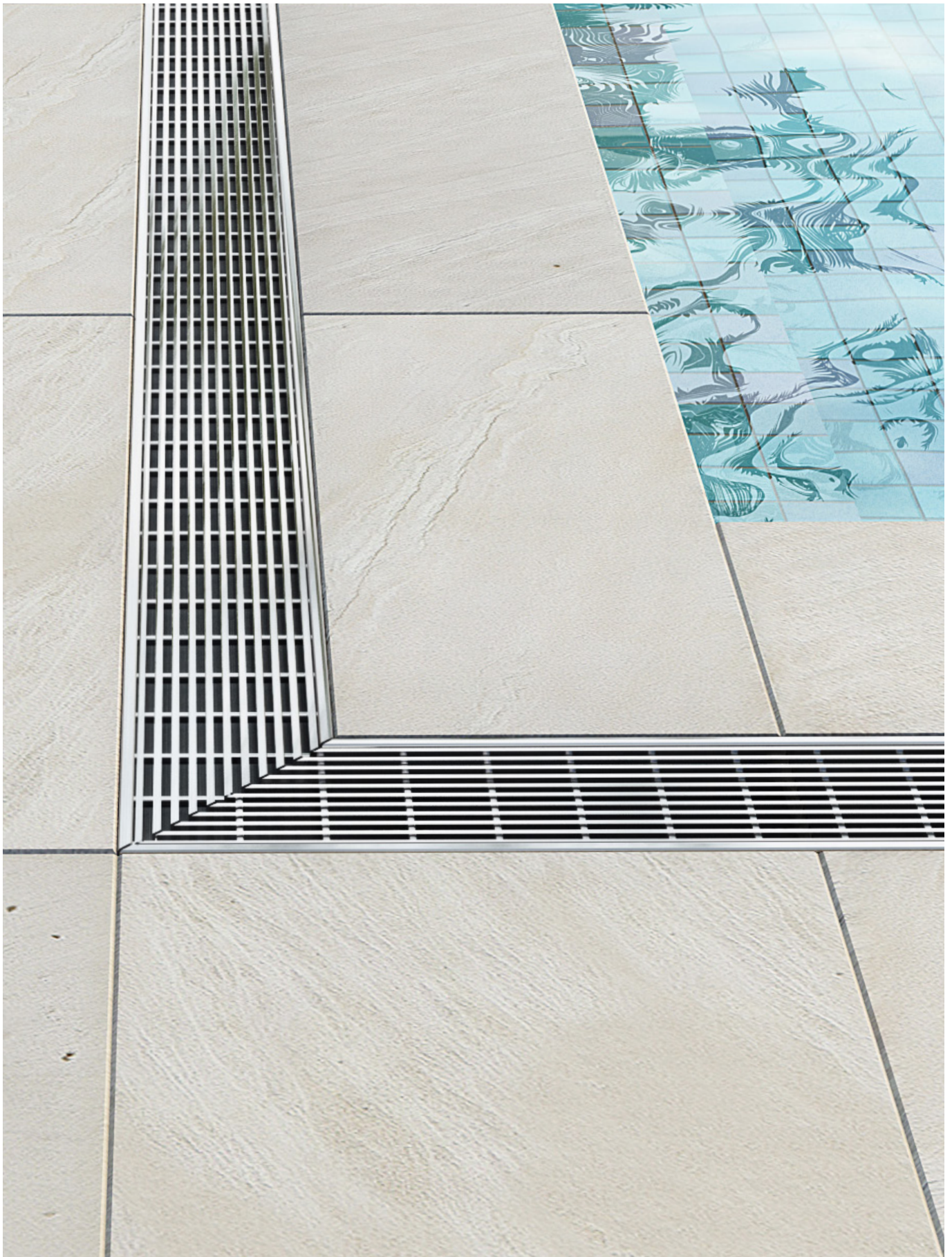
Adjustable Kit with 2" Outlet		Adjustable Kit with 3" High Flow Outlet		Size
SKU Satin	SKU Polished	SKU Satin	SKU Polished	
33.610.36	33.610.36P	33.610.36 HF	33.610.36P HF	36" x 3 3/8"
33.610.48	33.610.48P	33.610.48 HF	33.610.48P HF	48" x 3 3/8"
33.610.60	33.610.60P	33.610.60 HF	33.610.60P HF	60" x 3 3/8"
33.610.72	33.610.72P	33.610.72 HF	33.610.72P HF	72" x 3 3/8"
33.610.96	33.610.96P	33.610.96 HF	33.610.96P HF	96" x 3 3/8"



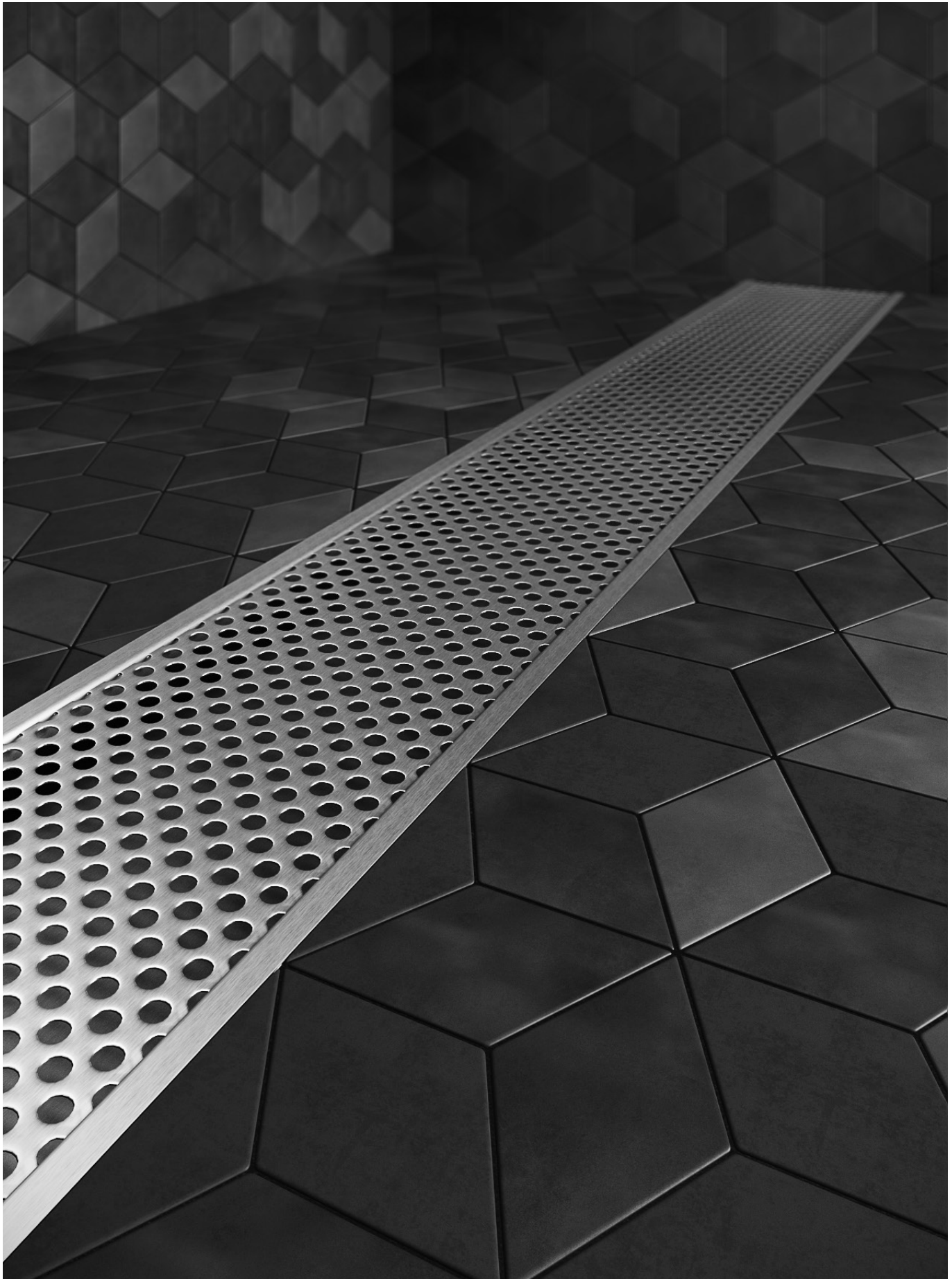
Note: Choose the kit with equal or greater size than the length wanted; for longer lengths drain connect kits to build the desire length.

Delmar Series Adjustable Linear Drain \QM29





Delmar Series Adjustable Linear Drain \QM31

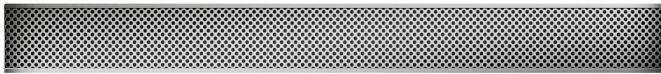




Delmar Series Adjustable Linear Drain

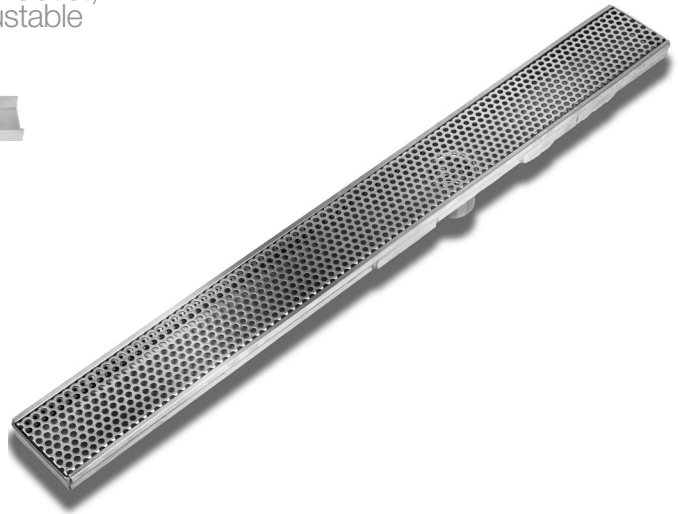
Perforated Line

Inspired by the thought of life connecting dots



Kit Includes:

Base, Grate, Trim, Joiners, *2" Outlet or 3" High Flow Outlet, Threaded Nipple, Hair Strainer, Sikaflex Sealant, Adjustable Feet, Lifting Key and Stainless Steel Cutting Blade.



Finishes: Satin & Polished
Kit Sizes: 36", 48", 60", 72" & 96"

Stainless Steel Marine 316
Adjust length and position outlet on site.
Install with standard waterproofing methods.

Adjustable Kit with 2" Outlet		Adjustable Kit with 3" High Flow Outlet		Size
SKU Satin	SKU Polished	SKU Satin	SKU Polished	
33.620.36	33.620.36P	33.620.36 HF	33.620.36P HF	36" x 3 3/8"
33.620.48	33.620.48P	33.620.48 HF	33.620.48P HF	48" x 3 3/8"
33.620.60	33.620.60P	33.620.60 HF	33.620.60P HF	60" x 3 3/8"
33.620.72	33.620.72P	33.620.72 HF	33.620.72P HF	72" x 3 3/8"
33.620.96	33.620.96P	33.620.96 HF	33.620.96P HF	96" x 3 3/8"



Note: Choose the kit with equal or greater size than the length wanted; for longer lengths drain connect kits to build the desire length.

Delmar Series Adjustable Linear Drain \QM33





Delmar Series Adjustable Linear Drain \QM35





Delmar Series Adjustable Linear Drain

MistLine

A tribute to the way water disguises everything around us in nature.

Tile-In



Kit Includes:

Base, Grate, Trim, Joiners, *2" Outlet or 3" High Flow Outlet, Threaded Nipple, Hair Strainer, Sikaflex Sealant, Adjustable Feet, Lifting Key and Stainless Steel Cutting Blade.



Finishes: Satin & Polished
Kit Sizes: 36", 48", 60", 72" & 96"

Stainless Steel Marine 316
Adjust length and position outlet on site.
Install with standard waterproofing methods.

Adjustable Kit with 2" Outlet		Adjustable Kit with 3" High Flow Outlet		Size
SKU Satin	SKU Polished	SKU Satin	SKU Polished	
33.630.36	33.630.36P	33.630.36 HF	33.630.36P HF	36" x 3 3/8"
33.630.48	33.630.48P	33.630.48 HF	33.630.48P HF	48" x 3 3/8"
33.630.60	33.630.60P	33.630.60 HF	33.630.60P HF	60" x 3 3/8"
33.630.72	33.630.72P	33.630.72 HF	33.630.72P HF	72" x 3 3/8"
33.630.96	33.630.96P	33.630.96 HF	33.630.96P HF	96" x 3 3/8"



Note: Choose the kit with equal or greater size than the length wanted; for longer lengths drain connect kits to build the desire length.

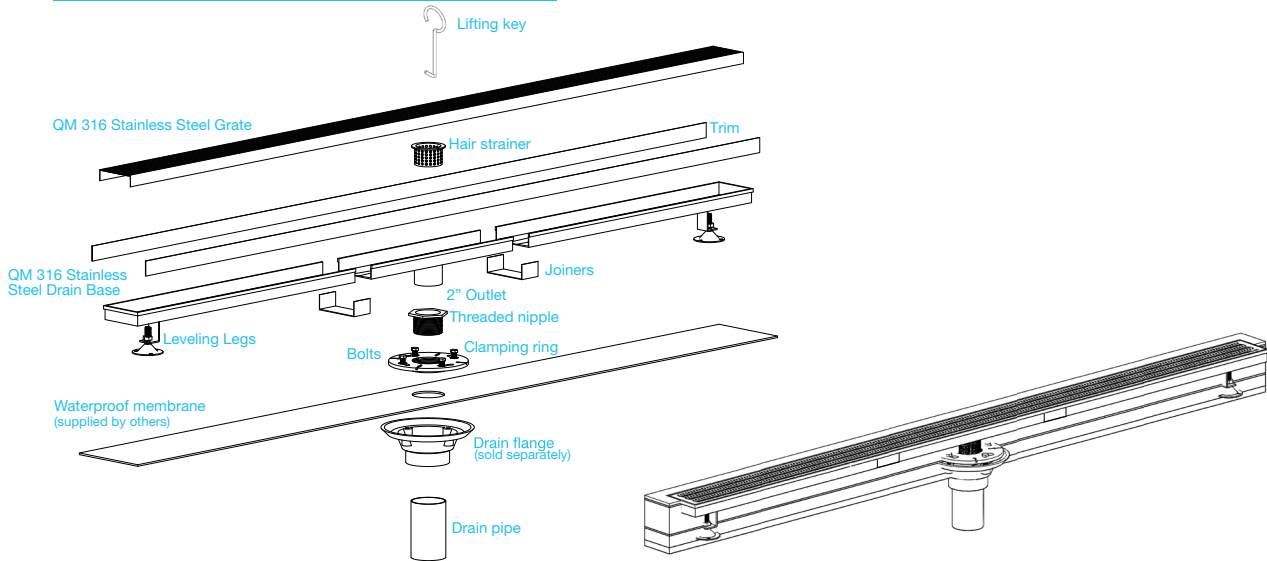
Delmar Series Adjustable Linear Drain \QM37

Technical Information



Delmar Linear Drain Adjustable 2" Outlet

Installation

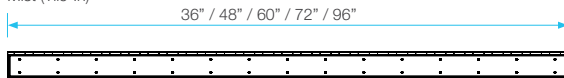


Specifications

Drain Grate - Top View:
Wedge wire



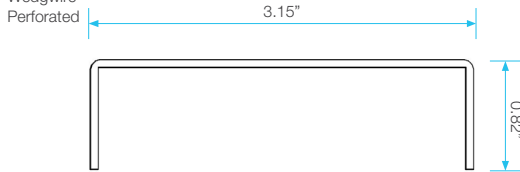
Drain Grate - Top View:
Mist (Tile-In)



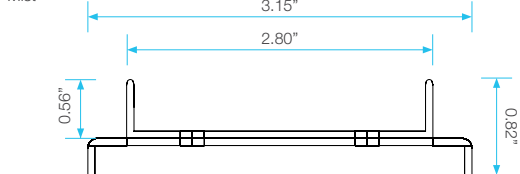
Drain Grate - Top View:
Perforated



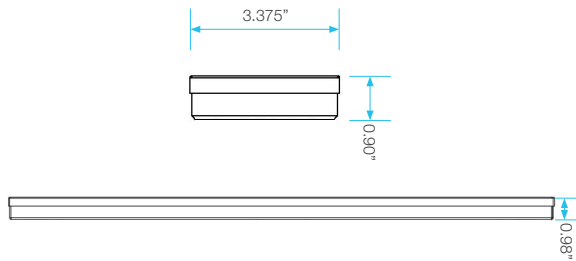
Drain Grate - Side View:
Wedge wire



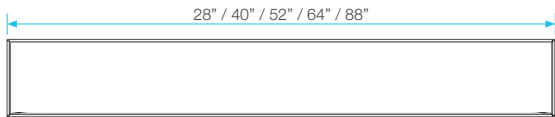
Drain Grate - Side View:
Mist



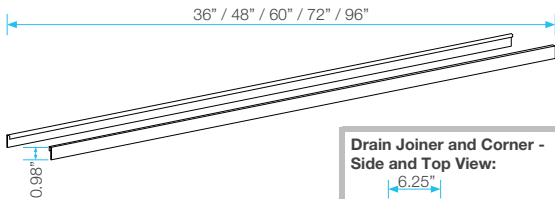
Drain Base - Side View:



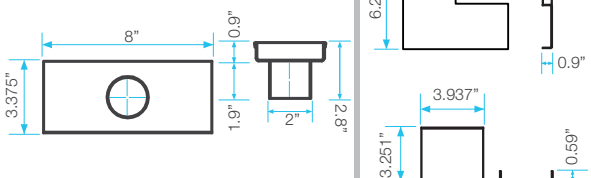
Drain Base - Top View:



Drain Trim - Side View:



Drain 2" Outlet - Side and Top View:



Note: Installer must verify all rough-in dimensions prior to installation and consult local and national codes. Conformity and compliance to local and national codes are the responsibility of the installer. Dimensions are subject to Manufacturers tolerance and change without notice. We can assume no responsibility for use of superseded or void data.

Delmar Linear Drain Adjustable 2" Outlet

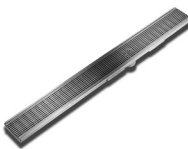
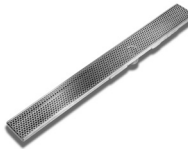

Delmar Series Features

- 16 gauge 316 Stainless Steel Grate = 1.5 mm
- 18 gauge 316 Stainless Steel Base = 1.2 mm
- Works with 2" ABS, PVC or Cast Iron shower drain flange (not included)
- Grate can be removed completely for cleaning
- Hair Strainer Basket comes with every drain, fits inside the drain to collect hair and other debris, preventing pipe clogs
- Standard Finish: Satin and Polished
- Delmar Series is intended for use with traditional waterproofing methods

Kit includes

- Grate
 - Base
 - Trim
 - Joiner
 - Outlet
 - Threaded nipple
 - Hair Strainer
 - Lifting Key
 - Leveling Legs
 - Sikaflex Sealant
- * **Note:** 72" and *96" Kit includes two outlets, two hair strainers, two pair of joiners and two adapters.
* 96" Wedgewire Kit has two 48" grates.
* Choose the kit with equal or greater size than the length wanted; for longer lengths drain connect kits to build the desire length.

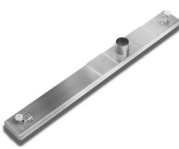
Adjustable Complete Kit

SKU	Size	SKU	
		Satin Finish	Polished Finish
Wedgewire			
	36"	33.610.36P	33.610.36P
	48"	33.610.48P	33.610.48P
	60"	33.610.60P	33.610.60P
	72"	33.610.72P	33.610.72P
	96"	33.610.96P	33.610.96P
Perforated			
	36"	33.620.36P	33.620.36P
	48"	33.620.48P	33.620.48P
	60"	33.620.60P	33.620.60P
	72"	33.620.72P	33.620.72P
	96"	33.620.96P	33.620.96P
Mist (Tile-In)			
	36"	33.630.36P	33.630.36P
	48"	33.630.48P	33.630.48P
	60"	33.630.60P	33.630.60P
	72"	33.630.72P	33.630.72P
	96"	33.630.96P	33.630.96P

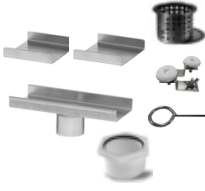

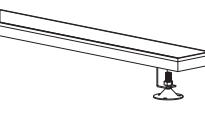
Adjustable Grate Only

SKU	Size	SKU	
		Satin Finish	Polished Finish
Wedgewire (Grate Only)			
	36"	33.G610.36P	33.G610.36P
	48"	33.G610.48P	33.G610.48P
	60"	33.G610.60P	33.G610.60P
	72"	33.G610.72P	33.G610.72P
Perforated (Grate Only)			
	36"	33.G620.36P	33.G620.36P
	48"	33.G620.48P	33.G620.48P
	60"	33.G620.60P	33.G620.60P
	72"	33.G620.72P	33.G620.72P
	96"	33.G620.96P	33.G620.96P
Mist (Tile-In. Grate Only)			
	36"	33.G630.36P	33.G630.36P
	48"	33.G630.48P	33.G630.48P
	60"	33.G630.60P	33.G630.60P
	72"	33.G630.72P	33.G630.72P
	96"	33.G630.96P	33.G630.96P

Adjustable Base Kit:

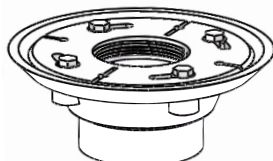
SKU	Size
Kit (without grate)	
	36"
	48"
	60"
	72"
	96"

Adjustable Parts:

	Accessories Kit [2" Outlet]	33.601.A
	Corner Connector Kit	33.601.C
	Base (Only)	
	33.600.28	28"
	33.600.40	40"
	33.600.52	52"
	33.600.64	64"
	33.600.88	88"

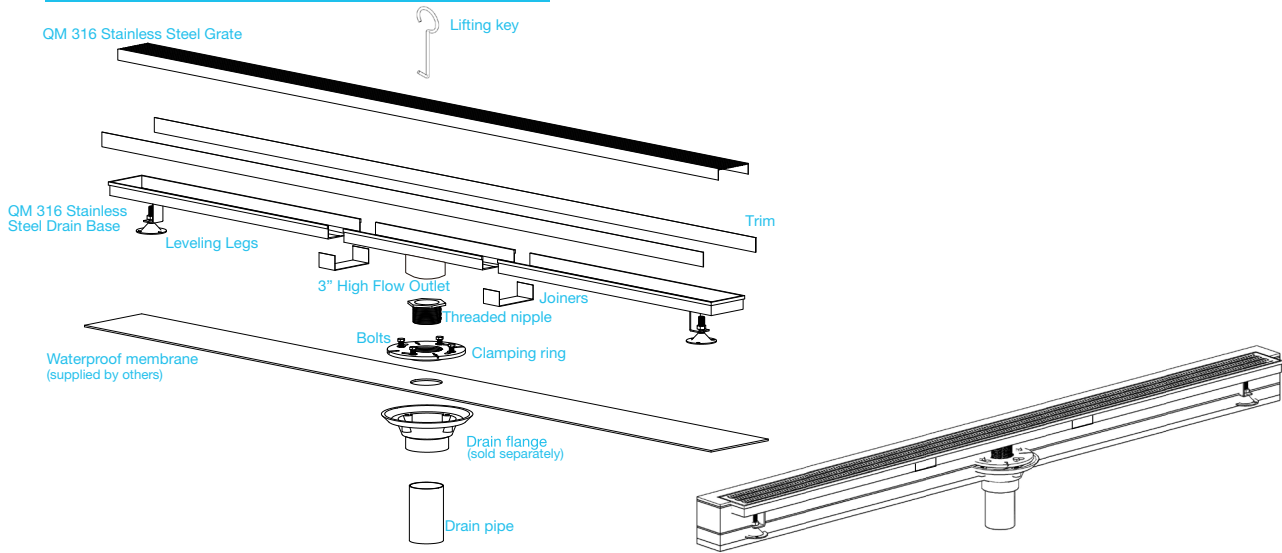
Add to Kit

- Drain Flange:
- PVC SKU: 83.100.00 PVC
 - ABS SKU: 83.100.00 ABS
 - Cast Iron No hub: 83.100.01
 - Cast Iron FIP: 83.100.01F



Delmar Linear Drain Adjustable 3" High Flow Outlet

Installation

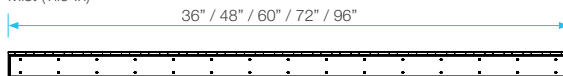


Specifications

Drain Grate - Top View:
Wedge wire



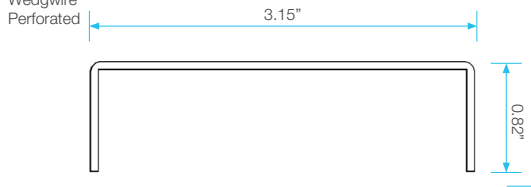
Drain Grate - Top View:
Mist (Tile-In)



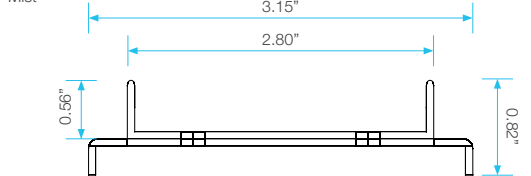
Drain Grate - Top View:
Perforated



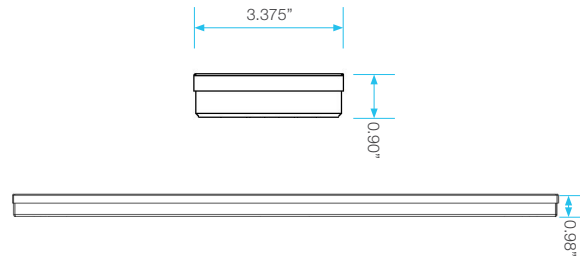
Drain Grate - Side View:
Wedge wire
Perforated



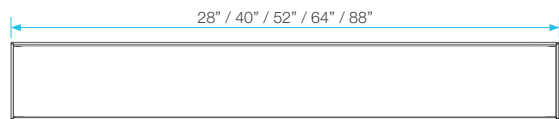
Drain Grate - Side View:
Mist



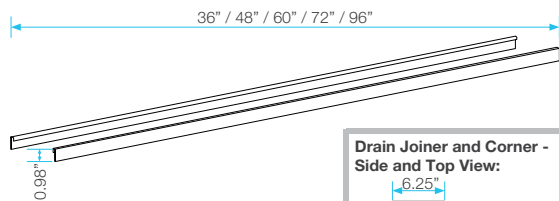
Drain Base - Side View:



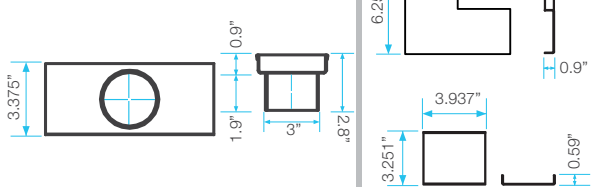
Drain Base - Top View:



Drain Trim - Side View:



Drain 2" and 3" Outlet - Side and Top View:



Note: Installer must verify all rough-in dimensions prior to installation and consult local and national codes. Conformity and compliance to local and national codes are the responsibility of the installer. Dimensions are subject to Manufacturers tolerance and change without notice. We can assume no responsibility for use of superseded or void data.

Delmar Linear Drain Adjustable 3" High Flow Outlet

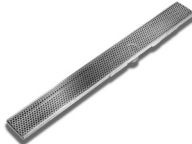
Delmar Series Features

- 16 gauge 316 Stainless Steel Grate = 1.5 mm
- 18 gauge 316 Stainless Steel Base = 1.2 mm
- Works with 3" ABS, PVC or Cast Iron shower drain flange (not included)
- Grate can be removed completely for cleaning
- Standard Finish: Satin and Polished

Kit includes


- Grate
 - Base
 - Trim
 - Joiner
 - Outlet
 - Threaded nipple
 - Lifting Key
 - Leveling Legs
 - Sikaflex Sealant
- * **Note:** 72" and *96" Kit includes two outlets, two pair of joiners and two adapters.
 * 96" Wedgewire Kit has two 48" grates.
 * Choose the kit with equal or greater size than the length wanted; for longer lengths drain connect kits to build the desire length.

Complete Kit

	SKU	Size	SKU
	Satin Finish		Polished Finish
	Wedgewire		
	33.610.36 HF	36"	33.610.36P HF
	33.610.48 HF	48"	33.610.48P HF
	33.610.60 HF	60"	33.610.60P HF
	33.610.72 HF	72"	33.610.72P HF
	33.610.96 HF	96"	33.610.96P HF
	Perforated		
	33.620.36 HF	36"	33.620.36P HF
	33.620.48 HF	48"	33.620.48P HF
	33.620.60 HF	60"	33.620.60P HF
	33.620.72 HF	72"	33.620.72P HF
	33.620.96 HF	96"	33.620.96P HF





SKU	Size
Satin Finish	
	Mist (Tile-In)
33.630.36 HF	36"
33.630.48 HF	48"
33.630.60 HF	60"
33.630.72 HF	72"
33.630.96 HF	96"

Adjustable Kit:

SKU	Size
Kit (without grate)	
	Kit (without grate)
33.B600.36 HF	36"
33.B600.48 HF	48"
33.B600.60 HF	60"
33.B600.72 HF	72"
33.B600.96 HF	96"

Adjustable Parts

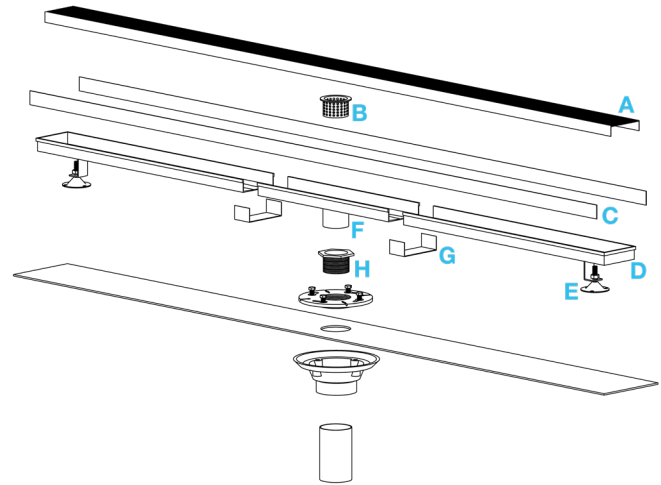
	SKU	Size	SKU
	Satin Finish		Polished Finish
	Wedgewire (Grate Only)		
	33.G610.36 HF	36"	33.G610.36P HF
	33.G610.48 HF	48"	33.G610.48P HF
	33.G610.60 HF	60"	33.G610.60P HF
	33.G610.72 HF	72"	33.G610.72P HF
	Perforated (Grate Only)		
	33.G620.36 HF	36"	33.G620.36P HF
	33.G620.48 HF	48"	33.G620.48P HF
	33.G620.60 HF	60"	33.G620.60P HF
	33.G620.72 HF	72"	33.G620.72P HF
	33.G620.96 HF	96"	33.G620.96P HF

SKU	Size
Satin Finish	
	Mist (Tile-In, Grate Only)
33.G630.36 HF	36"
33.G630.48 HF	48"
33.G630.60 HF	60"
33.G630.72 HF	72"
33.G630.96 HF	96"
	Accessories Kit [3" Outlet]
33.601.B	
	Corner Connector Kit
33.601.C	
	Base (Only)
33.600.28	28"
33.600.40	40"
33.600.52	52"
33.600.64	64"
33.600.88	88"

Installation Instruction



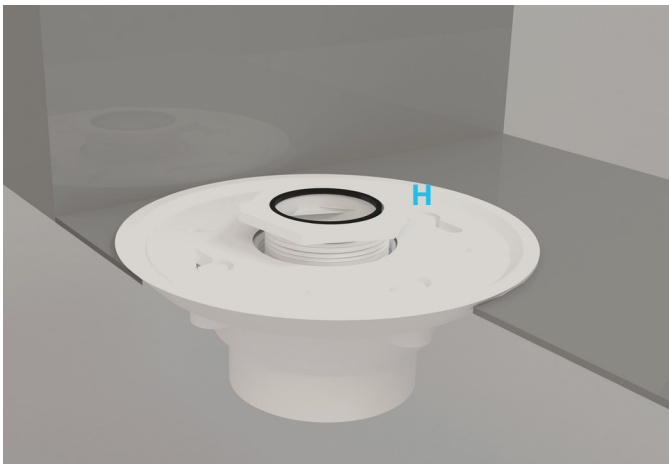
- I.** Determine where the drain will be positioned, frame out shower surround as required.
- II.** Connect drain flange body to the drain pipe, leaving drain bolts in place. Cover the drain opening to prevent floor mortar blocking pipe work.
- III.** Trowel mortar onto subfloor, pitch at a 1/4" per foot slope in direction towards the shower base.
- IV.** Install waterproof membrane, reinforce around outlet and cut carefully to expose heads of drain bolts and outlet. Install clamping ring.
- V.** Test membrane for leaks.
- VI.** Screw threaded nipple into the drain flange, adjust to desired height **H**.



Kit Sizes: 36", 48", 60", 72" & 96"

Kit Includes:

- (A) QM 316 Stainless Steel Grate
 - (B) Hair Strainer
 - (C) Trim
 - (D) QM 316 Stainless Steel Drain Base
 - (E) Leveling Legs
 - (F) Outlet
 - (G) Joiners
 - (H) Threaded Nipple / Adapter
- + Key + Sikaflex Sealant + Stainless Steel Cutting Blade

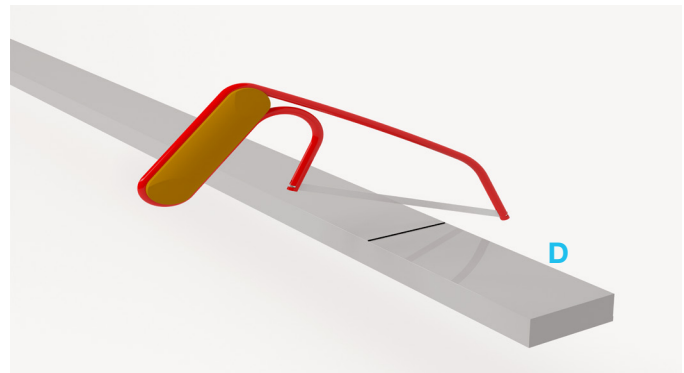


- VII.** Calculate finished drain length, allowing for wall & tile thickness and 8" for the outlet section **F**. For full drain length, cut the channel where the center of the outlet section **F** will be placed. For shorter length, remove equal amounts (half of total amount to be removed) from each cut of channel. (Example: if 4" needs to be removed, cut 2" from each side **D**)

TOOL: Use enclosed Stainless Steel cutting blade or a Handheld Hacksaw with 32 TPI for cleanest cut

TIPS:

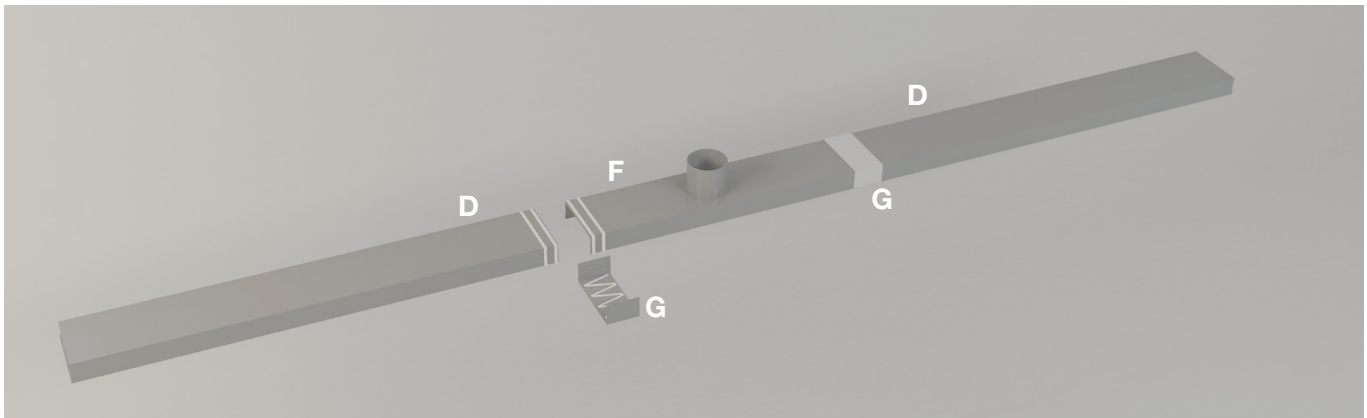
- a)** Draw a straight line on the back of the channel where the cut will be made
- b)** Clamp channel to stable, level surface for cutting
- c)** Apply WD-40 lubricant for ease of sawing
- d)** Cut drain channel at 45 degree angles. Use a 30 degree angle on corners
- e)** Gently file edges with a carpenter file
- f)** Do not bend or pull away pieces being cut from channel, allow cut pieces to fall away



VIII. Clean all parts. On a flat, stable surface, align the cut ends of the channel with the outlet section **F**. To join the channel pieces **D** to the outlet **F**, attach joiner strips **G** to the underside of the seams, using provided Sikaflex 1A construction sealant. Remove any Sikaflex spill over. Allow to dry minimum of 8 hours before handling.

TIPS:

a) Use Denatured Alcohol to clean



IX. Apply Sikaflex 1A sealant to trim **C** pieces and fit them onto the longer outer edge of the channel **D**. Remove any Sikaflex spill over. Allow to dry minimum of 8 hours before handling.

TIPS: Cover the inside of the base with blue painter tape to avoid staining the base with sealant residual.

X. Place the drain channel into the threaded nipple **H**. Use the adjustable feet **E** to keep the drain channel into the correct position and level.

XI. Trowel mortar to required height

XII. Once floor mortar has cured, apply thin set and install tile and grout

XIII. Place the grate into the channel. Note: the grate might need to be cut to fit inside the channel easily.

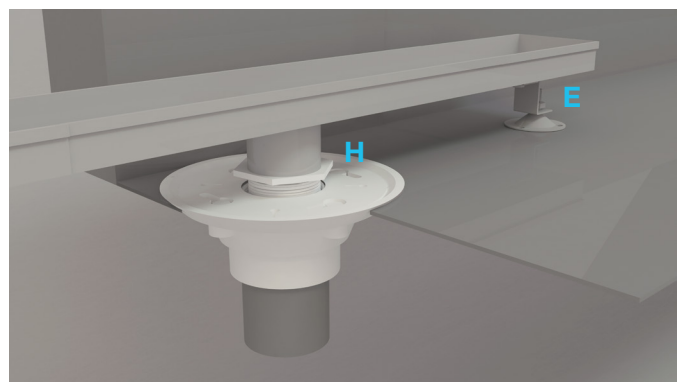
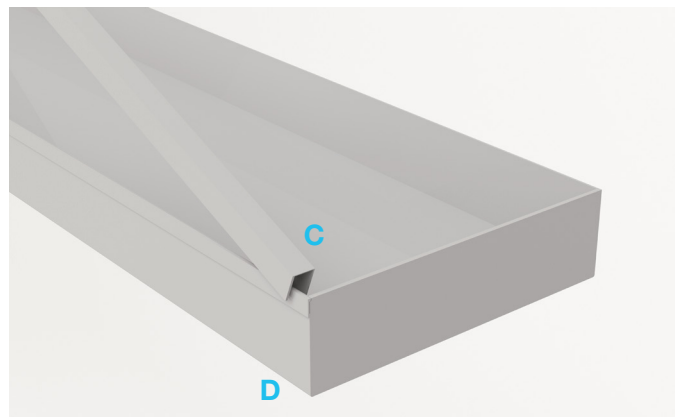
* For Mist: Spread a layer of mortar into the grate, allowing for thinset and material to finish flush with metal frame.

TIPS:

TOOL: Use enclosed Stainless Steel cutting blade or a Handheld Hacksaw with 32 TPI for cleanest cut

TIPS:

- a)** Draw a straight line where the cut will be made
- b)** Clamp grate to stable, level surface for cutting
- c)** Apply WD-40 lubricant for ease of sawing
- d)** Cut drain channel at 45 degree angle
- e)** Gently file edges with a carpenter file
- f)** Do not bend or pull away cut sections, allow them to fall away



Note:

- Hair Strainer basket fits inside the drain to collect hair and other debris preventing pipe clogs. Empty basket as needed to maintain optimal performance. The use of the basket is optional.
- Waterproof membrane shall be installed and tested per manufacturer's instructions and local building and plumbing codes.
- **QM** recommends this product to be installed by a licensed contractor.
- **QM Drain** fits into most common 2" ABS, PVC or Cast Iron shower drain flange.
- Lifting key assists with grate removal.
- Failure to achieve adequate floor slope will result in standing water problems or slow water flow.

www.qmdrain.com



info@qm-us.com



QM USA, Corp.
2570 N Powerline Road #503
Pompano Beach FL, USA 33069
P: 954 773 9450