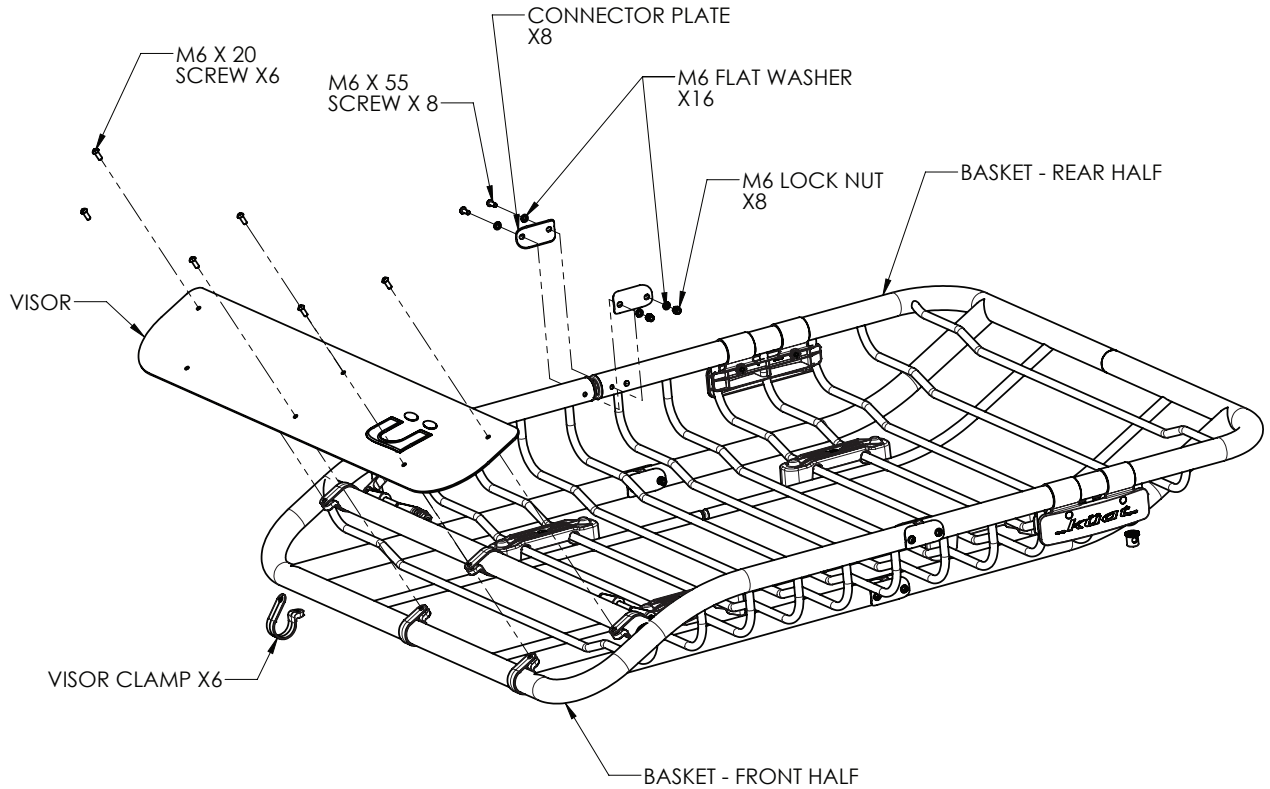
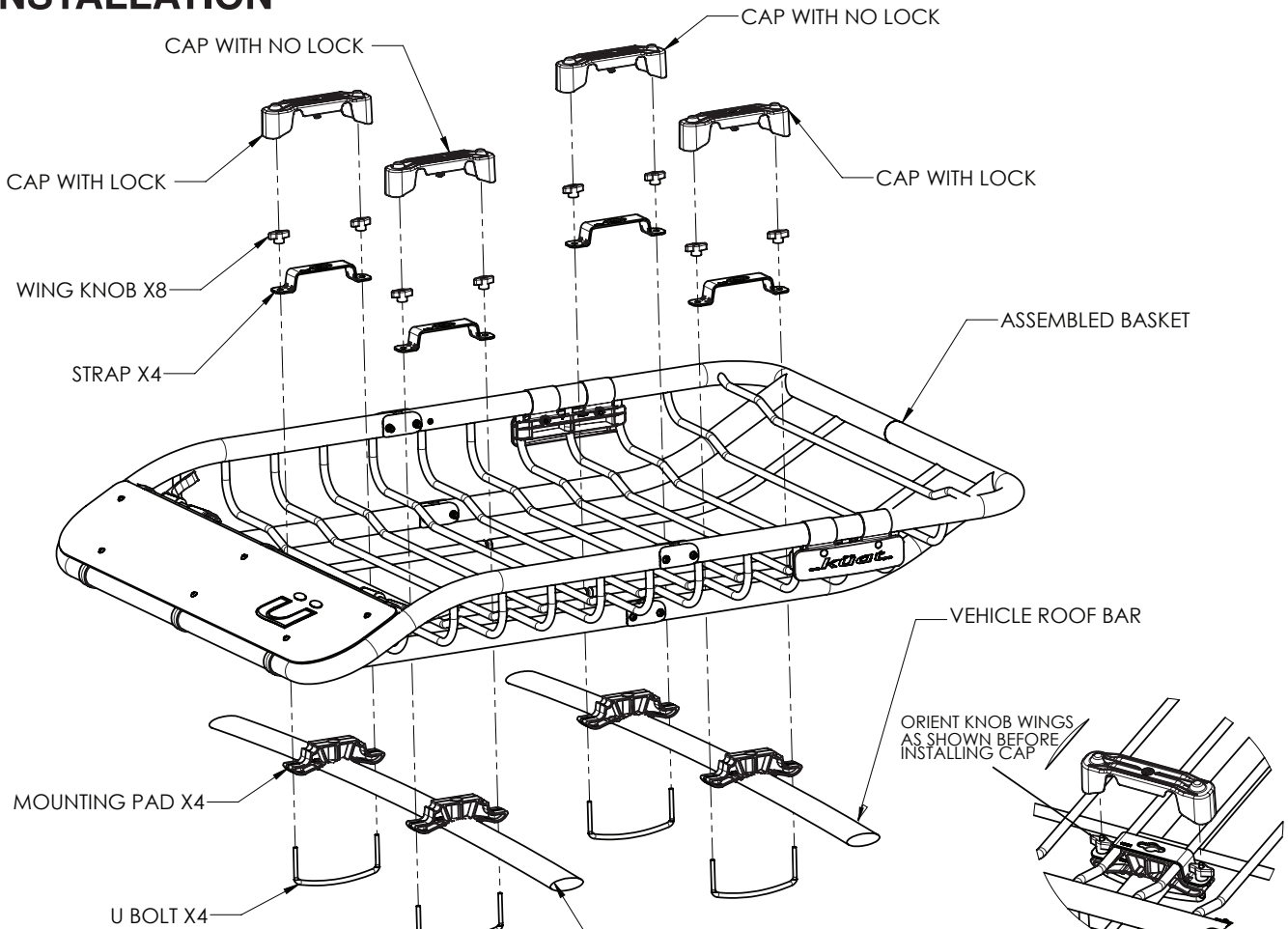


ASSEMBLY

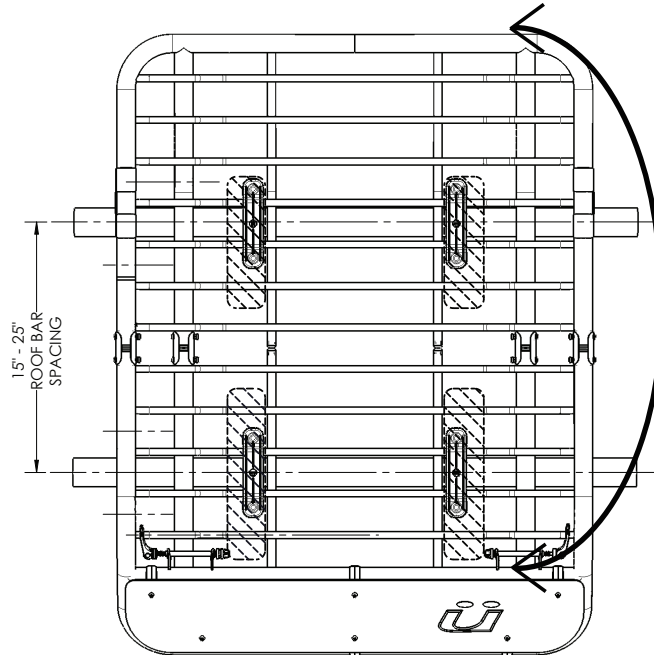


INSTALLATION



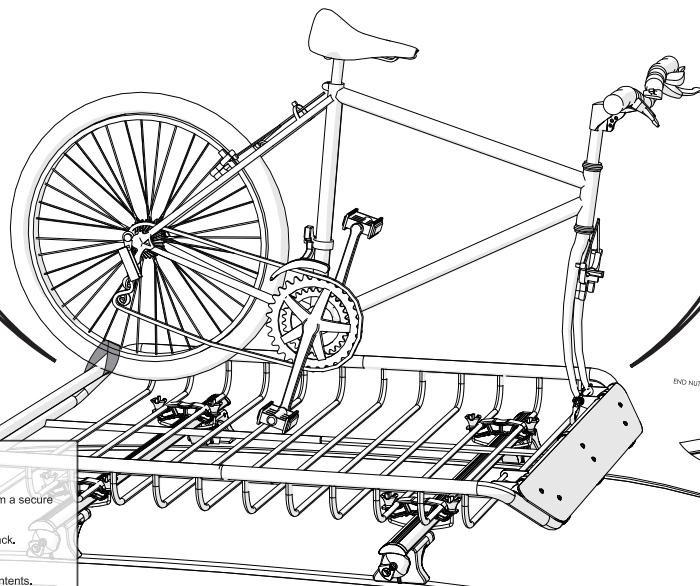
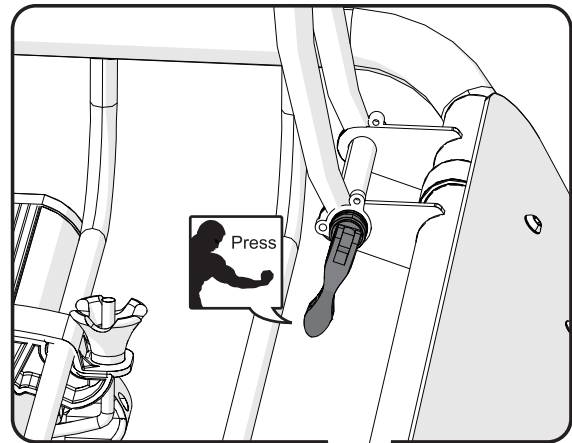
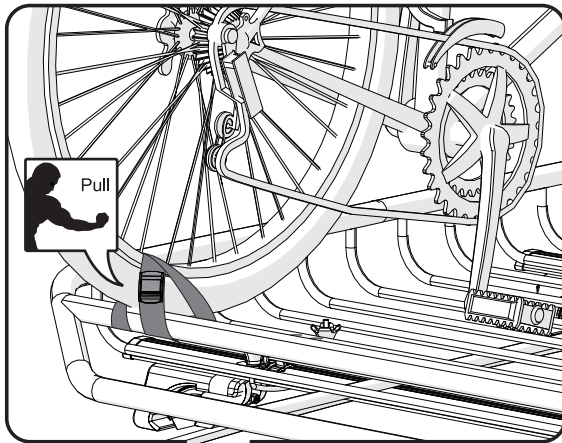
ACCESSORY MOUNTS

Mount roof accessories directly to basket cross bars

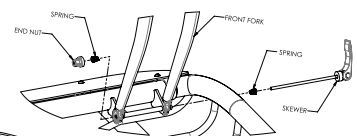


Visor will need to be pivoted down to mount to front bar. Remove top 3 visor clamps to pivot. Visor will stay attached to basket.

MOUNTING BIKE



SKEWER INSTALL



California Proposition 65 Warning:

Warning: This Product May Contain Chemicals Known To The State of California To Cause Cancer, or Birth Defects or Other Reproductive Harm.

This product complies with all state and federal product safety standards.

IMPORTANT INFORMATION

Periodically check condition of basket and hardware to confirm a secure installation. Basket should **not** slide on the roof bars.

Use caution when opening back glass to avoid contact with rack.

Maximum bicycle weight 18kg (40lb) each.

Full load rating 63kg (140lb). Includes bicycles and basket contents.

Do **not** off road with bikes, or any other load. Distribute load evenly.

Always properly secure load and follow all applicable laws.

Automatic car washes should be avoided to prevent damage to rack.

* The Vagabond pictured. Same bike mounting protocol with Vagabond X.