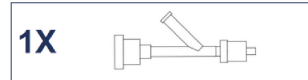
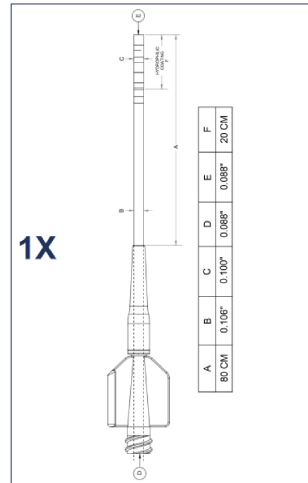




**BALLAST**  
LONG SHEATH  
with Hydrophilic Coating

6F 088



REF BALLAST80 BALLAST  
LOT 1234567 LONG SHEATH

REF BALLAST80 BALLAST  
LOT 1234567 LONG SHEATH

REF BALLAST80 BALLAST  
LOT 1234567 LONG SHEATH

REF BALLAST80 BALLAST  
LOT 1234567 LONG SHEATH

Rx Only

REF BALLAST80  
LOT 1234567

2018-10 2019-09

Balt USA, LLC  
29 Parker  
Irvine, CA 92618  
United States of America  
+1-949-788-1443

Embo-Flüssigkeiten A.G.  
Route des Anvoillons 30  
CH-1196 Gland  
Switzerland

CE0297 LB-0062 REV A

NOTES:

1. LABEL SHALL BE PRINTED ON LABEL STOCK PART NUMBER 100246.
2. LABEL SHALL PRINT WITH NO SMEARS, SMUDGES, OR VOIDS.
3. PRINTING SHALL BE ALIGNED WITH THE EDGES OF THE LABEL.
4. THE "LOT" FIELD SHALL MATCH THE LOT PER CURRENT WORK ORDER.
5. VERIFY THE "REF" FIELD MATCHES THE MODEL NUMBER.

UNLESS OTHERWISE SPECIFIED:  
DIMENSIONS ARE IN INCHES  
TOLERANCES

DECIMALS	ANGULAR
.X ±.1	±1°
.XX ±.01	
.XXX ±.002	
.XXXX ±.0005	

DO NOT SCALE DRAWING

DRAWN BY:  
**J. LE**

DATE  
12/22/17

**Balt USA**  
CONFIDENTIAL

THIS DRAWING CONTAINS INFORMATION OF A CONFIDENTIAL AND/OR PROPRIETARY NATURE. NEITHER THIS DRAWING NOR ANY OF THE INFORMATION CONTAINED HEREIN MAY BE REPRODUCED, USED, OR DISCLOSED TO ANY OTHER PERSON OR ENTITY WITHOUT EXPRESS WRITTEN CONSENT.

DESCRIPTION:  
**BALLAST80 LABEL**

PRT/DWG NO: <b>LB-0062</b>	REV: <b>A</b>
-------------------------------	------------------

SCALE:	SHEET: <b>1 of 1</b>
--------	-------------------------