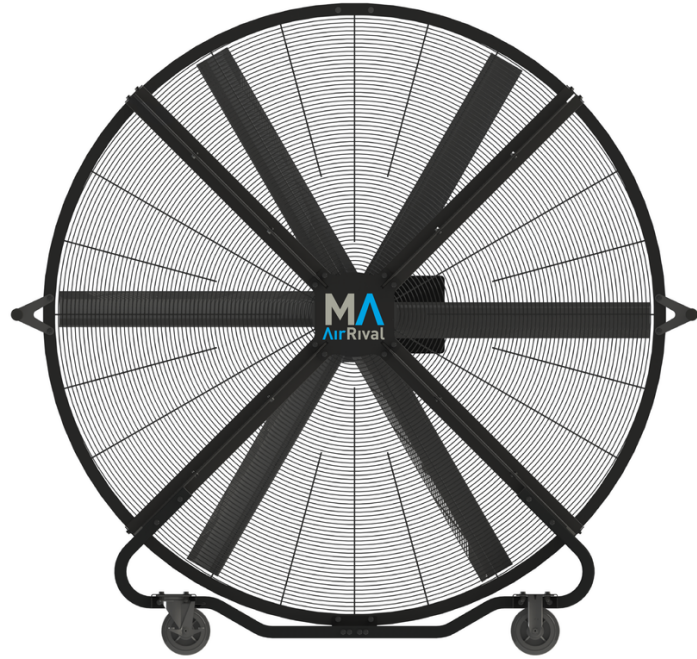


AirRival

Unrivaled Air - Anywhere

Navigate unrivaled air - anywhere. The 6 ft AirRival delivers effortless airflow - conveniently and calmly to you and your peeps. Just plug it in, and simply ENJOY!



Features

Integrated gear motor

Plugs into standard outlet (110-120 V)

6 clearcoat anodized airfoil blades

4" durable swivel casters and easy grip handles

Analog controller

Slim, sturdy steel cage and frame

Benefits

Durability and reliability in harsh conditions

Quick and simple set-up

Indoor/outdoor use

Easy maneuverability

Easily control variable speed and direction

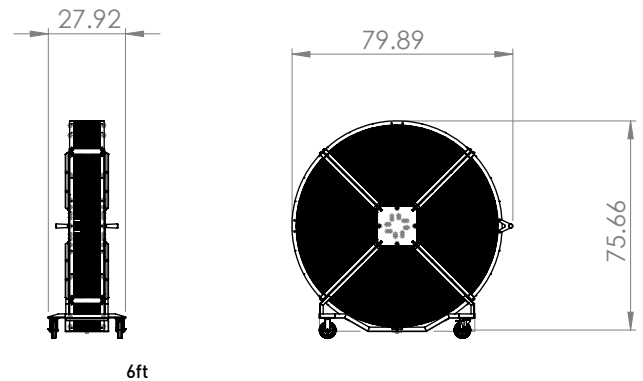
Fits through standard door frame

MacroAir AirRival

Navigate unrivaled air - anywhere. The 6 ft AirRival delivers effortless airflow - conveniently and calmly, just plug it in, and simply enjoy. Boasting powerful anodized aluminum blades and a 3/8 horsepower gear motor, this fan delivers impressive air movement directly where you want it when you want it. The AirRival's powder-coated cage and robust frame allow you to easily transport this fan with confidence, while its sturdy casters and gripped handles make it surprisingly easy to maneuver. Perfect for sporting events, hard-to-reach dead spots in your current HVAC system, or just wheeled around the shop with you, it brings maximum comfort wherever it rolls.



- 3/8 HP AC induction industrial gearmotor
- Clearcoat anodized aluminium blades
- Forward, reverse, variable speed
- 10 ft input power cable with pre-wired 110-120V plug
- OSHA Compliant Cage
- ETL/Intertek Listing Pending
- Designed to fit inside most enclosed trailers for even further mobility



AIRFOIL DIAMETER

Airfoil Style	4.5" Extruded Anodized Aluminum Airfoil
Number of Airfoils	6

PERFORMANCE

Max Speed	250 RPM
Max Throw	120 ft [36 m]

WEIGHT CONSIDERATIONS

Weight	381 lb [173 kg]
Max Torque	5.8 ft lb [7.86 Nm]

MOTOR AND DRIVE TRAIN

Motor Type	AC Induction Gearmotor
Horsepower Rating	3/8 HP
Max Operating Temp	104 F° [40C°]

MAX AMP DRAW

120V VAC Single Phase	6.8A
-----------------------	------

POWER AND CONTROLS

Power Source	110V-120V Plug
Controls	Analog Speed and Direction Control on Fan Unit

RATINGS AND COMPLIANCE

Washdown Rating	IP55 (motor)*
-----------------	---------------

*Washdown rating is for fan unit only. Proper ingress protection must be added to receptacle to achieve full washdown rating.

