

HVLS  
WINDEPENDENCE



# Sirocco Series



**Sirocco** is the portable and handy fan that allows several applications in commercial and industrial environments.

Designed to be handled by a single person with low consumption and low noise thanks to the moto-inverter. Moreover it's very easy to install (plug & play). The four pneumatic wheels guarantee maneuverability on any terrain and a flexible use, making it an effective machine for cooling any indoor and outdoor environment.

## KEY FEATURES

### DIAMETERS

6 feet  
Blade Design Selig

### MOTOR

IP65 brushless  
motor-inverter with  
remote control

### MANOVRABILITY

Inside or outside with  
pneumatic wheels and  
ergonomic handles

### CUSTOMIZATION

Water Transfer Printing /  
Painting on demand

### APPLICATIONS

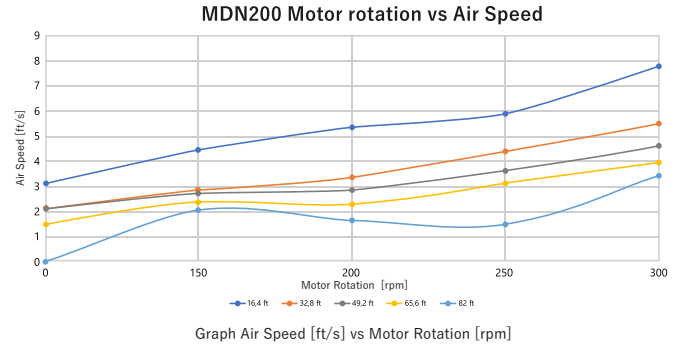
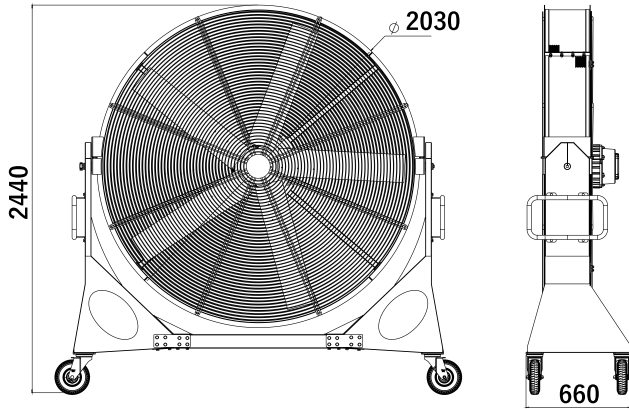
Industrial, Commercial,  
Agriculture



1225 North Loop West Suite 450  
Houston, Texas 77008 USA  
Toll Free Phone: (800) 520-7133

[www.fan-tastic.co](http://www.fan-tastic.co)

# Sirocco Series



Model	Diameter (ft)	Weight Installed (lbs)	Max. Speed (rpm)	Consumption Max. (Kw)	Current Max. (A)	Noise Level (dBA)
MDN2000	6	425	300	0,30	0,91	< 60

Power Supply for all models 200-480V Three-phase 50/60 Hz

## Control Units

<p>For Industrial Applications</p>	<p>For Zootechnics Applications</p>	<p>Advanced control Unit Touch Screen for every kind of sector/application</p>
------------------------------------	-------------------------------------	--