



## The electrical panel reimagined

SPAN Panel smart electrical panel | \$4500\*

\*Does not include taxes, shipping, and installation.

[Get SPAN](#)



Beautiful.  
Inside & out.



**10-year warranty**

Subject to terms and conditions. See full Limited Warranty for details.



**Durability**

Designed for indoor/outdoor placement and built to last.



**Expert support**

Available Monday - Friday, 8am - 5pm PT to help with questions.

# Connected & Ready

[Explore App](#)

[Support](#)

Explore App



Connects by wired ethernet



WiFi enabled for flexibility



Cellular if your internet is down

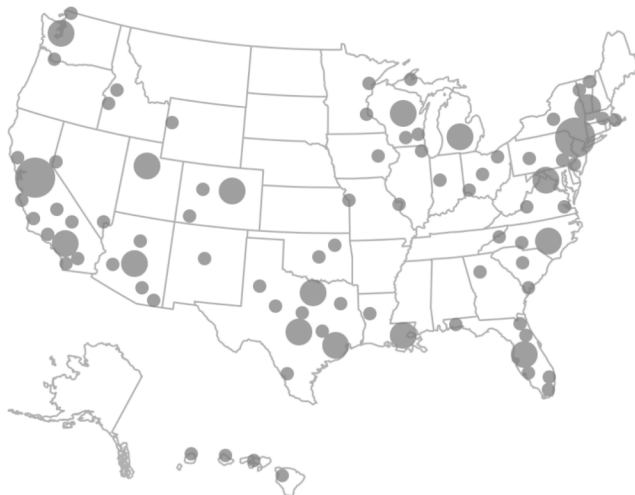


Smarter with every software update

**"I think one of the coolest things about our house is the SPAN Panel. If you have an appliance that is about to fail, this AI will monitor and tell you, 'Hey that motor is using more energy than it should be'. That means it's probably going to fail and you might want to get it serviced."**

— Jonathan Scott  
Property Brothers

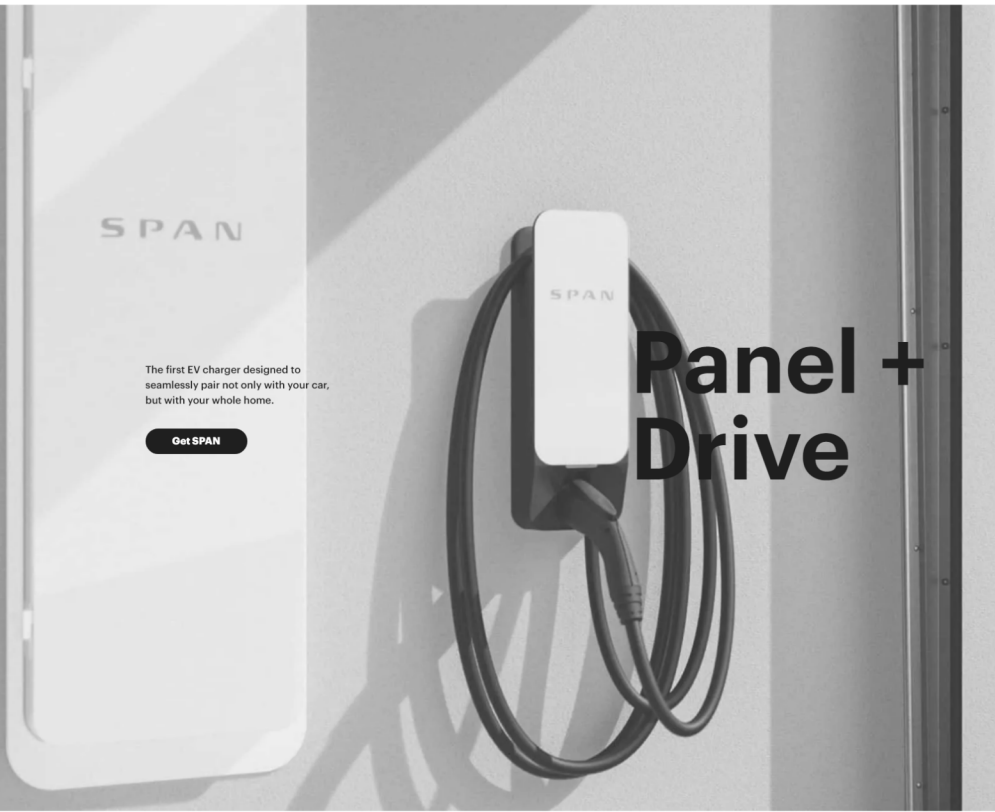
Play video ▶



## Join the electric revolution

Available in all 50 states. SPAN has been installed in homes across the US. Make yours next.

Support



SPAN

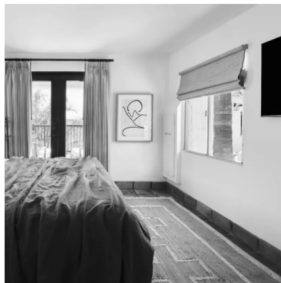
The first EV charger designed to seamlessly pair not only with your car, but with your whole home.

Get SPAN

# Panel + Drive

## Expert installation

We partner with the best installers in the country for an exceptionally smooth experience from start to finish. Get connected to learn more about the SPAN installation process.



# Installers & Partners

SPAN represents an entirely new opportunity for introducing homeowners to the benefits of whole-home electrification.

Get in touch today to learn more about how to offer and install SPAN.

Support

# SPAN Partners

Get SPAN →

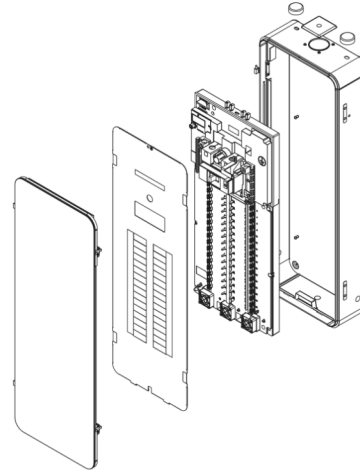
Get in touch today to learn more about how to offer and install SPAN.

Get SPAN

## Panel tech specs

### Highlights

- Internet-connected gateway for wireless communication
- Monitoring and controls for every circuit
- Seamless integration with leading battery storage solutions
- Compatible with standard circuit breakers



### Electrical

- Main breaker & bussing**  
100A - 200A main breaker with 225A bus
- Grid voltage**  
120/240 VAC, 60 Hz
- Circuit breakers**  
Standard 1-in residential breakers
- Control**  
32 controllable circuits per panel
- Energy metering**  
± 0.5% accuracy
- Connectivity**  
Wi-Fi, Ethernet, Cellular LTE

### Installation

- Installation locations**  
Indoor and outdoor rated (NEMA 3R)
- Mounting**  
Wall-mounted, semi-flush, or surface
- Dimensions**  
39.3 x 14.3 x 6.0"
- Warranty**  
10 years

### Certifications

- UL 67, UL 916, UL 869A
- FCC Part 15 Class B
- NEC compliant

Datasheet

## Panel FAQs

- What is SPAN Panel? +
- Why is SPAN more expensive than other electrical panels? +
- Which solar & storage systems work with SPAN? +
- How can I get SPAN? +
- How can SPAN Panel help me avoid an electrical service upgrade? +
- Does SPAN Panel require an internet connection? +
- Do I need more than one SPAN Panel? +
- I'm located outside the United States. Can I get SPAN? +

### Let's stay connected

Subscribe for the latest news and product updates.

Enter email

Subscribe →

Home  
Panel  
Drive

Partner Portal  
Support  
Terms of service

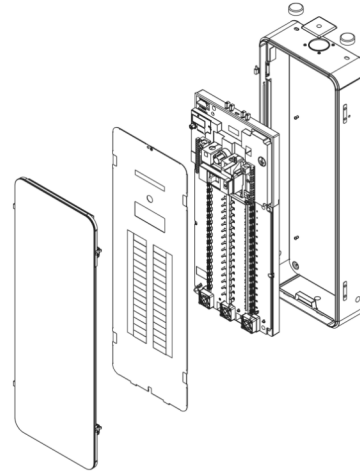
Facebook  
Instagram  
Youtube

Support

## Panel tech specs

### Highlights

- Internet-connected gateway for wireless communication
- Monitoring and controls for every circuit
- Seamless integration with leading battery storage solutions
- Compatible with standard circuit breakers



### Electrical

- Main breaker & bussing**  
100A - 200A main breaker with 225A bus
- Grid voltage**  
120/240 VAC, 60 Hz
- Circuit breakers**  
Standard 1-in residential breakers
- Control**  
32 controllable circuits per panel
- Energy metering**  
± 0.5% accuracy
- Connectivity**  
Wi-Fi, Ethernet, Cellular LTE

### Installation

- Installation locations**  
Indoor and outdoor rated (NEMA 3R)
- Mounting**  
Wall-mounted, semi-flush, or surface
- Dimensions**  
39.3 x 14.3 x 6.0"
- Warranty**  
10 years

### Certifications

- UL 67, UL 916, UL 869A
- FCC Part 15 Class B
- NEC compliant

[Datasheet](#)

## Panel FAQs

- What is SPAN Panel? +
- Why is SPAN more expensive than other electrical panels? +
- Which solar & storage systems work with SPAN? +
- How can I get SPAN? +
- How can SPAN Panel help me avoid an electrical service upgrade? +
- Does SPAN Panel require an internet connection? +
- Do I need more than one SPAN Panel? +
- I'm located outside the United States. Can I get SPAN? +

### Let's stay connected

Subscribe for the latest news and product updates.

[Subscribe →](#)

[Home](#)  
[Panel](#)  
[Drive](#)  
[App](#)  
[Installers & Partners](#)  
[Mission & Careers](#)  
[News](#)

[Partner Portal](#)  
[Support](#)  
[Terms of service](#)  
[Privacy policy](#)  
[Legal](#)

[Facebook](#)  
[Instagram](#)  
[Youtube](#)  
[Twitter](#)

©2022 SPAN.io, Inc. All rights reserved.

[Support](#)