



PRODUCT EDITION

PRODUCT CATALOG



December 2021



Construction Implements Depot, Inc. (CID) was founded in 2003 with a combined experience of over 30 years in skid steer attachments.

Located in Denton, North Carolina, USA, we are committed to providing quality products and services at competitive prices to you, our valued customer.

We specialize in manufacturing high quality, dependable skid steer attachments, tractor loader attachments as well as specialty skid steer attachments.

All CID attachments are warranted to be free from defects in materials and workmanship for a period of (12) months from the initial sale, lease or rental date. For full warranty see page 93.

CID skid steer attachments are available with hook ups for: Universal Skid Steer Quick Attach, Mustang Single Pin, Bobcat 943, Bobcat MT50, 52, 55, Bobcat 463, Boxer Dingo RC30, Old Style Case and Old Style New Holland.

CID tractor attachments are available with hook ups for: John Deere 300, 400, 500, 600, 700 and Global, Euro/Quickie/Alo, and Pin on loaders

Sales

Phone: **336.859.2002**

Email: **sales@cidattachments.com**

Accounting

Phone: **336.859.2002**

Email: **accountsreceivable@cidattachments.com**

Please call us for a shipping quote at 336-859-2002

www.cidattachments.com

1248 N. Main Street • P.O. Box 1230 • Denton, NC 27239

New Products	1	Multi-Purpose Angle Blade	45
Hammers		Land Leveler	46
Skid Steer-Excavators	2	Ripper & Box Scrape Ripper	47
Hammer Spec Page	3	Multi-Purpose Power Rake	48
Brooms		X-treme Root Rake & Severe Root Rake	49
Pickup Broom	4	X-treme Rotary Tiller	50
X-treme Angle Broom	5	Sod Roller	51
Auger Drives		Trencher	
X-treme & Heavy Duty Auger Drives	6	Trencher	52
Backhoes		Hay Equipment	
X-treme Stiff Arm Backhoe	7	Heavy Duty & X-treme Hay Bale Squeezer	53
X-treme Swing Arm Backhoe	8	Double Adjustable Bale Spear	53
Brush Cutters		Single, Double, Triple & Quad Hay Spear	54
Standard Duty Brush Cutter	9	High Back Single, Double & Triple Hay Spear	55
Heavy Duty Brush Cutter	10	Hay Grapple Bucket	56
X-treme Piston Motor Brush Cutter 27-35 & 30-48 gpm	11	Hay Grapple Accumulator	57
X-treme Piston Motor Brush Cutter 17-27 gpm	11	Log Splitters	
X-treme Brush Cutter	12	Inverted & Horizontal Log Splitter (40 ton)	58
Severe Bent Axis Piston Cutter 72" & 78"	13	Manure Forks and Manure Fork Grapple	
Piston Motor Swing Boom Brush Cutter	14	Compact Tractor & X-treme Manure Forks	59
Swing Boom Brush Cutter	15	Compact Tractor & X-treme Manure Fork Grapples	60
Excavator Cutters		Pallet Forks	
X-treme Excavator cutter 14-20 gpm with no mount	16	Sub Compact Pallet Forks & Frame (LC1)	61
X-treme Excavator cutter 20-26 gpm with no mount	16	CT & Standard Duty Pallet Forks & Frame (CL2)	62
X-treme Excavator cutter 24-30 gpm with no mount	16	HD & HD Hydraulic Pallet Forks & Frame (CL2)	63
Standard Excavator cutter 12-17 gpm with no mount	16	HD Walk Through Pallet Forks & Frame (CL2)	64
Standard Excavator cutter 17-24 gpm with no mount	16	X-treme Pallet Forks & Frame (CL3)	65
Severe Excavator cutter	17	Fork Grapple & Mat Grapple	66
Forestry Disc Mulcher		Skid Steer Conversions	
Forestry Disc Mulcher 44"	18	Skid Steer Conversion	67
Forestry Disc Mulcher 60"	19	Excavator Conversions	
4-in-1 Buckets		Excavator Conversion	68
CT, SD, HD, 4-N-1 Buckets	20	Snow Removal Equipment	
Severe & X-treme 4-N-1 Buckets	21	Compact Tractor & Heavy Duty Snow Plow	69
Buckets		X-treme Snow Plow	70
Concrete/Cement Bucket	22	Compact Tractor & X-treme Snow Pusher	71
X-treme High Dump Bucket	23	Snow & Litter Bucket	25
Long Bottom & Low Profile Buckets	24	High Capacity Snow Bucket	26
Snow & Litter Bucket & Turkey Litter Bucket	25	Snow Blower	72
High Capacity Snow Bucket	26	Specialty Equipment	
Track Loader Buckets	27	Receiver Hitch, Receiver Gooseneck Hitch & 3-Point Hitch	73
Compact Tractor & Heavy Duty Tractor Bucket	28	Boom Pole	74
X-treme Duty Tractor Bucket	29	Telescopic Boom Pole	75
Compact Tractor & Standard Duty Rock Bucket	30	Tooth Bar & Universal Skid Steer Quick Attach	76
X-treme & Heavy Duty Rock Bucket	31	Concrete Claw	77
Grapples		Tree & Stump Removal Equipment	
Compact Tractor & Standard Duty Rock Grapple	32	Fixed Tree Saw	78
X-treme & Heavy Duty Rock Grapple	33	Manual Rotating Tree Saw	79
Compact Tractor & Ultra-Light Root Grapple	34	Terminator Tree and Stump Remover	80
Heavy Duty & Standard Duty Root Grapple	35	Tree & Post Puller	81
X-treme & Severe Duty Root Grapple	36	X-treme Tree Shear	82
Compact Tractor & Standard Duty Grapple Rake	37	X-treme Rotating Tree Shear (Hydraulic or Manual)	83
X-treme & HD Grapple Rake	38	Tree Spade	84
Severe Grapple Rake	39	Heavy Duty Stump Bucket & X-treme Stump Bucket	85
Monster Root Grapple	40	X-treme Stump Grapple	86
Grapple Buckets		Mini Skid Steer Attachments	
Monster Grapple Bucket	40	Dingo/Boxer/Ramrod/DitchWitch/Thomas Attachments	
CT, SD, & HD Grapple Buckets	41	MT50/MT52/MT55/Bobcat 463 Attachments	87-92
X-treme Grapple Buckets	42	Warranty	93
Demo Dozer	43	Warranty Service	94
Ground Management Equipment		Pin on diagram	95
X-treme 4-Way & 6-Way Dozer Blade	44		



NEW PRODUCTS

The following are our new products: 2021.
Please call CID for further information.

HYDRAULIC BREAKERS/HAMMERS	2-3
SEVERE EXCAVATOR CUTTER	17
SEVERE 4-N-1 BUCKET	21
STANDARD DUTY ROCK BUCKET	30
STANDARD DUTY ROCK GRAPPLE.....	32
ULTRA ROOT GRAPPLE.....	34
SEVERE ROOT GRAPPLE.....	36
SEVERE GRAPPLE RAKE.....	39

PRODUCTS COMING SOON

- **STUMP GRINDER**
- **DRUM MULCHER**
- **TILT-TACH**
- **CONCRETE MIXER**



The CID Hydraulic Breaker/Hammers are designed to provide the highest impact power available, while reducing stress on your machine. The combination of easy maintenance and repair with lowered operating cost will maximize your investment. The CID Breaker/Hammer can handle all the toughest construction and demolition jobs. All models come with 2x working tools, hose set and gas charging kit, repair toolbox, parts breakdown, and Owners Manual.

- Available in Mini Skid, Skid Steer and Excavator Models
- Ships with Moil and Blunt Tool
- Ships Pre-charged
- Mounting Brackets Included
- Two Year Warranty
- Additional Work Tools Available

Hydraulic Breaker/Hammer

Floating Power Cell and Bolt Free Enclosed Housing

- Prevents carrier boom and arm fatigue failure
- No metal-to-metal contact
- Floating and fully enclosed power cell
- Extended breaker and carrier service life
- Low noise
- Suitable for all applications, particularly trenching, quarry and mining

Advanced Internal Valve System

- Built-in cylinder
- Energy efficiency
- Oil leakage free
- Thicker flesh cylinder block
- Lower maintenance and repair requirements

Work Mode Selector

- Optimizes power and speed for application requirements
- Enables maximum productivity in all applications from light to heavy-duty material breaking
- Available for CBR1000 and above

Large Capacity Accumulator And Diaphragm

- Proactively prevents carrier hydraulic part fatigue failure
- Accelerates striking performance
- Prevents cavitation
- Increases seal and diaphragm service life
- Available for CBR650 and above (excluding skid steer loader breaker)

Tool Pin Hole Protector

- Minimizes direct contact between holes and material to breaker
- Protects tool pin hole damage from debris
- Extends tool pin and working tool wear life
- Prevents hole cover missing and debris/dust entry

Easy Start

- Faster response time to breaker activation signal
- Significantly increases productivity
- Suitable for skid steer loader breaker applications
- Available for CBR500, CBR650 and CBR850

Bottom Plate

- Anti-abrasive high-tensile raw material
- Fully-enclosed lower bushing and front head block
- Minimize debris and dust entering percussion chamber
- Increases service life of housing, tool, lower bushing and front head

Working Tool

- Heat-treated core surface
- Optimum balance for longer wear life and crack prevention
- Variety of conventional and special tool types

Dust Protector

- Percussion chamber protection
- Prolongs lubrication between bushings and working tool
- Prevents contamination
- Increases life of seal, bushings, working tool, piston and cylinder in severe dust applications

Large Size Tool Pin

- Heavy-duty oval shape pins
- Heat-treated and enlarged size
- Longer-wear life
- Maintenance friendly design - bolt free, rubber plugged holes
- Dual pin models available for CBR1000 and above

Bushings

- Differentiated anti-wear raw material
- Higher core hardness
- Extended wear life

Larger Capacity Gas Chamber And Optimum Piston Size

- Hybrid energy-efficient design
- Higher impact power delivery
- Lower oil flow consumption
- Durable piston design - larger surface contacting working tool
- Dampens repercussion vibration force
- Prevents carrier structure fatigue failure

External Gas Charging

- Gas charging from external housing
- No need for housing or lubrication device disassembly
- Lower maintenance time
- Designed for easy maintenance at the job site

Anti-Blank Firing System (Auto-Stop)

- Automatically cuts off hydraulic power when the material is fully broken
- Ensures service life of tool pin, working tool, front head, piston, through bolt and diaphragm even with frequent dry-firing applications such as rental, secondary rock breaking and scaling
- Standard for CBR2200 and above and available for CBR850

Air Supply Channel

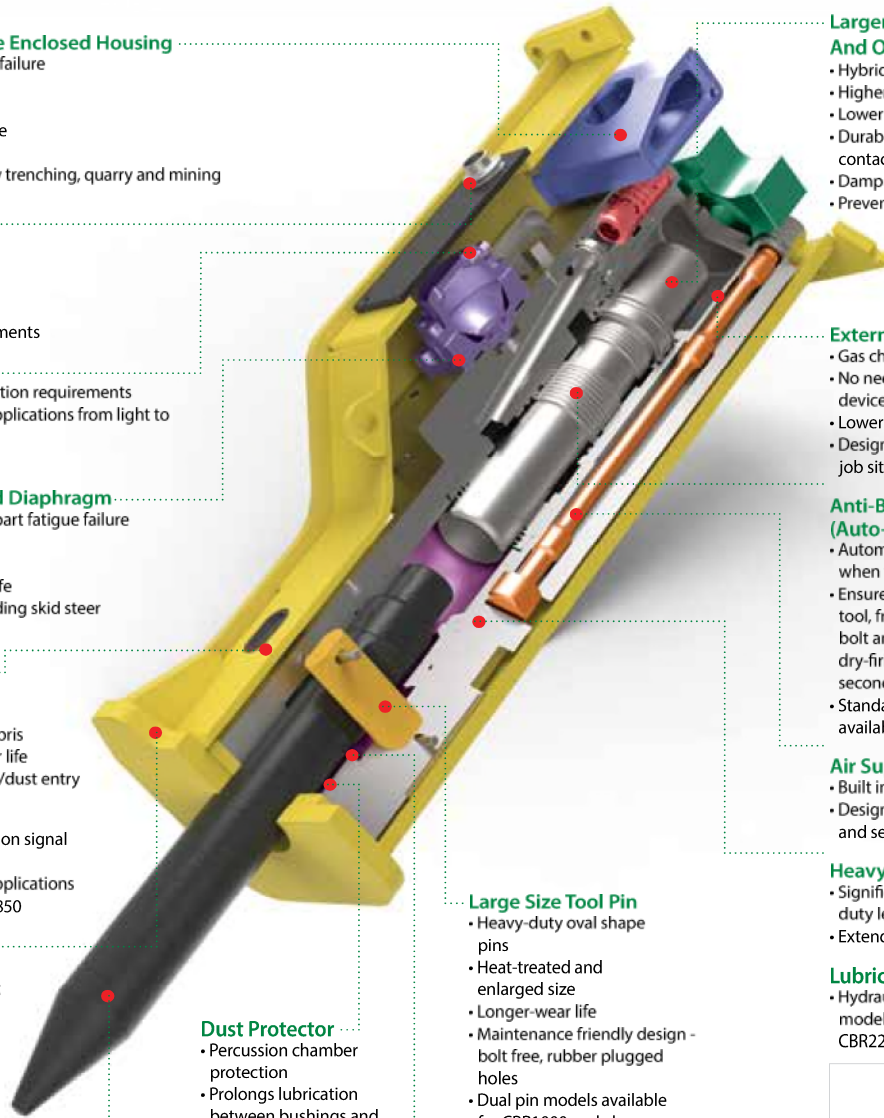
- Built in air supply channel
- Designed for underwater, tunneling and severe dust applications

Heavy-Duty Front Head Block

- Significantly enhanced front head duty level
- Extended front head service life

Lubrication

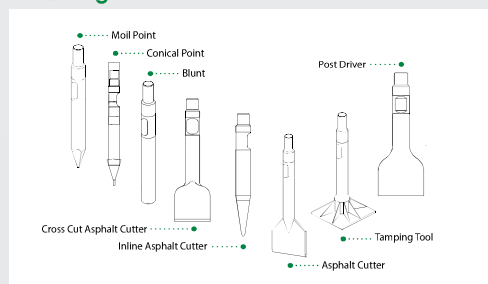
- Hydraulic auto-lube system standard on model CBR1000 and up and optional for CBR225 - CBR850



Ultimate Performance

- Higher impact power
- Higher productivity
- Market-proven quality, durability and lifespan
- Easy maintenance and repair
- Low-fatigue stress on carrier machines
- Reasonable cost
- Lower operating cost
- Higher return on investment

Working Tools



Special Working Tool	Application			
	Asphalt Removal	Compacting	Post Driving	Severe Duty (Rock Removal)
Asphalt Cutter	✓			
Tamping Pad		✓		
Post Driver			✓	

Conventional Working Tool	Application				
	Primary Breaking	Secondary Breaking	Hard Rock Removal	Soft Material and Rock Material	Demolition
Cross Cut Asphalt Cutter	✓		✓	✓	✓
Inline Asphalt Cutter	✓		✓	✓	✓
Moll Point	✓		✓	✓	✓
Conical Point	✓		✓	✓	✓
Blunt Point		✓	✓		✓

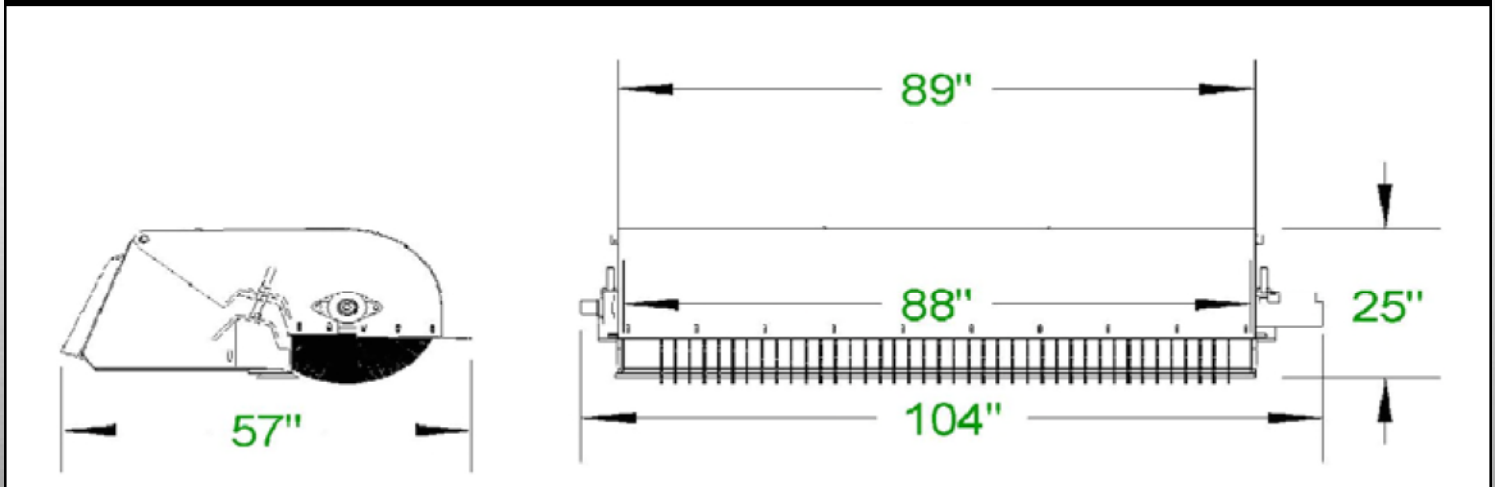
✓ Highly Recommended



The CID Pickup Broom allows for added efficiency while cleaning. Whether sweeping dirt, light snow, or other debris; our Pickup Broom will easily tackle the job. The 8" Hub and 26" wafers sweep material into the bucket, and the manual hinging broom allows for easy transfer and disposal. Our Pickup Broom has adjustable height to allow for different scenarios and wear.

- Available in poly, wire, or mix
- Available in 72" or 84" Widths

Pickup Broom Specs



Procedures for Obtaining Warranty Service

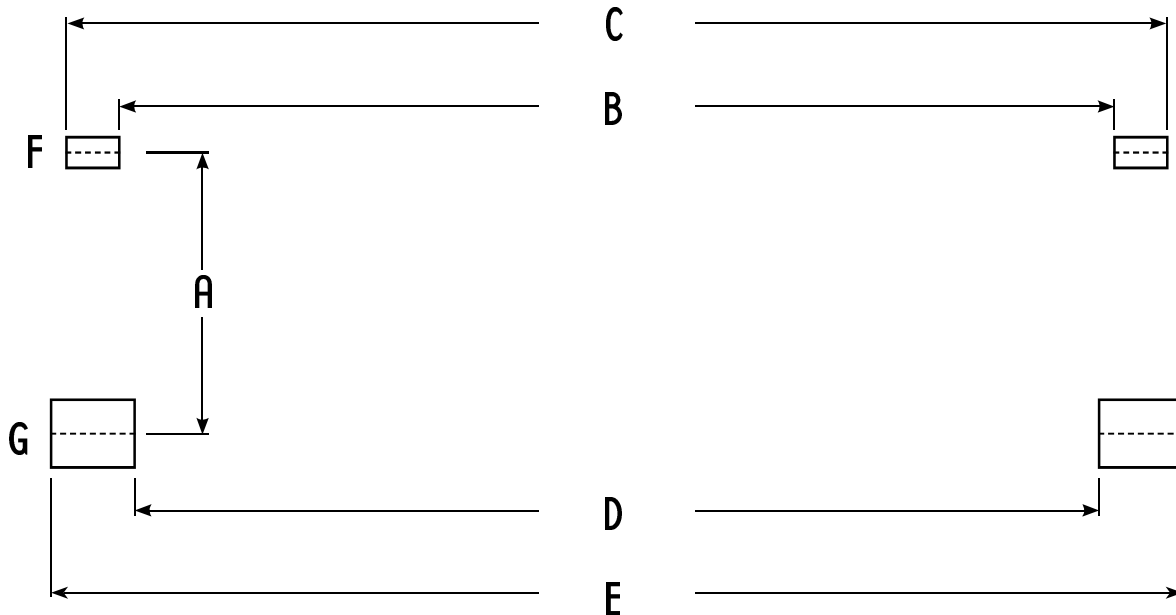
RGA (Returning Goods Authorization) Policy:

If repairs are required, CID must obtain a RGA number from the Manufacturer of the defective part and proof of purchase. RGA and services are rendered by CID only. Any responsibility of shipping costs on any item returned for repair is at the discretion of CID. All returned parts must have a RGA number written clearly on the outside of the package along with a Service Request Form and the defective part. No COD packages will be accepted. No package will be accepted without a RGA number written on the outside of the package. RGA numbers are only valid for 30 days from the date of issue. All replacement parts shipped out will need a PO# from the original CID customer. If the Defective part is rendered non-warranty the PO# will be invoiced for the replacement part.. Should you have any problems with your Attachments, please follow these procedures to obtain the service:

1. Call the Warranty Department (336) 859-2002 ext 215. Photo's serial and model #'s of the attachment and parts in question will need to be obtained with a description of the problem.
2. Upon a warranted issue Go to cidattachments.com, click on the warranty tab and fill in the warranty claim form. CID will retain a RGA# from the manufacturer of the defective part. If all information above is fulfilled the manufacturer will issue a RGA#
3. A PO# is required from the original CID customer. PO#'s will only be invoiced in the event that the defective part is un-warranted.
4. CID will ship a replacement part with a service request form and RGA #. There will be a call tag with the Manufactures address and instructions for returning the defective part.
5. Once the defective part is warranted by the manufacturer. CID will be issued a credit and the PO# will be void. If the manufacturer finds that the defective part is not warranted the PO# will be invoiced for the replacement part.
6. In the event that renders the attachment be returned to CID for repair, CID will make arrangements for pick up and return. Repairs will be performed by CID qualified technicians. Non-warranted issues will be discussed and repairs will be performed upon agreement of the owner, and payment for parts and labor will be issued.

PIN DIAGRAM

- _____ A = boom to cylinder pin (center to center dimension)
- _____ B = cylinder to cylinder (inside dimension)
- _____ C = cylinder to cylinder (outside dimension)
- _____ D = boom to boom (inside dimension)
- _____ E = boom to boom (outside dimension)
- _____ F = top pin diameter
- _____ G = bottom pin diameter



Machine make _____

Model _____



1248 N. Main Street • P.O. Box 1230 • Denton, N.C. 27239
 Phone: 336.859.2002 • Fax: 336.859.0800
 info@cidattachments.com • www.cidattachments.com

Bucket Capacity

1/1/2020

ALL VOLUMES ARE APPROXIMATIONS (volumes are struck volumes i.e. not heap volumes)

PG	SKU #	PRODUCT	volume (ft ³)	volume (yd ³)
BUCKETS				
4-N-1 BUCKETS				
16	CT4N1-48	COMPACT TRACTOR 4-N-1 BUCKET, 48"	6.74	0.25
16	CT4N1-54	COMPACT TRACTOR 4-N-1 BUCKET, 54"	7.59	0.28
16	CT4N1-60	COMPACT TRACTOR 4-N-1 BUCKET, 60"	8.43	0.31
16	SD4N1-60	SD 4-N-1 BUCKET, 60"	8.43	0.31
16	SD4N1-66	SD 4-N-1 BUCKET, 66"	11.84	0.44
16	SD4N1-72	SD 4-N-1 BUCKET, 72"	12.92	0.48
16	HD4N1-63	HD 4-N-1 BUCKET, 63"	11.30	0.42
16	HD4N1-66	HD 4-N-1 BUCKET, 66"	11.84	0.44
16	HD4N1-72	HD 4-N-1 BUCKET, 72"	12.92	0.48
16	HD4N1T-63	HD 4-N-1 BUCKET W/ TEETH, 63"	11.30	0.42
16	HD4N1T-66	HD 4-N-1 BUCKET W/ TEETH, 66"	11.84	0.44
16	HD4N1T-72	HD 4-N-1 BUCKET W/ TEETH, 72"	12.92	0.48
16	X4N1-72	X-TREME 4-N-1 BUCKET, 72"	16.98	0.63
16	X4N1-78	X-TREME 4-N-1 BUCKET, 78"	18.39	0.68
16	X4N1-81	X-TREME 4-N-1 BUCKET, 81"	19.10	0.71
16	X4N1-84	X-TREME 4-N-1 BUCKET, 84"	19.81	0.73
16	X4N1T-72	X-TREME 4-N-1 W/ TEETH, 72"	16.98	0.63
16	X4N1T-78	X-TREME 4-N-1 W/ TEETH, 78"	18.39	0.68
16	X4N1T-81	X-TREME 4-N-1 W/ TEETH, 81"	19.10	0.71
16	X4N1T-84	X-TREME 4-N-1 W/ TEETH, 84"	19.81	0.73
HIGH DUMP BUCKETS				
18	HDB72	HIGH DUMP BUCKET, 72"	25.86	0.96
18	HDB84	HIGH DUMP BUCKET, 84"	30.96	1.15
18	HDB96	HIGH DUMP BUCKET, 96"	36.07	1.34
LONG BOTTOM BUCKETS				
19	LBB63	LB BUCKET, 63"	14.42	0.53
15	LBB66	LB BUCKET, 66"	15.11	0.56



1248 N. Main Street • P.O. Box 1230 • Denton, N.C. 27239
 Phone: 336.859.2002 • Fax: 336.859.0800
 info@cidattachments.com • www.cidattachments.com

PG	SKU #	PRODUCT	volume (ft^3)	volume (yd^3)
19	LBB72	LB BUCKET, 72"	16.48	0.61
19	LBB78	LB BUCKET, 78"	17.86	0.66
19	LBB81	LB BUCKET, 81"	18.54	0.69
19	LBB84	LB BUCKET, 84"	19.23	0.71
19	LBB90	LB BUCKET, 90"	20.60	0.76
19	LBB96	LB BUCKET, 96"	21.98	0.81
19	LBBT63	LB BUCKET W/ TEETH, 63"	14.42	0.53
19	LBBT66	LB BUCKET W/ TEETH, 66"	15.11	0.56
19	LBBT72	LB BUCKET W/ TEETH, 72"	16.48	0.61
19	LBBT78	LB BUCKET W/ TEETH, 78"	17.86	0.66
19	LBBT81	LB BUCKET W/ TEETH, 81"	18.54	0.69
19	LBBT84	LB BUCKET W/ TEETH, 84"	19.23	0.71
19	LBBT90	LB BUCKET W/ TEETH, 90"	20.60	0.76
19	LBBT96	LB BUCKET W/ TEETH, 96"	21.98	0.81
		LOW PROFILE BUCKETS		
19	LPB60	LP BUCKET, 60"	11.41	0.42
19	LPB63	LP BUCKET, 63"	11.98	0.44
19	LPB66	LP BUCKET, 66"	12.55	0.46
19	LPB72	LP BUCKET, 72"	13.07	0.51
19	LPB78	LP BUCKET, 78"	14.84	0.55
19	LPB81	LP BUCKET, 81"	15.41	0.57
19	LPB84	LP BUCKET, 84"	15.98	0.59
19	LPB90	LP BUCKET, 90"	17.12	0.63
19	LPB96	LP BUCKET, 96"	18.26	0.68
19	LPBT60	LP BUCKET W/ TEETH, 60"	11.41	0.42
19	LPBT63	LP BUCKET W/ TEETH, 63"	11.98	0.44
19	LPBT66	LP BUCKET W/ TEETH, 66"	12.55	0.46
19	LPBT72	LP BUCKET W/ TEETH, 72"	13.07	0.51
19	LPBT78	LP BUCKET W/ TEETH, 78"	14.84	0.55
19	LPBT81	LP BUCKET W/ TEETH, 81"	15.41	0.57
19	LPBT84	LP BUCKET W/ TEETH, 84"	15.98	0.59



1248 N. Main Street • P.O. Box 1230 • Denton, N.C. 27239
 Phone: 336.859.2002 • Fax: 336.859.0800
 info@cidattachments.com • www.cidattachments.com

PG	SKU #	PRODUCT	volume (ft^3)	volume (yd^3)
19	LPBT90	LP BUCKET W/ TEETH, 90"	17.12	0.63
19	LPBT96	LP BUCKET W/ TEETH, 96"	18.26	0.68
		ROCK BUCKETS		
25	HDRB63	HEAVY DUTY ROCK BUCKET, 63"	11.87	0.44
25	HDRB66	HEAVY DUTY ROCK BUCKET, 66"	12.43	0.46
25	HDRB72	HEAVY DUTY ROCK BUCKET, 72"	13.56	0.50
25	HDRB78	HEAVY DUTY ROCK BUCKET, 78"	14.69	0.55
25	HDRB81	HEAVY DUTY ROCK BUCKET, 81"	15.26	0.57
25	HDRBT63	HEAVY DUTY ROCK BUCKET W/ TEETH, 63"	11.87	0.44
25	HDRBT66	HEAVY DUTY ROCK BUCKET W/ TEETH, 66"	12.43	0.46
25	HDRBT72	HEAVY DUTY ROCK BUCKET W/ TEETH, 72"	13.56	0.50
25	HDRBT78	HEAVY DUTY ROCK BUCKET W/ TEETH, 78"	14.69	0.54
25	HDRBT81	HEAVY DUTY ROCK BUCKET W/ TEETH, 81"	15.26	0.57
26	XDRB66	X-TREME DUTY ROCK BUCKET, 66"	16.85	0.62
26	XDRB72	X-TREME DUTY ROCK BUCKET, 72"	19.42	0.72
26	XDRB78	X-TREME DUTY ROCK BUCKET, 78"	21.04	0.78
26	XDRB81	X-TREME DUTY ROCK BUCKET, 81"	21.85	0.81
26	XDRB84	X-TREME DUTY ROCK BUCKET, 84"	22.66	0.84
		SNOW-N-LITTER BUCKETS		
20	SNLB63	SNOW-N-LITTER BUCKET, 63"	20.66	0.77
20	SNLB66	SNOW-N-LITTER BUCKET, 66"	21.64	0.80
20	SNLB72	SNOW-N-LITTER BUCKET, 72"	23.61	0.87
20	SNLB78	SNOW-N-LITTER BUCKET, 78"	25.59	0.95
20	SNLB81	SNOW-N-LITTER BUCKET, 81"	26.57	0.98
20	SNLB84	SNOW-N-LITTER BUCKET, 84"	27.56	1.02
20	SNLB90	SNOW-N-LITTER BUCKET, 90"	29.53	1.09
20	SNLB96	SNOW-N-LITTER BUCKET, 96"	31.50	1.17
20	SNLB108	SNOW-N-LITTER BUCKET, 108"	35.45	1.31
		HIGH CAPACITY SNOW BUCKETS		
21	HCSB72	HIGH CAPACITY SNOW BUCKET, 72"	28.48	1.05
21	HCSB78	HIGH CAPACITY SNOW BUCKET, 78"	30.90	1.14
21	HCSB84	HIGH CAPACITY SNOW BUCKET, 84"	33.32	1.23



1248 N. Main Street • P.O. Box 1230 • Denton, N.C. 27239
 Phone: 336.859.2002 • Fax: 336.859.0800
 info@cidattachments.com • www.cidattachments.com

PG	SKU #	PRODUCT	volume (ft^3)	volume (yd^3)
21	HCSB96	HIGH CAPACITY SNOW BUCKET, 96	38.16	1.41
21	HCSB102	HIGH CAPACITY SNOW BUCKET, 102"	40.58	1.50
21	HCSB108	HIGH CAPACITY SNOW BUCKET, 108"	43.00	1.59
21	HCSB120	HIGH CAPACITY SNOW BUCKET, 120"	47.84	1.77
		TRACK LOADER BUCKETS		
22	TAKB72	X-TREME TRACK LOADER BUCKET, 72"	18.16	0.67
22	TAKB78	X-TREME TRACK LOADER BUCKET, 78"	19.67	0.73
22	TAKB81	X-TREME TRACK LOADER BUCKET, 81"	20.43	0.76
22	TAKB84	X-TREME TRACK LOADER BUCKET, 84"	21.19	0.78
22	TAKB90	X-TREME TRACK LOADER BUCKET, 90"	20.49	0.76
22	TAKB96	X-TREME TRACK LOADER BUCKET, 96"	21.86	0.81
22	ITAKB72	INDUSTRIAL TRACK LOADER BUCKET, 72"	16.54	0.61
22	ITAKB78	INDUSTRIAL TRACK LOADER BUCKET, 78"	17.92	0.66
22	ITAKB81	INDUSTRIAL TRACK LOADER BUCKET, 81"	18.61	0.69
22	ITAKB84	INDUSTRIAL TRACK LOADER BUCKET, 84"	19.30	0.71
22	ITAKB90	INDUSTRIAL TRACK LOADER BUCKET, 90"	20.68	0.77
22	ITAKB96	INDUSTRIAL TRACK LOADER BUCKET, 96"	22.05	0.82
		TRACTOR BUCKETS		
23	CTRAC60	COMPACT TRACTOR BUCKET, 60"	15.13	0.56
23	CTRAC63	COMPACT TRACTOR BUCKET, 63"	15.89	0.59
23	CTRAC66	COMPACT TRACTOR BUCKET, 66"	16.65	0.62
23	CTRAC72	COMPACT TRACTOR BUCKET, 72"	18.16	0.67
23	TRAC63	HEAVY DUTY TRACTOR BUCKET, 63"	15.89	0.59
23	TRAC66	HEAVY DUTY TRACTOR BUCKET, 66"	16.65	0.62
23	TRAC72	HEAVY DUTY TRACTOR BUCKET, 72"	18.16	0.67
23	TRAC78	HEAVY DUTY TRACTOR BUCKET, 78"	19.67	0.73
23	TRAC81	HEAVY DUTY TRACTOR BUCKET, 81"	20.43	0.76
23	TRAC84	HEAVY DUTY TRACTOR BUCKET, 84"	21.19	0.78
24	XTRAC72	X-TREME TRACTOR BUCKET, 72"	21.65	0.80
24	XTRAC84	X-TREME TRACTOR BUCKET, 84"	25.26	0.94
24	XTRAC96	X-TREME TRACTOR BUCKET, 96"	28.17	1.07



1248 N. Main Street • P.O. Box 1230 • Denton, N.C. 27239
 Phone: 336.859.2002 • Fax: 336.859.0800
 info@cidattachments.com • www.cidattachments.com

PG	SKU #	PRODUCT	volume (ft^3)	volume (yd^3)
24	XTRAC108	X-TREME TRACTOR BUCKET, 108"	32.48	1.20
		TURKEY LITTER BUCKETS		
20	TLB78	TURKEY LITTER BUCKET, 78"	48.30	1.79
20	TLB84	TURKEY LITTER BUCKET, 84"	52.02	1.93
20	TLB96	TURKEY LITTER BUCKET, 96"	59.47	2.20
20	TLB108	TURKEY LITTER BUCKET, 108"	66.91	2.48
		MINI BUCKETS		
	DLPB44	DINGO LOW PROFILE BUCKET, 44"	5.95	.2
	DSNLB44	DINGO SNOW AND LITTER BUCKET, 44"	8.38	.31
	DSNLB48	DINGO SNOW AND LITTER BUCKET, 48"	9.16	.34
	MTSNL48	MT SNOW AND LITTER BUCKET, 48"	9.16	.34



Please view our full line of skid-steer attachment solutions at:

www.cidattachments.com

1248 N. Main Street • P.O. Box 1230 • Denton, NC 27239

Phone: 336.859.2002 • Fax: 336.859.0800

sales@cidattachments.com • www.cidattachments.com